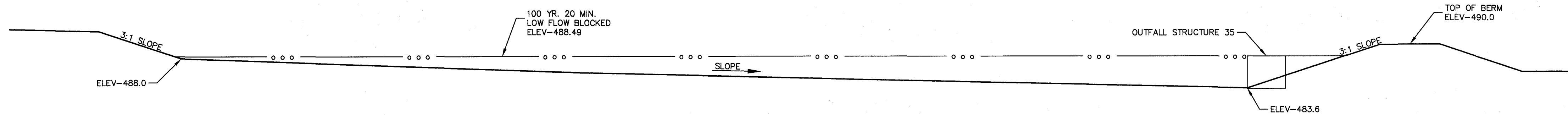
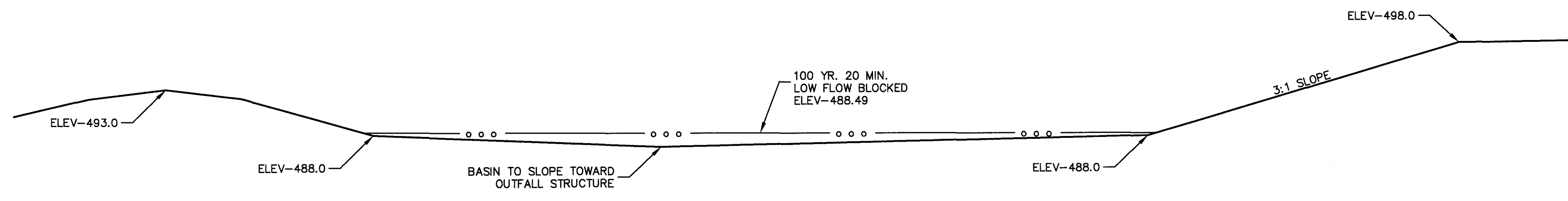


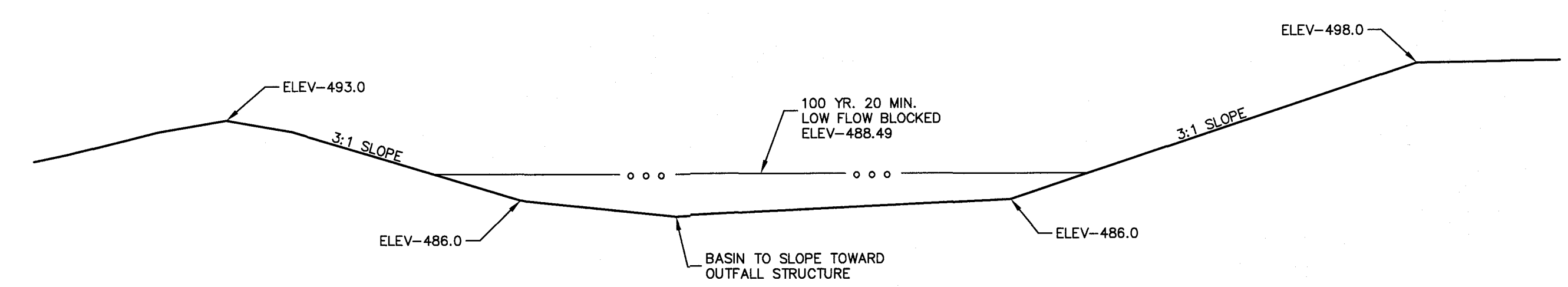
ISSUE	REMARKS/DATE
1	7/2/2018 INITIAL SUBMITTAL
2	8/9/2018 REVISED PER CITY COMMENTS
3	8/30/2018 REVISED PER CITY COMMENTS



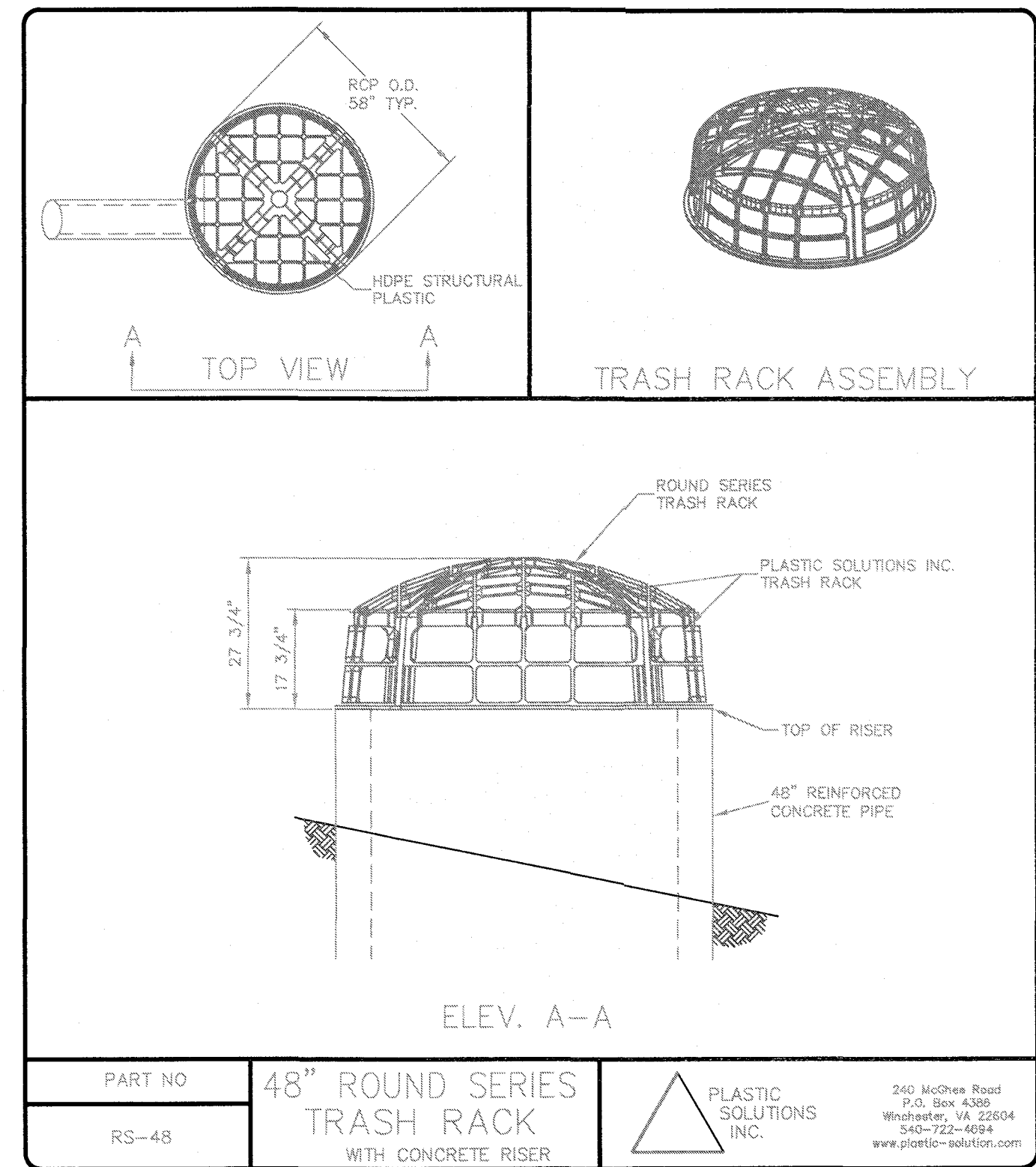
SECTION B1-B1
SCALE: 1"=10'



SECTION B2-B2
SCALE: 1"=10'



SECTION B3-B3
SCALE: 1"=10'



StormRax™
FLAT ROOF RECTANGULAR RACKS/WEIERS (STANDARD SIZES)
DIMENSIONS IN INCHES

Width (A)	11 3/4	16 3/4	22 1/2	27 1/2	32 7/8	38 1/4	43 5/8	49	54 3/8	59 3/4	65 1/2
CODE	02	03	04	05	06	07	08	09	10	11	12
Length (B)	11 3/8	16 3/4	22 1/8	27 1/2	32 7/8	38 1/4	43 5/8	49	54 3/8	59 3/4	65 1/8
CODE	02	03	04	05	06	07	08	09	10	11	12
Height (C)	7 1/2	12 7/8									
CODE	01	02									

AVAILABLE OPTIONS:
 1/2" CHANNEL STEEL CROSS BRACING
 REMOVABLE ACCESS HATCH
 HDPE ANTI-VORTEX PLATE

Plastic Solutions, Inc.
 P.O. Box 4386, Winchester, VA 22604
 238 McAfee Rd., Winchester, VA 22603
 (877) 877-5727 phone
 (540) 722-2219 fax
 http://www.plasticsolutions.com

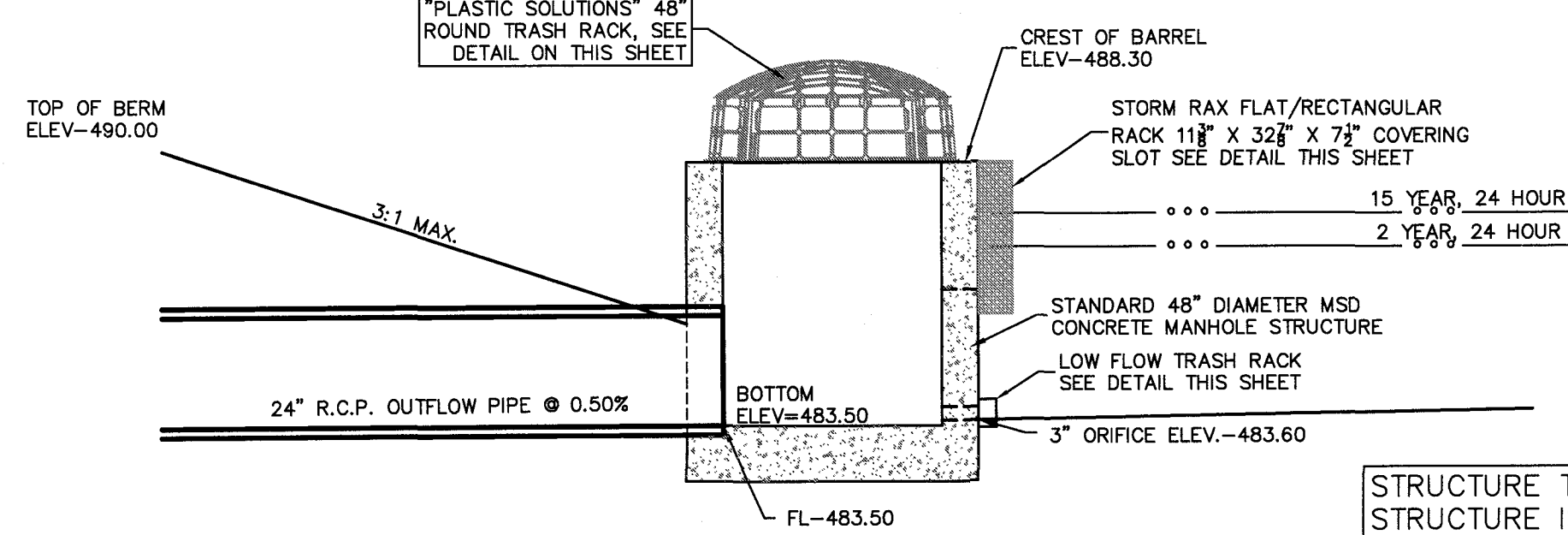
7" x 7" STAINLESS STEEL GUARD (OR APPROVED EQUAL)
 AVAILABLE FROM "WILDLIFE CONTROL SUPPLIES"
 877-684-7322
 WWW.WILDLIFECONTROLSUPPLIES.COM
 ACTUAL DIMENSIONS - 6'-2" W x 6'-2" L x 4'-2" H
 MESH SIZE - 1" STAINLESS STEEL MESH

TRASH RACK TO BE SECURED TO FRONT OF STRUCTURE AROUND LOW FLOW ORIFICE AT A MINIMUM OF FOUR LOCATIONS WITH SELF-TAPPING CONCRETE SCREWS OR CONCRETE LAG SHIELDS AND BOLTS

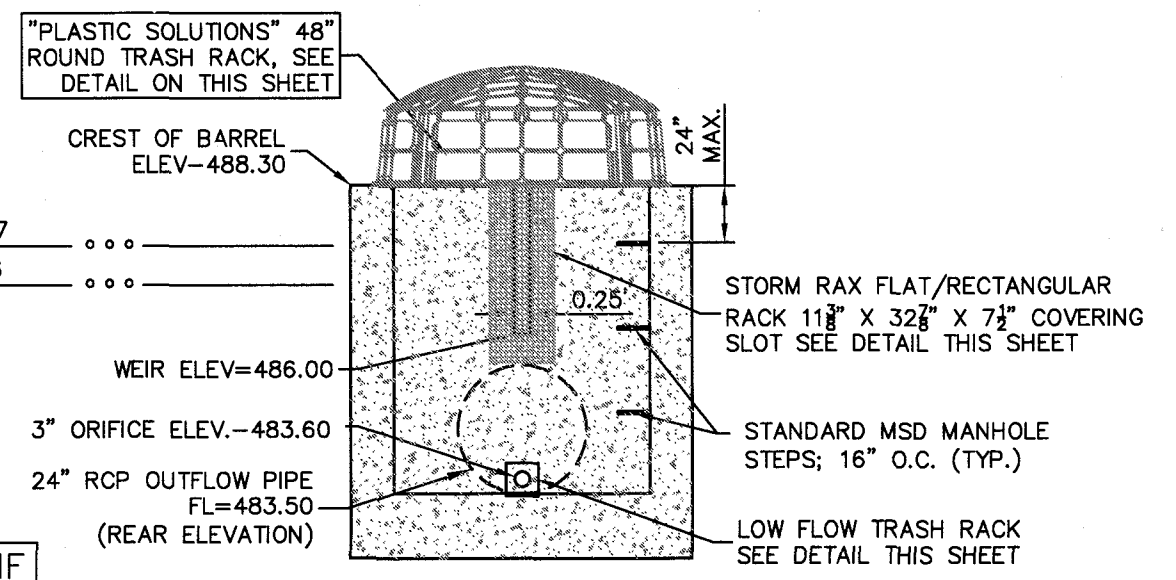
OS #35 (BASIN B) LOW FLOW TRASH RACK DETAIL

OUTFALL STRUCTURE #35 (BASIN B)

2 YEAR, 24 HOUR STORM HW ELEV.	= 486.96
15 YEAR, 24 HOUR STORM HW ELEV.	= 487.57
25 YEAR, 24 HOUR STORM HW ELEV.	= 487.59
100 YEAR, 24 HOUR STORM HW ELEV.	= 488.34
100 YEAR, 24 HOUR STORM LOW FLOW BLOCKED HW ELEV.	= 488.49
BERM ELEV. (MIN.)	= 490.00
FREEBOARD	= 1.51'

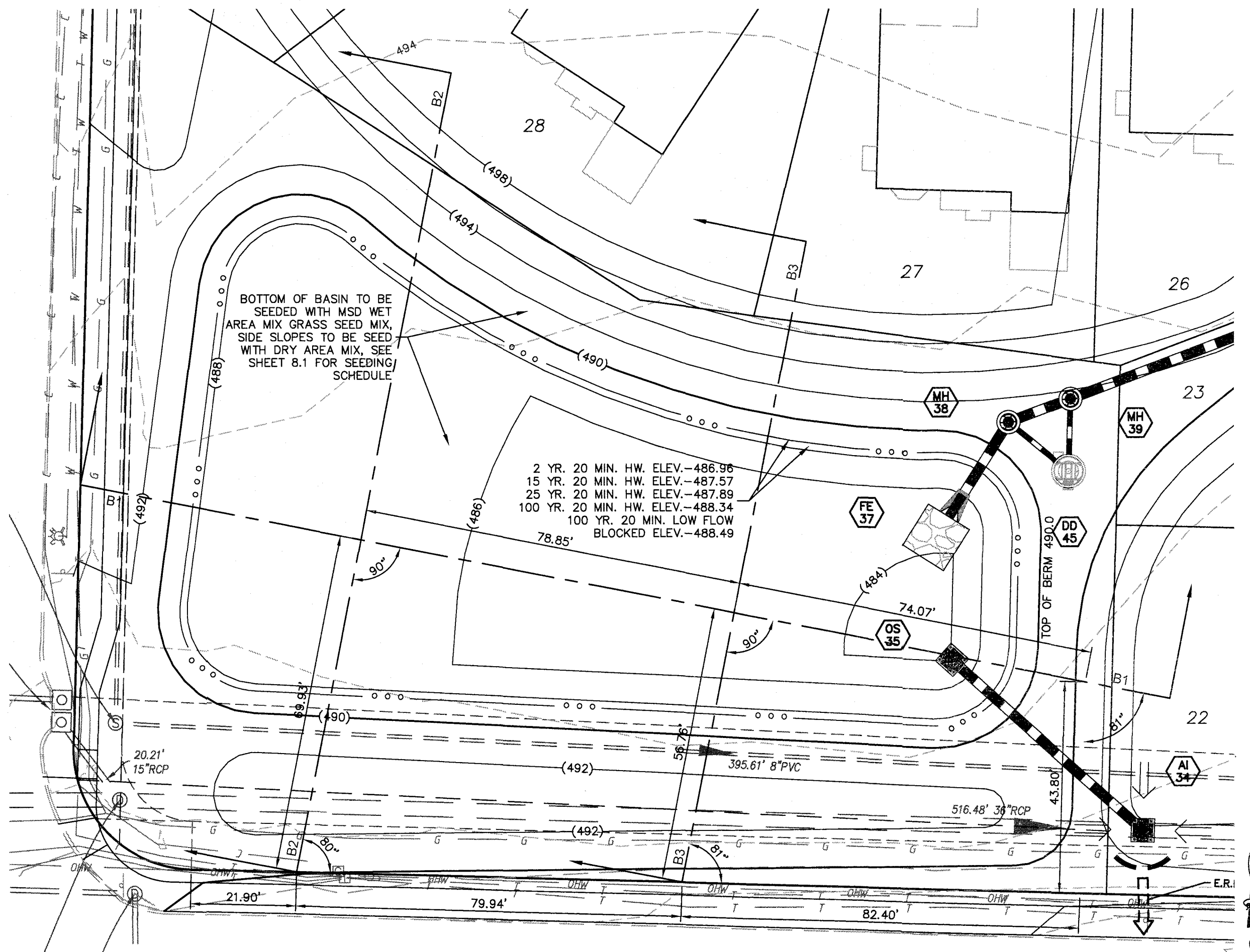


OUTFALL STRUCTURE #35 (BASIN B) SIDE VIEW
SCALE: 1"=20'



OUTFALL STRUCTURE #35 (BASIN B) FRONT VIEW
SCALE: 1"=20'

STRUCTURE TO BE PRECAST. IF STRUCTURE IS NOT PRECAST A PERMIT WILL BE REQUIRED FROM BUILDING DIVISION
 SHOP DRAWINGS MUST BE SUBMITTED ALONG WITH PERMIT APPLICATION IF REQUIRED



BASIN B
SCALE: 1"=20'

PROJECT TITLE

PEARL VISTA
OF FALLOON, MISSOURI

THE STERLING CO.
ENGINEERS & SURVEYORS
 5055 New Baumgartner Road
 St. Louis, Missouri 63129
 Ph 314-487-0440 Fax 314-487-8944
 www.sterling-eng-sur.com
 Corporate Certificate of Authority #001348



Date: 8/30/2018
 Michael G. Boerding
 License No. MO E-28643
 Professional Engineer

ELITE PEARL VISTA, LLC
 5091 BAUMGARTNER ROAD
 ST. LOUIS, MO 63129
 Ph. 314-487-6717

DETENTION BASIN DETAILS

P+Z No. 18-000083
 City No.
 Date: Aug. 30, 2018
 Job No. 17-08-193
 Page No.

8.2

IMP