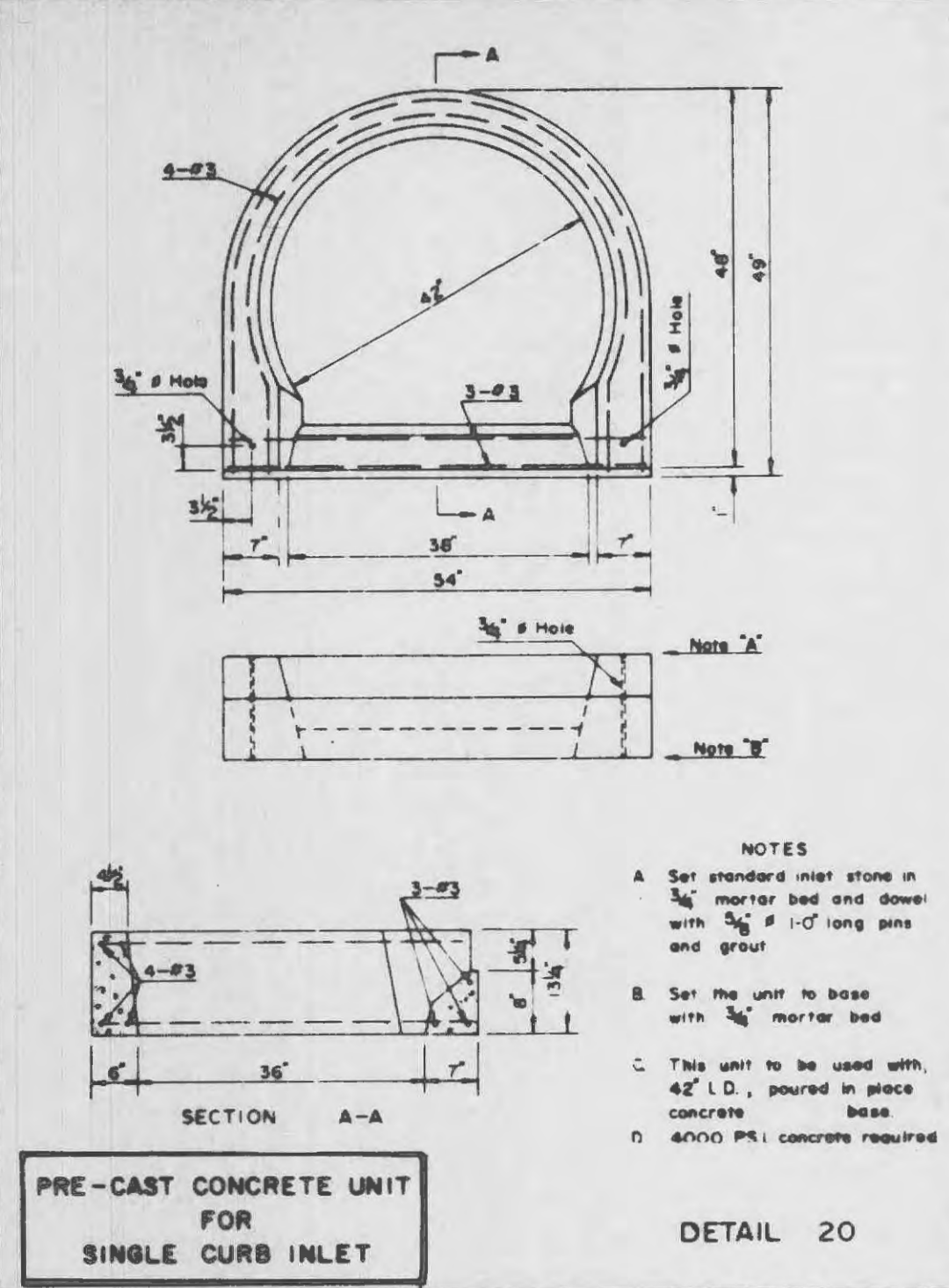
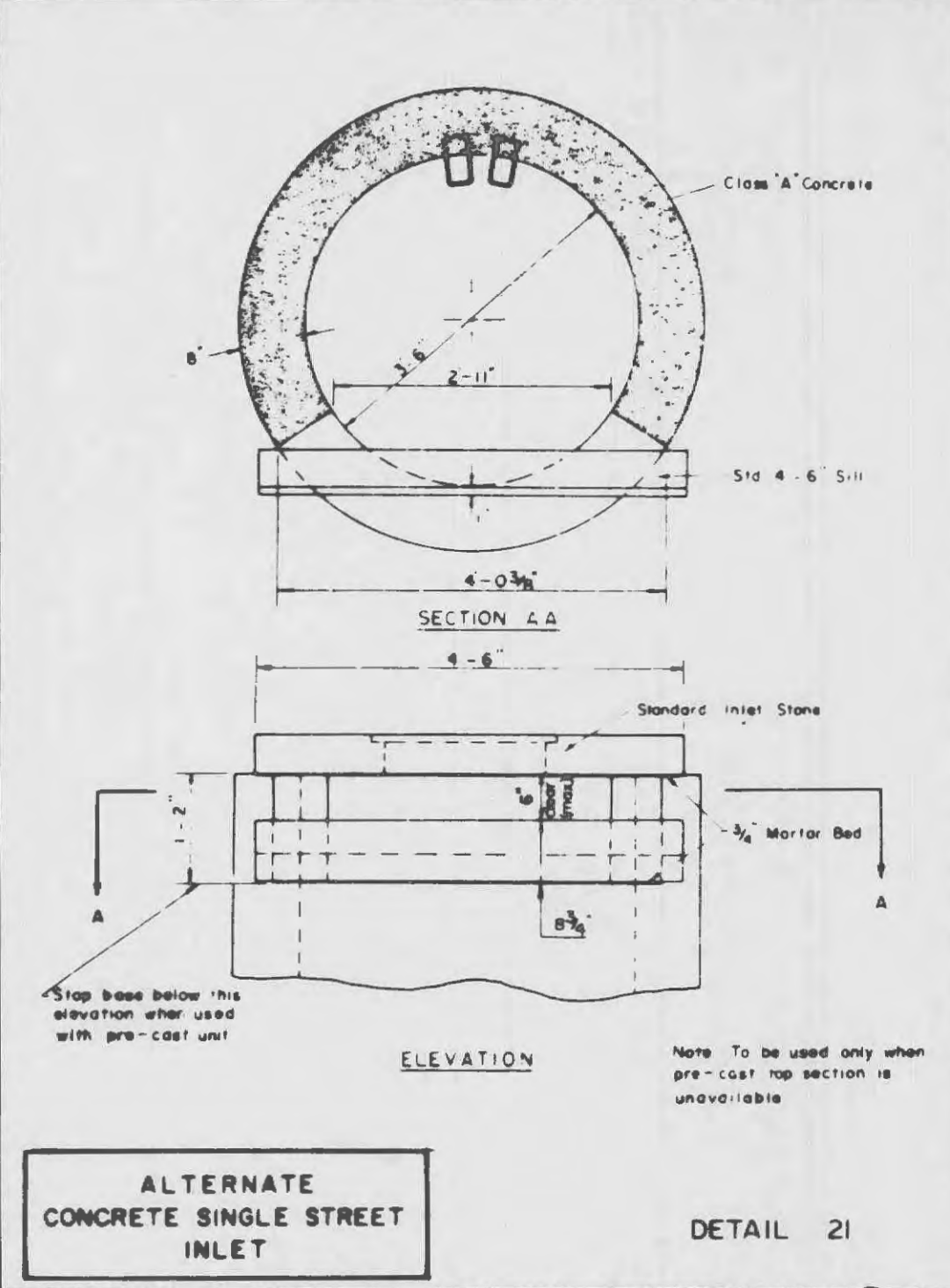


**TRAPPED STREET INLET** DETAIL 19



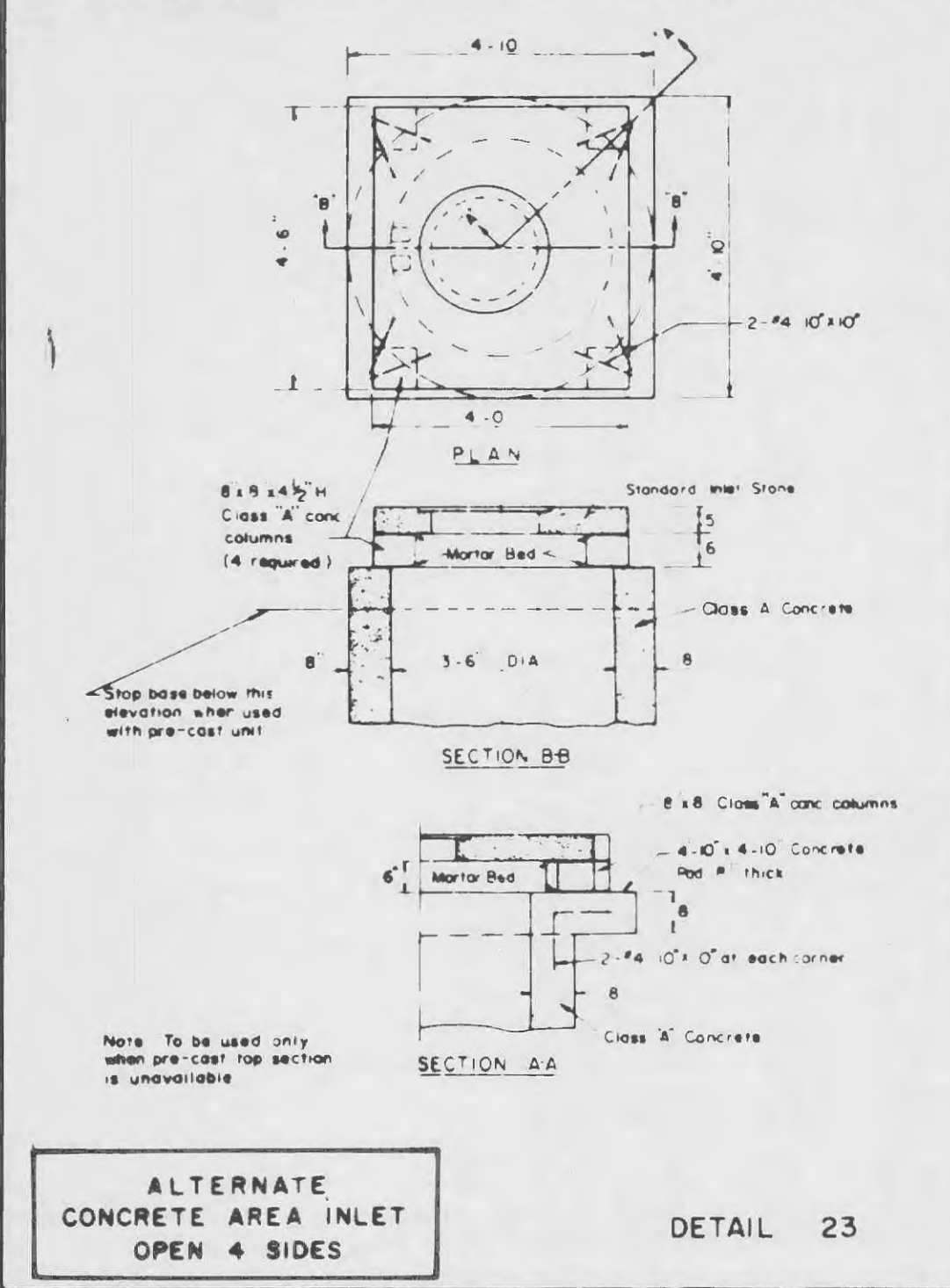
**PRE-CAST CONCRETE UNIT FOR SINGLE CURB INLET** DETAIL 20



**ALTERNATE CONCRETE SINGLE STREET INLET** DETAIL 21



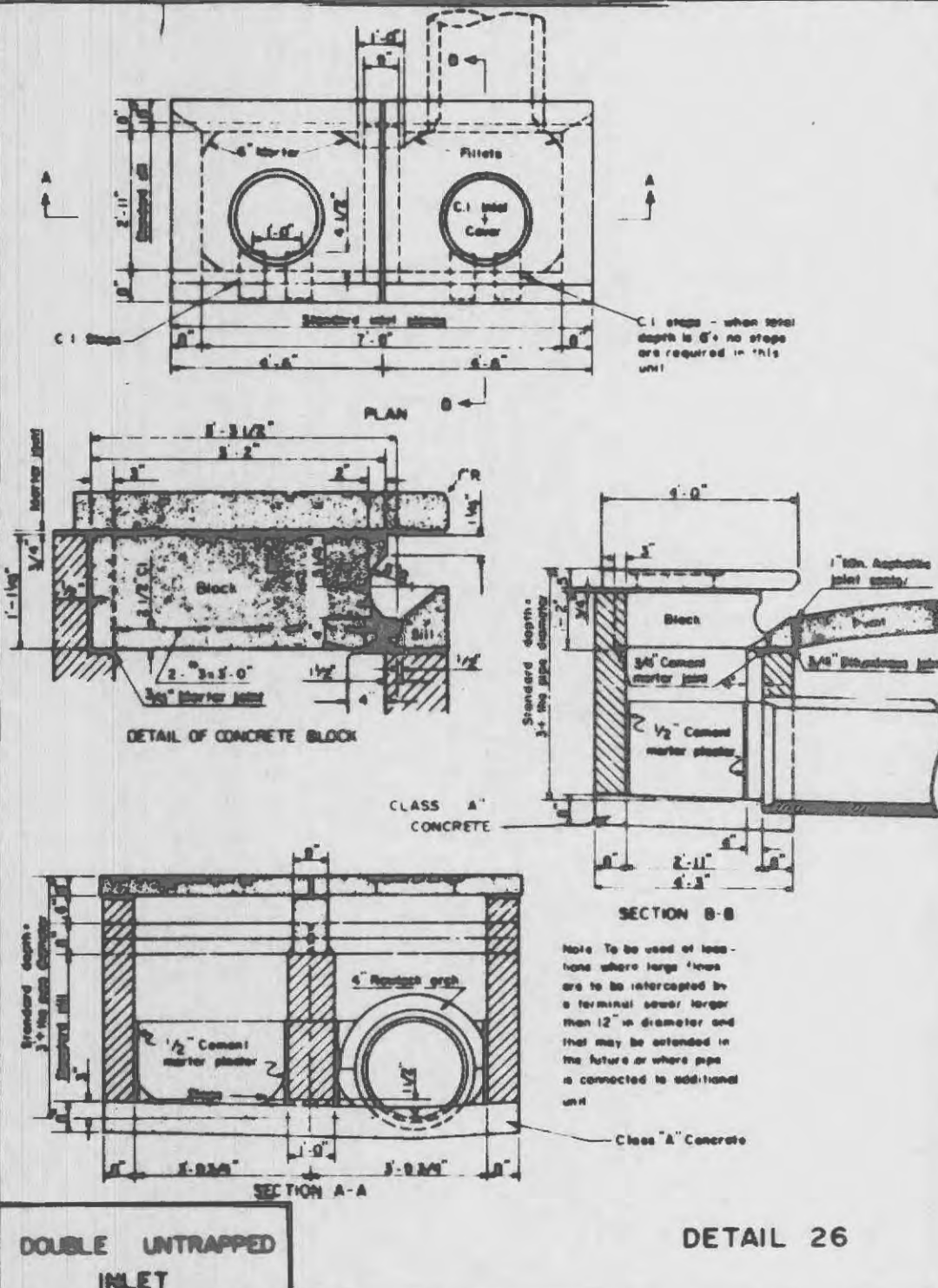
**ALTERNATE CONCRETE AREA INLET OPEN 4 SIDES** DETAIL 23



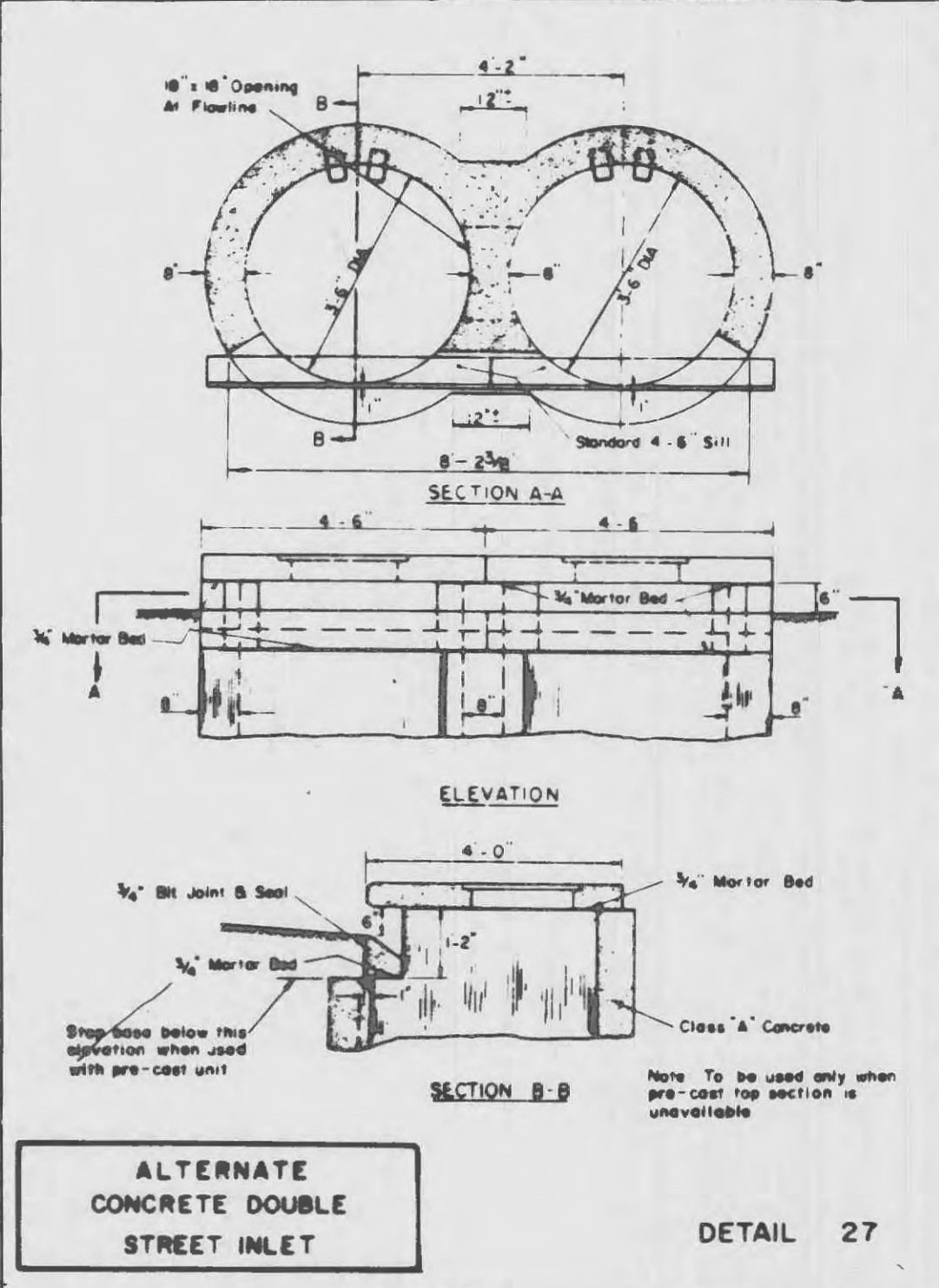
**PRE-CAST CONCRETE UNIT FOR 4 WAY AREA INLET** DETAIL 24



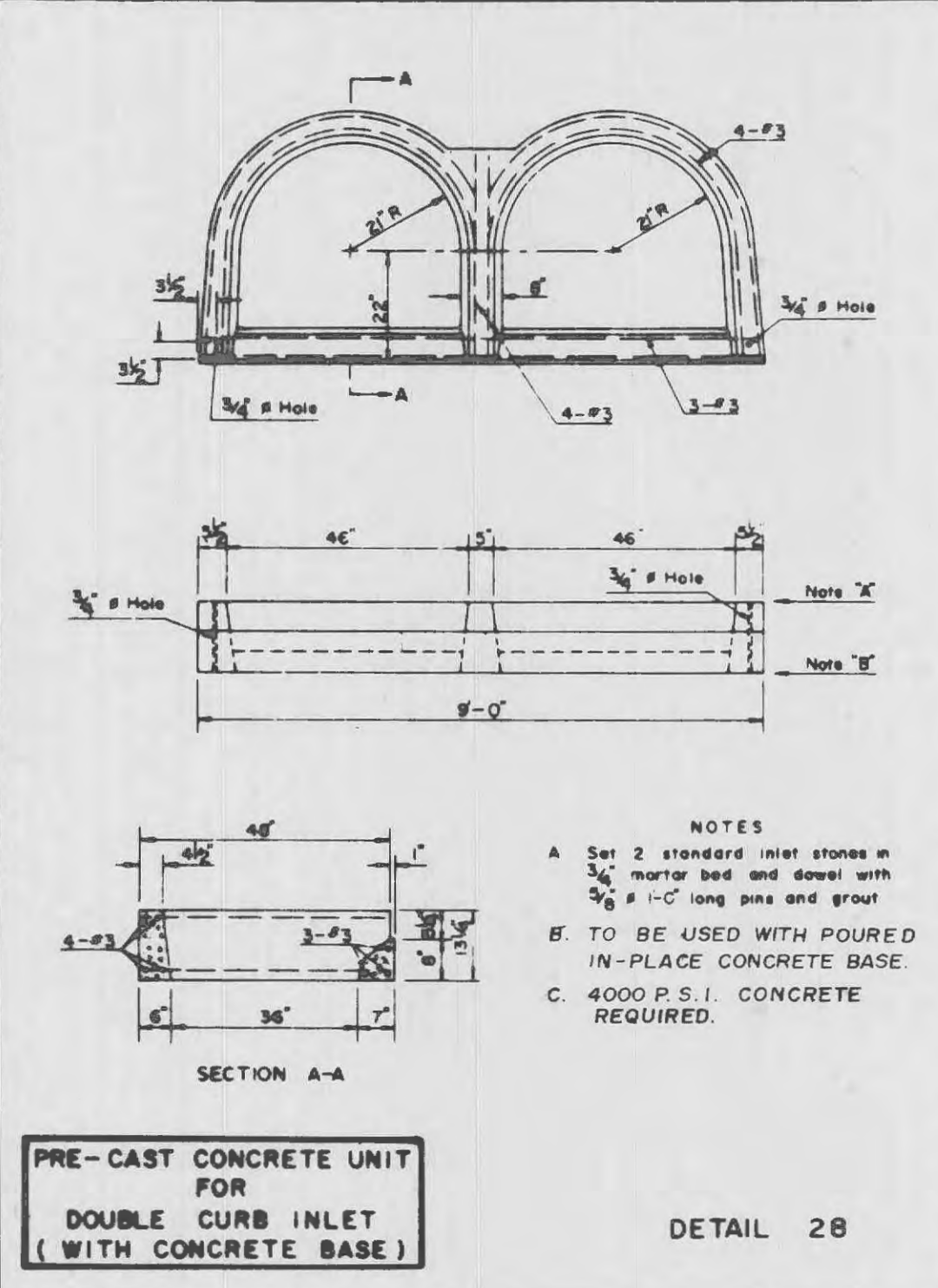
**DOUBLE UNTRAPPED INLET** DETAIL 26



**ALTERNATE CONCRETE DOUBLE STREET INLET** DETAIL 27



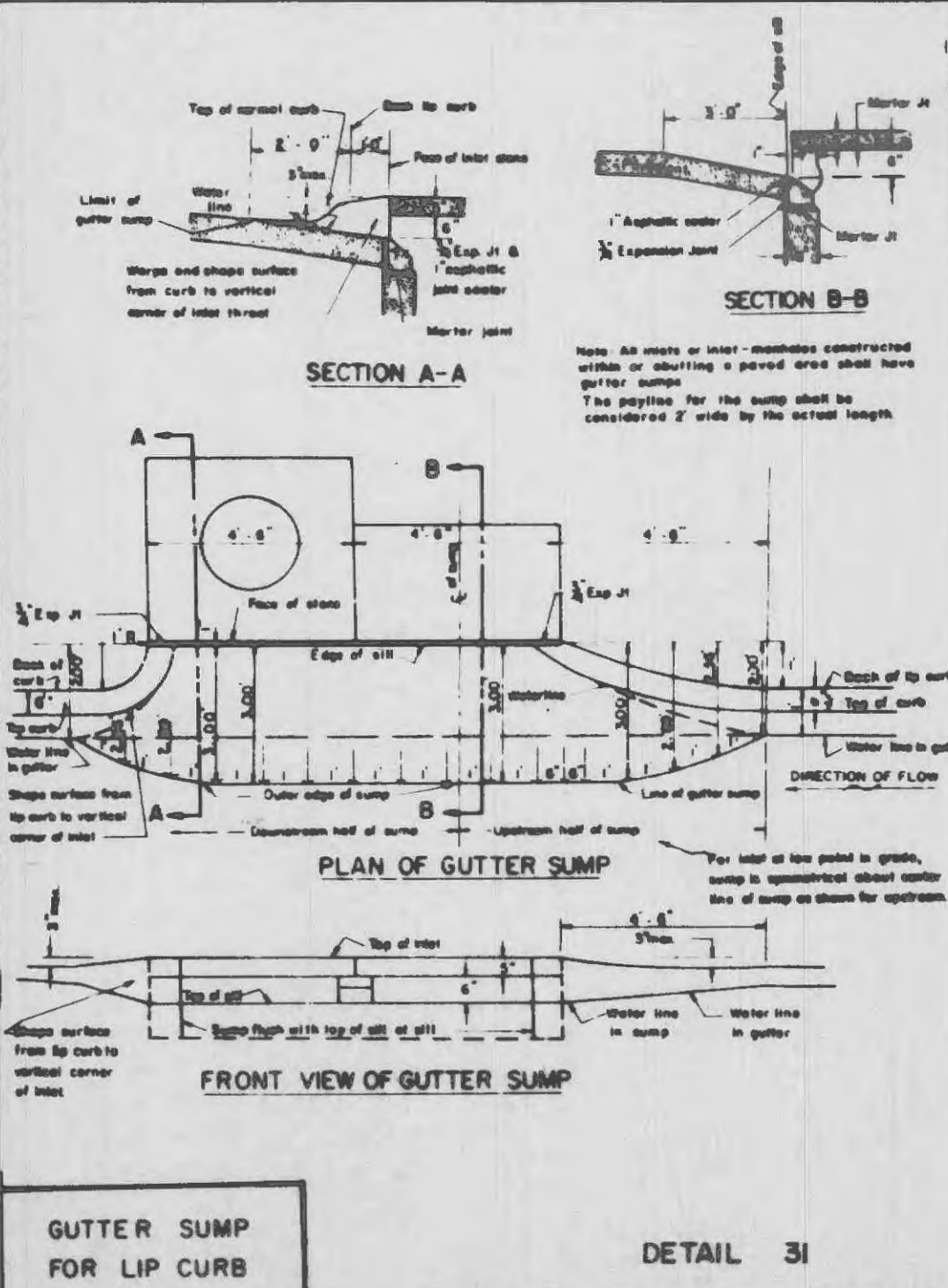
**PRE-CAST CONCRETE UNIT FOR DOUBLE CURB INLET (WITH CONCRETE BASE)** DETAIL 28



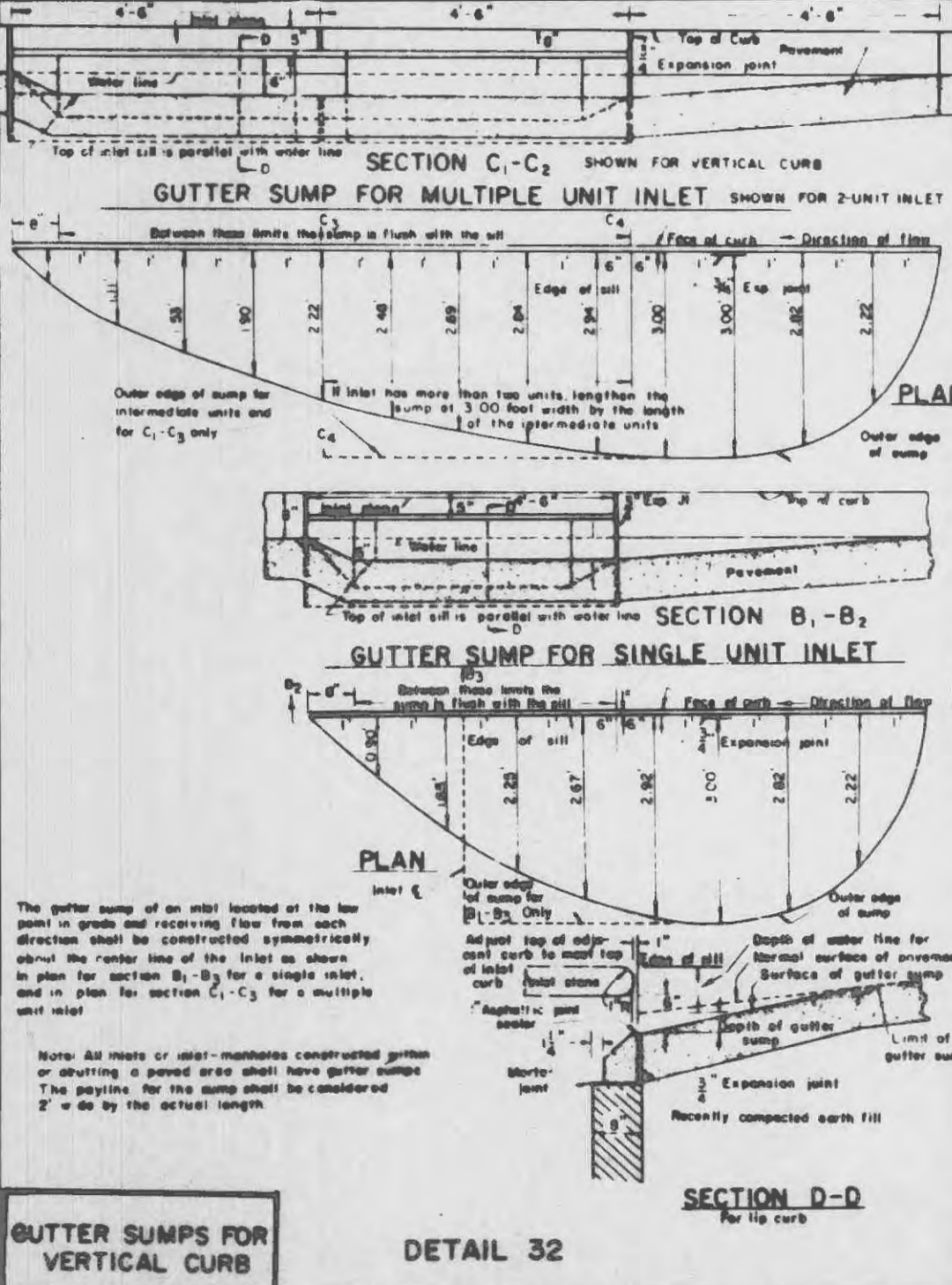
**DOUBLE AREA INLET OPEN 4 SIDES** DETAIL 30



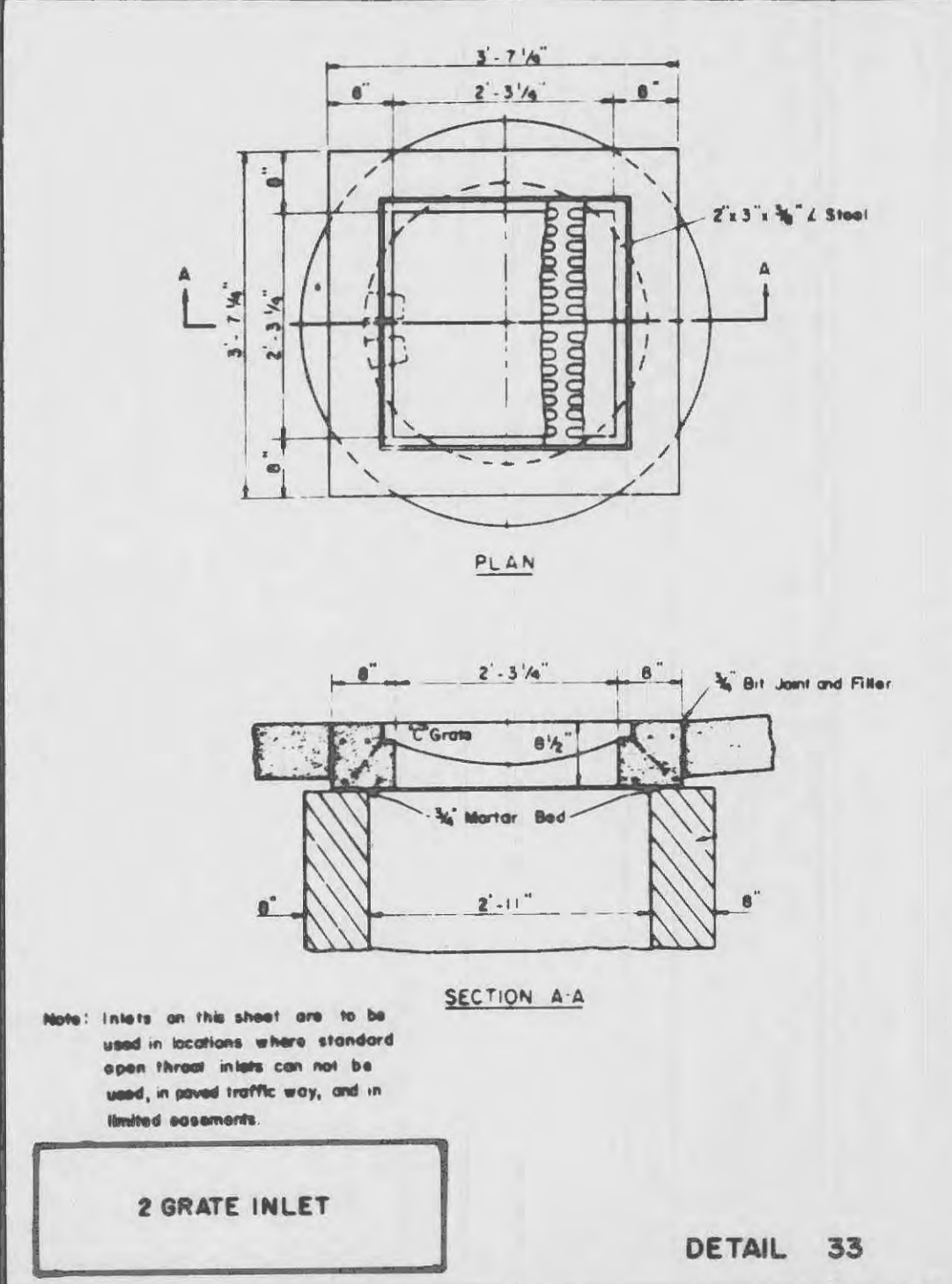
**DOUBLE UNTRAPPED INLET** DETAIL 26



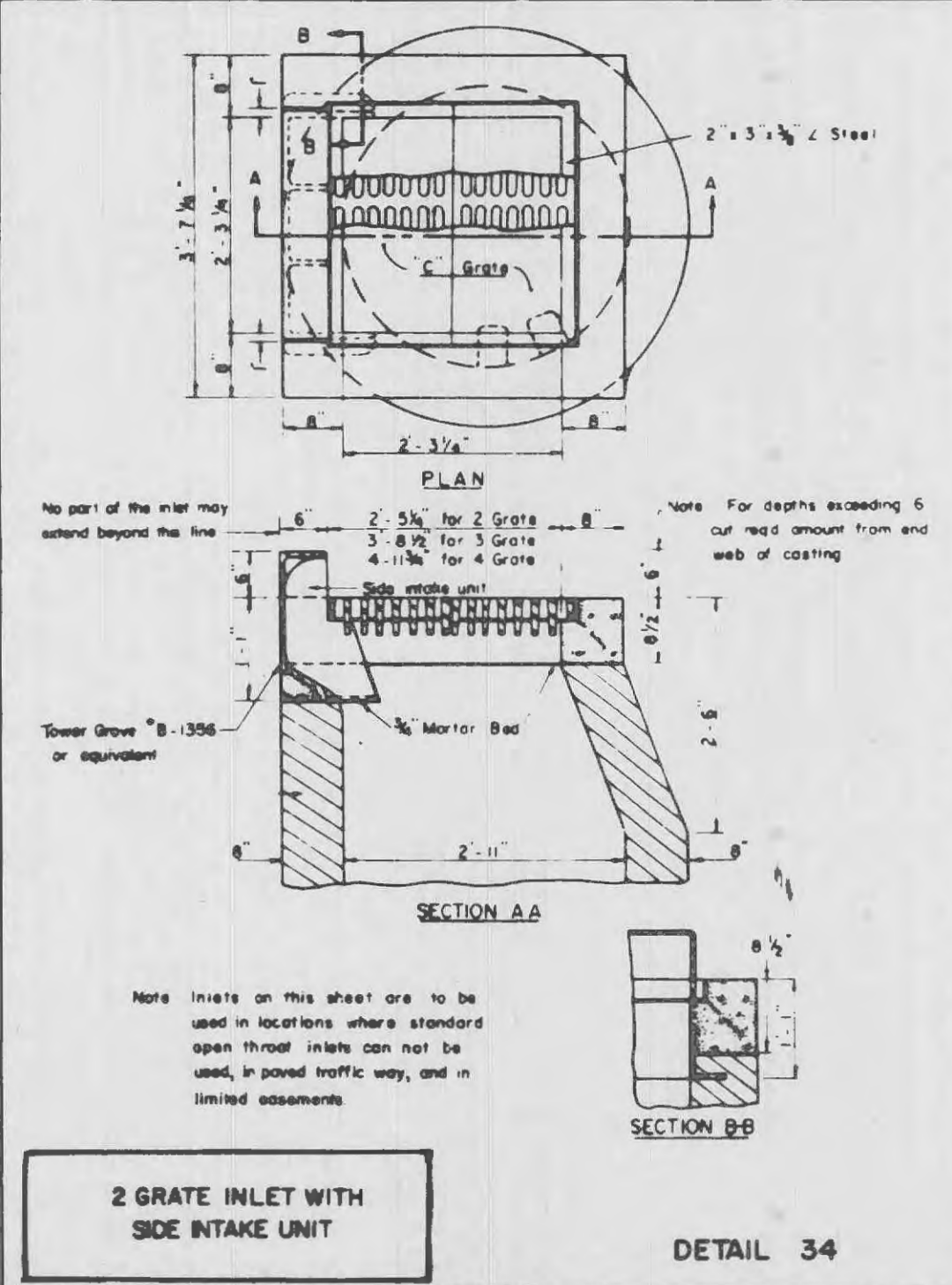
**GUTTER SUMP FOR LIP CURB** DETAIL 31



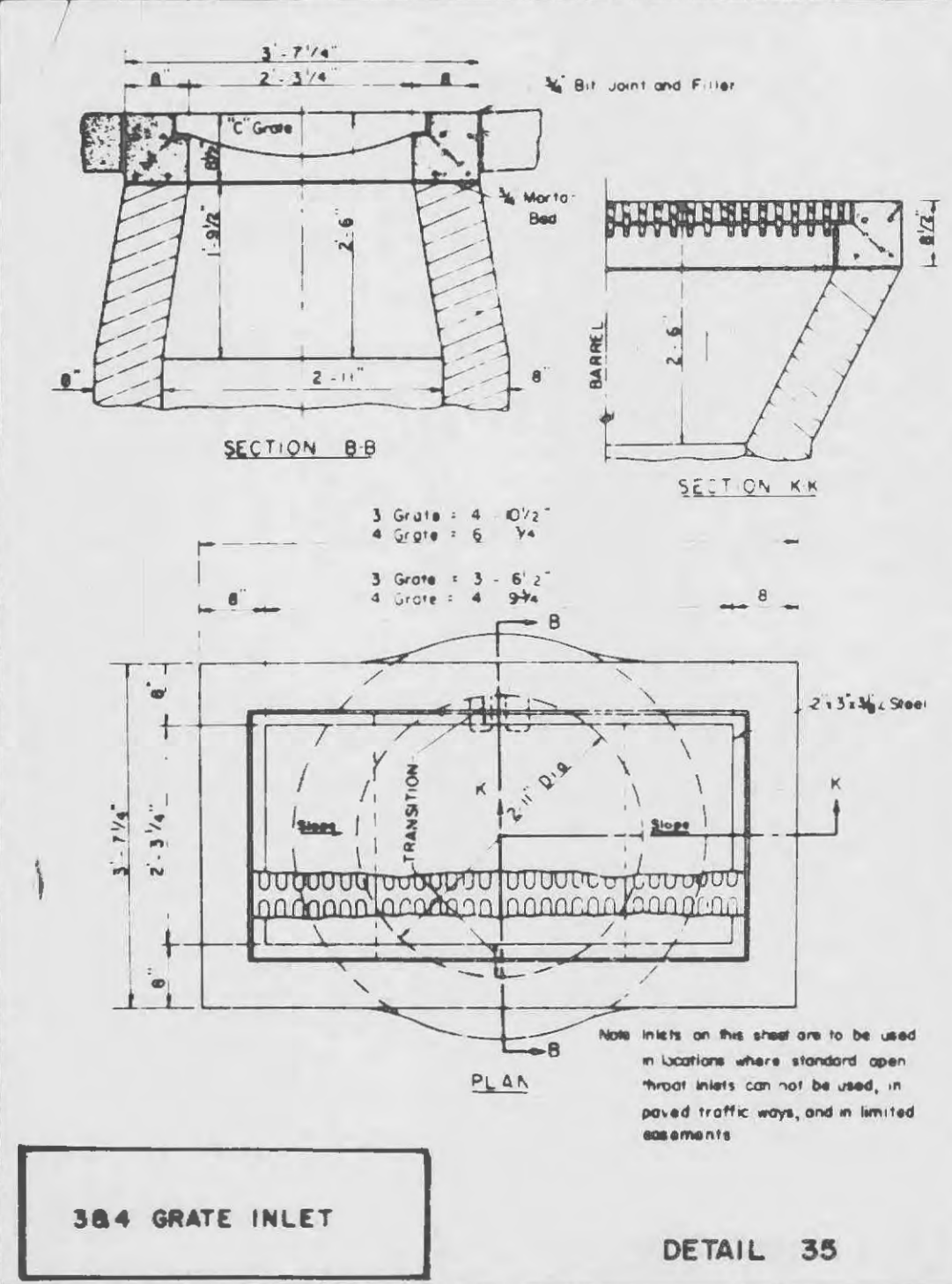
**GUTTER SUMPS FOR VERTICAL CURB** DETAIL 32



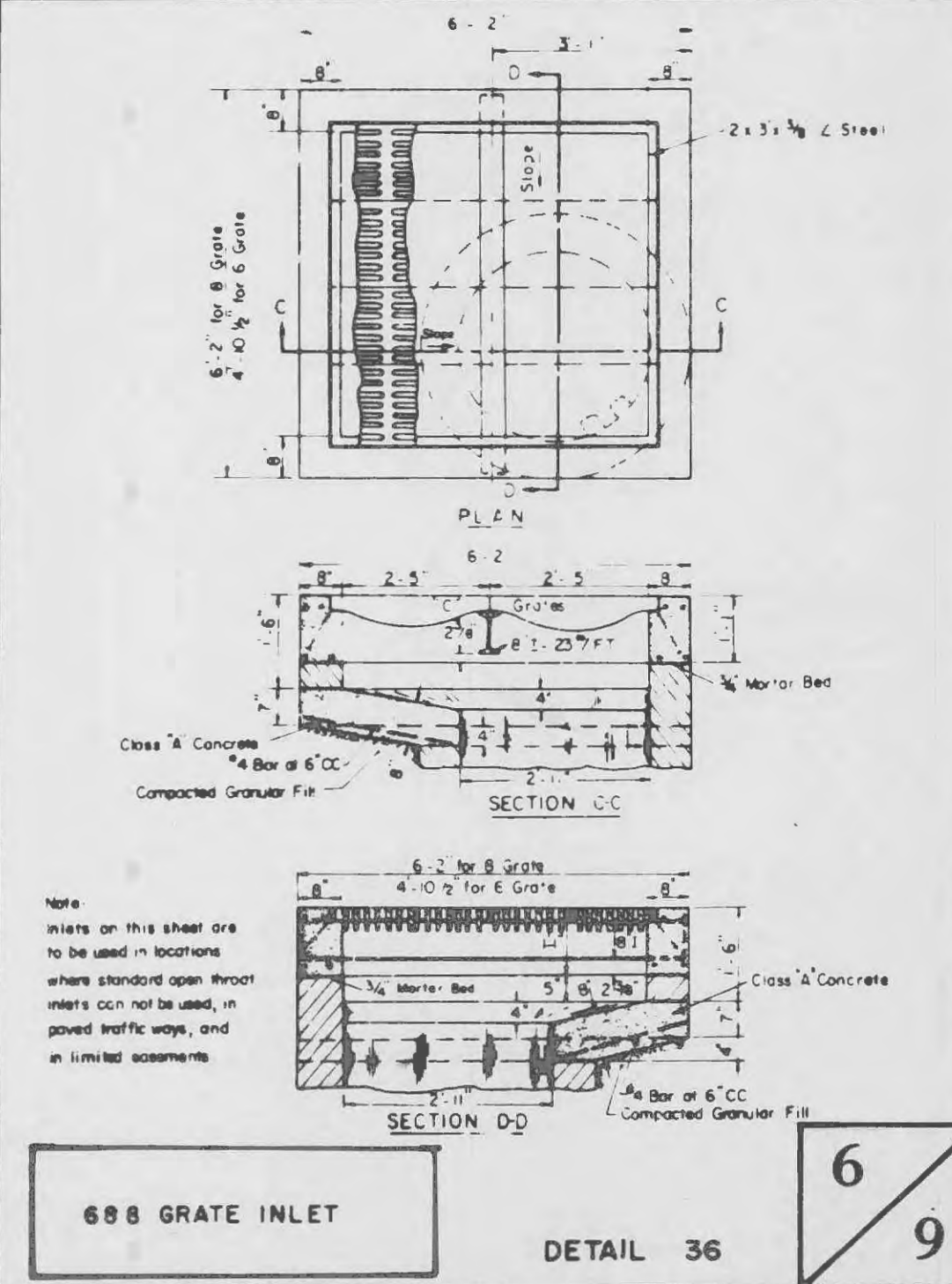
**2 GRATE INLET** DETAIL 33



**2 GRATE INLET WITH SIDE INTAKE UNIT** DETAIL 34



**3/4 GRATE INLET** DETAIL 35



**6/8 GRATE INLET** DETAIL 36