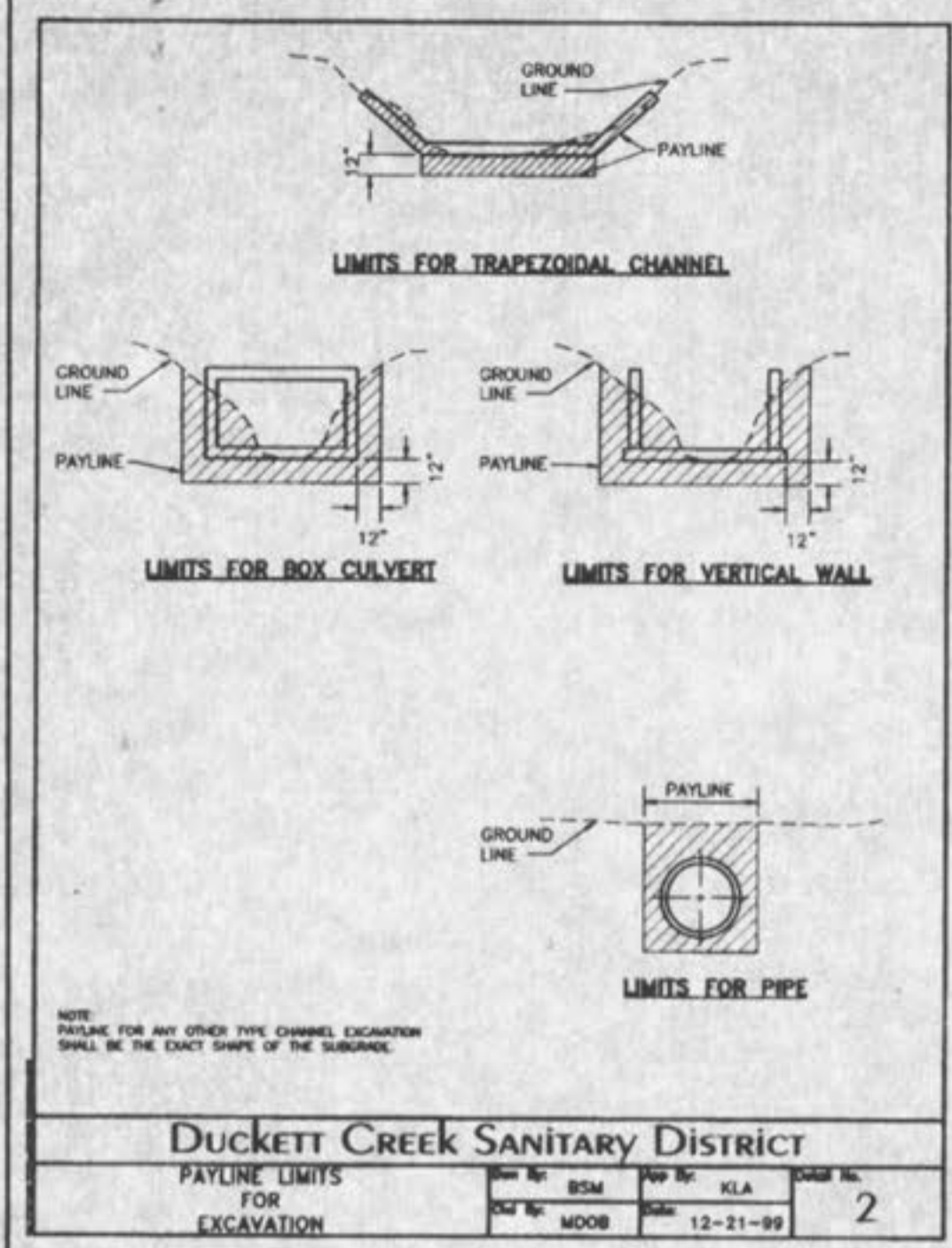


PENNIAL PARK PHASE I

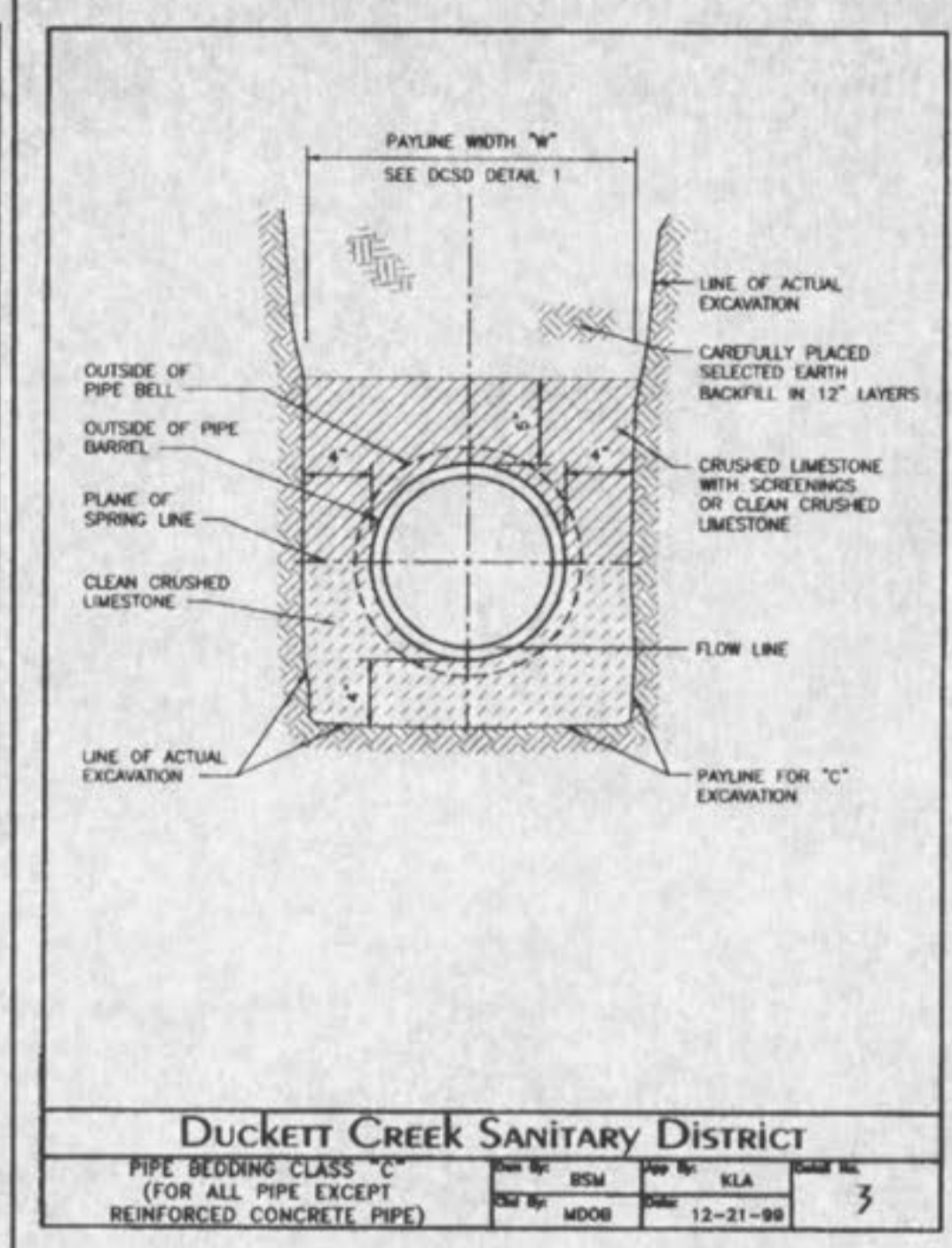
MAY 1, 2001

96-8791

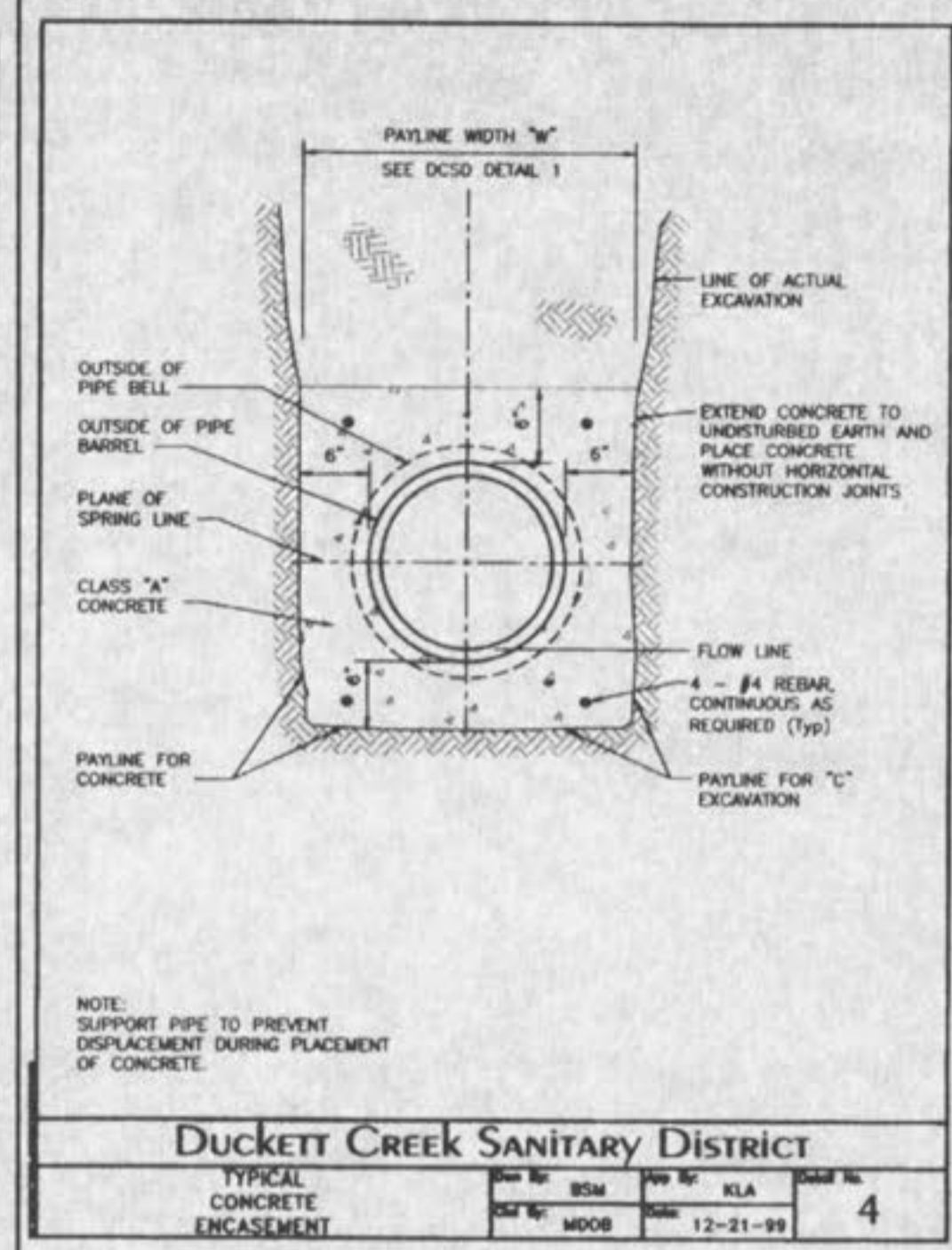
ROUND PIPE				HORIZONTAL ELLIPTICAL PIPE			
INSIDE DIAMETER OF PIPE (INCHES)	PAYLINE WIDTH OF TRENCH (INCHES)	PAYLINE WIDTH OF TRENCH (FEET)	CONCRETE ENCASUREMENT (INCHES)	INSIDE DIAMETER OF PIPE (INCHES)	PAYLINE WIDTH OF TRENCH (INCHES)	PAYLINE WIDTH OF TRENCH (FEET)	CONCRETE ENCASUREMENT (INCHES)
4	30	2.50	3.28				
6	30	2.50	3.59				
8	30	2.50	3.87				
10	30	2.50	4.09				
12	30	2.50	4.25				
15	36	3.00	5.55				
18	36	3.00	5.77	14 x 23	41	3.42	5.94
21	39	3.25	6.61				
24	42	3.50	7.39	19 x 30	49	4.08	7.68
27	45	3.75	8.18	22 x 34	53	4.42	8.61
30	48	4.08	9.30	24 x 38	58	4.83	9.70
33	51	4.42	10.53	27 x 42	62	5.17	10.71
36	54	4.87	11.43	29 x 45	66	5.50	11.72
39	DISCONTINUED			32 x 49	71	5.92	13.14
42	63	3.25	13.38	34 x 53	75	6.25	14.05
48	70	5.83	15.67	38 x 60	83	6.92	16.18
54	77	6.42	18.15	43 x 66	92	7.67	18.81
60	84	7.00	20.73	48 x 76	101	8.42	21.58
66	91	7.58	23.45	53 x 83	109	9.08	24.35
72	98	8.17	26.37	58 x 91	118	9.83	27.45
78	105	8.75	29.39	63 x 98	126	10.50	30.90
84	112	9.33	32.57	68 x 106	135	11.25	33.91
90	119	9.92	35.90	72 x 113	143	11.92	36.99
96	126	10.50	39.37	77 x 121	152	12.67	40.69
102	133	11.08	42.99	82 x 128	160	13.33	44.45
108	140	11.67	46.75	87 x 136	168	14.00	47.79
114	147	12.25	50.66	92 x 143	176	14.67	51.70
120	154	12.83	54.72	97 x 151	185	15.42	56.01
126	161	13.42	58.92				
132	168	14.00	63.27	106 x 168	202	16.83	64.48
144	182	15.17	72.40	116 x 180	218	18.17	73.59



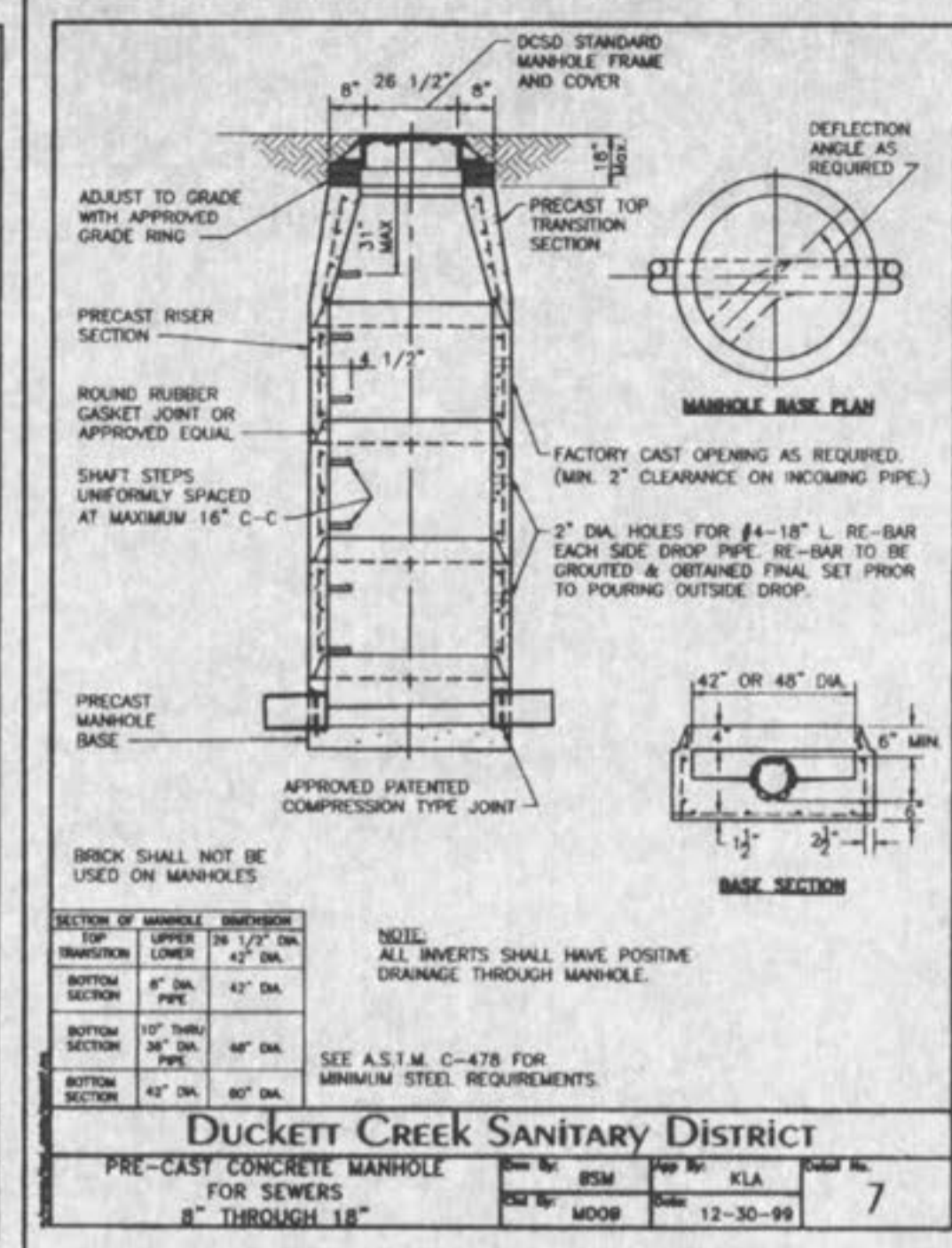
DUCKETT CREEK SANITARY DISTRICT
PAYLINE LIMITS FOR EXCAVATION
Sheet No. BSM 12-21-99
MOOB 1



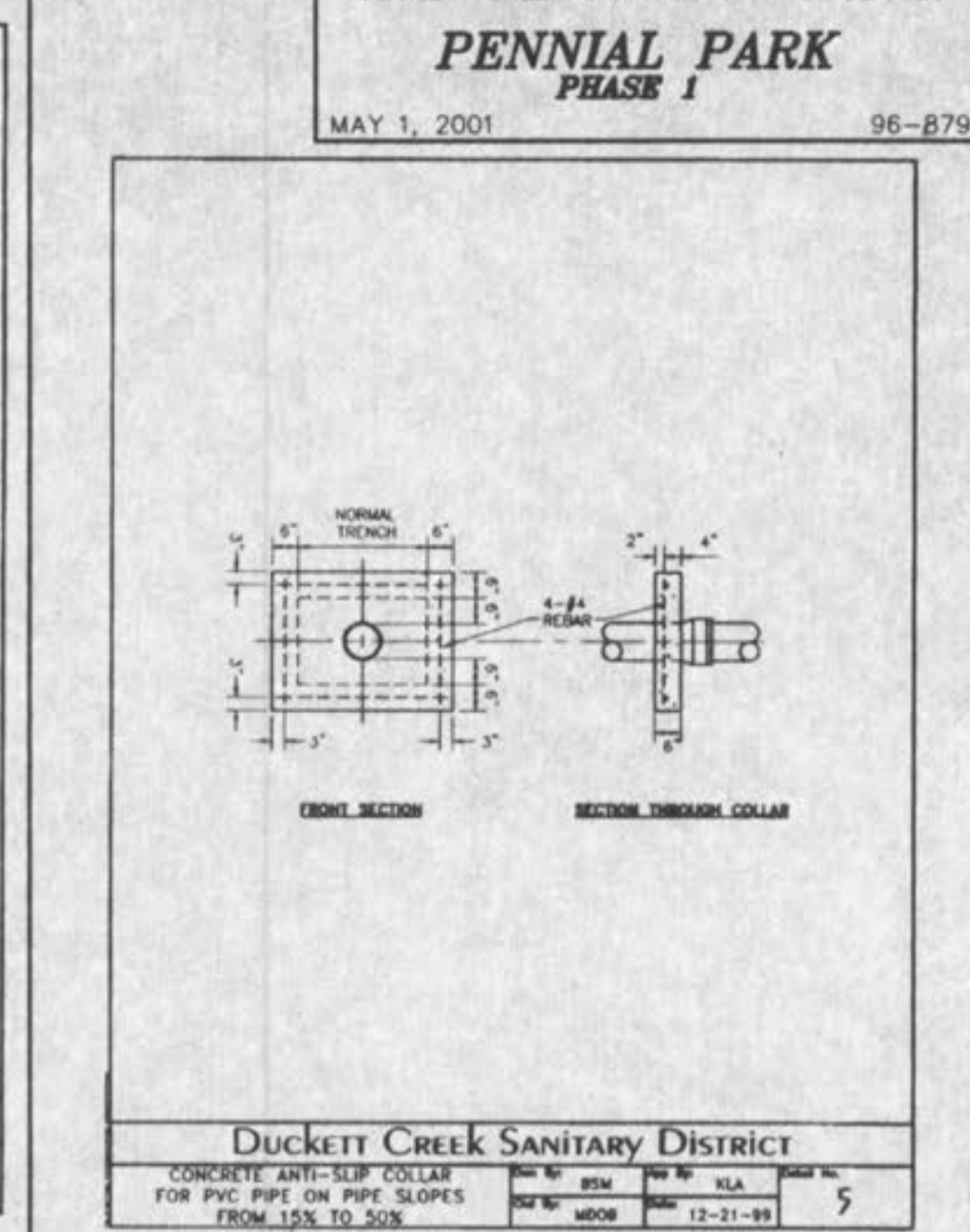
DUCKETT CREEK SANITARY DISTRICT
PIPE BEDDING CLASS "C" (FOR ALL PIPE EXCEPT REINFORCED CONCRETE PIPE)
Sheet No. BSM 12-21-99
MOOB 3



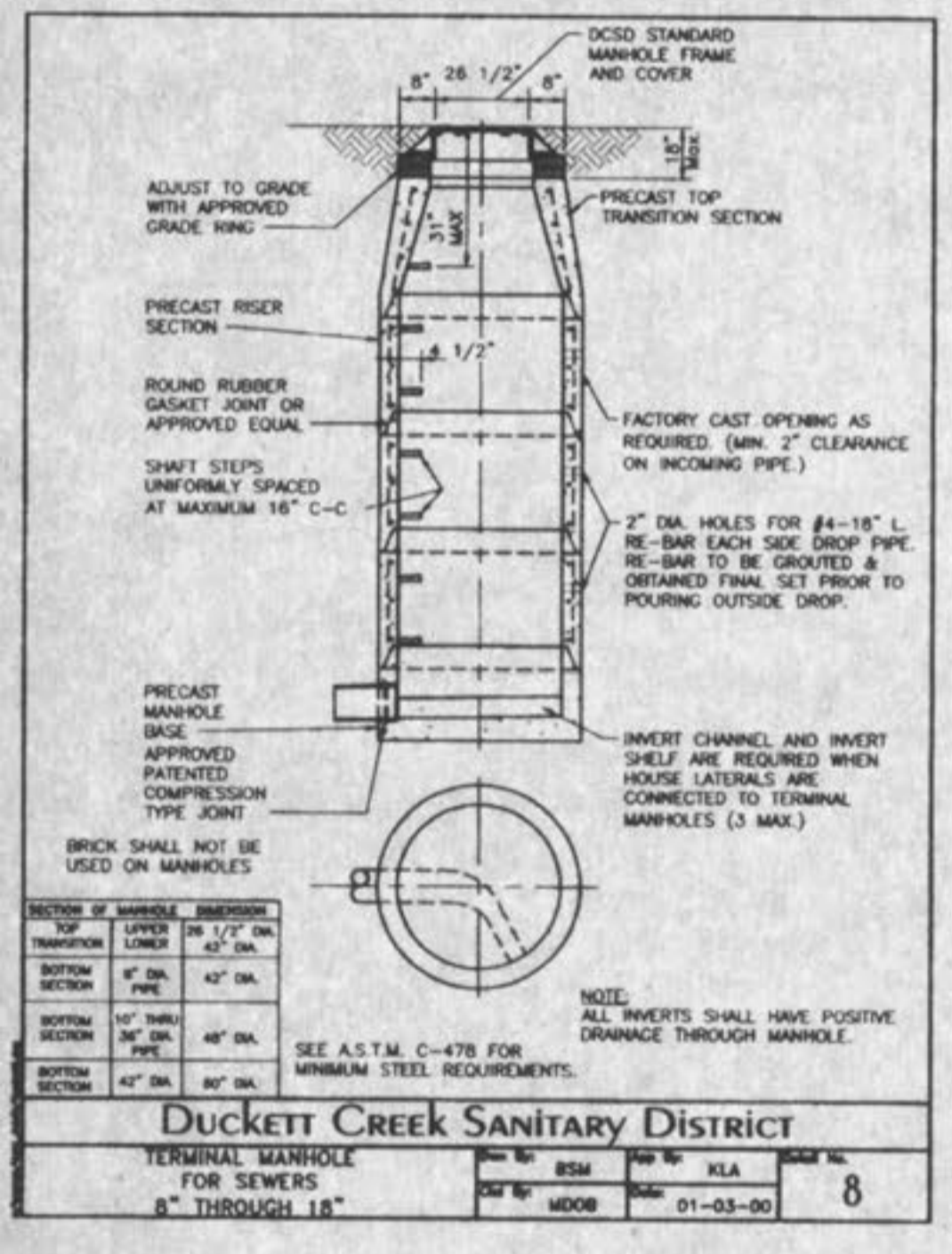
DUCKETT CREEK SANITARY DISTRICT
TYPICAL CONCRETE ENCASEMENT
Sheet No. BSM 12-21-99
MOOB 4



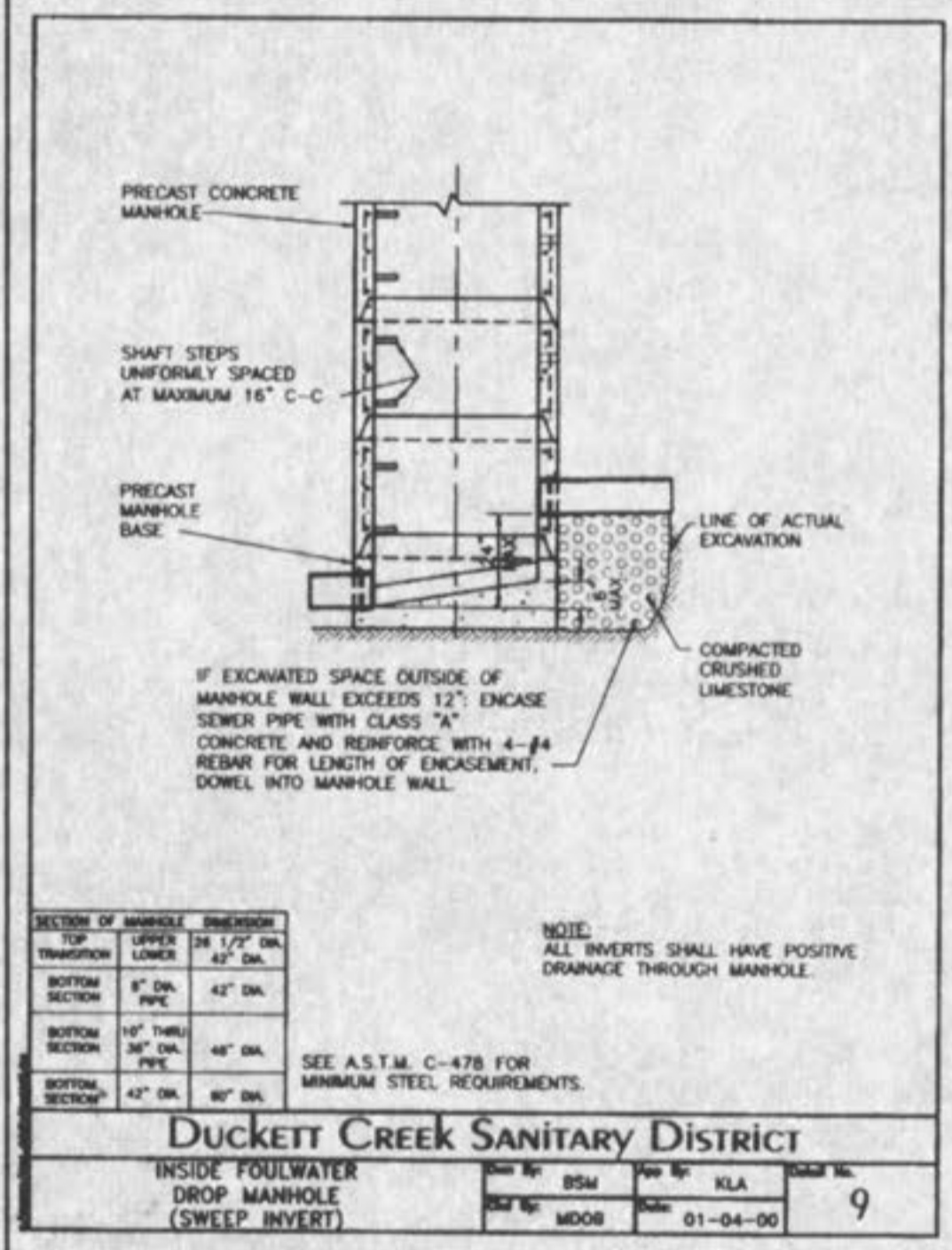
DUCKETT CREEK SANITARY DISTRICT
PRE-CAST CONCRETE MANHOLE FOR SEWERS 8" THROUGH 18"
Sheet No. BSM 12-30-99
MOOB 7



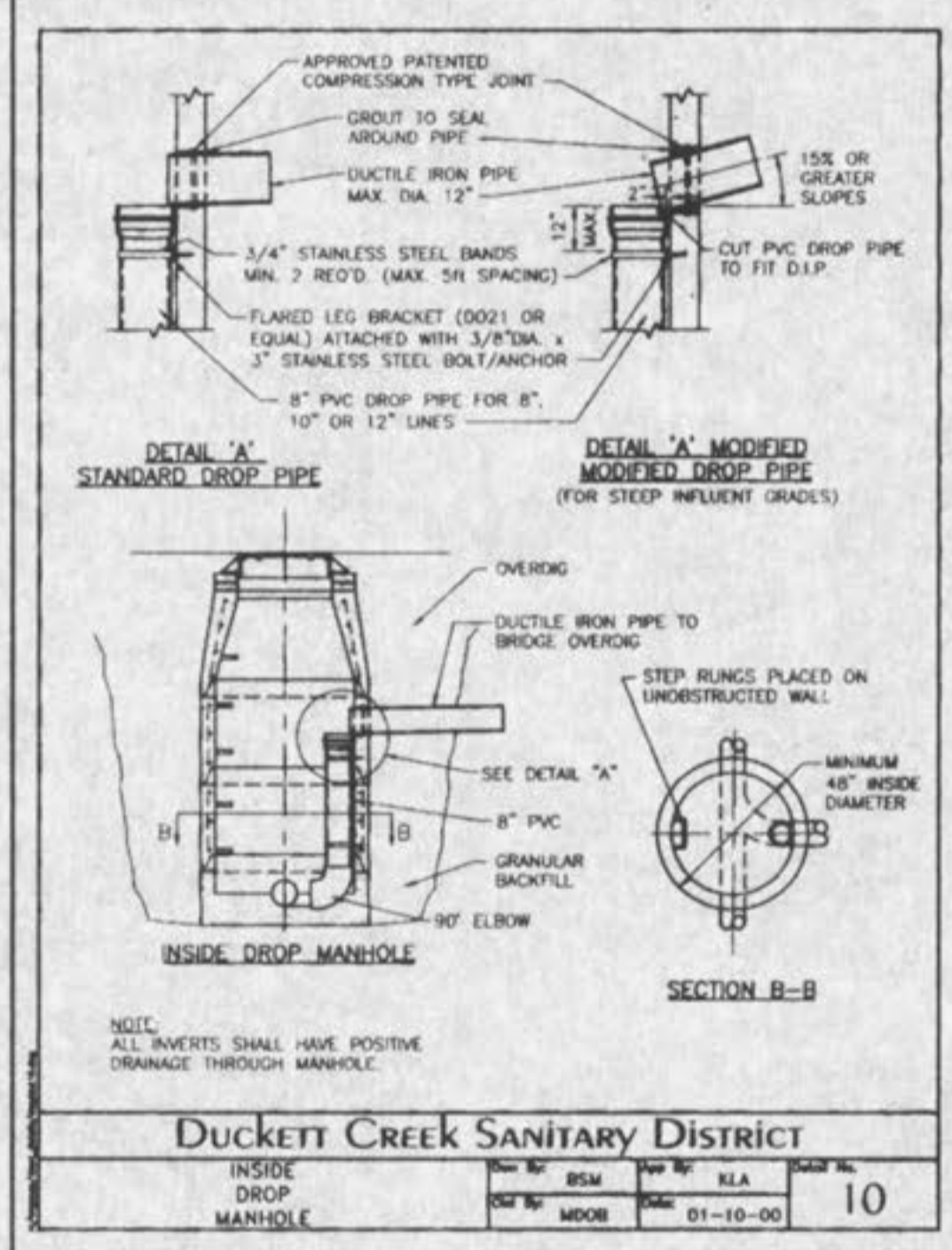
DUCKETT CREEK SANITARY DISTRICT
CONCRETE ANTI-SLIP COLLAR FOR PVC PIPE ON PIPE SLOPES FROM 15% TO 50%
Sheet No. BSM 12-21-99
MOOB 5



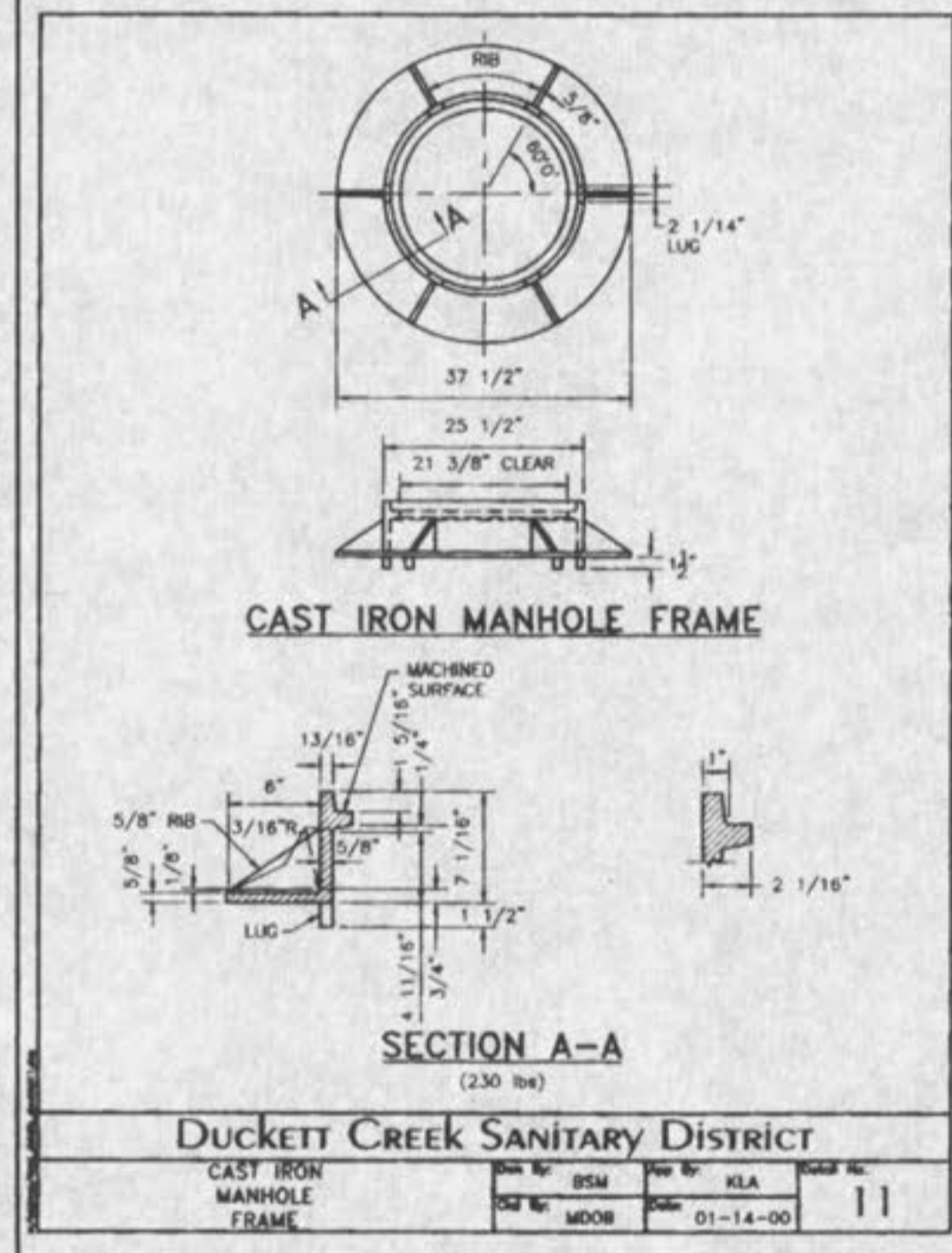
DUCKETT CREEK SANITARY DISTRICT
TERMINAL MANHOLE FOR SEWERS 8" THROUGH 18"
Sheet No. BSM 01-03-00
MOOB 8



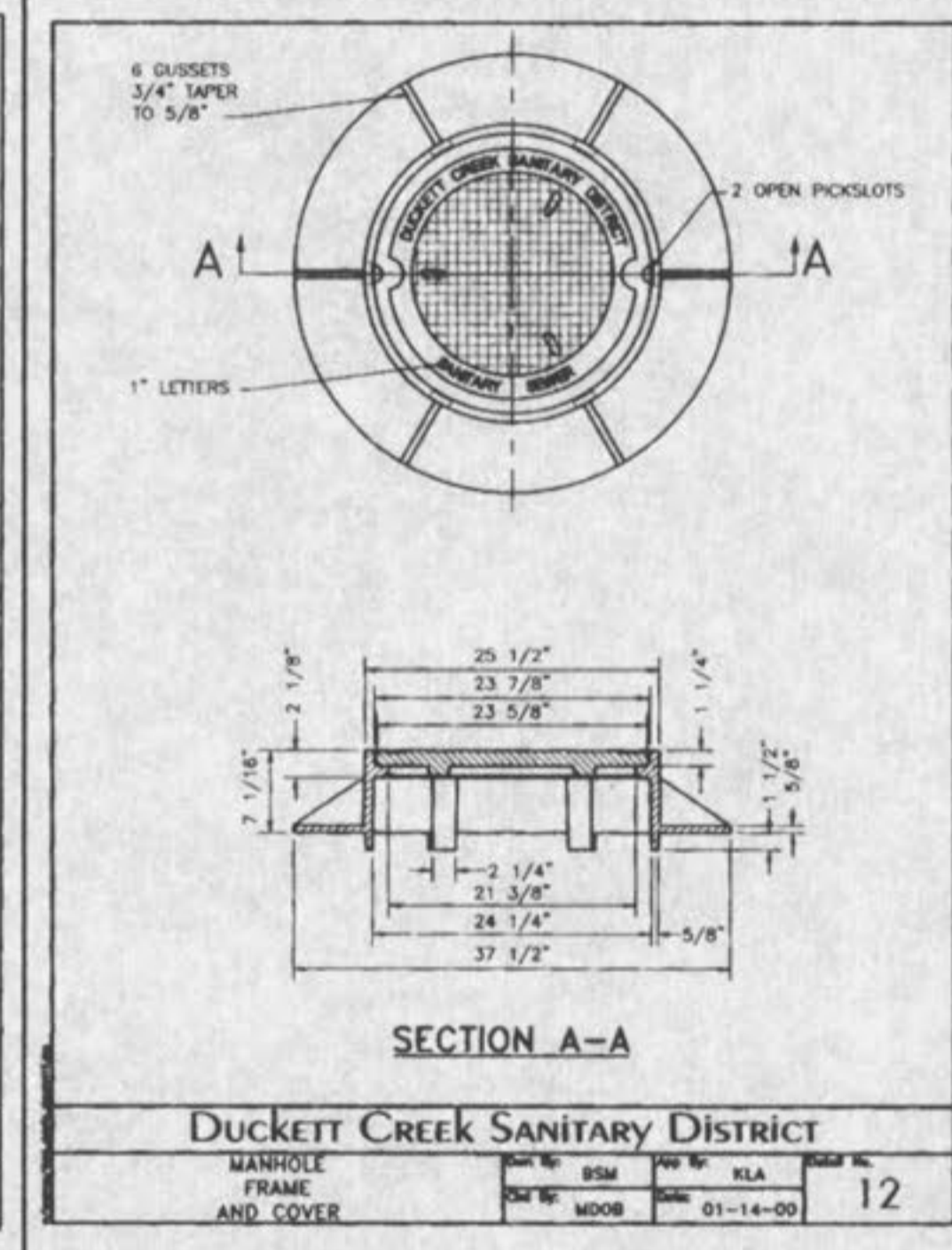
DUCKETT CREEK SANITARY DISTRICT
INSIDE FOULWATER DROP MANHOLE (SWEEP INVERT)
Sheet No. BSM 01-04-00
MOOB 9



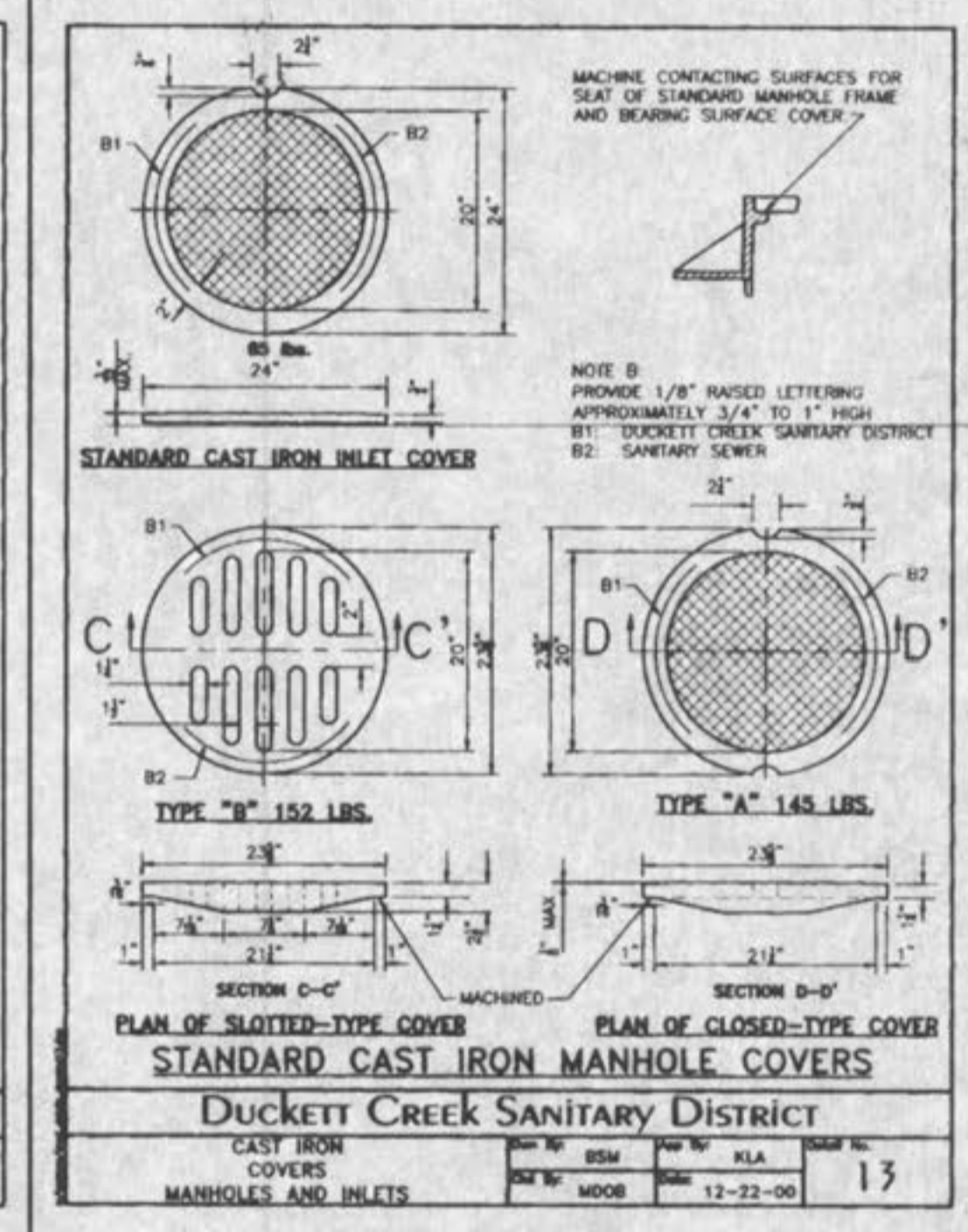
DUCKETT CREEK SANITARY DISTRICT
INSIDE DROP MANHOLE
Sheet No. BSM 01-10-00
MOOB 10



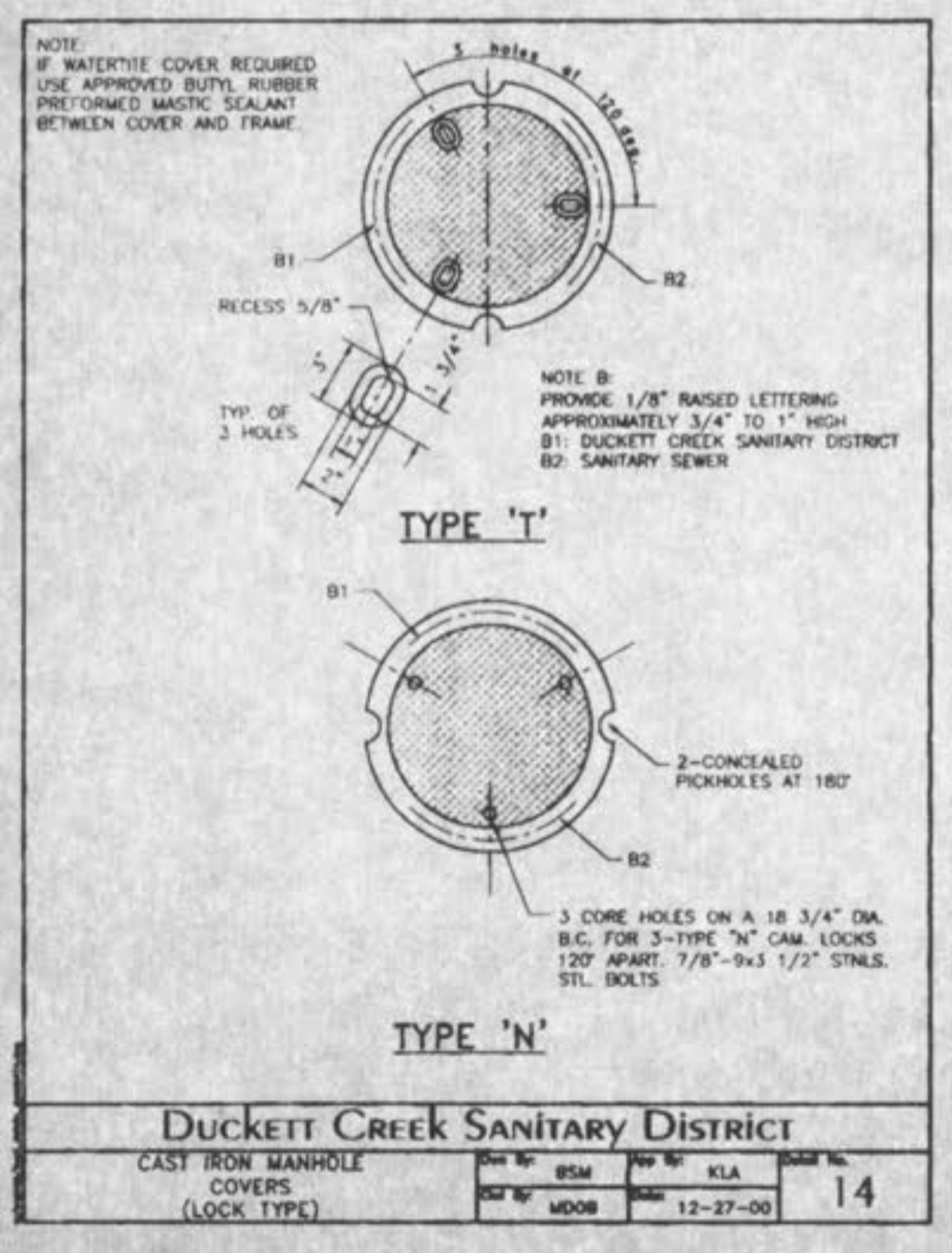
DUCKETT CREEK SANITARY DISTRICT
CAST IRON MANHOLE FRAME
Sheet No. BSM 01-14-00
MOOB 11



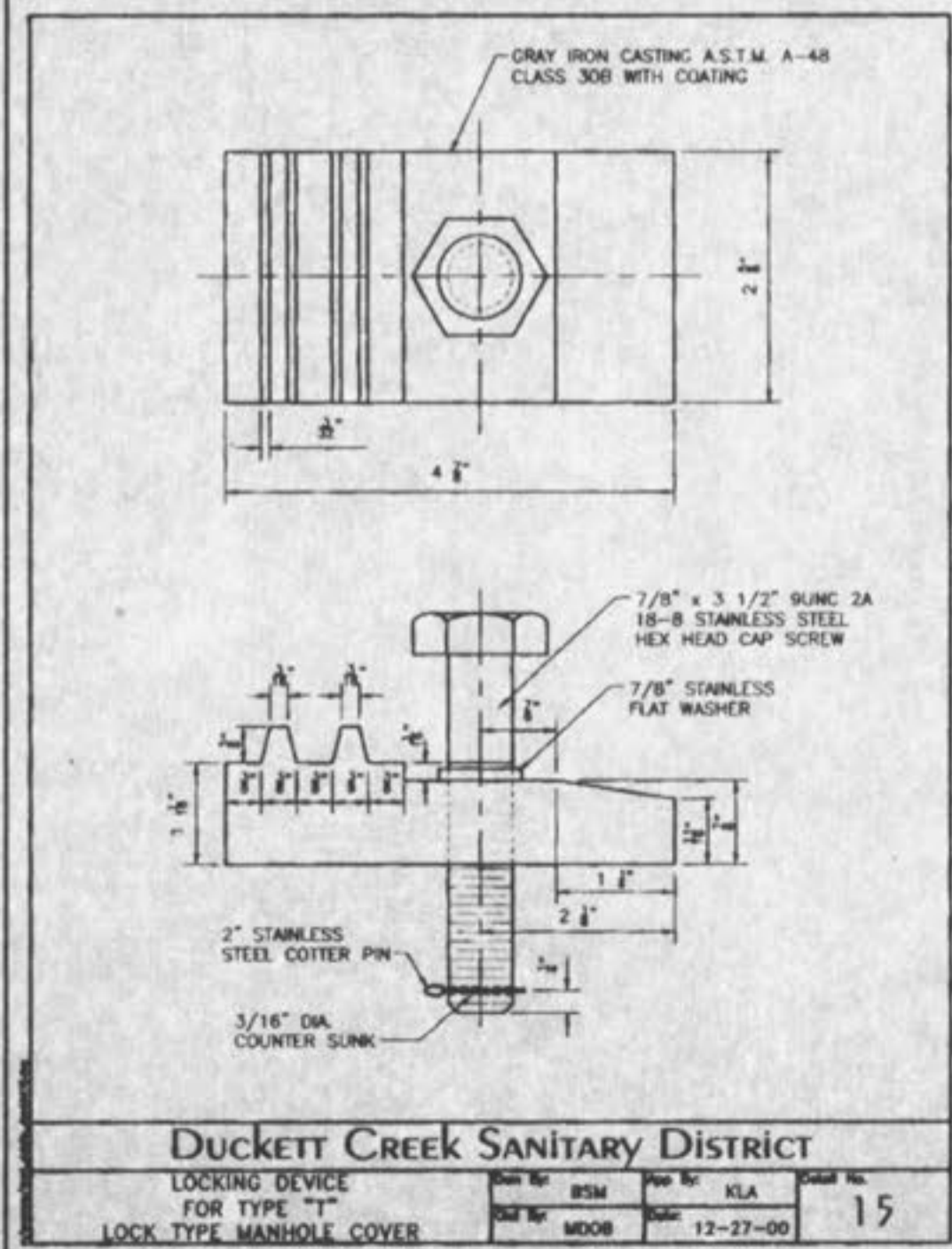
DUCKETT CREEK SANITARY DISTRICT
MANHOLE FRAME AND COVER
Sheet No. BSM 01-14-00
MOOB 12



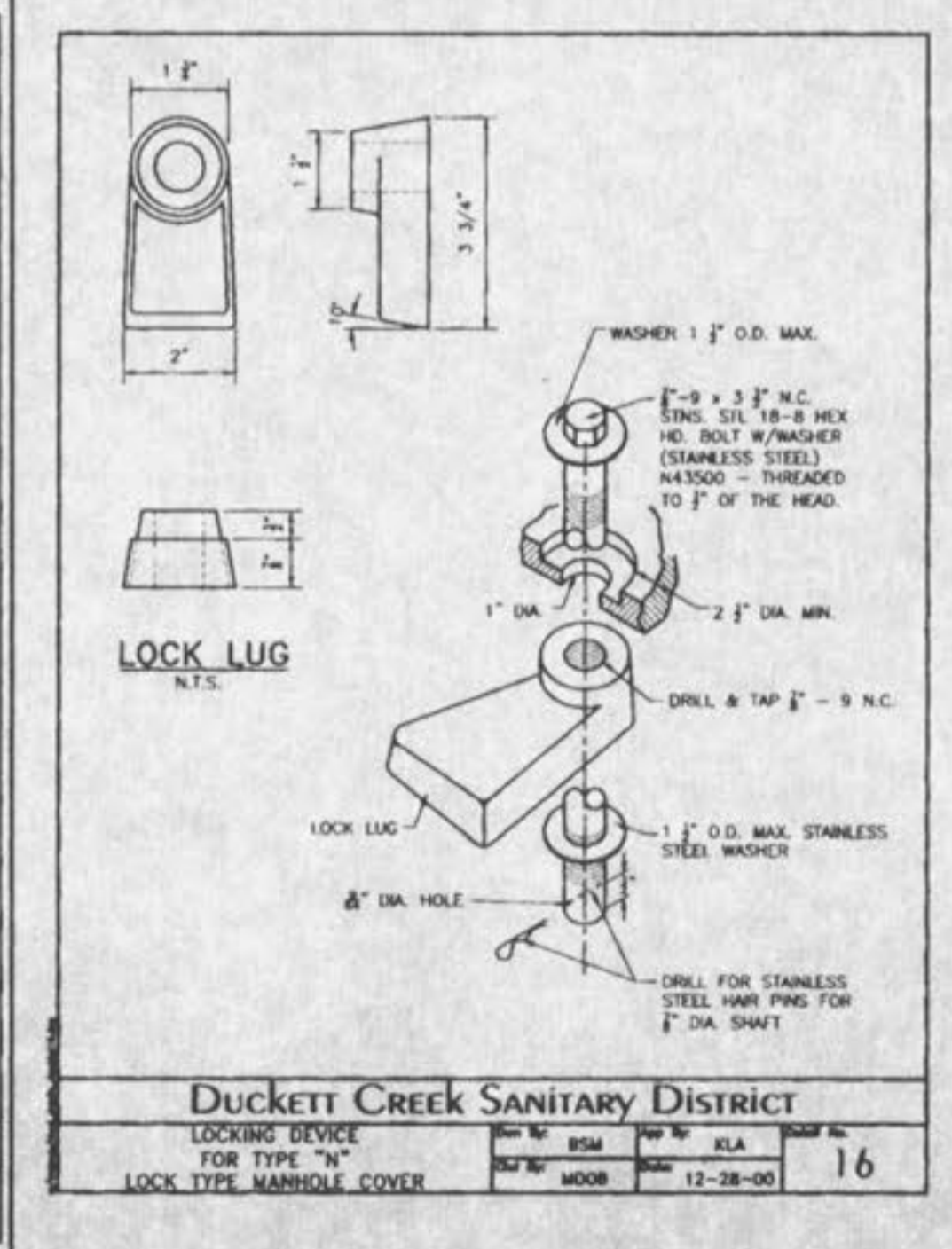
DUCKETT CREEK SANITARY DISTRICT
CAST IRON COVERS MANHOLES AND INLETS
Sheet No. BSM 12-22-00
MOOB 13



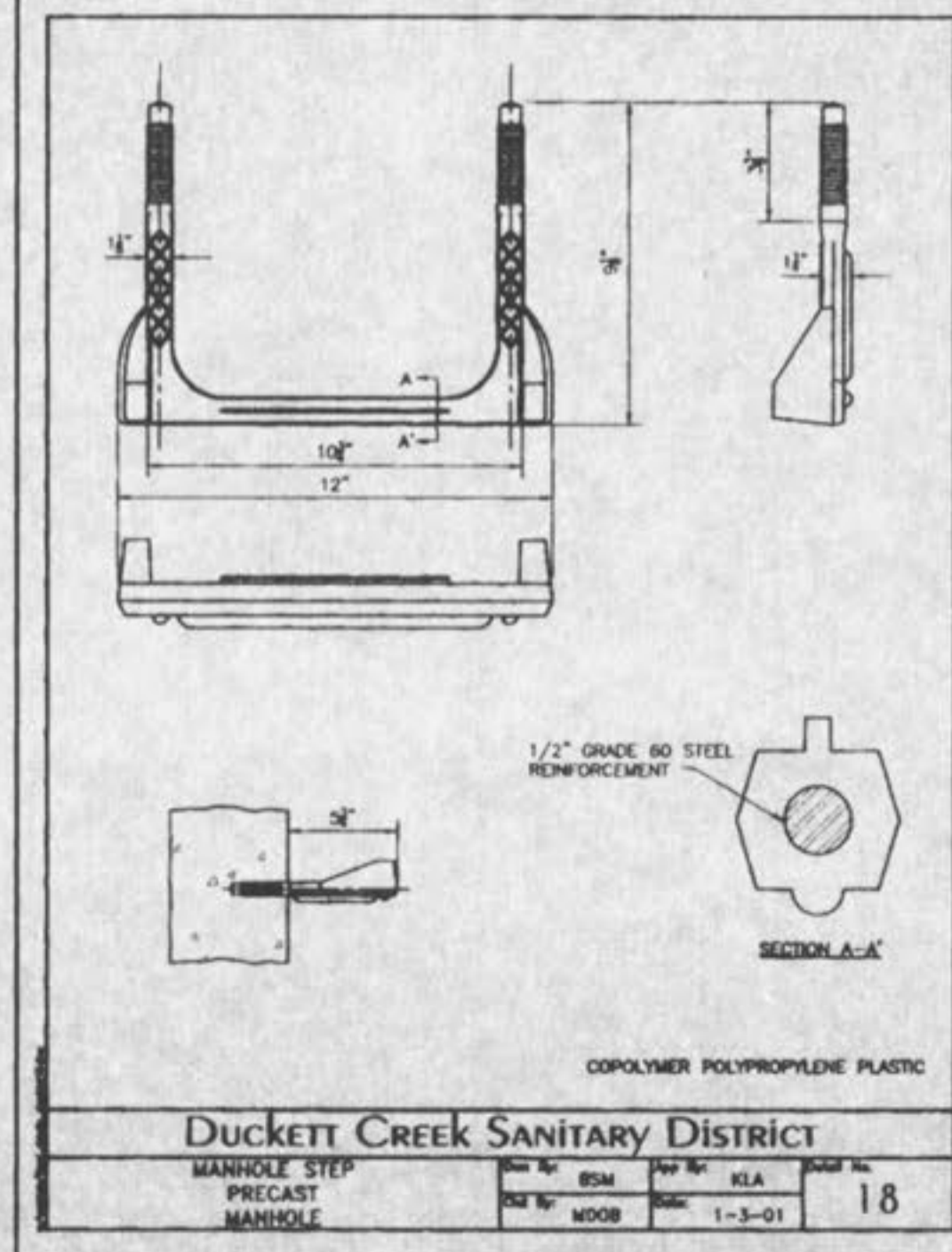
DUCKETT CREEK SANITARY DISTRICT
CAST IRON MANHOLE COVERS (LOCK TYPE)
Sheet No. BSM 12-27-00
MOOB 14



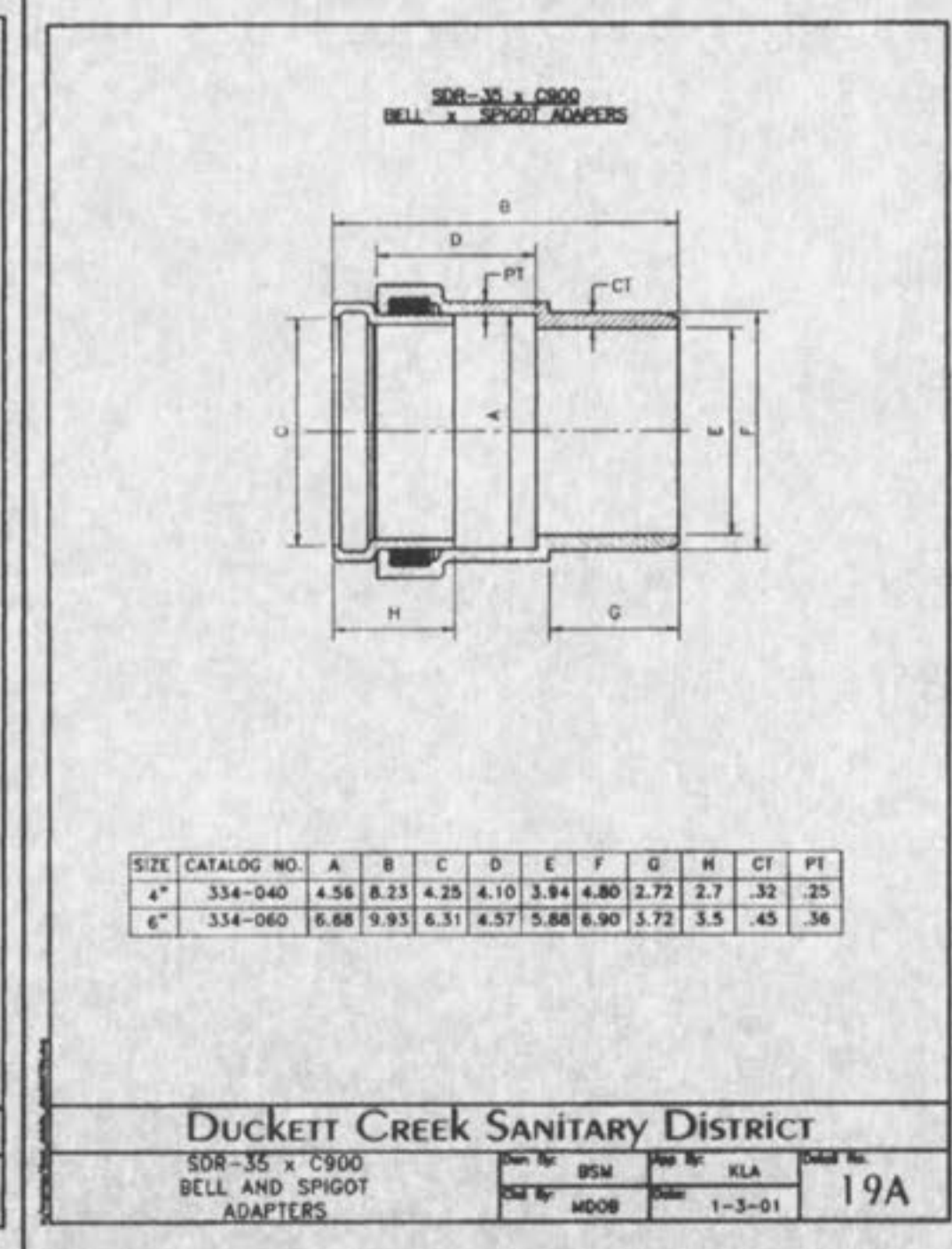
DUCKETT CREEK SANITARY DISTRICT
LOCKING DEVICE FOR TYPE "T" LOCK TYPE MANHOLE COVER
Sheet No. BSM 12-27-00
MOOB 15



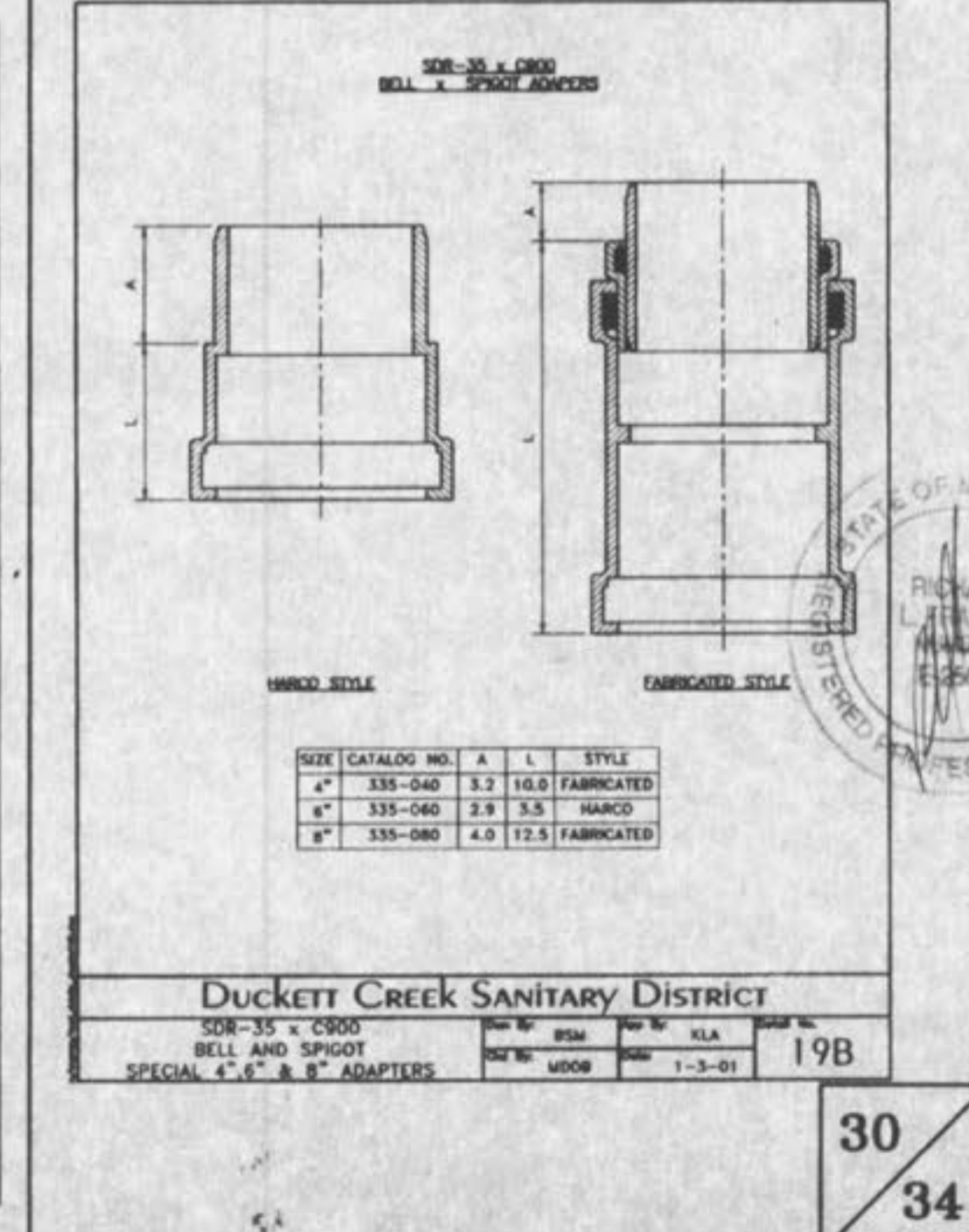
DUCKETT CREEK SANITARY DISTRICT
LOCKING DEVICE FOR TYPE "N" LOCK TYPE MANHOLE COVER
Sheet No. BSM 12-28-00
MOOB 16



DUCKETT CREEK SANITARY DISTRICT
MANHOLE STEP PRE-CAST MANHOLE
Sheet No. BSM 1-3-01
MOOB 18



DUCKETT CREEK SANITARY DISTRICT
SDR-35 x C900 BELL AND SPIGOT ADAPTERS
Sheet No. BSM 1-3-01
MOOB 19A



DUCKETT CREEK SANITARY DISTRICT
SDR-35 x C900 BELL AND SPIGOT ADAPTERS
Sheet No. BSM 1-3-01
MOOB 19B

