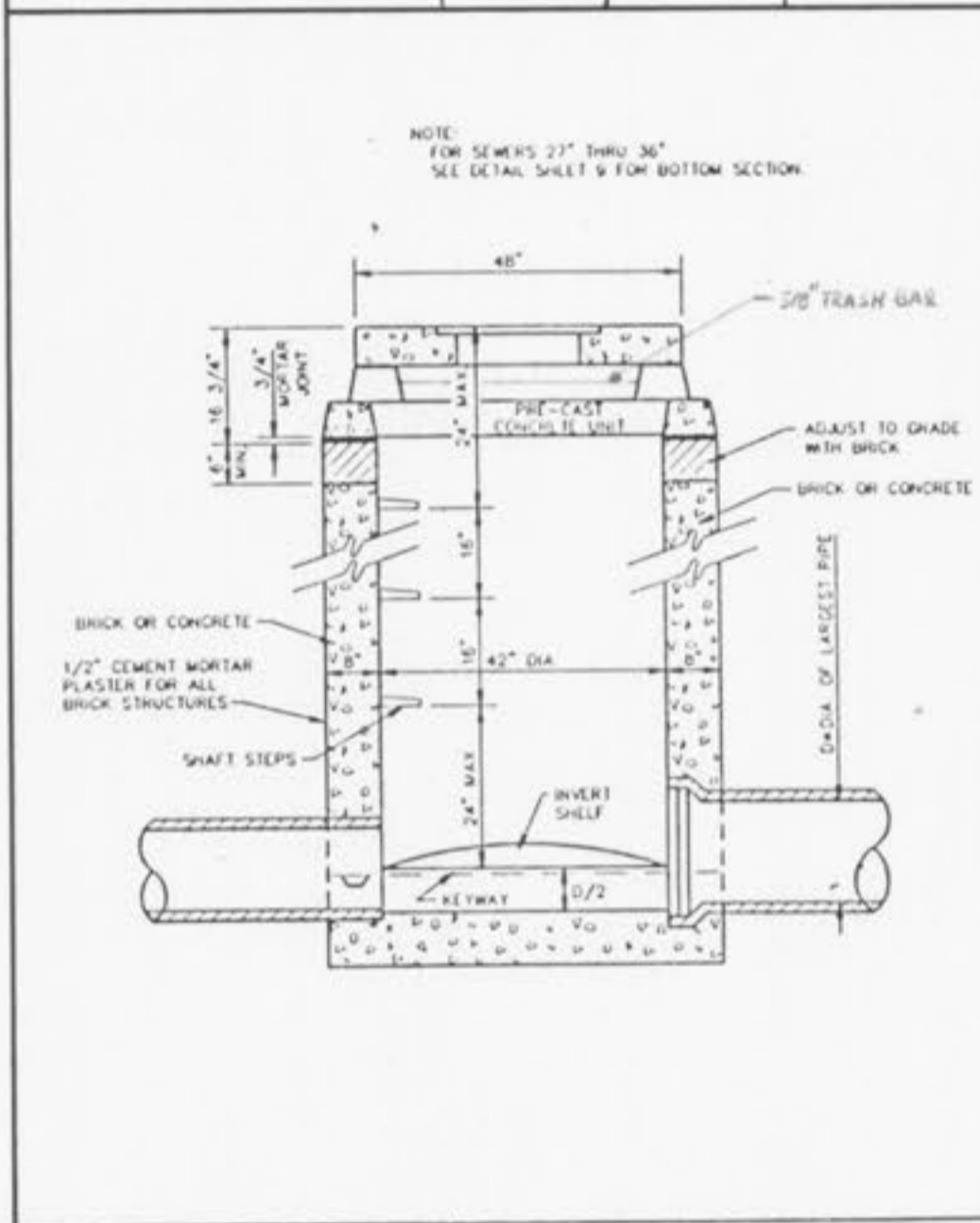


TYPICAL PRE-CAST MH. TEE FOR REINFORCED CONCRETE PIPE SEWERS 48\"/>



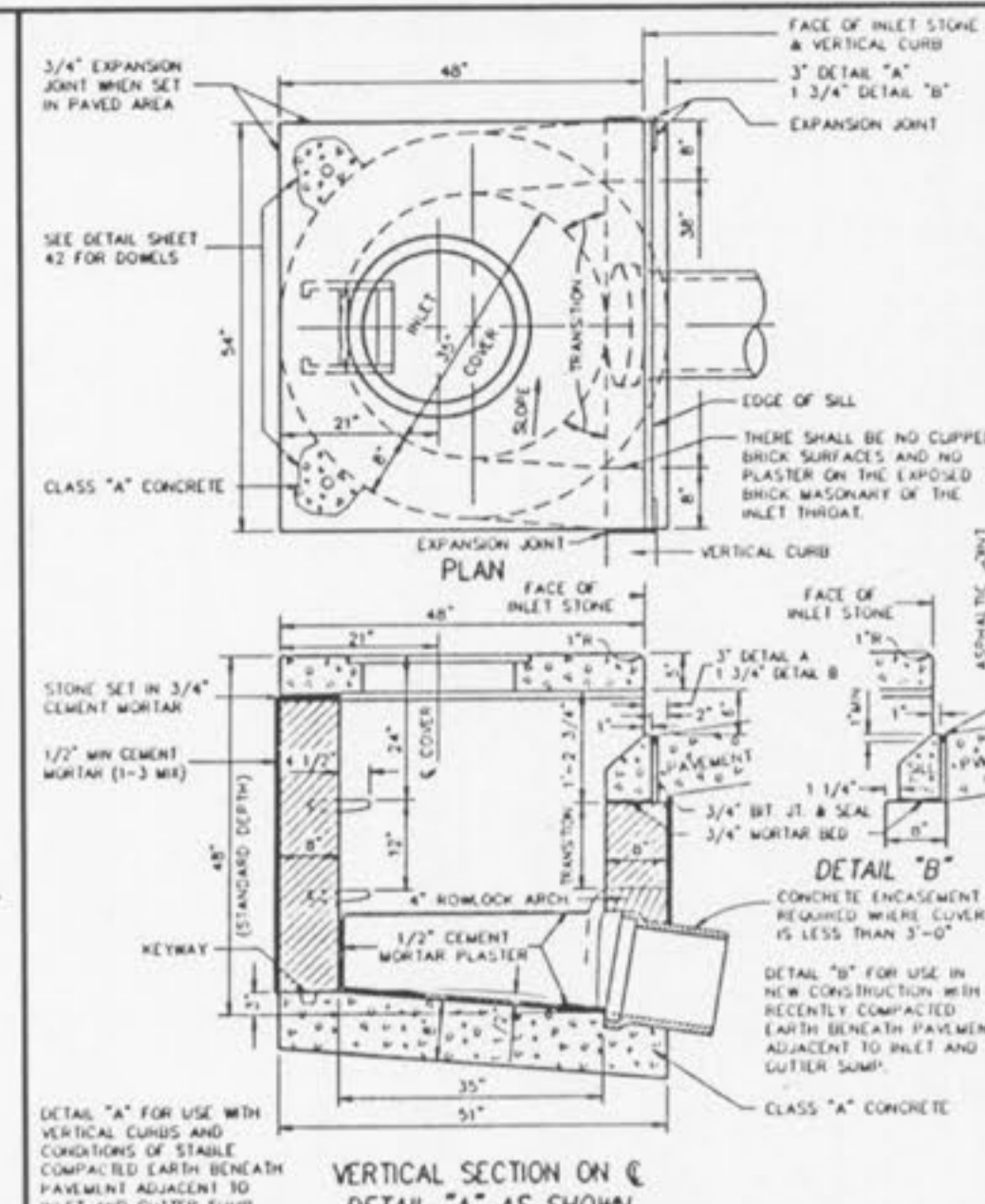
AREA INLET MANHOLE (12\"/>

PRECAST CONCRETE STORMWATER STRUCTURES
MINIMUM DISTANCE FLOWLINE TO TOP OF STONE OR GRATE

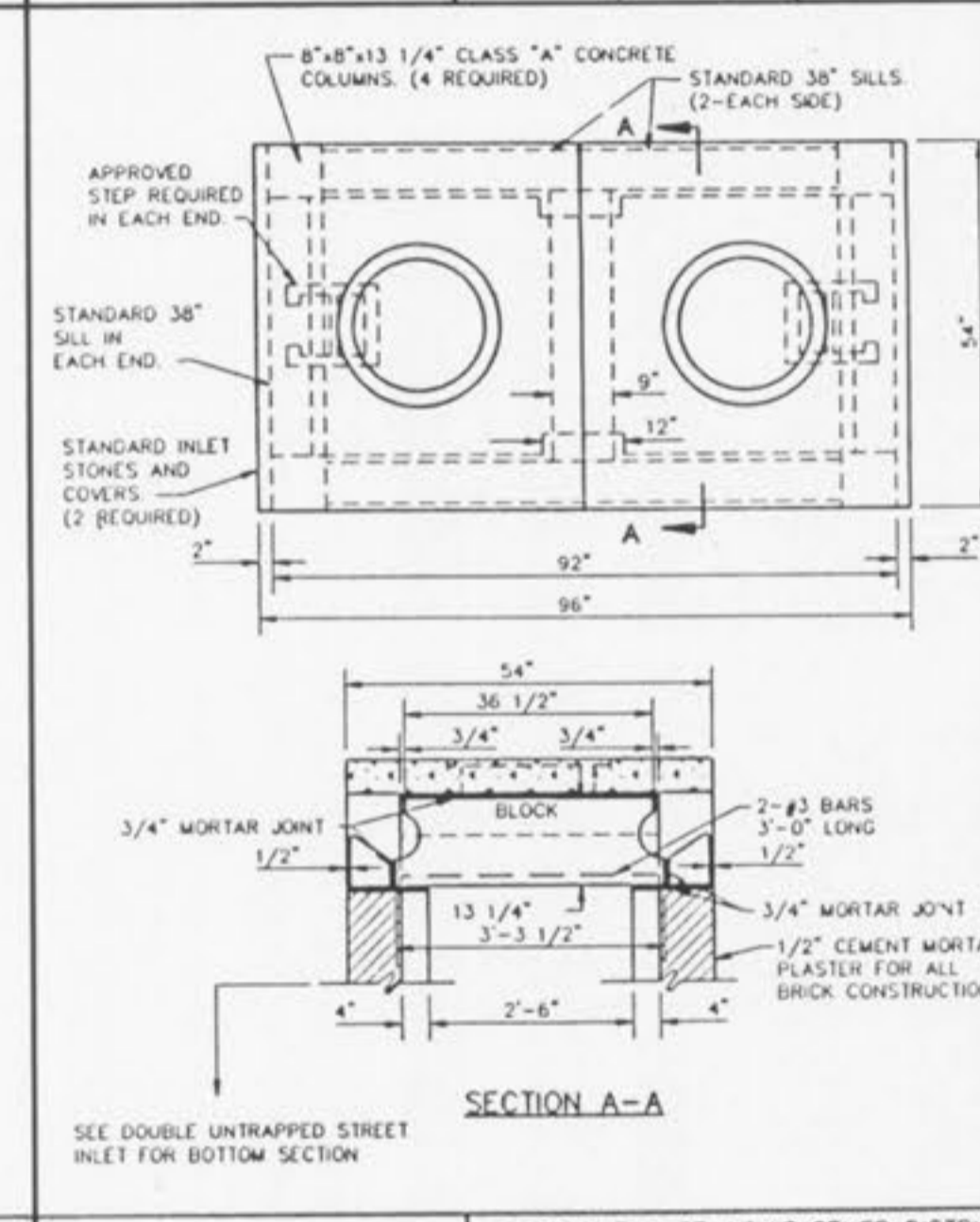
PIPE ID NOMINAL INCHES	AREA INLET CIRCULAR BASE DIA.			3 GRATE INLET CIRCULAR BASE DIA.			SQUARE CIRCULAR BASE DIA.			SQUARE RECTANGULAR BASE DIA.		
	42"	48"	60"	42"	48"	60"	(MAX)	42"	48"	60"	(MAX)	
12"	45"	48"	50"	38"	41"	43"	31"	34"	37"	41"	44"	
15"	48"	51"	54"	41"	44"	47"	34"	37"	40"	44"	47"	
18"	51"	54"	57"	44"	47"	50"	37"	40"	43"	47"	50"	
21"	54"	57"	60"	47"	50"	53"	40"	43"	46"	50"	53"	
24"	57"	60"	63"	50"	53"	56"	43"	46"	49"	53"	56"	
27"	60"	63"	66"	53"	56"	59"	46"	49"	52"	56"	59"	
30"	63"	66"	69"	56"	59"	62"	49"	52"	55"	59"	62"	
33"	66"	69"	72"	59"	62"	65"	52"	55"	58"	62"	65"	

(SEE SHEET 32 FOR DETAILS) (SEE SHEET 33 FOR DETAILS) (SEE SHEET 34 FOR DETAILS)

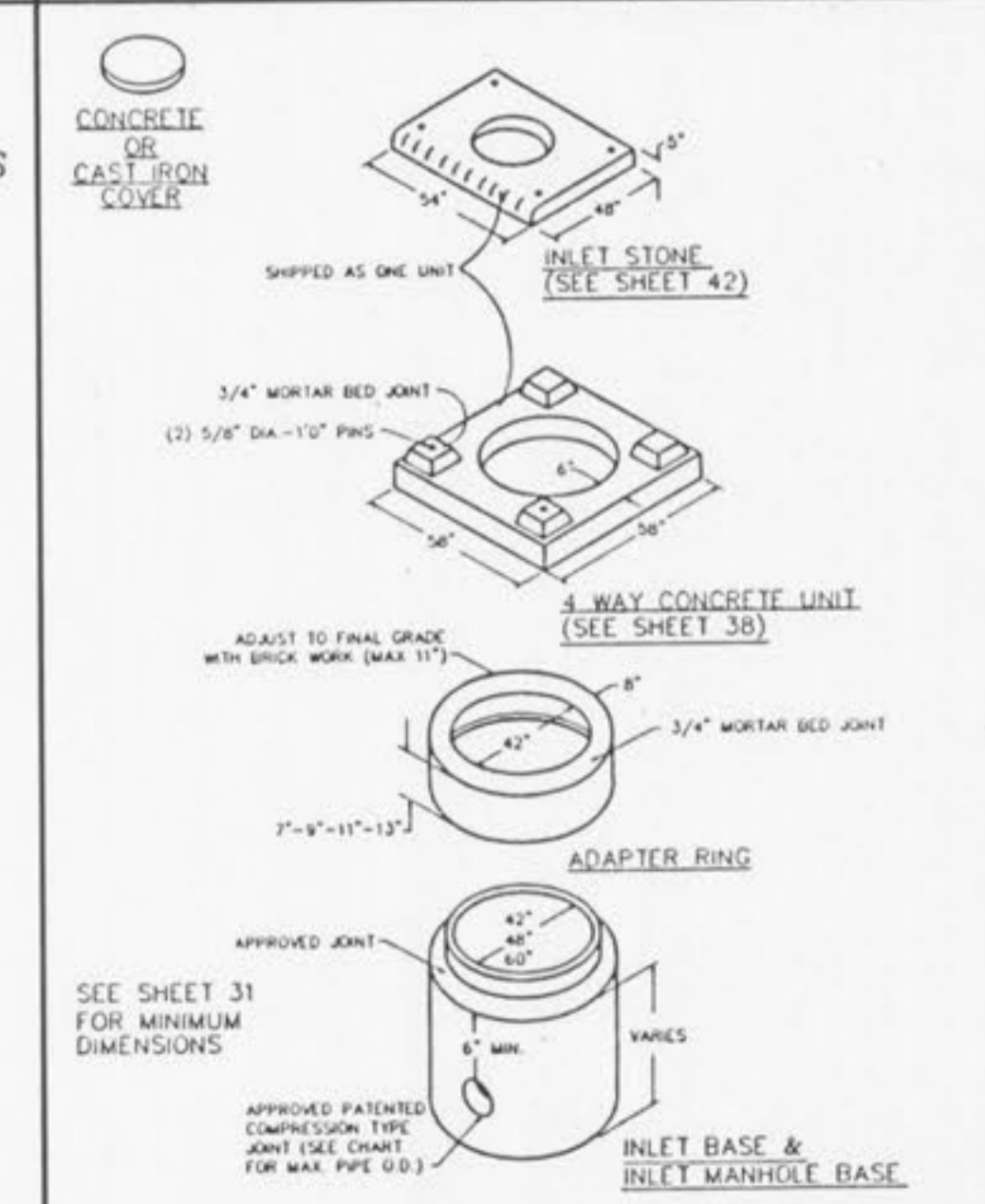
NOTE: 1. 48" DIA. BASE REQUIRES 7" HIGH TRANSITION SECTION TO 42" DIA. SIMILAR TO "ADAPTER RING" SHEET 32.
2. 60" DIA. BASE REQUIRES 24" HIGH CONCENTRIC REDUCER TRANSITION TO 42" DIA. SIMILAR TO "ADAPTER RING" SHEET 32.



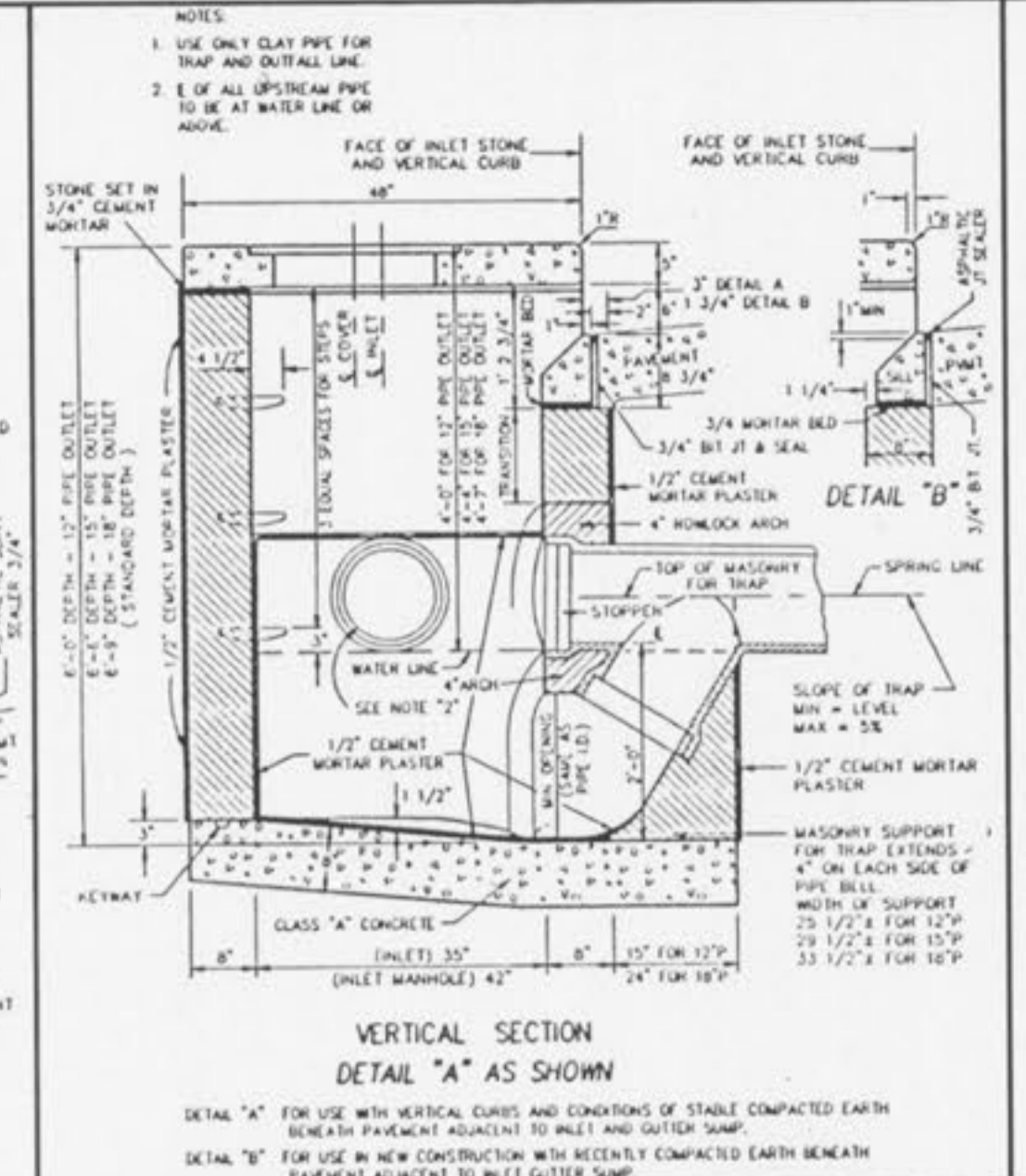
UNTRAPPED STREET INLET BRICK CONSTRUCTION
METROPOLITAN ST. LOUIS SEWER DISTRICT Standard Details of Sewer Construction
Dr. W.S.H. Ch. J.C.K. 1992 SHEET 19



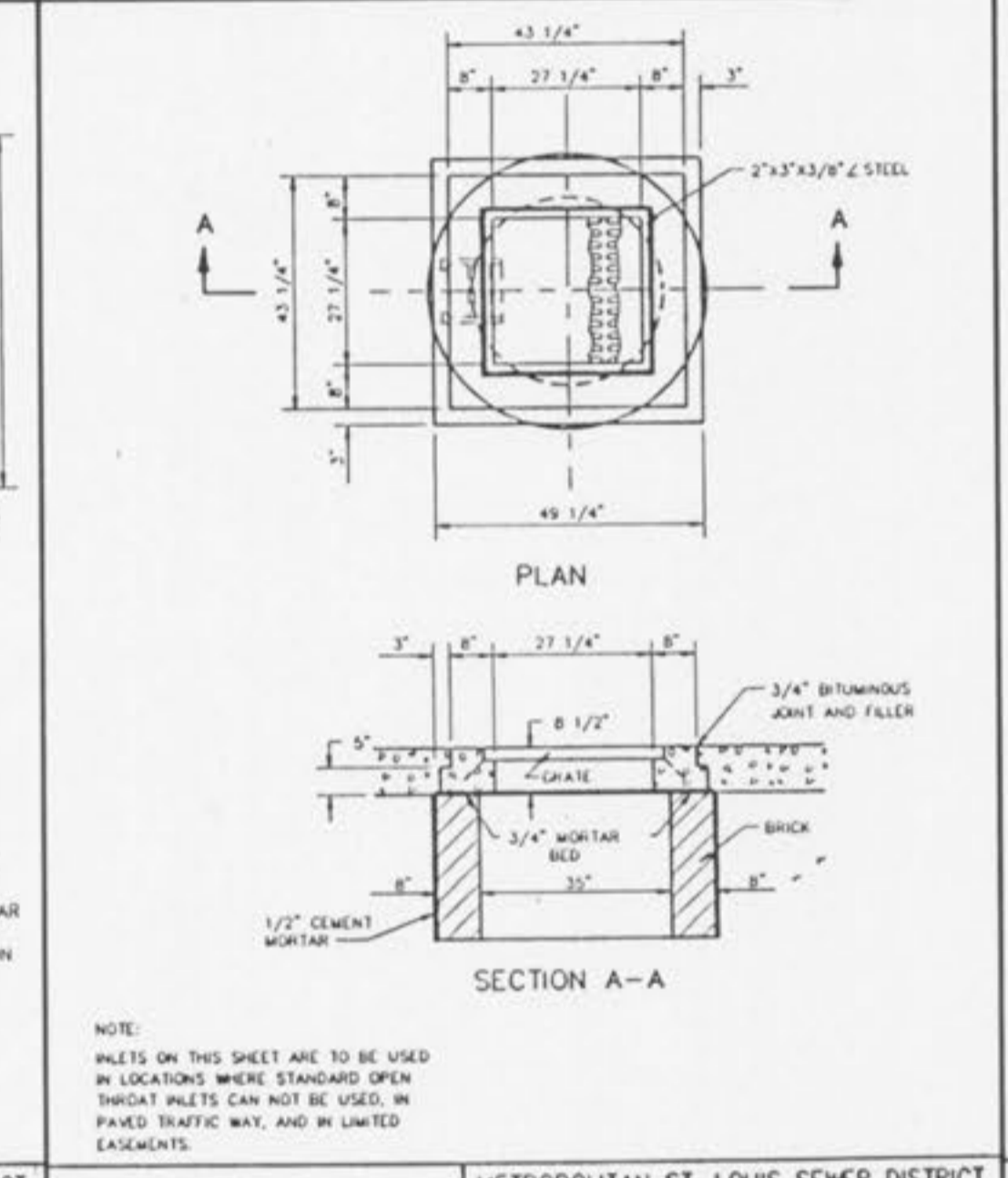
DOUBLE AREA INLET OPEN 4 SIDES BRICK CONSTRUCTION
METROPOLITAN ST. LOUIS SEWER DISTRICT Standard Details of Sewer Construction
Dr. R.C.W. Ch. J.C.K. 1992 SHEET 26



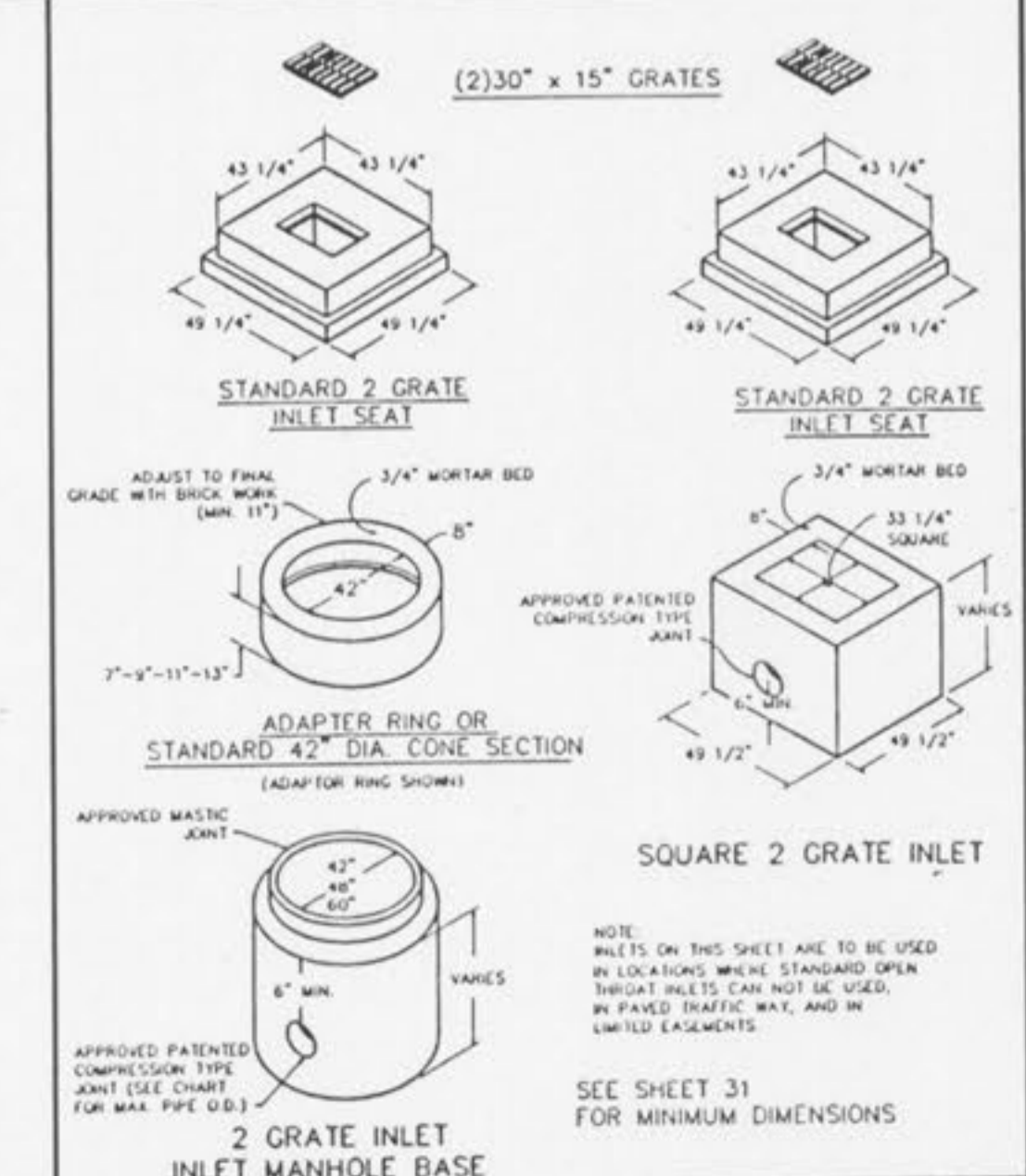
PRECAST CONCRETE STORMWATER STRUCTURES
METROPOLITAN ST. LOUIS SEWER DISTRICT Standard Details of Sewer Construction
Dr. J.L.G. Ch. J.C.K. SEPT. 1990 SHEET 31



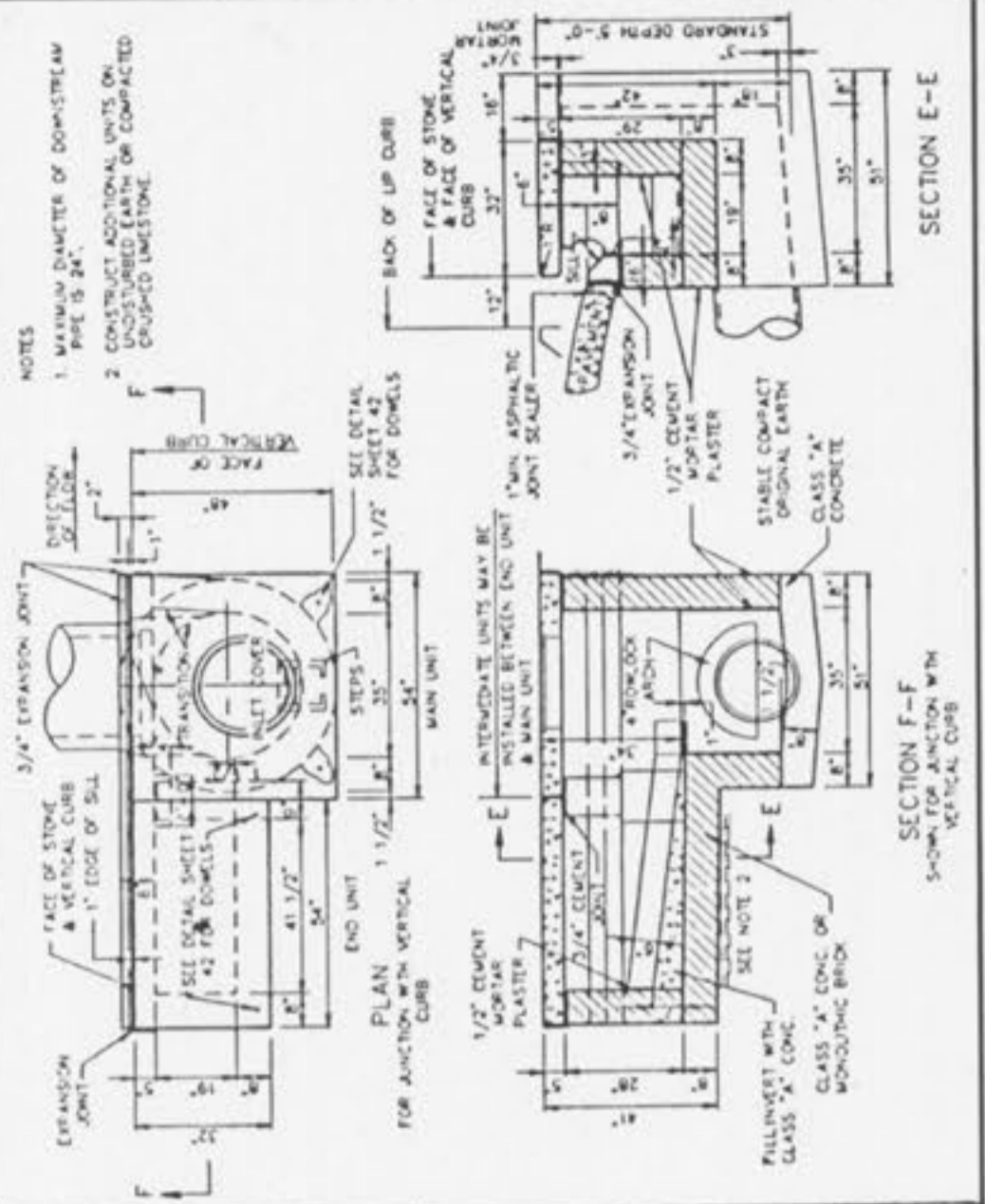
TRAPPED STREET INLET BRICK CONSTRUCTION
METROPOLITAN ST. LOUIS SEWER DISTRICT Standard Details of Sewer Construction
Dr. W.S.H. Ch. J.C.K. 1992 SHEET 21



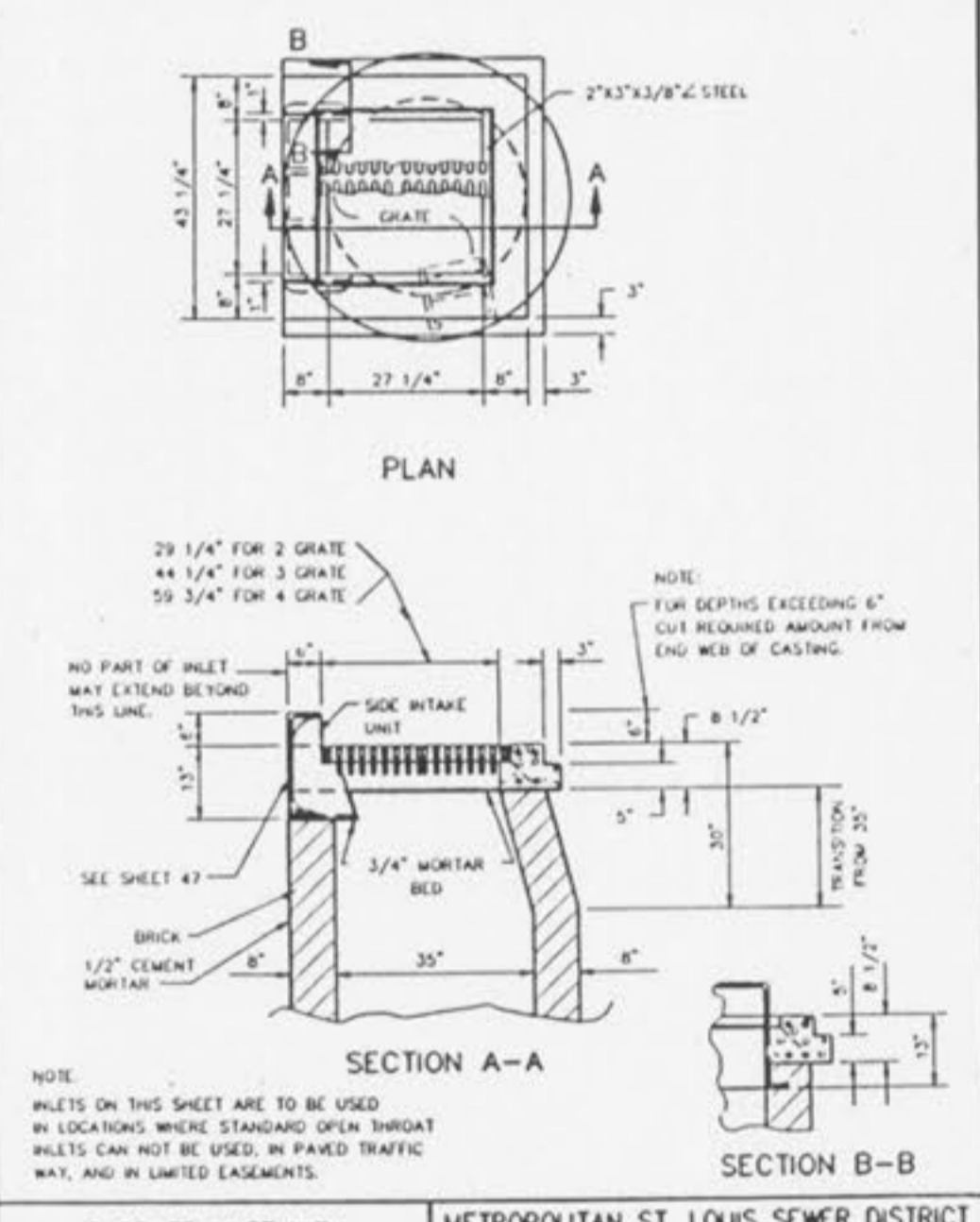
2 GRATE INLET BRICK CONSTRUCTION
METROPOLITAN ST. LOUIS SEWER DISTRICT Standard Details of Sewer Construction
Dr. R.C.W. Ch. J.C.K. 1992 SHEET 27



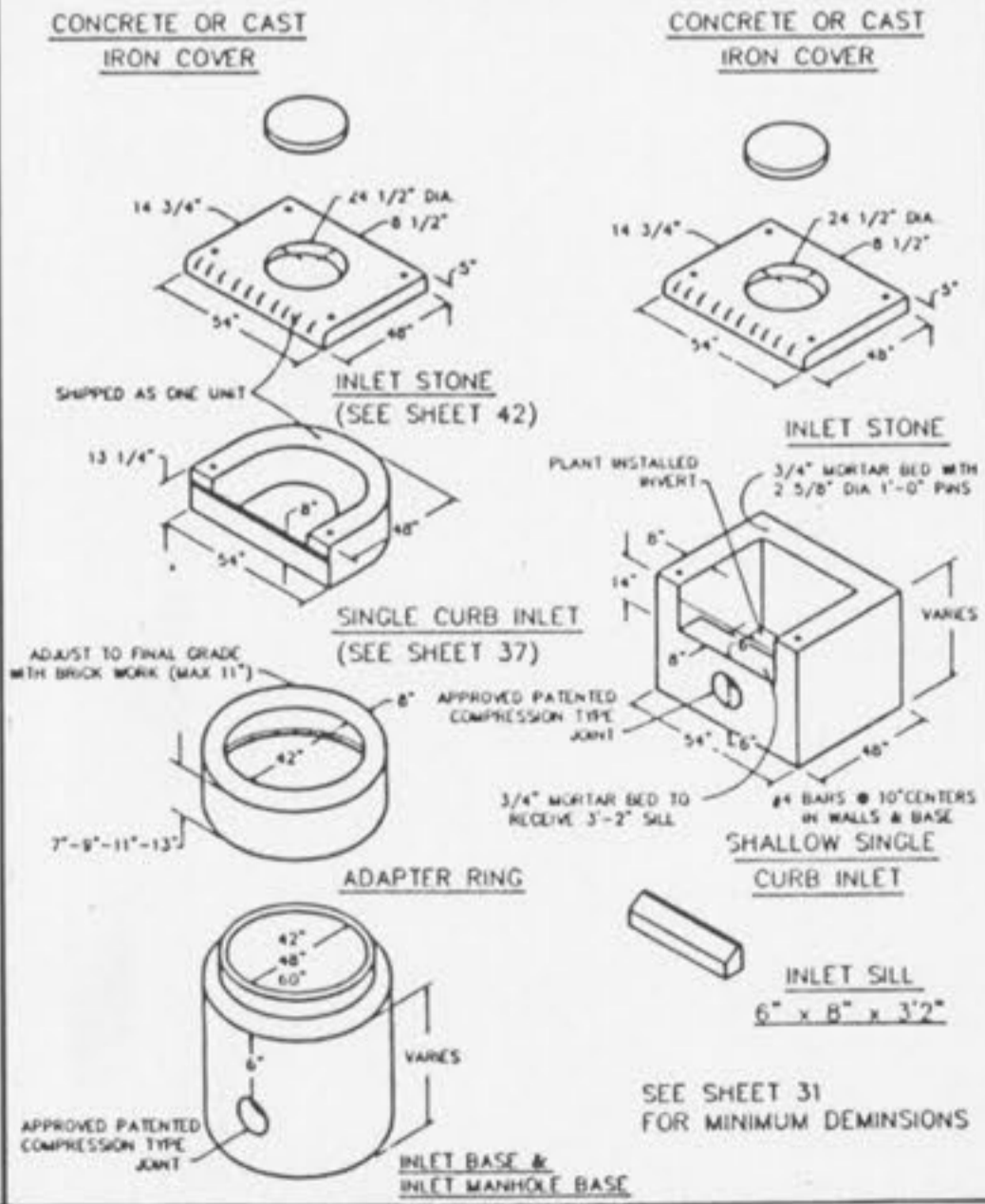
2 GRATE INLETS PRECAST CONCRETE
METROPOLITAN ST. LOUIS SEWER DISTRICT Standard Details of Sewer Construction
Dr. J.L.G. Ch. J.C.K. APRIL 1992 SHEET 33



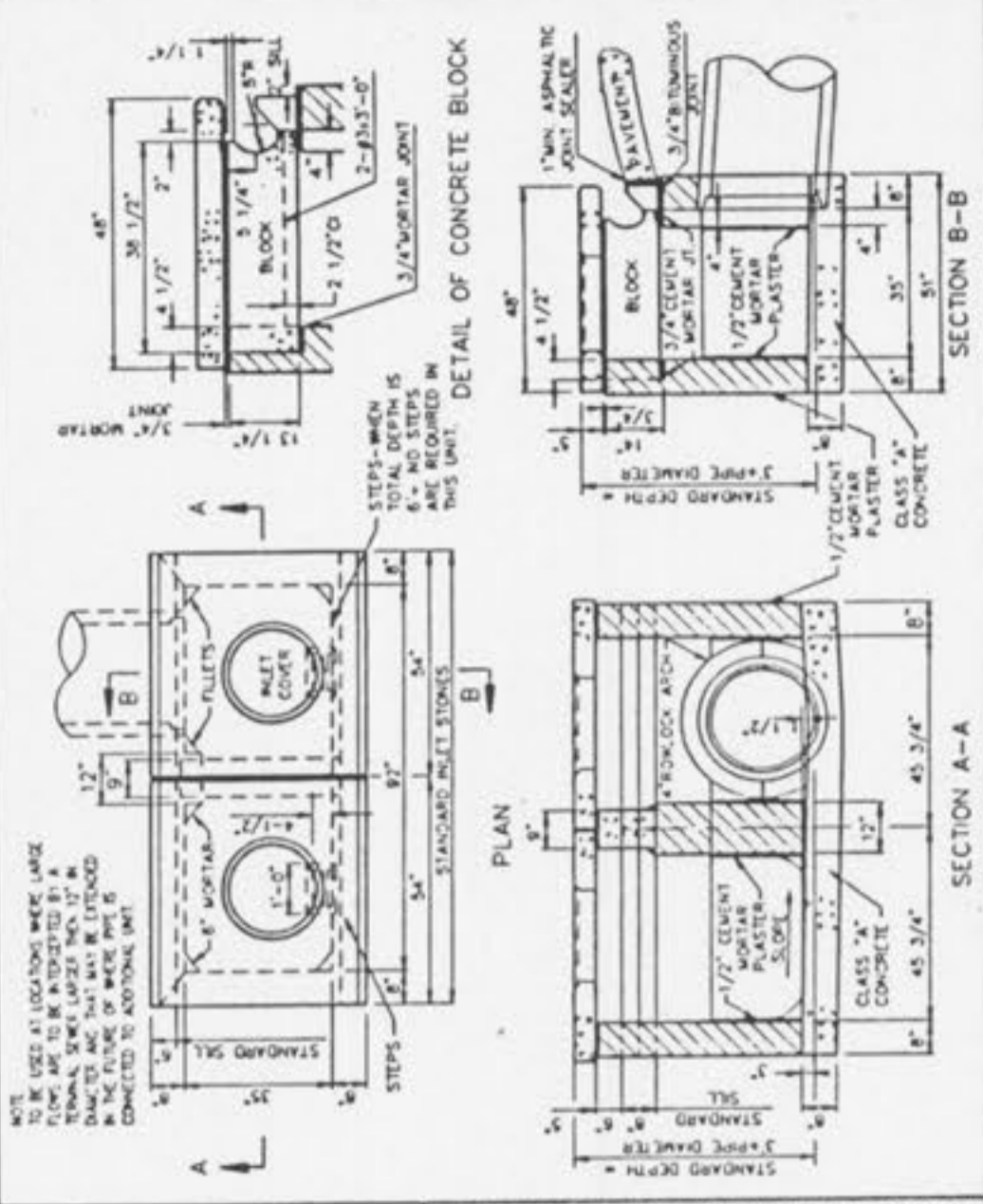
MULTIPLE STREET INLET BRICK CONSTRUCTION
METROPOLITAN ST. LOUIS SEWER DISTRICT Standard Details of Sewer Construction
Dr. D.A.B. Ch. J.C.K. 1992 SHEET 22



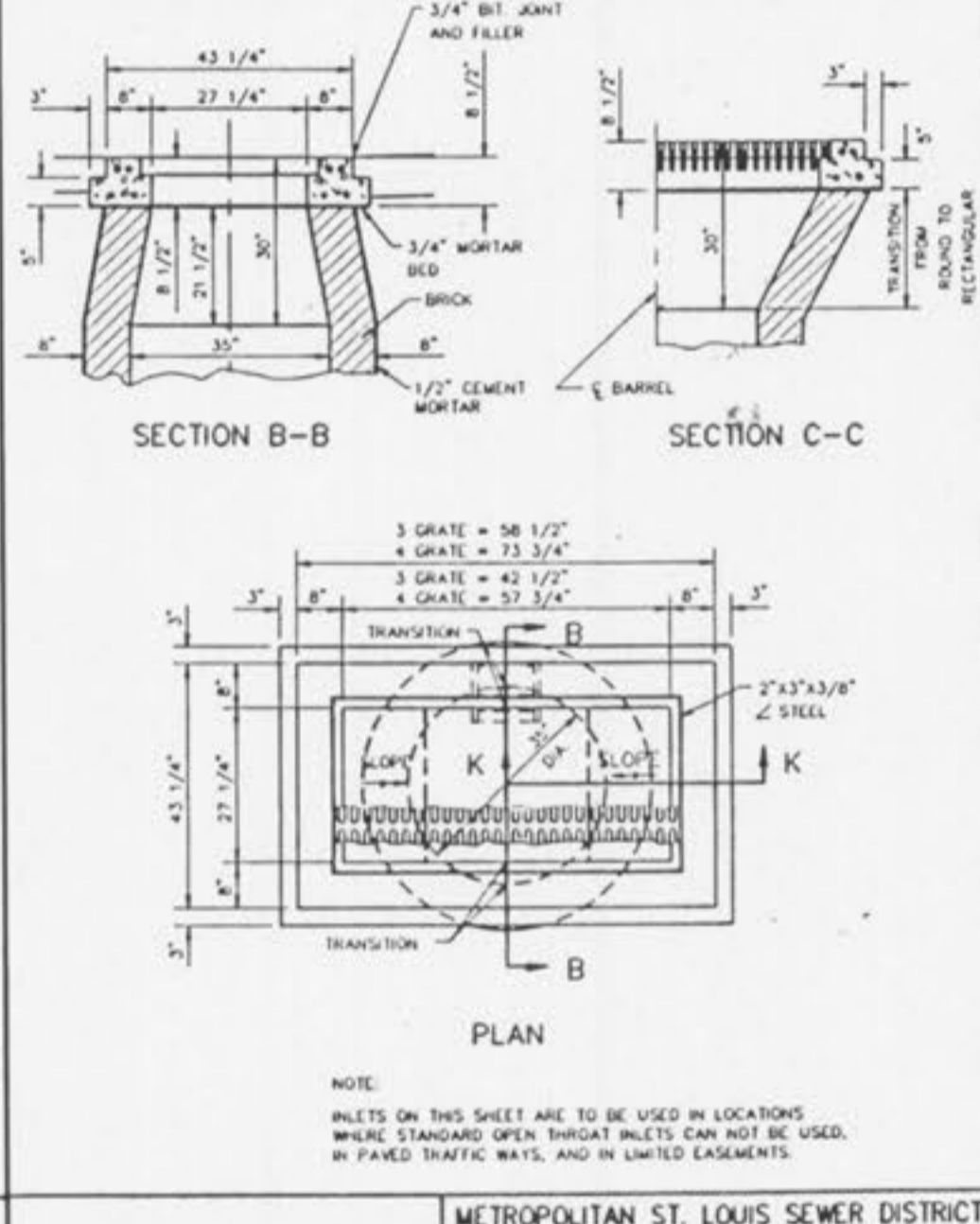
2 GRATE INLET WITH SIDE INTAKE BRICK CONSTRUCTION
METROPOLITAN ST. LOUIS SEWER DISTRICT Standard Details of Sewer Construction
Dr. R.C.W. Ch. J.C.K. 1992 SHEET 28



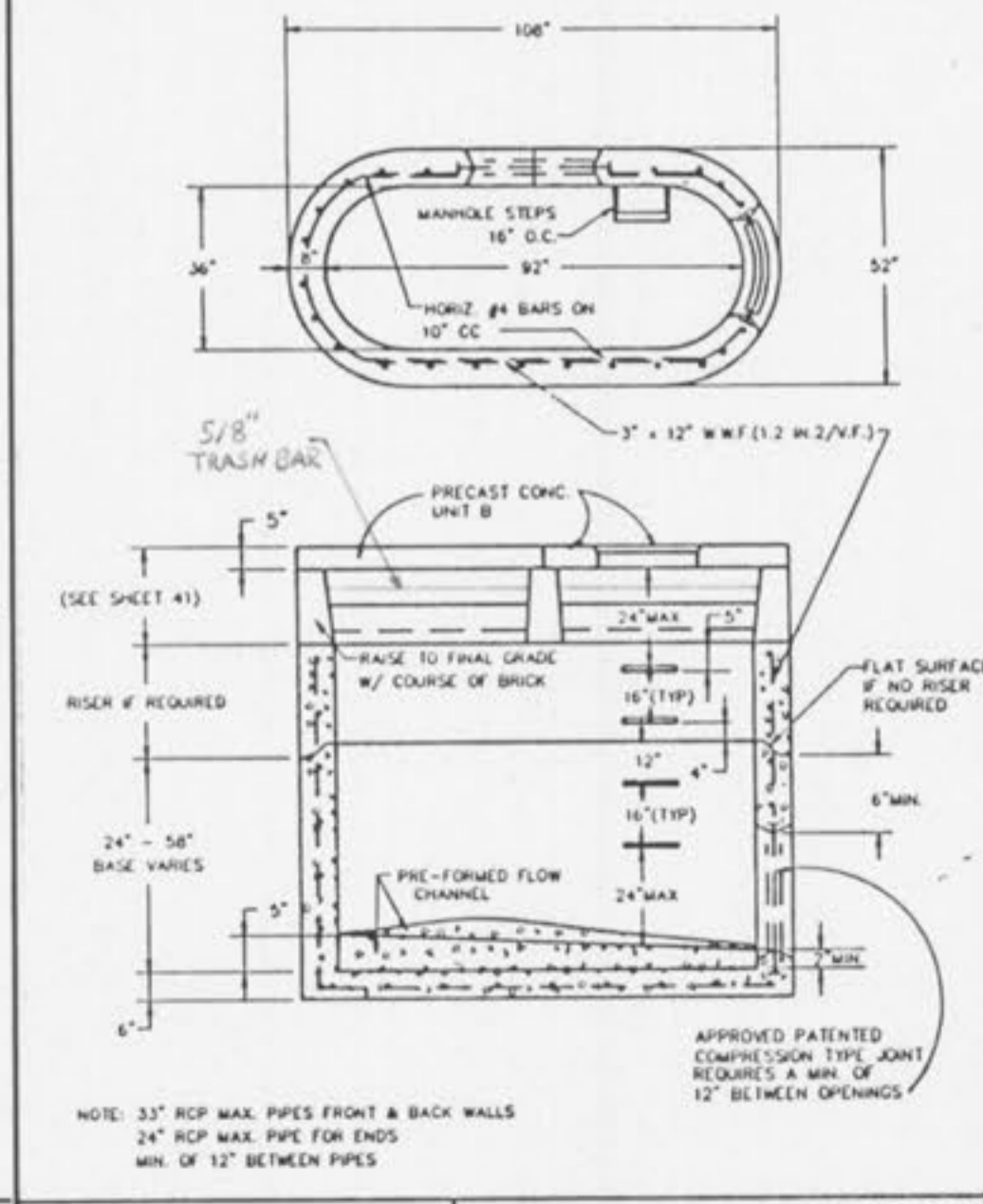
SINGLE STREET INLETS PRECAST CONCRETE
METROPOLITAN ST. LOUIS SEWER DISTRICT Standard Details of Sewer Construction
Dr. J.L.G. Ch. J.C.K. APRIL 1991 SHEET 34



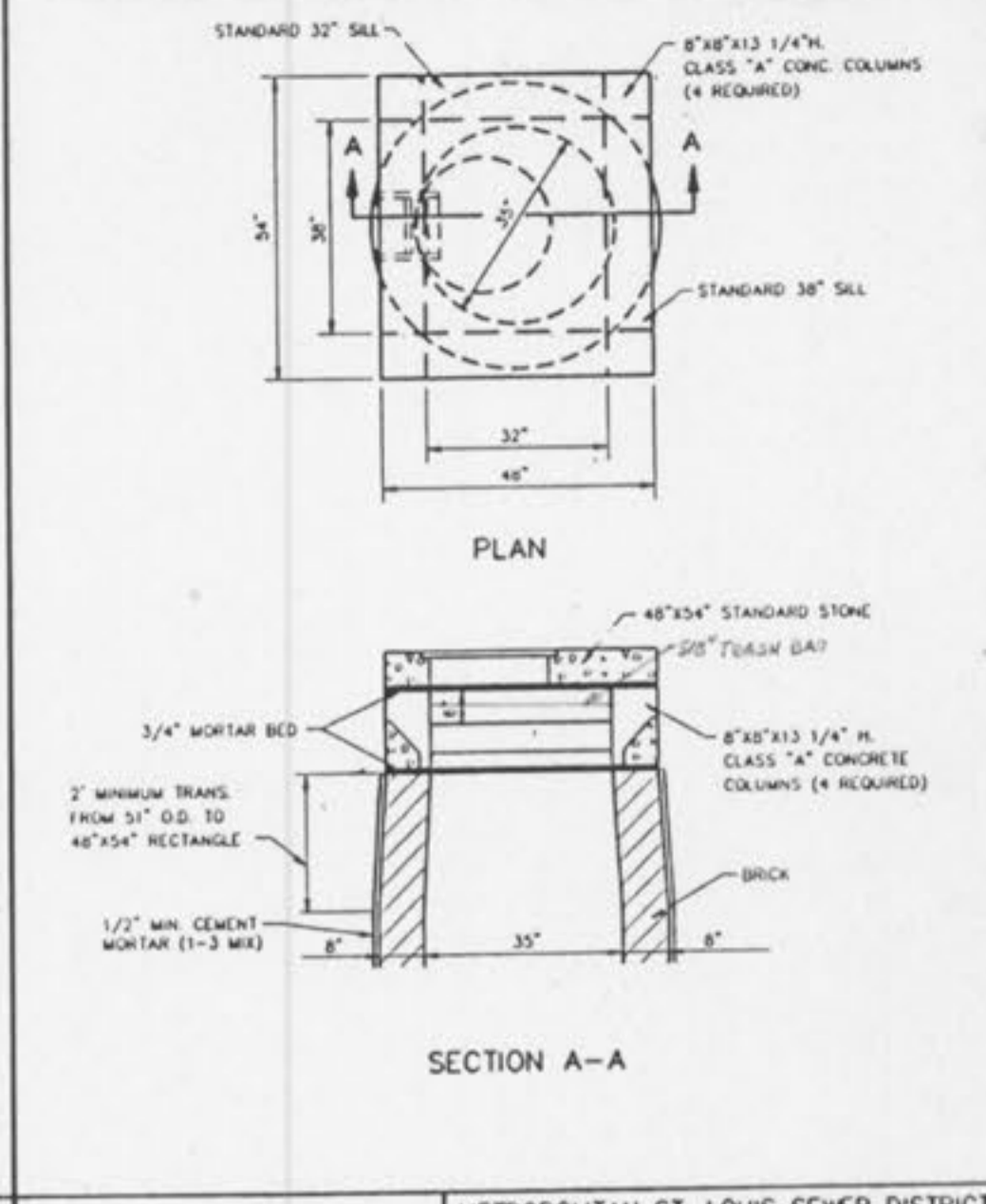
DOUBLE UNTRAPPED STREET INLET BRICK CONSTRUCTION
METROPOLITAN ST. LOUIS SEWER DISTRICT Standard Details of Sewer Construction
Dr. D.A.B. Ch. J.C.K. 1992 SHEET 23



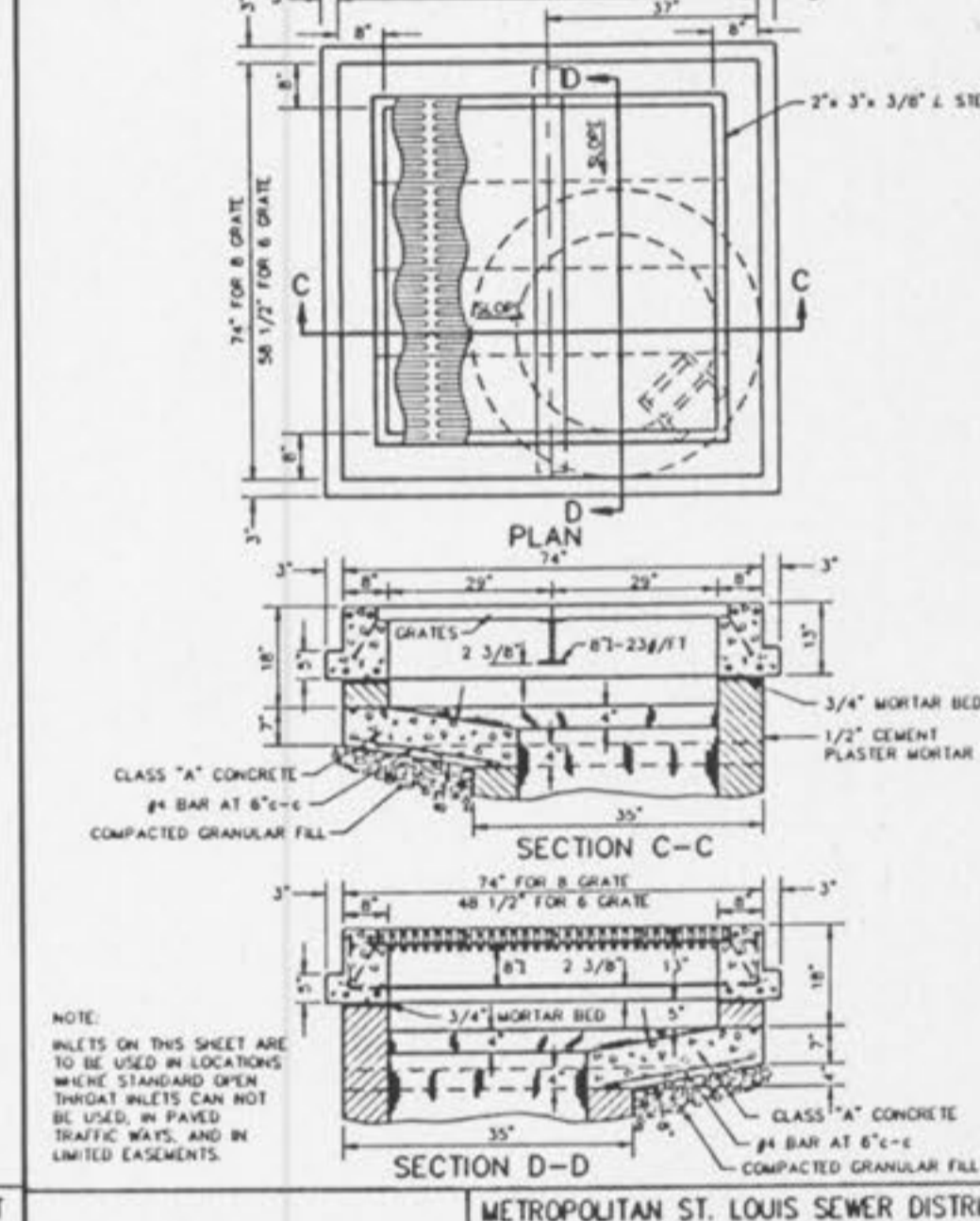
3 & 4 GRATE INLET BRICK CONSTRUCTION
METROPOLITAN ST. LOUIS SEWER DISTRICT Standard Details of Sewer Construction
Dr. R.C.W. Ch. J.C.K. 1992 SHEET 29



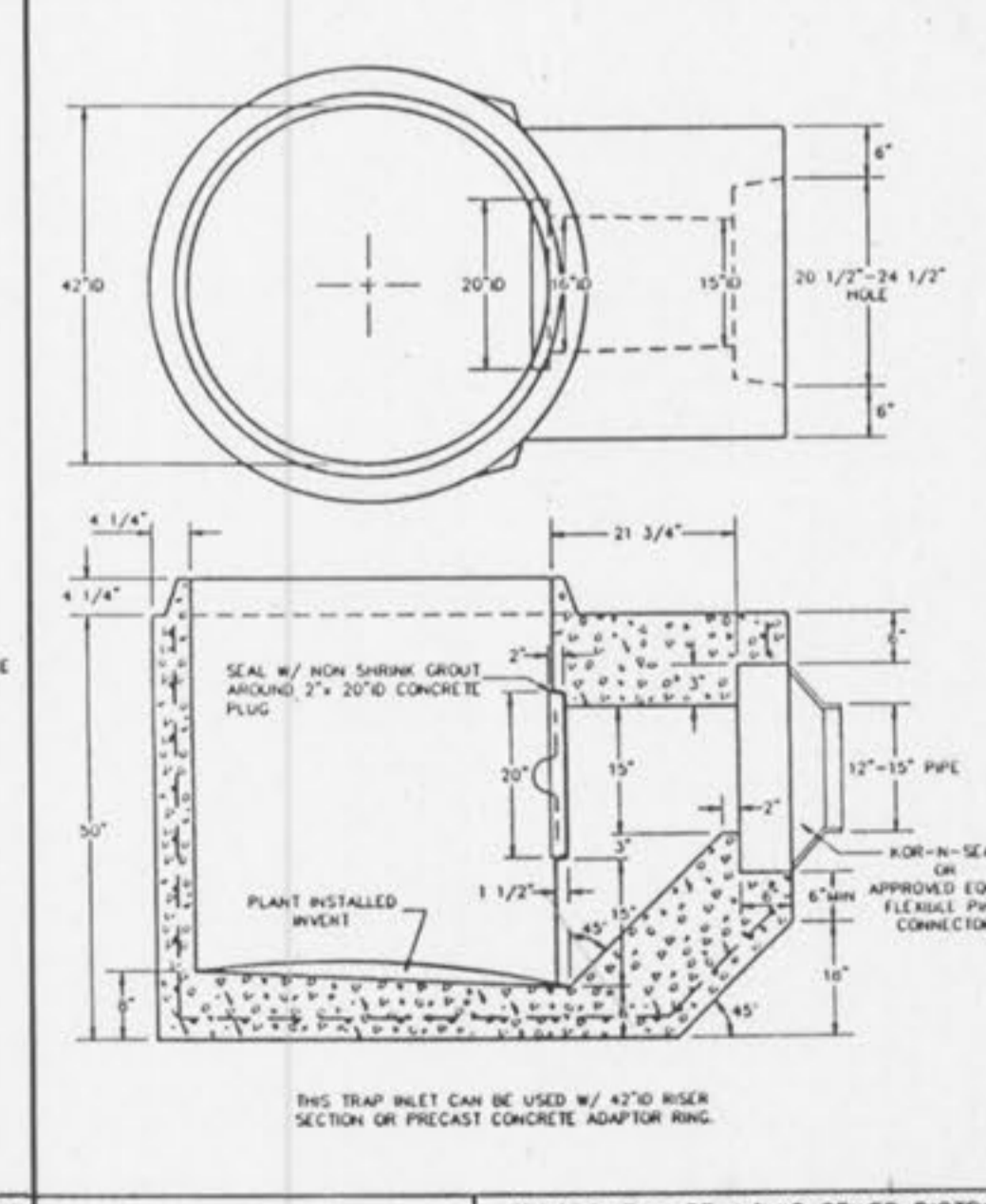
DOUBLE UNTRAPPED STREET INLET PRECAST CONCRETE
METROPOLITAN ST. LOUIS SEWER DISTRICT Standard Details of Sewer Construction
Dr. J.L.G. Ch. J.C.K. SEPT. 1992 SHEET 35



AREA INLET OPEN 4 SIDES BRICK CONSTRUCTION
METROPOLITAN ST. LOUIS SEWER DISTRICT Standard Details of Sewer Construction
Dr. R.C.W. Ch. J.C.K. 1992 SHEET 24



6 & 8 GRATE INLET BRICK CONSTRUCTION
METROPOLITAN ST. LOUIS SEWER DISTRICT Standard Details of Sewer Construction
Dr. W.S.H. Ch. J.C.K. 1992 SHEET 30



TRAPPED STREET INLET BASE PRECAST CONCRETE
METROPOLITAN ST. LOUIS SEWER DISTRICT Standard Details of Sewer Construction
Dr. W.S.H. Ch. J.C.K. 1992 SHEET 36