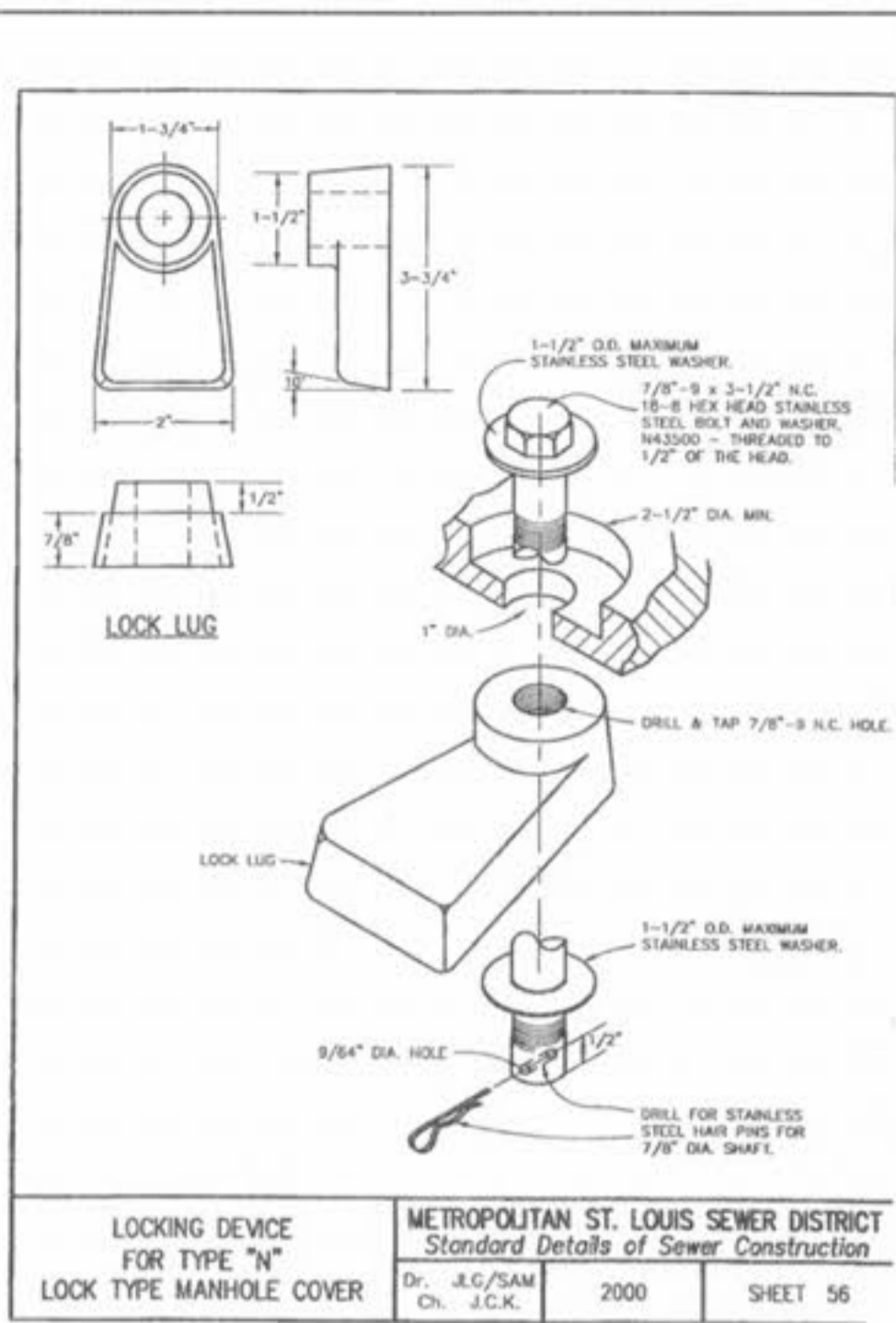
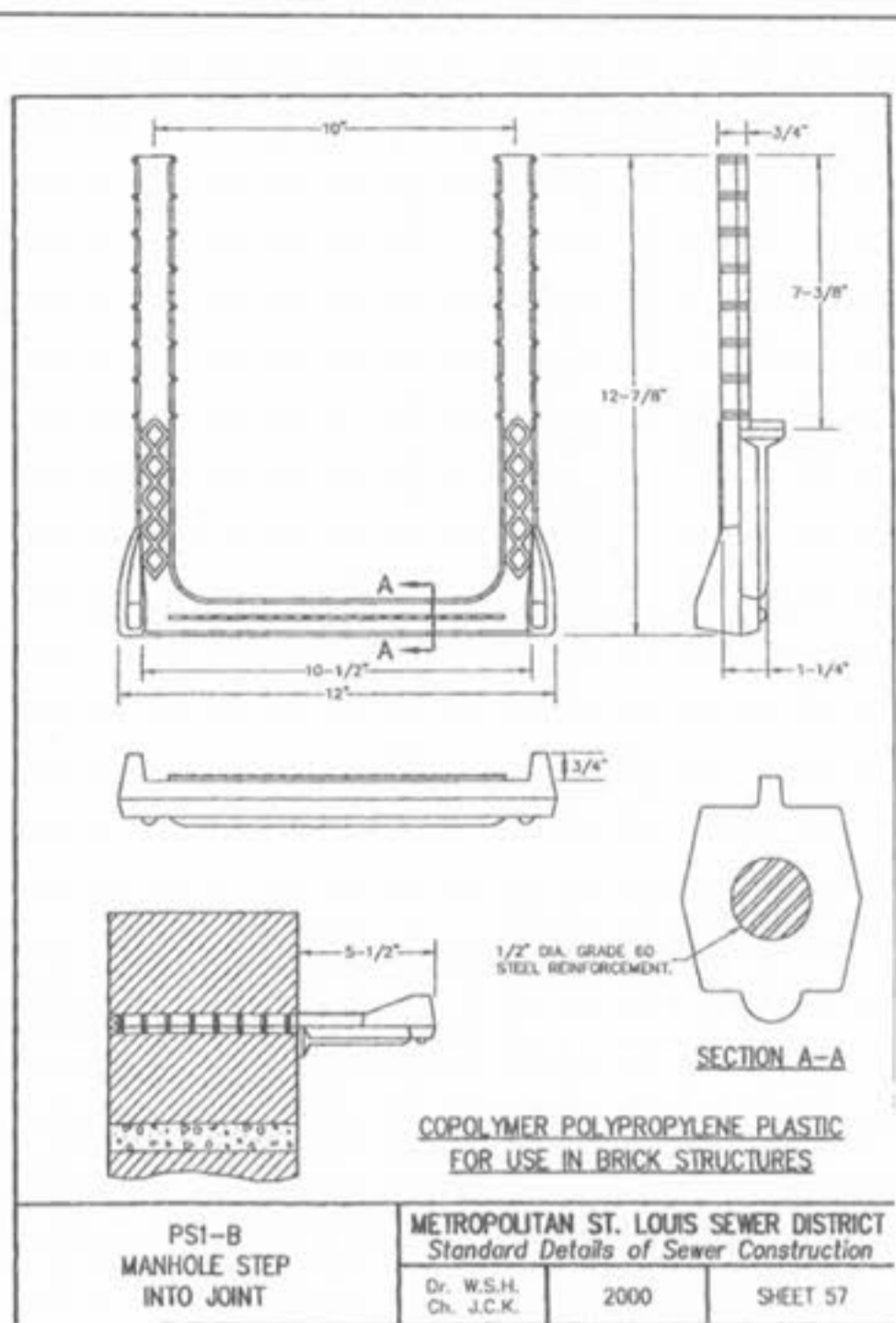


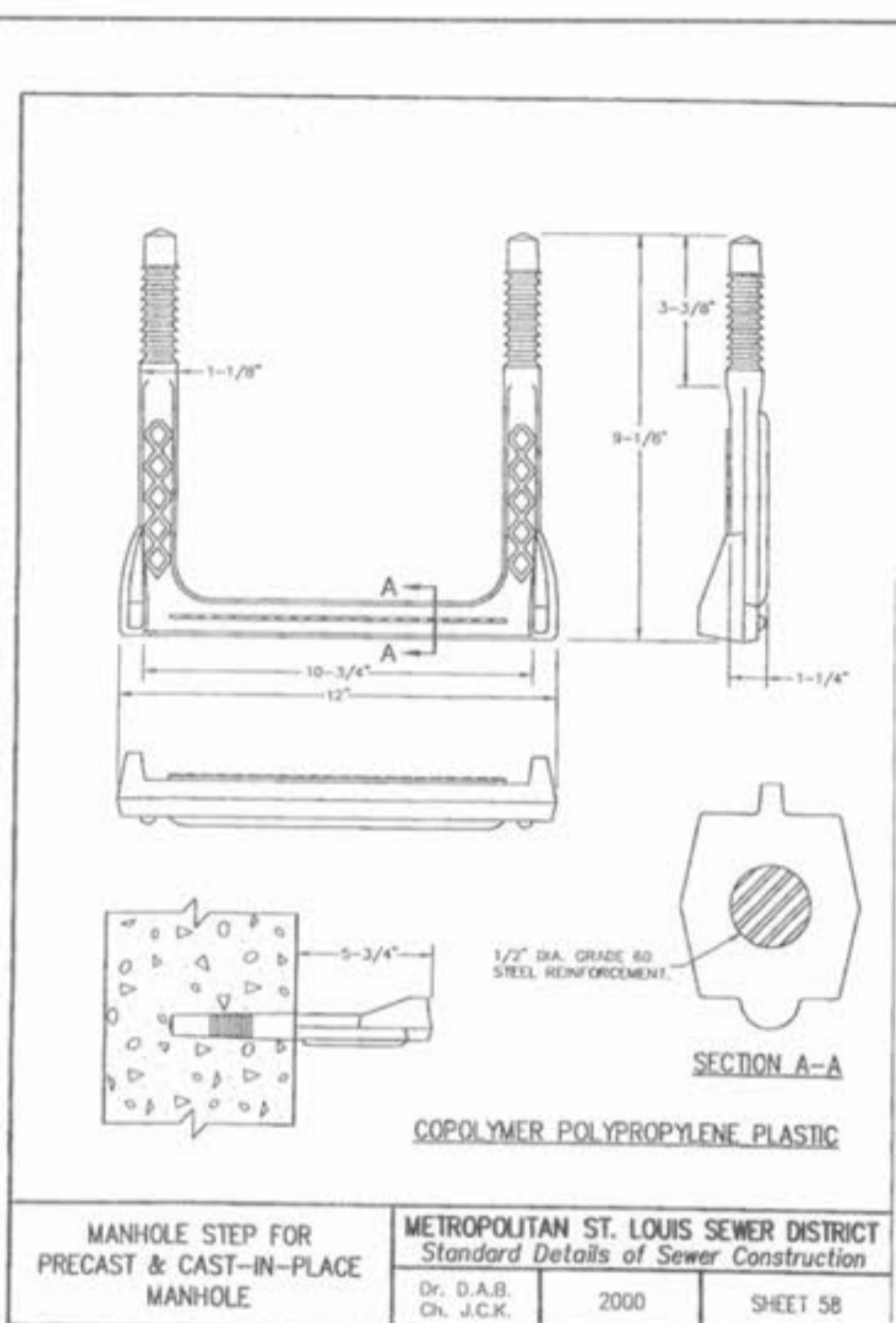
**LOCKING DEVICE FOR TYPE T LOCK TYPE MANHOLE COVER**  
 METROPOLITAN ST. LOUIS SEWER DISTRICT  
 Standard Details of Sewer Construction  
 Dr. RGH/SAM Ch. J.C.K. 2000 SHEET 55



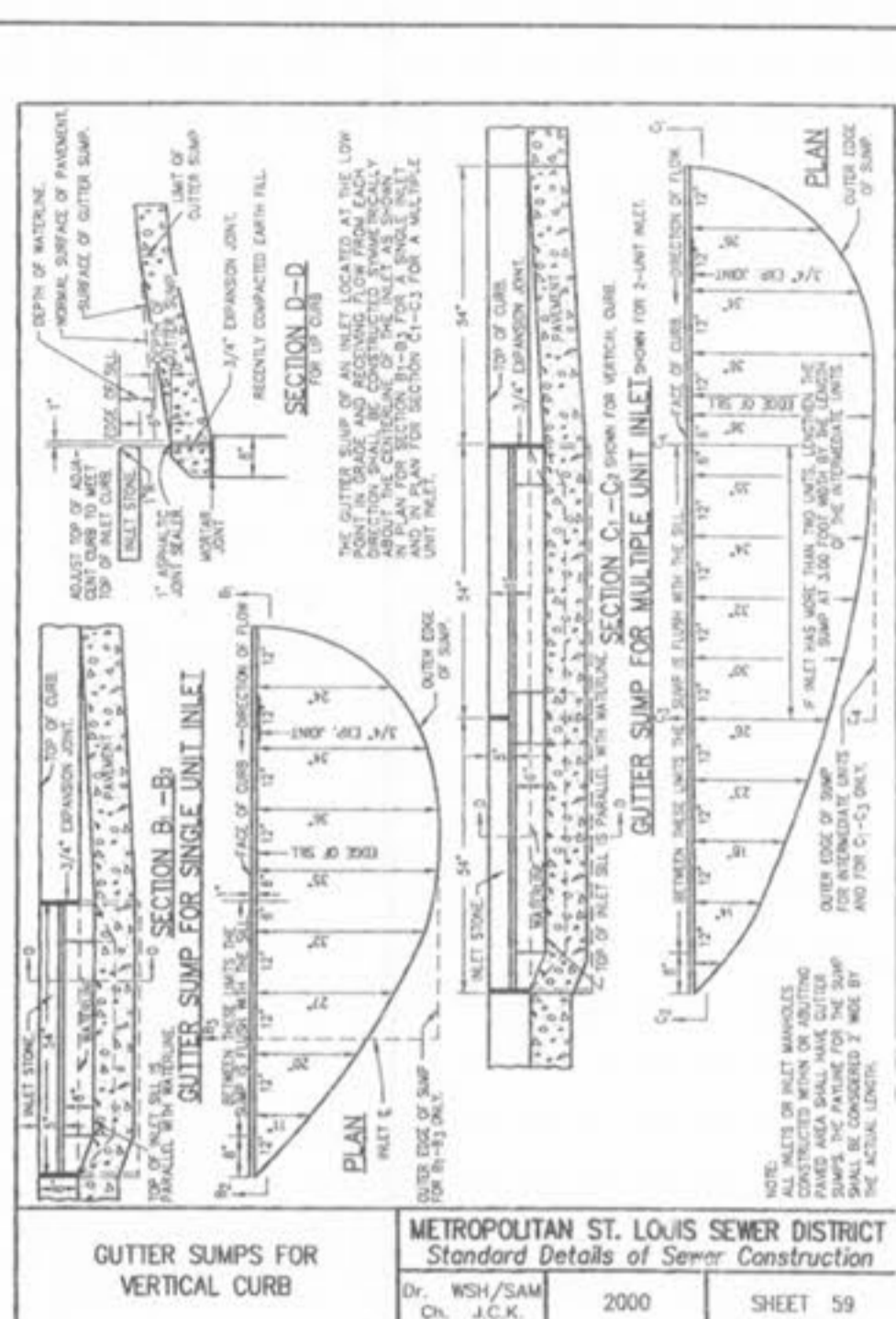
**LOCKING DEVICE FOR TYPE N LOCK TYPE MANHOLE COVER**  
 METROPOLITAN ST. LOUIS SEWER DISTRICT  
 Standard Details of Sewer Construction  
 Dr. RGH/SAM Ch. J.C.K. 2000 SHEET 56



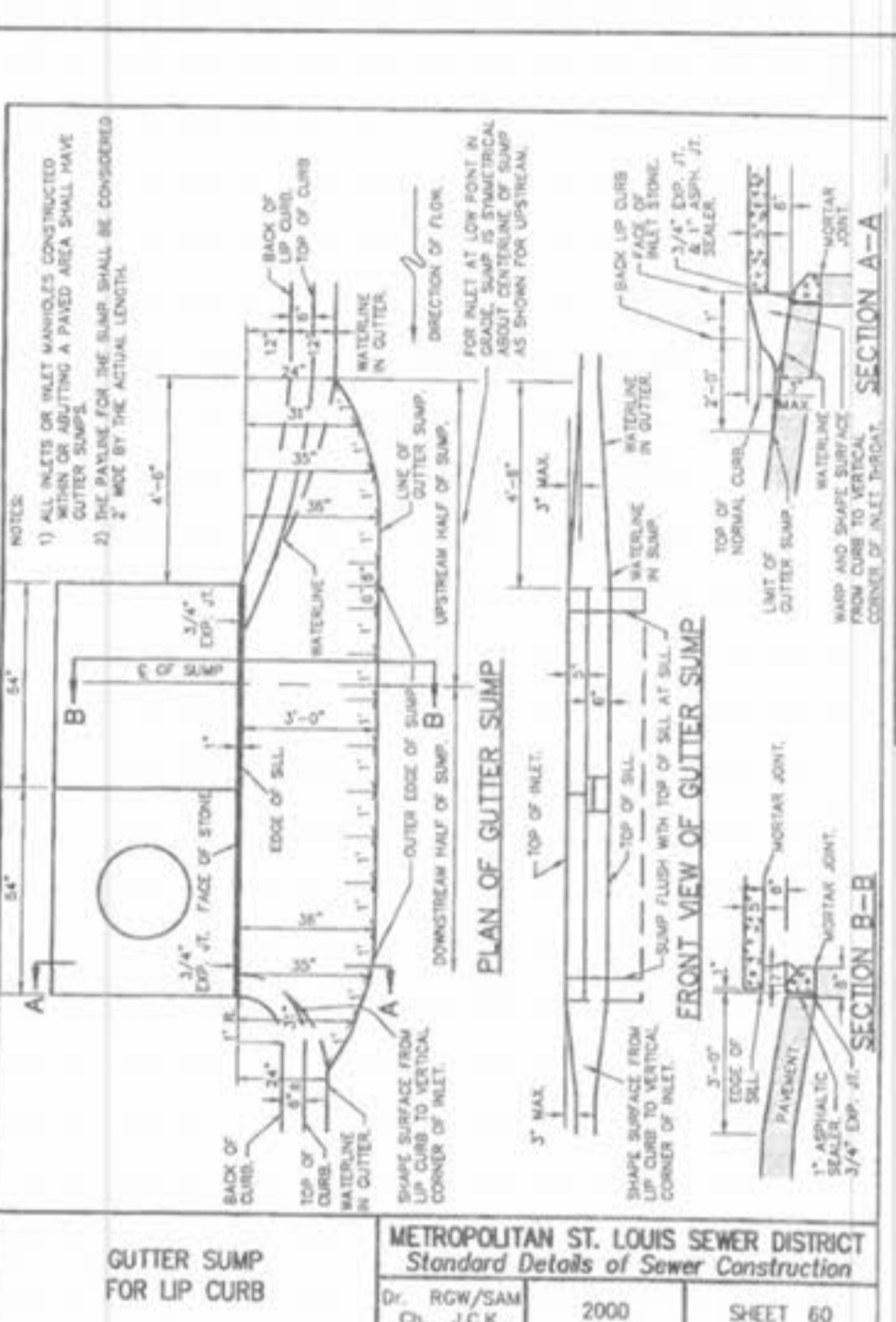
**PSI-B MANHOLE STEP INTO JOINT**  
 METROPOLITAN ST. LOUIS SEWER DISTRICT  
 Standard Details of Sewer Construction  
 Dr. W.S.H. Ch. J.C.K. 2000 SHEET 57



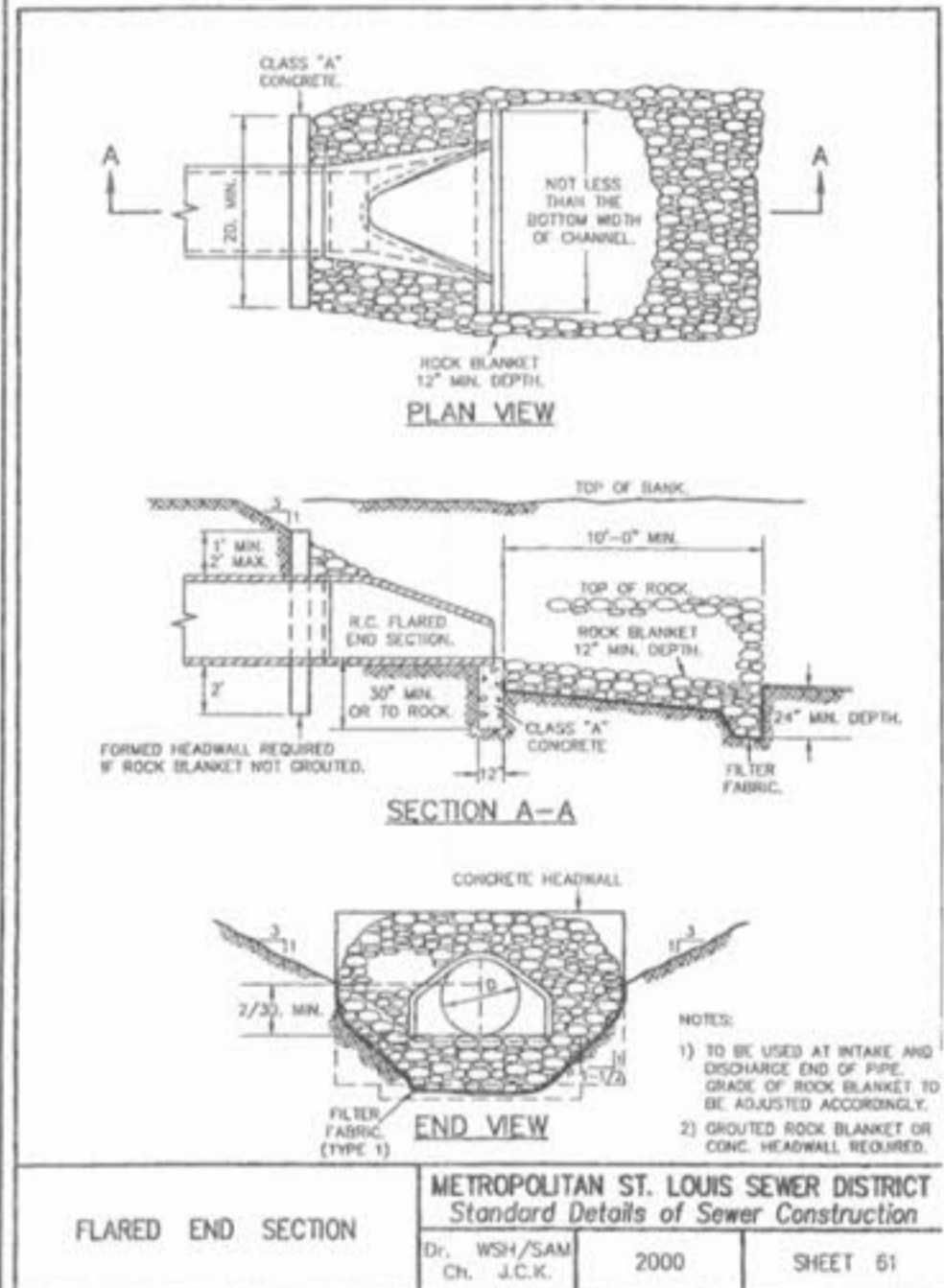
**MANHOLE STEP FOR PRECAST CAST-IN-PLACE MANHOLE**  
 METROPOLITAN ST. LOUIS SEWER DISTRICT  
 Standard Details of Sewer Construction  
 Dr. D.A.B. Ch. J.C.K. 2000 SHEET 58



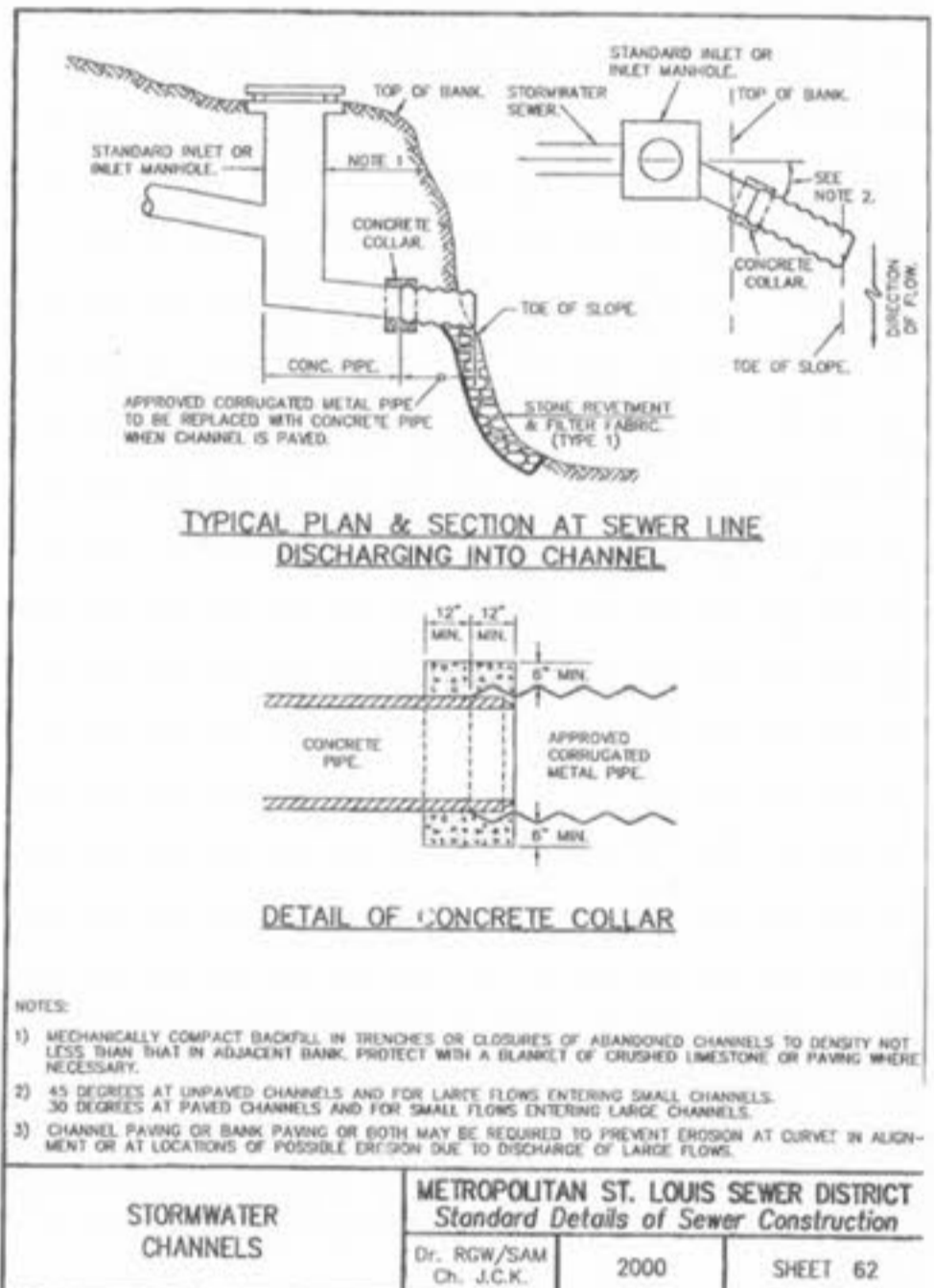
**GUTTER SUMPS FOR VERTICAL CURB**  
 METROPOLITAN ST. LOUIS SEWER DISTRICT  
 Standard Details of Sewer Construction  
 Dr. WSH/SAM Ch. J.C.K. 2000 SHEET 59



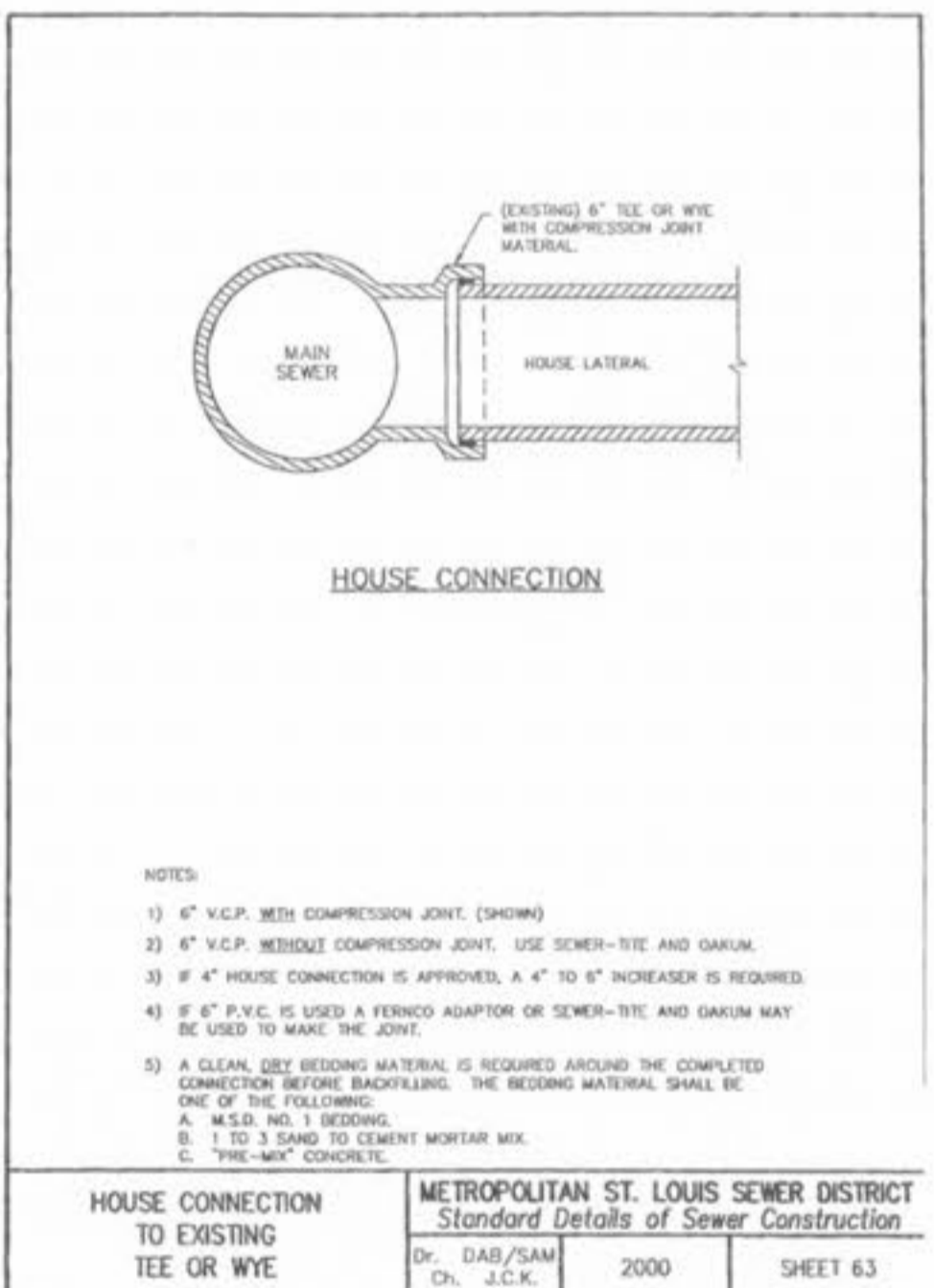
**GUTTER SUMP FOR LIP CURB**  
 METROPOLITAN ST. LOUIS SEWER DISTRICT  
 Standard Details of Sewer Construction  
 Dr. RGH/SAM Ch. J.C.K. 2000 SHEET 60



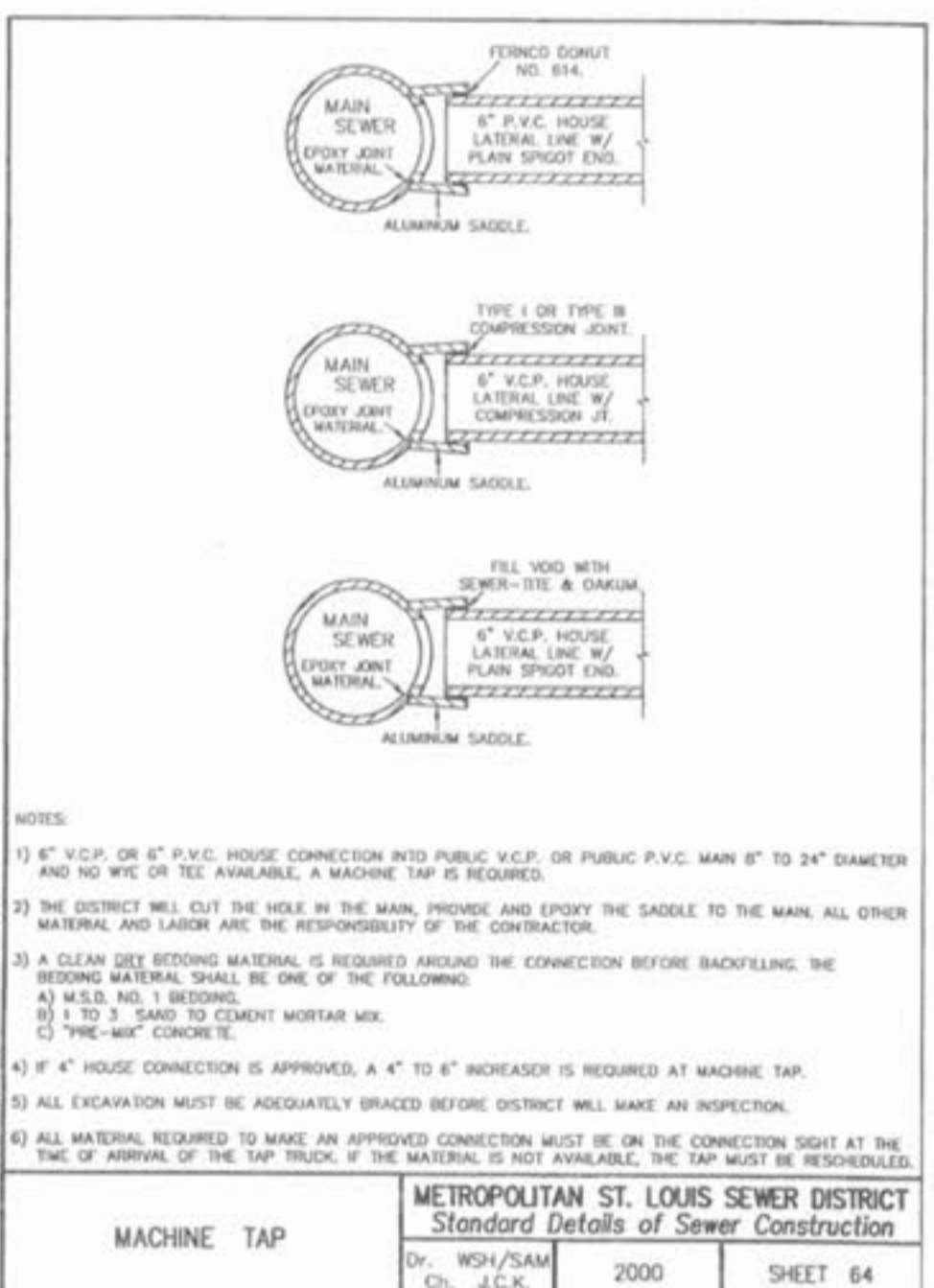
**FLARED END SECTION**  
 METROPOLITAN ST. LOUIS SEWER DISTRICT  
 Standard Details of Sewer Construction  
 Dr. WSH/SAM Ch. J.C.K. 2000 SHEET 61



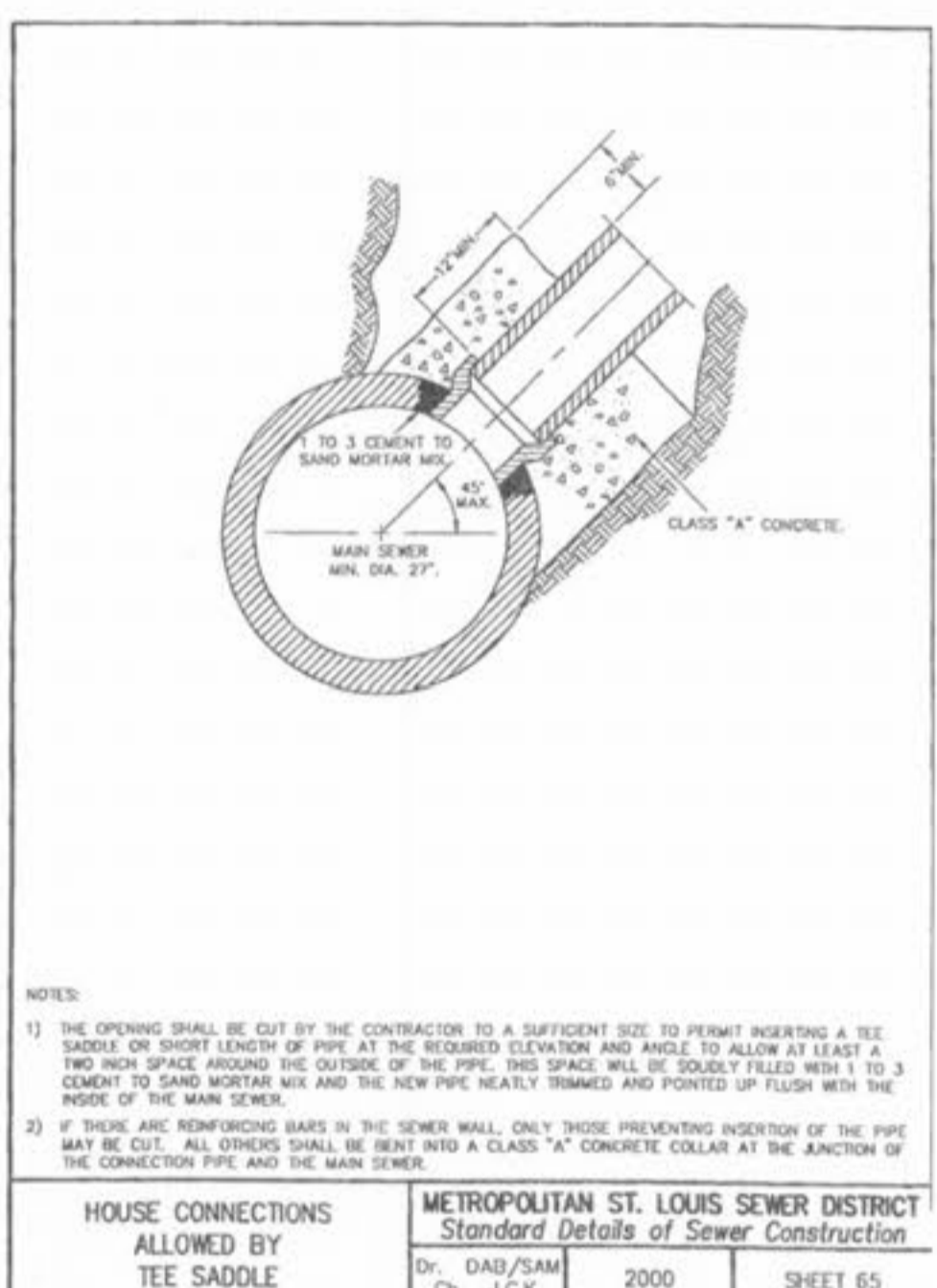
**TYPICAL PLAN & SECTION AT SEWER LINE DISCHARGING INTO CHANNEL**  
 METROPOLITAN ST. LOUIS SEWER DISTRICT  
 Standard Details of Sewer Construction  
 Dr. RGH/SAM Ch. J.C.K. 2000 SHEET 62



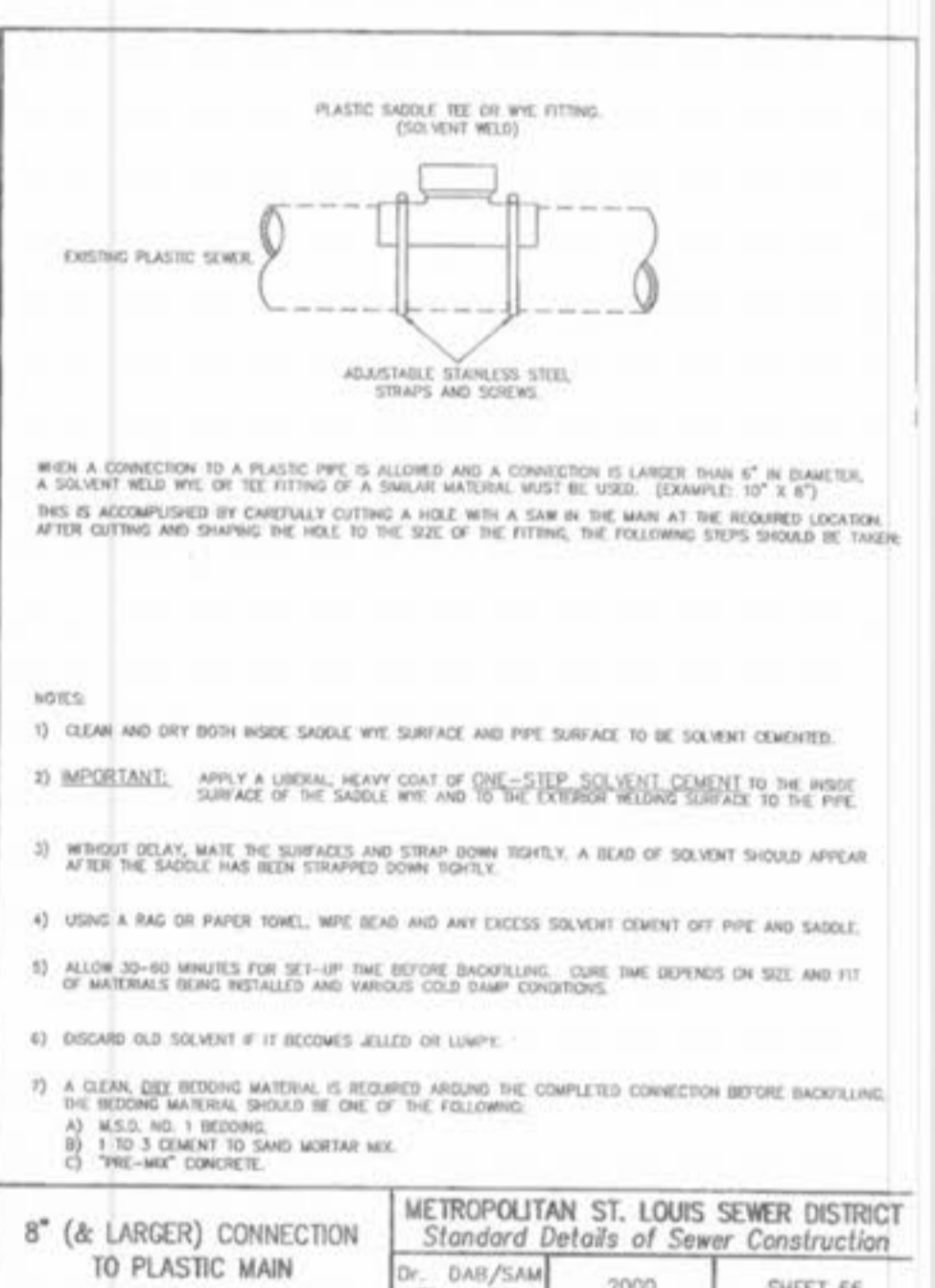
**HOUSE CONNECTION TO EXISTING TEE OR WYE**  
 METROPOLITAN ST. LOUIS SEWER DISTRICT  
 Standard Details of Sewer Construction  
 Dr. DAB/SAM Ch. J.C.K. 2000 SHEET 63



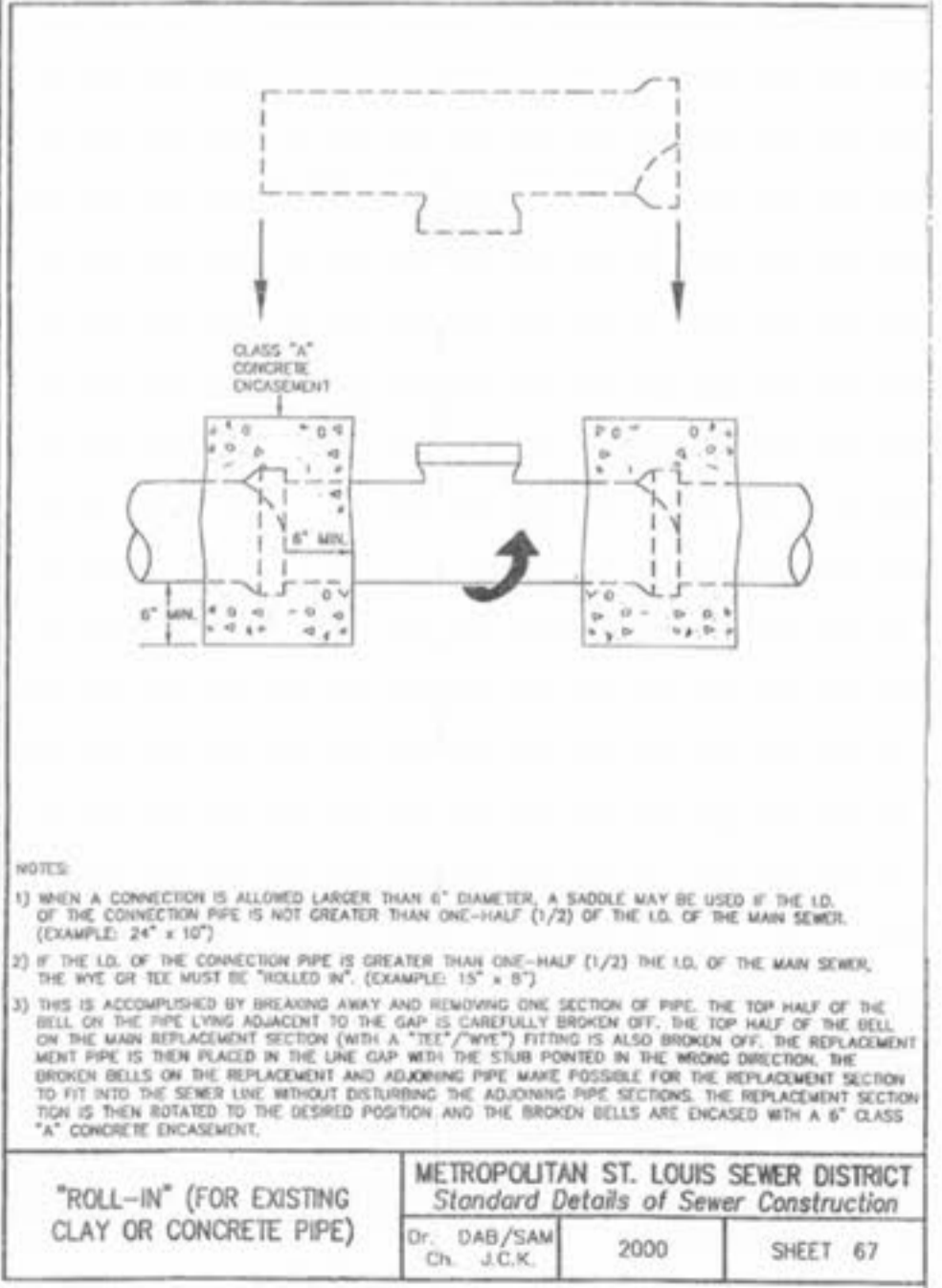
**MACHINE TAP**  
 METROPOLITAN ST. LOUIS SEWER DISTRICT  
 Standard Details of Sewer Construction  
 Dr. WSH/SAM Ch. J.C.K. 2000 SHEET 64



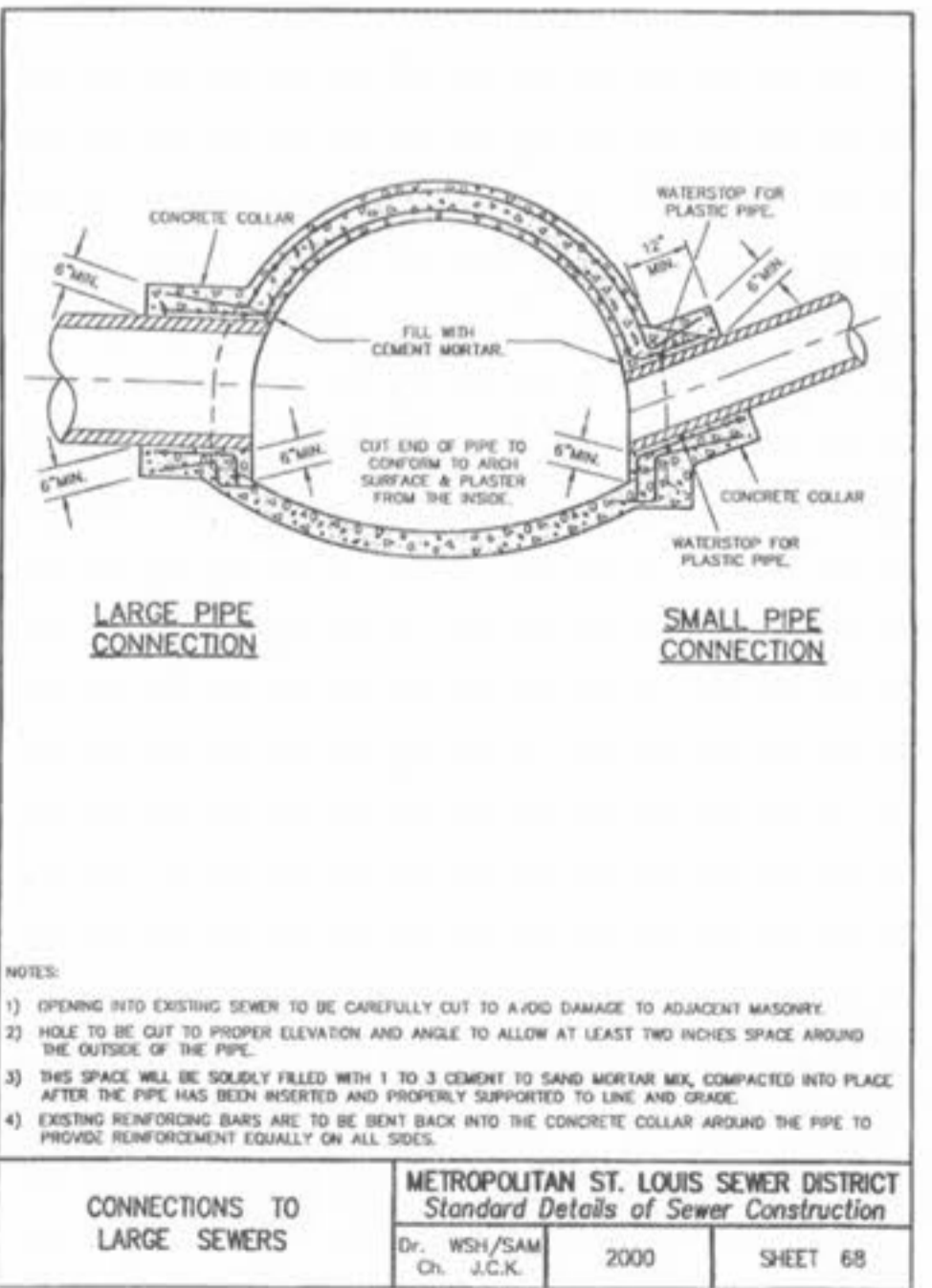
**HOUSE CONNECTIONS ALLOWED BY TEE SADDLE**  
 METROPOLITAN ST. LOUIS SEWER DISTRICT  
 Standard Details of Sewer Construction  
 Dr. DAB/SAM Ch. J.C.K. 2000 SHEET 65



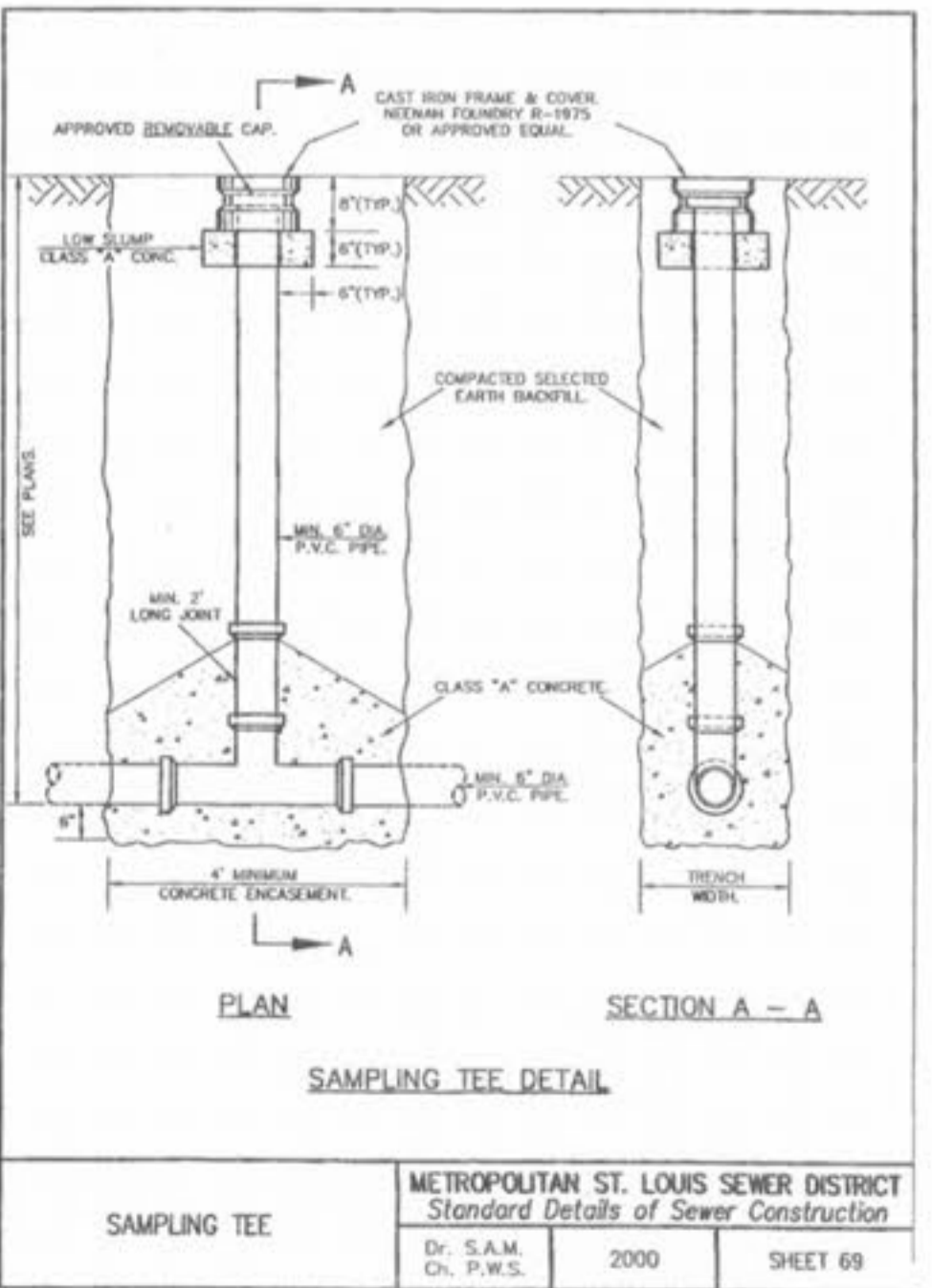
**8\"/>
 METROPOLITAN ST. LOUIS SEWER DISTRICT  
 Standard Details of Sewer Construction  
 Dr. DAB/SAM Ch. J.C.K. 2000 SHEET 66**



**ROLL-IN (FOR EXISTING CLAY OR CONCRETE PIPE)**  
 METROPOLITAN ST. LOUIS SEWER DISTRICT  
 Standard Details of Sewer Construction  
 Dr. DAB/SAM Ch. J.C.K. 2000 SHEET 67



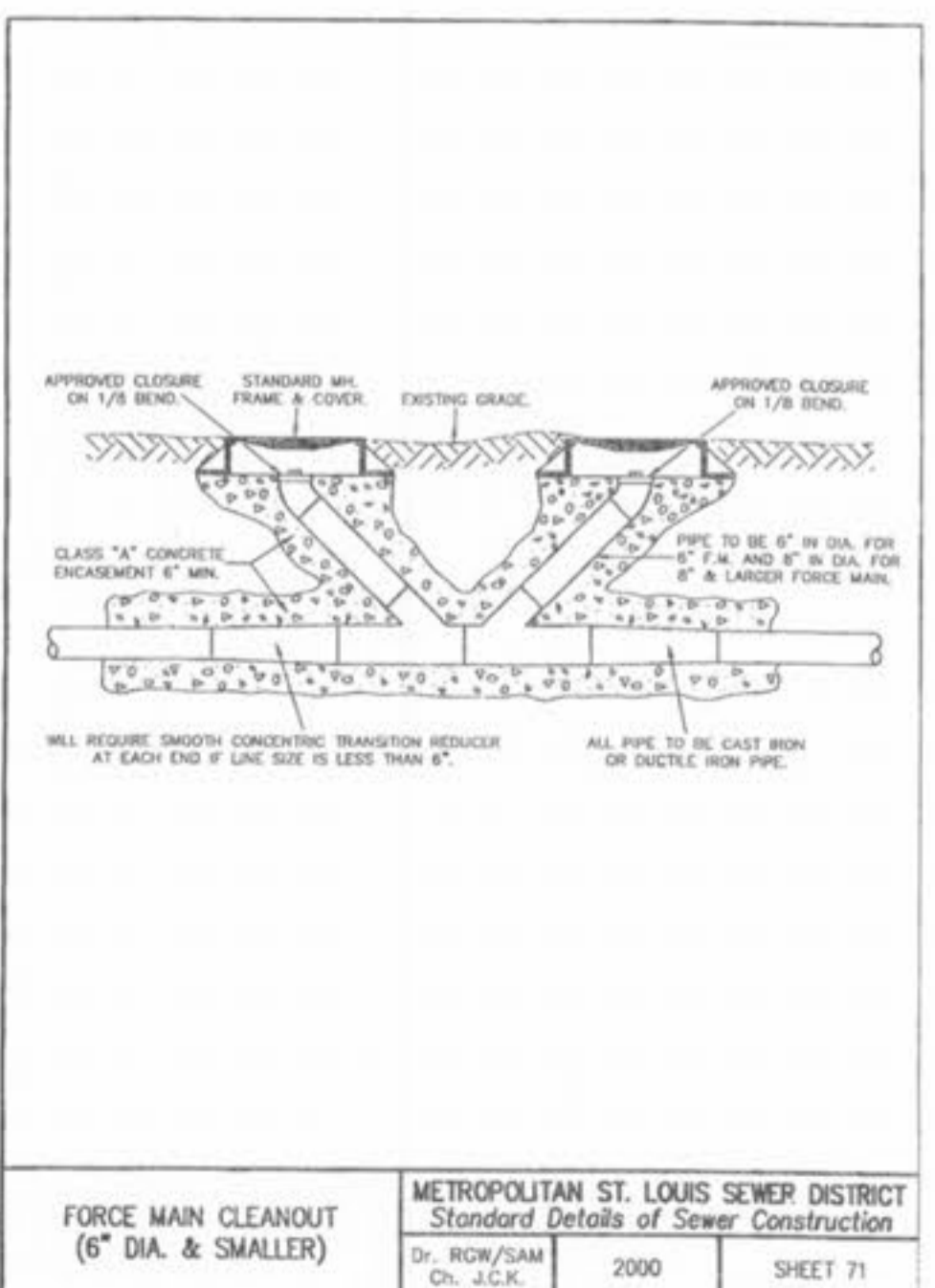
**CONNECTIONS TO LARGE SEWERS**  
 METROPOLITAN ST. LOUIS SEWER DISTRICT  
 Standard Details of Sewer Construction  
 Dr. WSH/SAM Ch. J.C.K. 2000 SHEET 68



**SAMPLING TEE**  
 METROPOLITAN ST. LOUIS SEWER DISTRICT  
 Standard Details of Sewer Construction  
 Dr. S.A.M. Ch. P.W.S. 2000 SHEET 69



**SIGNS**  
 METROPOLITAN ST. LOUIS SEWER DISTRICT  
 Standard Details of Sewer Construction  
 Dr. W.S.H. Ch. J.C.K. 2000 SHEET 70



**FORCE MAIN CLEANOUT (6\"/>
 METROPOLITAN ST. LOUIS SEWER DISTRICT  
 Standard Details of Sewer Construction  
 Dr. RGH/SAM Ch. J.C.K. 2000 SHEET 71**