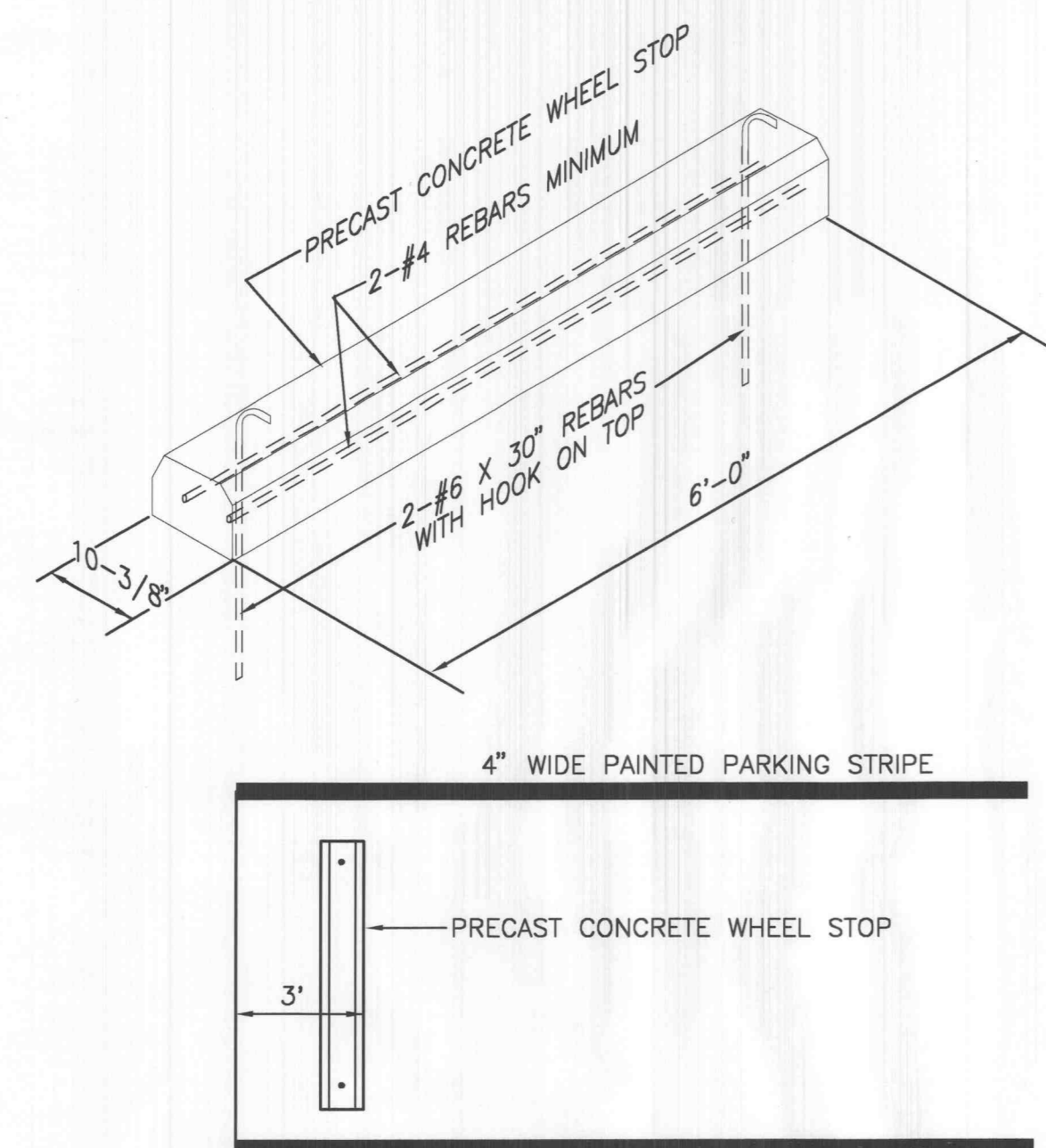


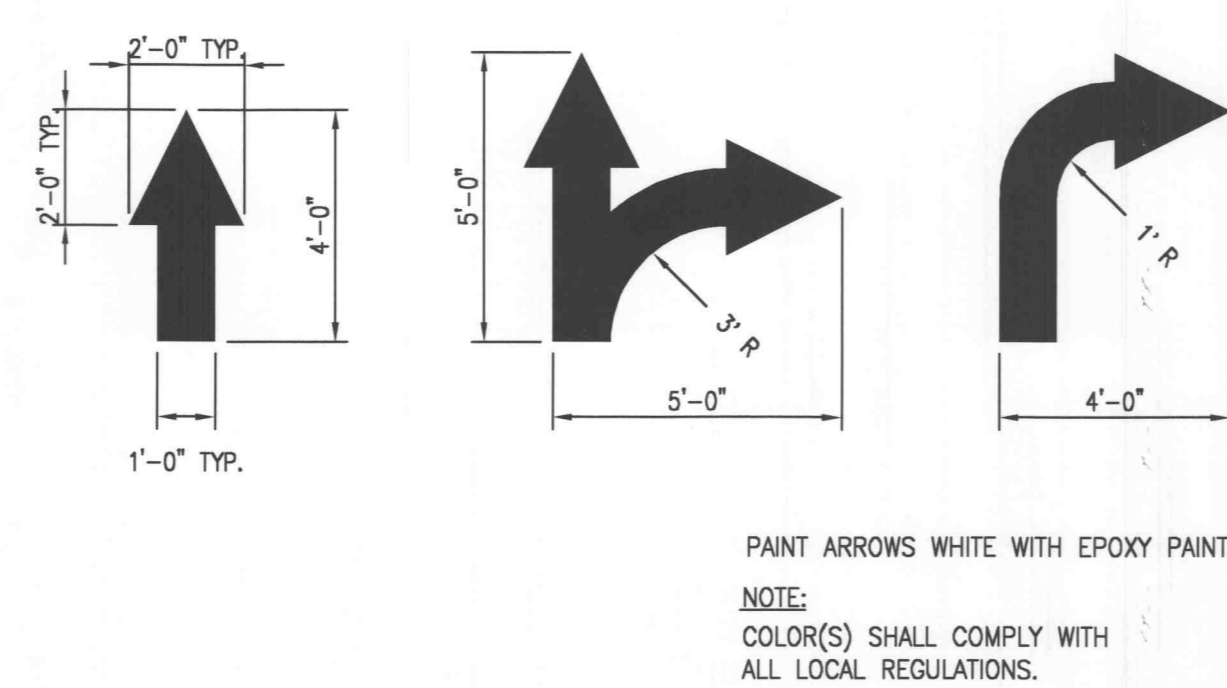


ISSUE:

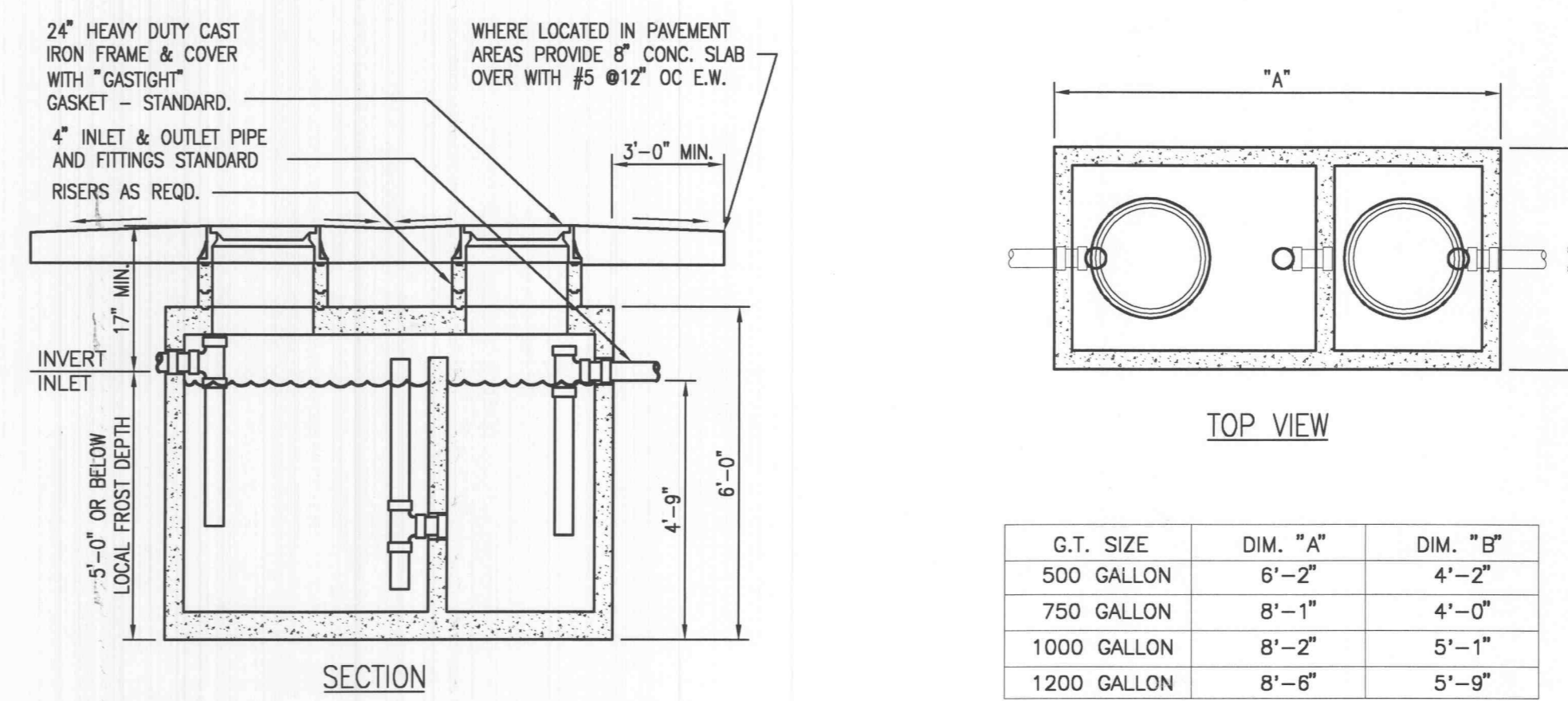
#	Date:	Description:
1	2/13/04	City of O'Fallon Comments
2	2/13/04	Duckett Creek Sanitary District Comments
3	2/13/04	Cottleville Fire Protection District Comments
4	2/13/04	MoDot Comments
5	2/13/04	Corps of Engineers Comments



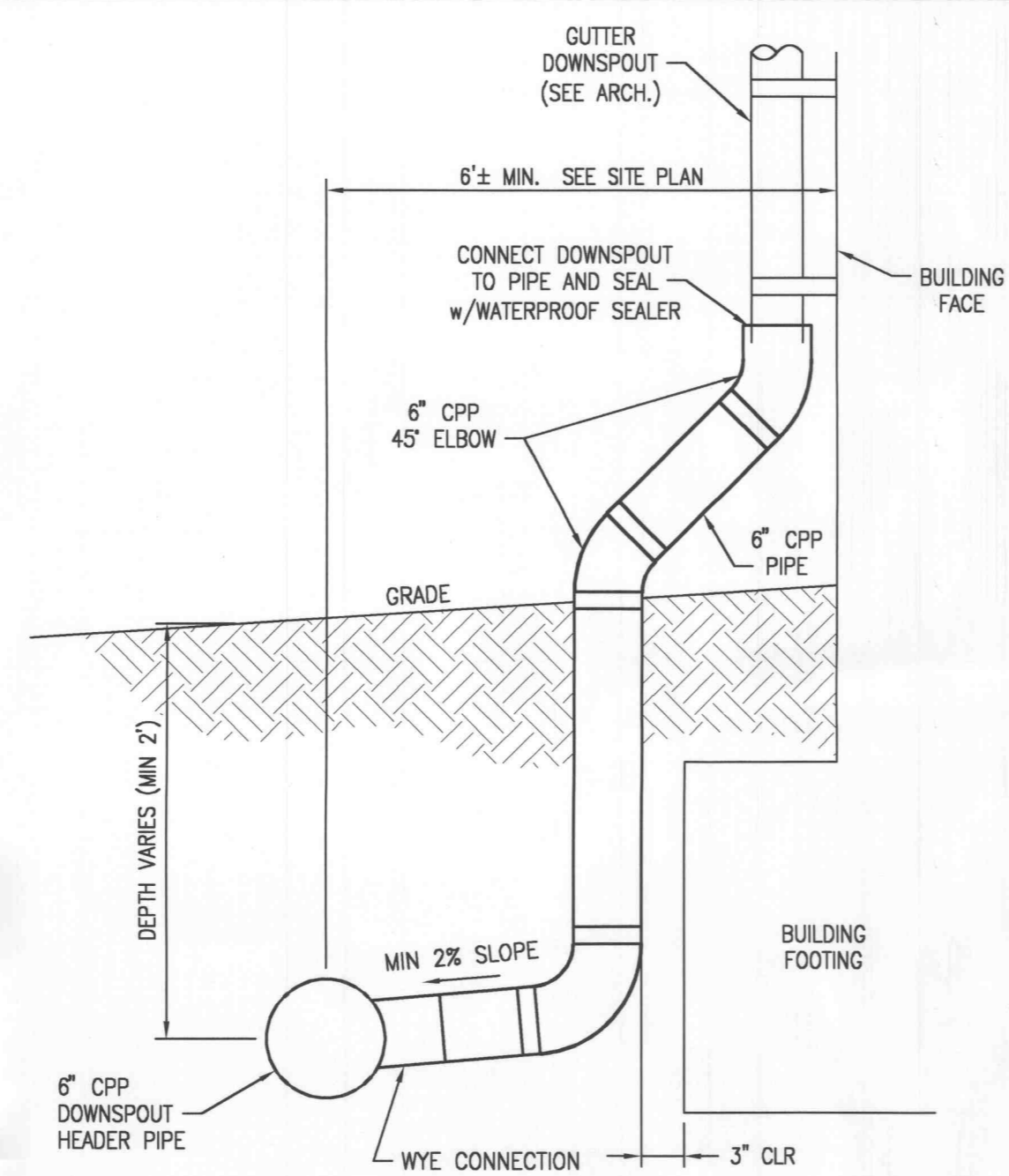
1 Wheel Stop Detail
Scale: Not To Scale



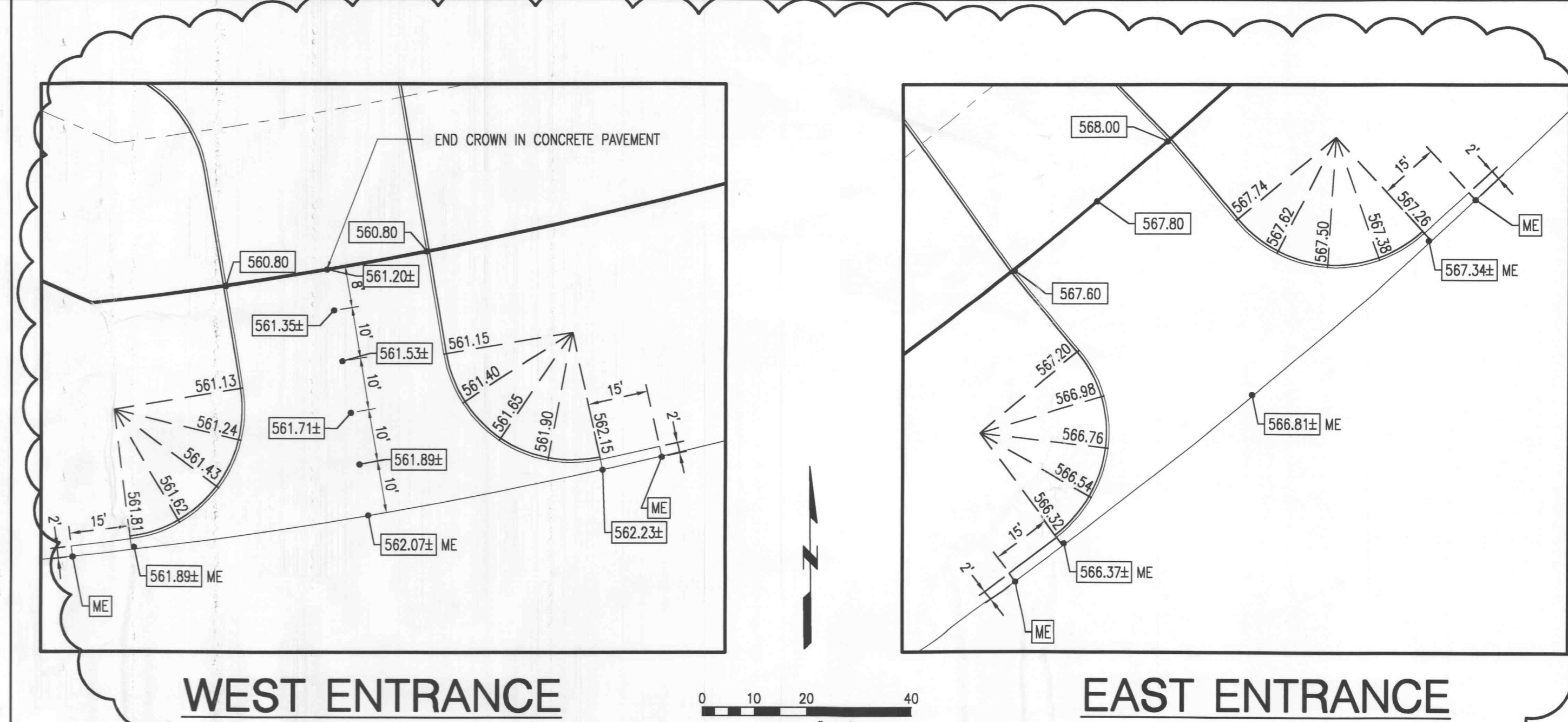
2 Painted Traffic Arrows Detail
Scale: Not To Scale



3 Grease Interceptor Detail
Scale: Not To Scale



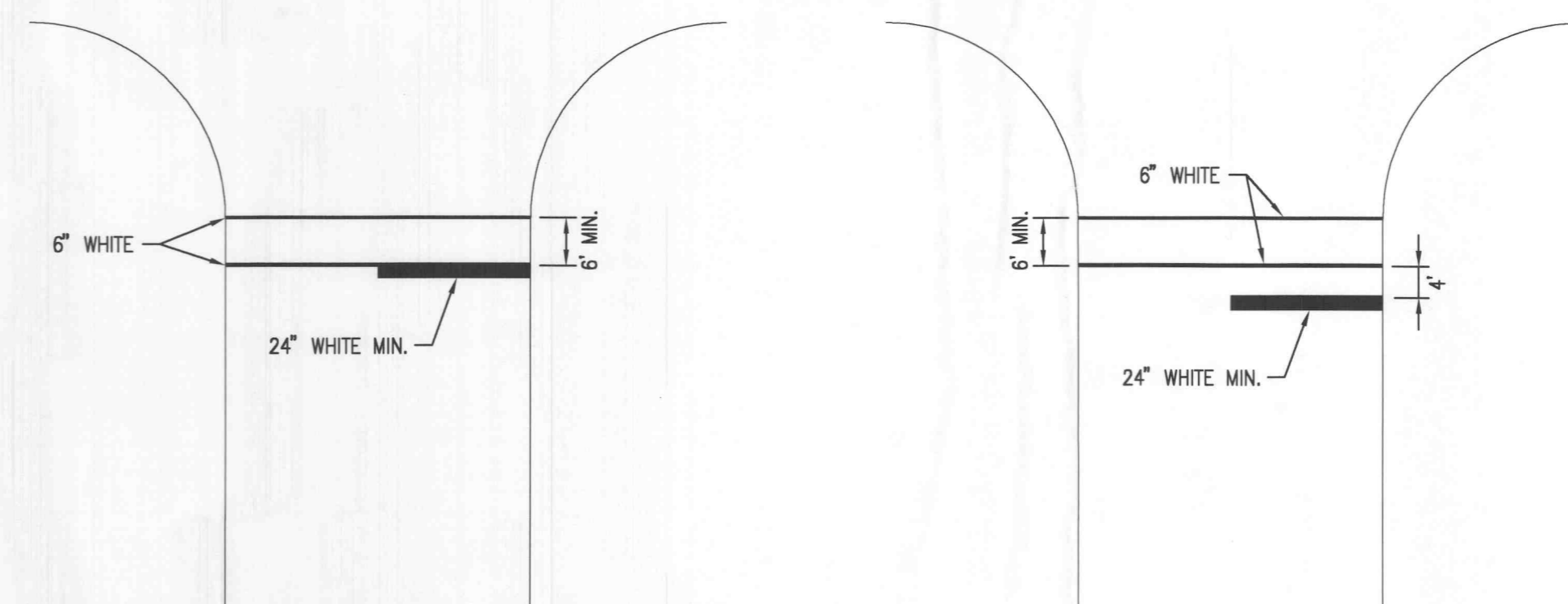
5 Downspout Connection Detail
Scale: Not To Scale



6 Entrance Warping Details
Scale: Not To Scale

4
Scale: Not To Scale

7
Scale: Not To Scale



8 Pedestrian Crosswalk Detail
Scale: Not To Scale

**CALL BEFORE YOU
DIG - DRILL - BLAST**
1-800-344-7483
(TOLL FREE)

MISSOURI ONE CALL SYSTEM, INC.
* FIBER OPTIC PRESENT *
MoDOT (314) 340-4100

PROJECT:
PERSIMMON POINT
HOTEL DEVELOPMENT

JAMES T. BURGE
REGISTERED PROFESSIONAL ENGINEER
NUMBER E-13347

#4130 HIGHWAY 40-61
O'FALLON, MO

Date: 12-30-03
Design/Drawn: DB
Approved: JTB
Book No.:

SHEET TITLE:
DETAILS

SHEET NUMBER:
C10

SHEET 14 OF 36

Project No.: 299163.12
Planning & Zoning File: #3103.03