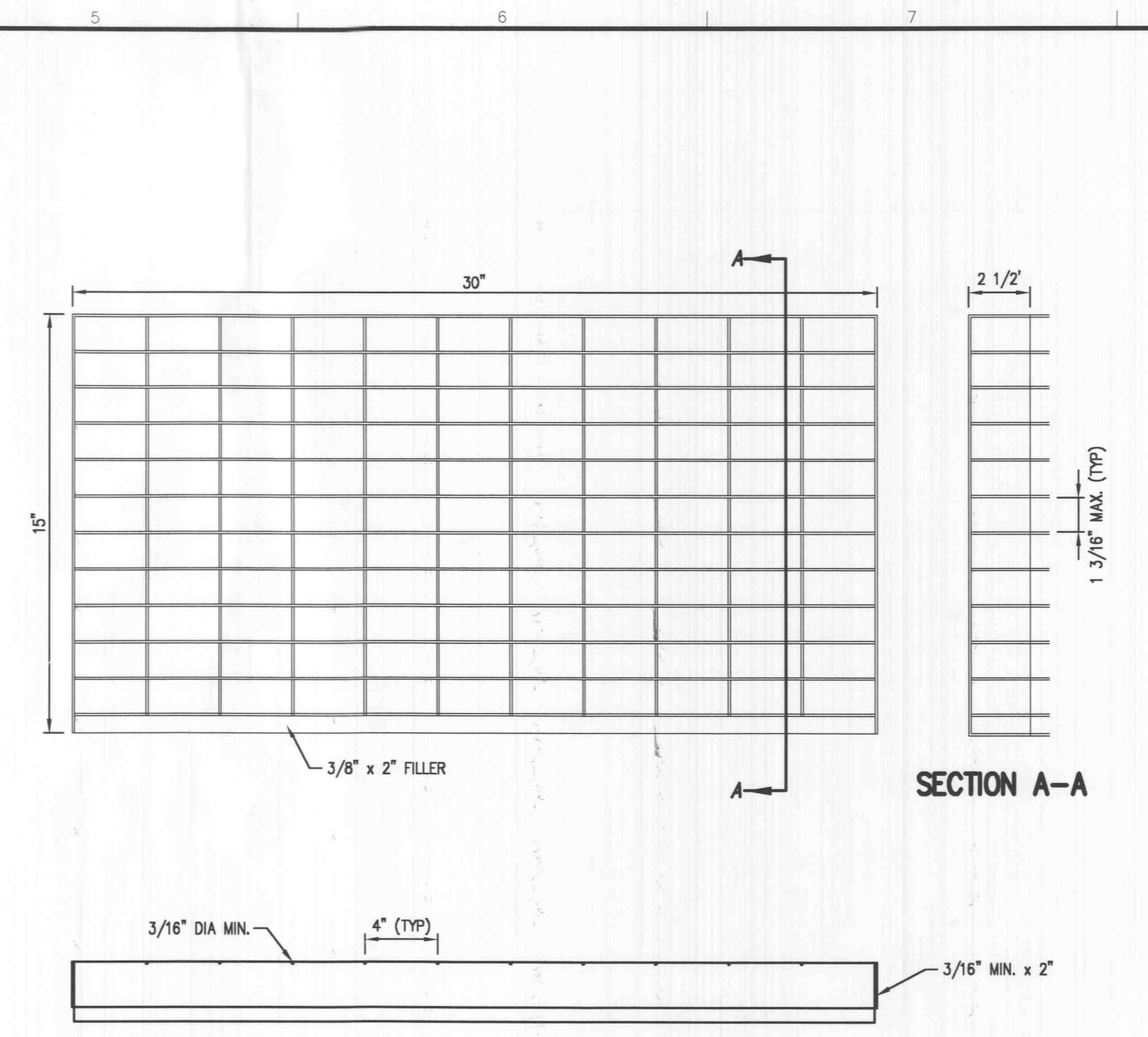
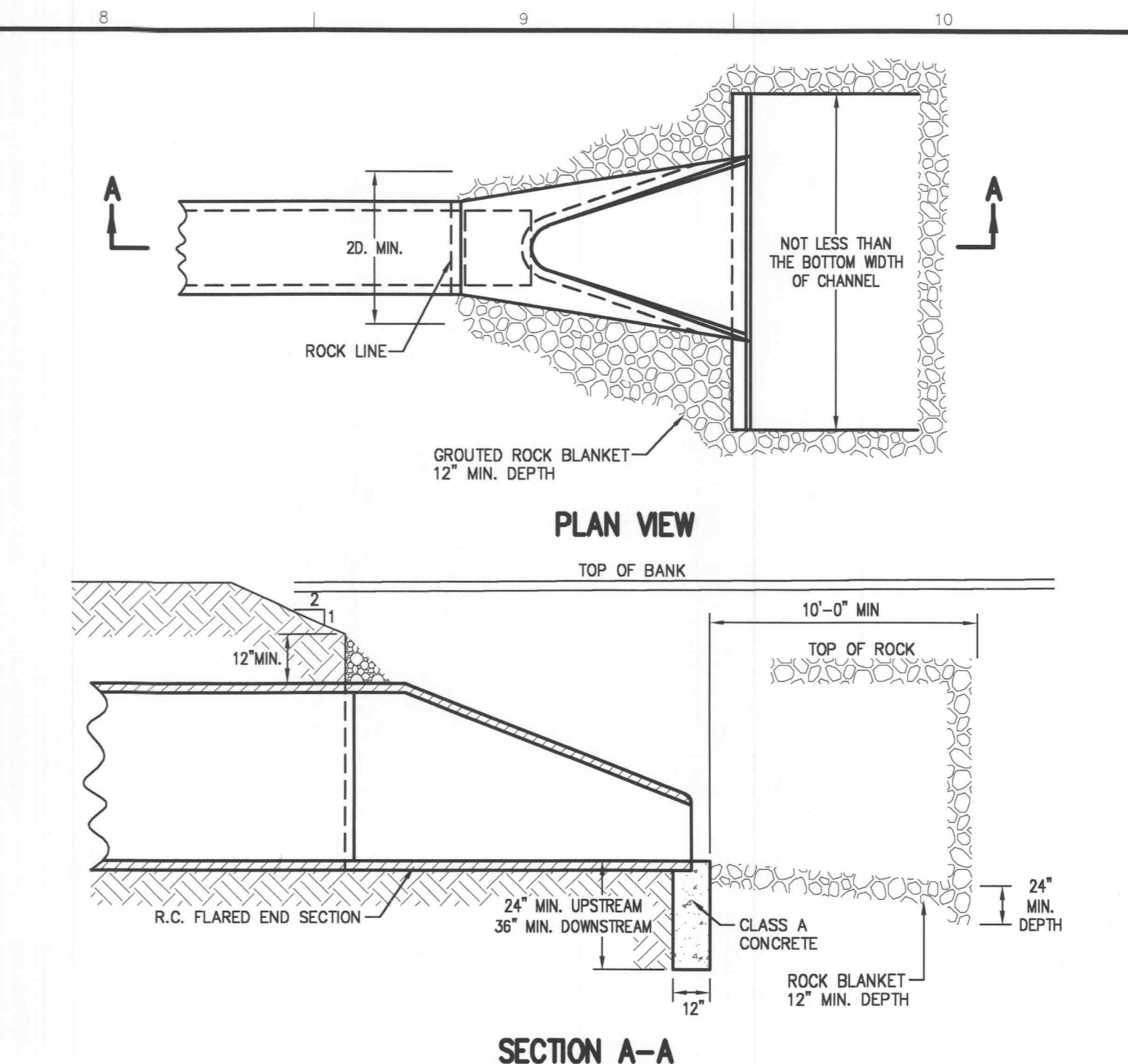


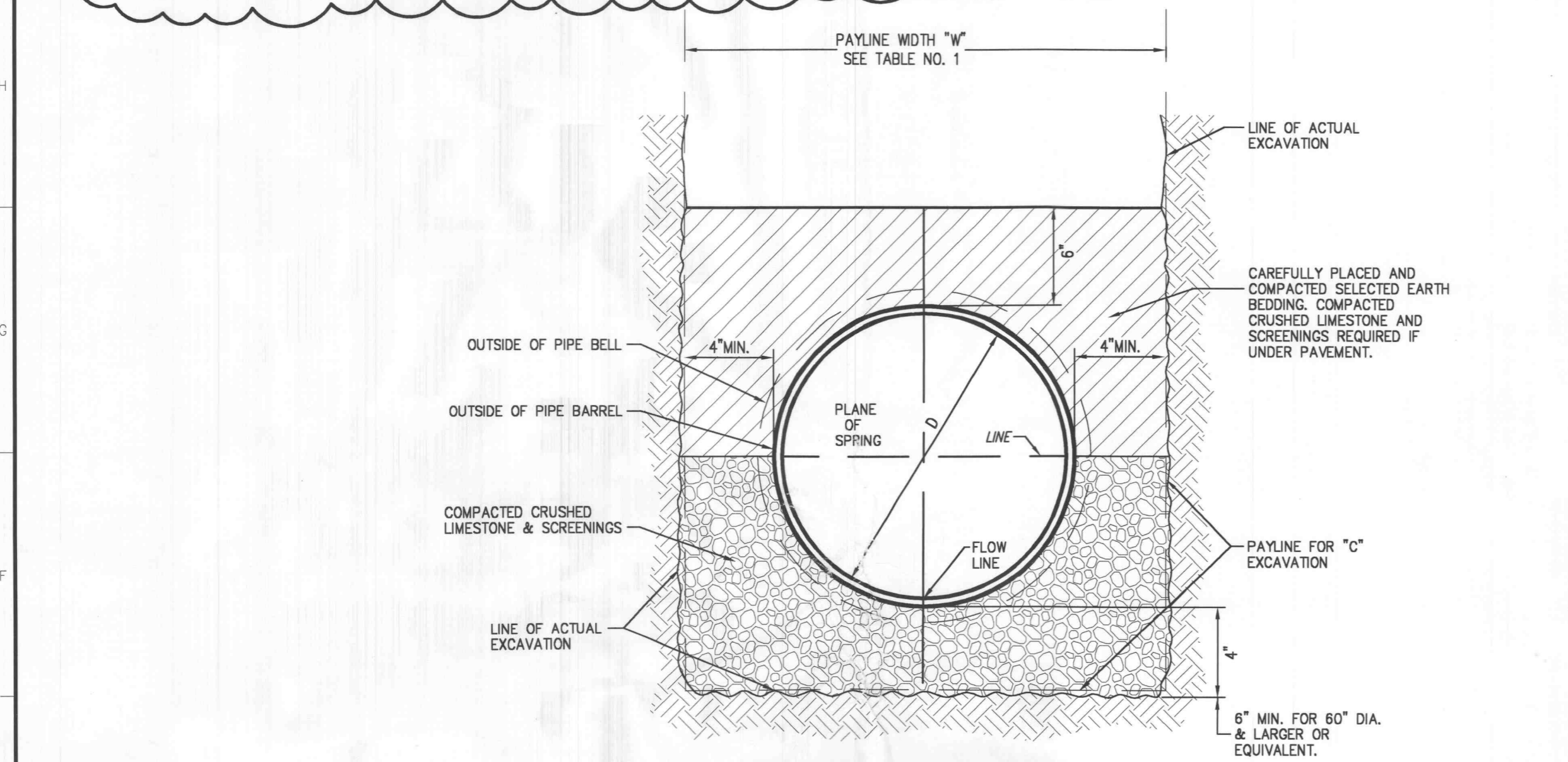
1 Curved Vane Grate and Frame
Scale: Not To Scale



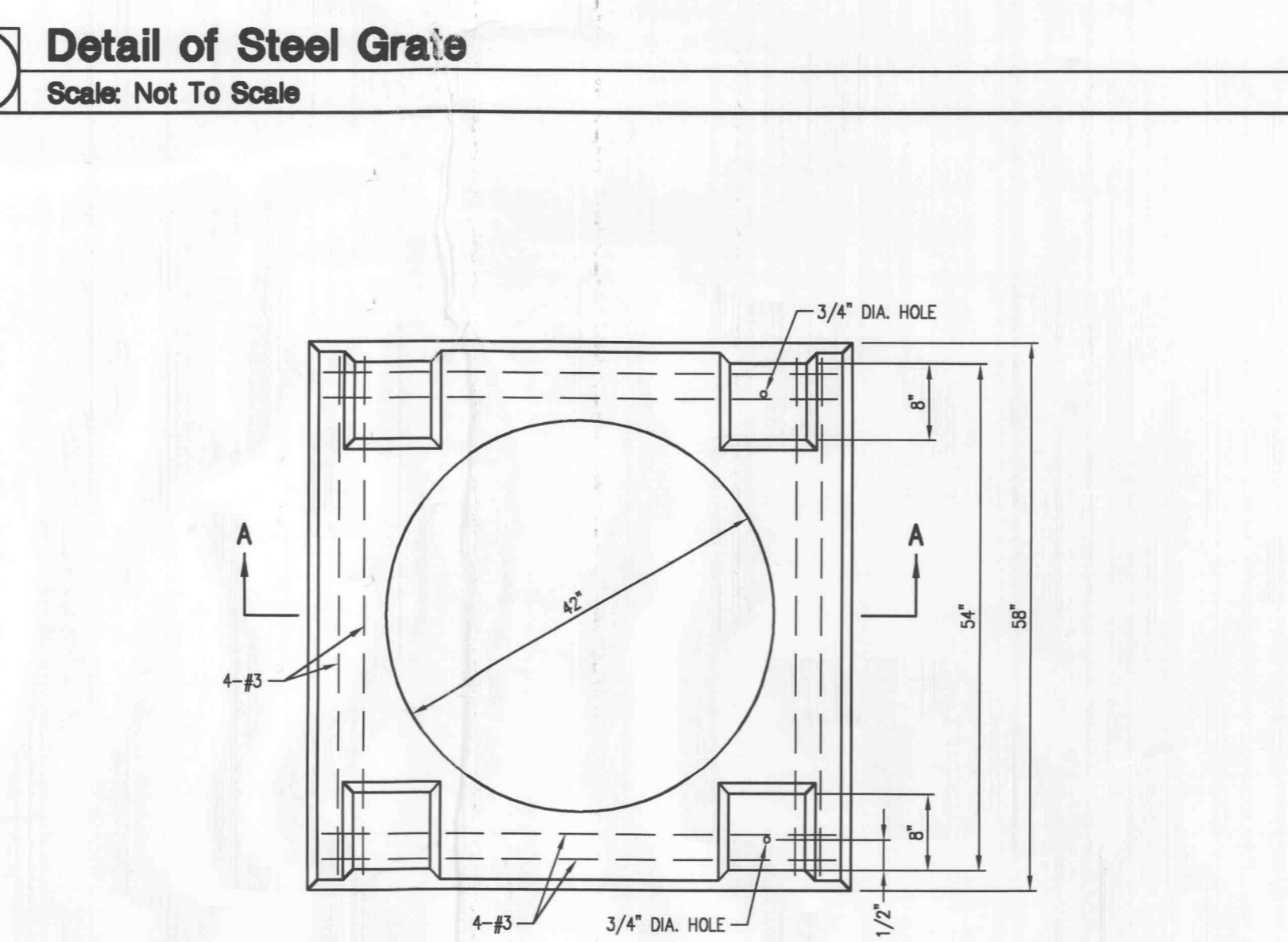
2 Detail of Steel Grate
Scale: Not To Scale



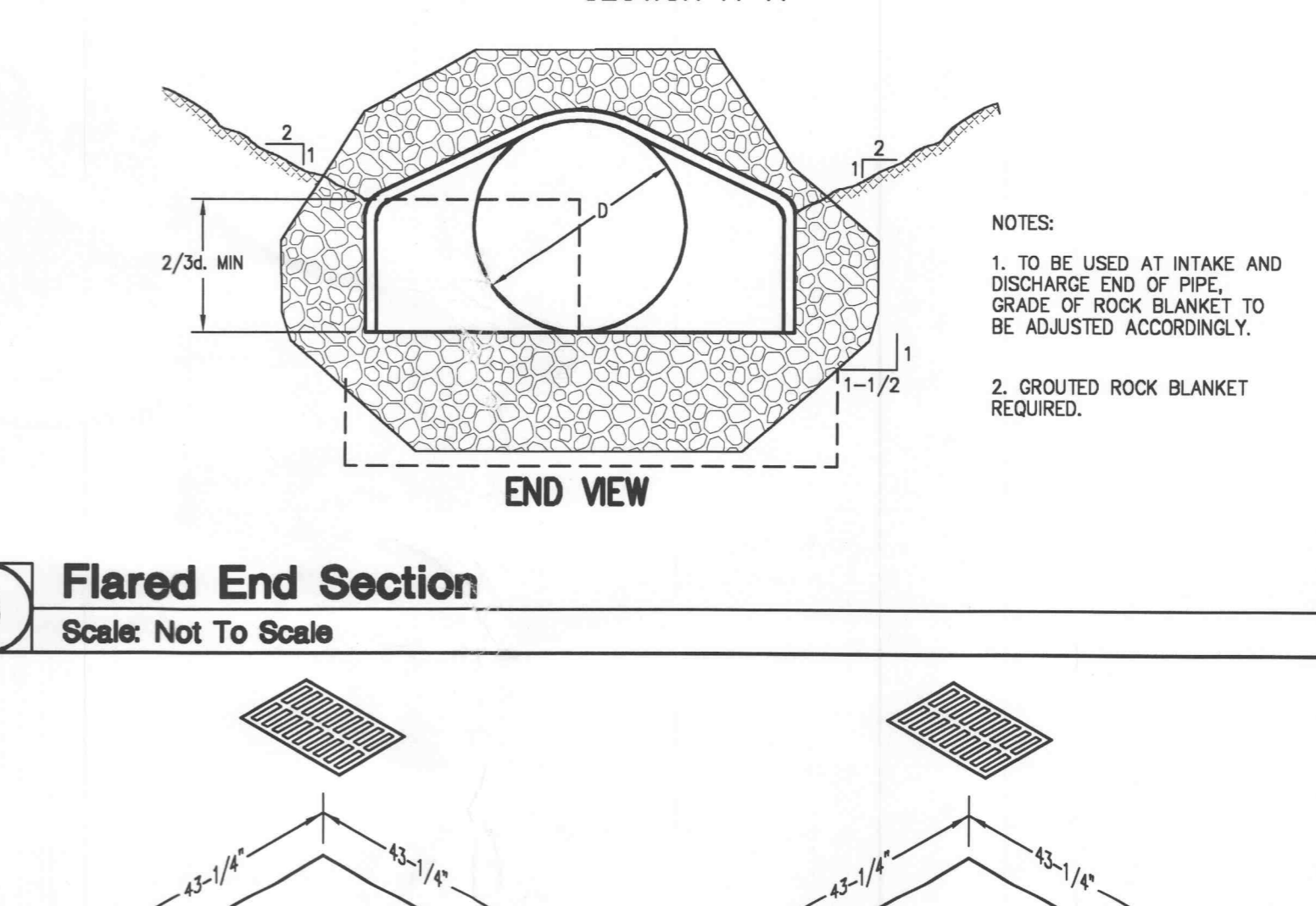
3 Flared End Section
Scale: Not To Scale



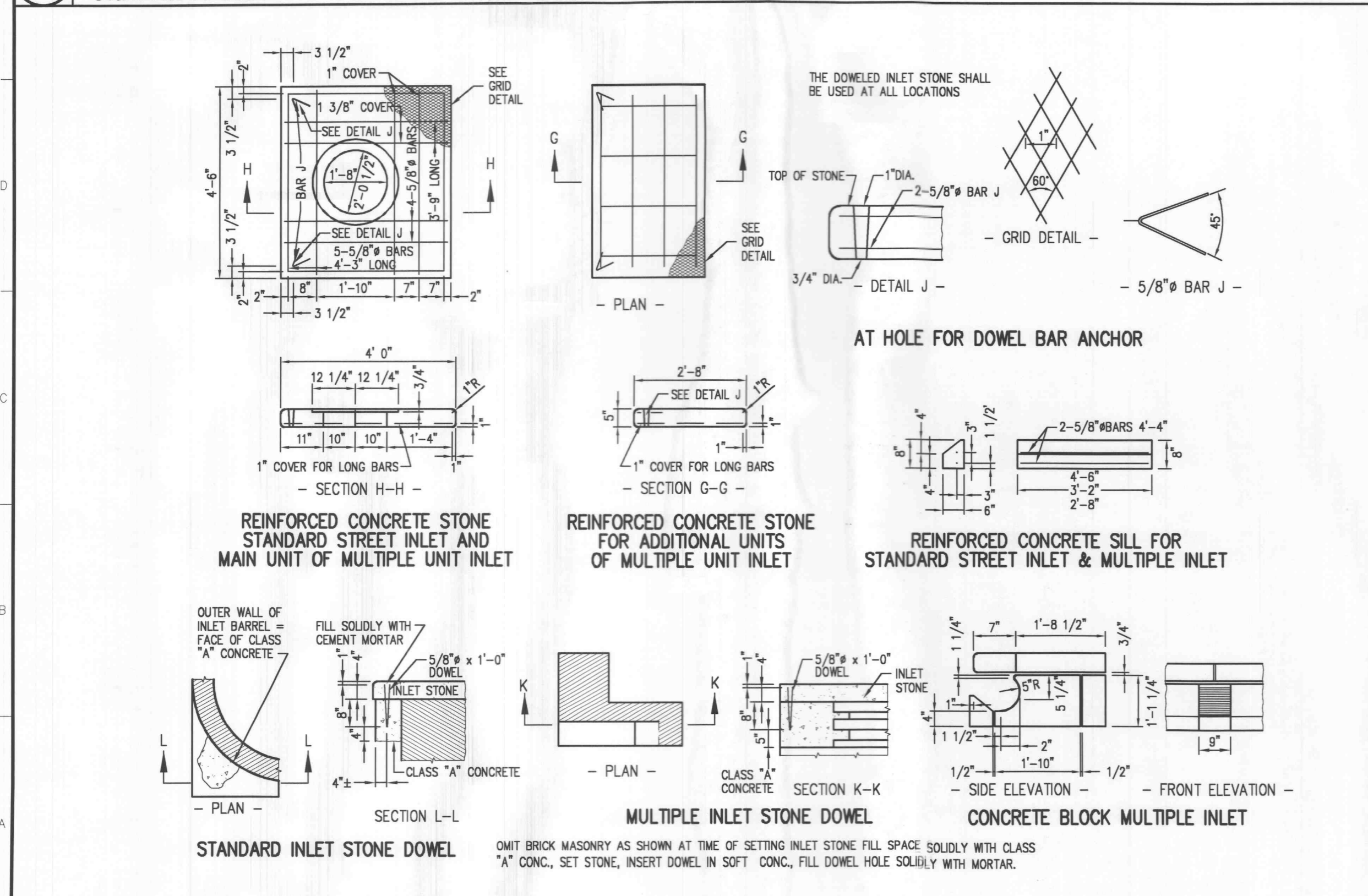
4 Pipe Bedding Class "C"
Scale: Not To Scale



6 Pre-cast Concrete Unit For 4 Way Area Inlet
Scale: Not To Scale



7 2 Grate Inlets Precast Concrete
Scale: Not To Scale



5 Standard - Inlet Stones, Blocks & Design Details
Scale: Not To Scale

ISSUE:

#	Date	Description
1	2/13/04	City of O'Fallon Comments
2	2/13/04	Duckett Creek Sanitary District Comments
3	2/13/04	Cottleville Fire Protection District Comments
4	2/13/04	MoDOT Comments
5	2/13/04	Corps of Engineers Comments

CALL BEFORE YOU DIG - DRILL - BLAST
1-800-344-7483
(TOLL FREE)

MISSOURI ONE CALL SYSTEM, INC.
* FIBER OPTIC PRESENT *
MoDOT (314) 340-4100

PROJECT:
PERSIMMON POINTE
HOTEL DEVELOPMENT

REGISTERED PROFESSIONAL ENGINEER
STATE OF MISSOURI
JAMES R. BURKE
NUMBER
E-13347

#4130 HIGHWAY 40-61
O'FALLON, MO

Date: 12-30-03
Design/Drawn: DB
Approved: JTB
Book No.:

SHEET TITLE:
DETAILS

SHEET NUMBER:
C12

SHEET 16 OF 36

Project No.: 299163.12
Planning & Zoning File: #3103.03

P:\999\299163.12.dwg 40 @ rfc k\hmc\299163-DTLSDWG DATE: 02/13/2004 Time: 14:25
 I:\cwork\p\999\299163.12.dwg 40 @ rfc k\hmc\299163-DTLSDWG DATE: 02/13/2004 Time: 14:25