



**Farnsworth
GROUP**

20 ALLEN AVENUE, SUITE 200
ST LOUIS, MISSOURI 63119
(314) 962-7900 / (314) 962-1253 Fax

www.f-w.com

ISSUE:

#	Date:	Description:
1	2/13/04	City of O'Fallon Comments
2	2/13/04	Duckett Creek Sanitary District Comments
3	2/13/04	Cottleville Fire Protection District Comments
4	2/13/04	MoDOT Comments
5	2/13/04	Corps of Engineers Comments



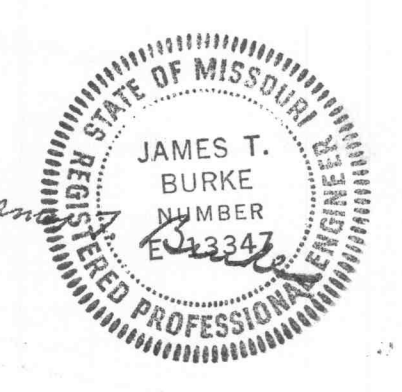
CALL BEFORE YOU
DIG - DRILL - BLAST
1-800-344-7483
(TOLL FREE)

MISSOURI ONE CALL SYSTEM, INC.

* FIBER OPTIC PRESENT *
MoDOT (314) 340-4100

PROJECT:

PERSIMMON POINTE
HOTEL DEVELOPMENT



#4130 HIGHWAY 40-61
O'FALLON, MO

Date: 12-30-03

Design/Drawn: DB

Approved: JTB

Book No.:

SHEET TITLE:

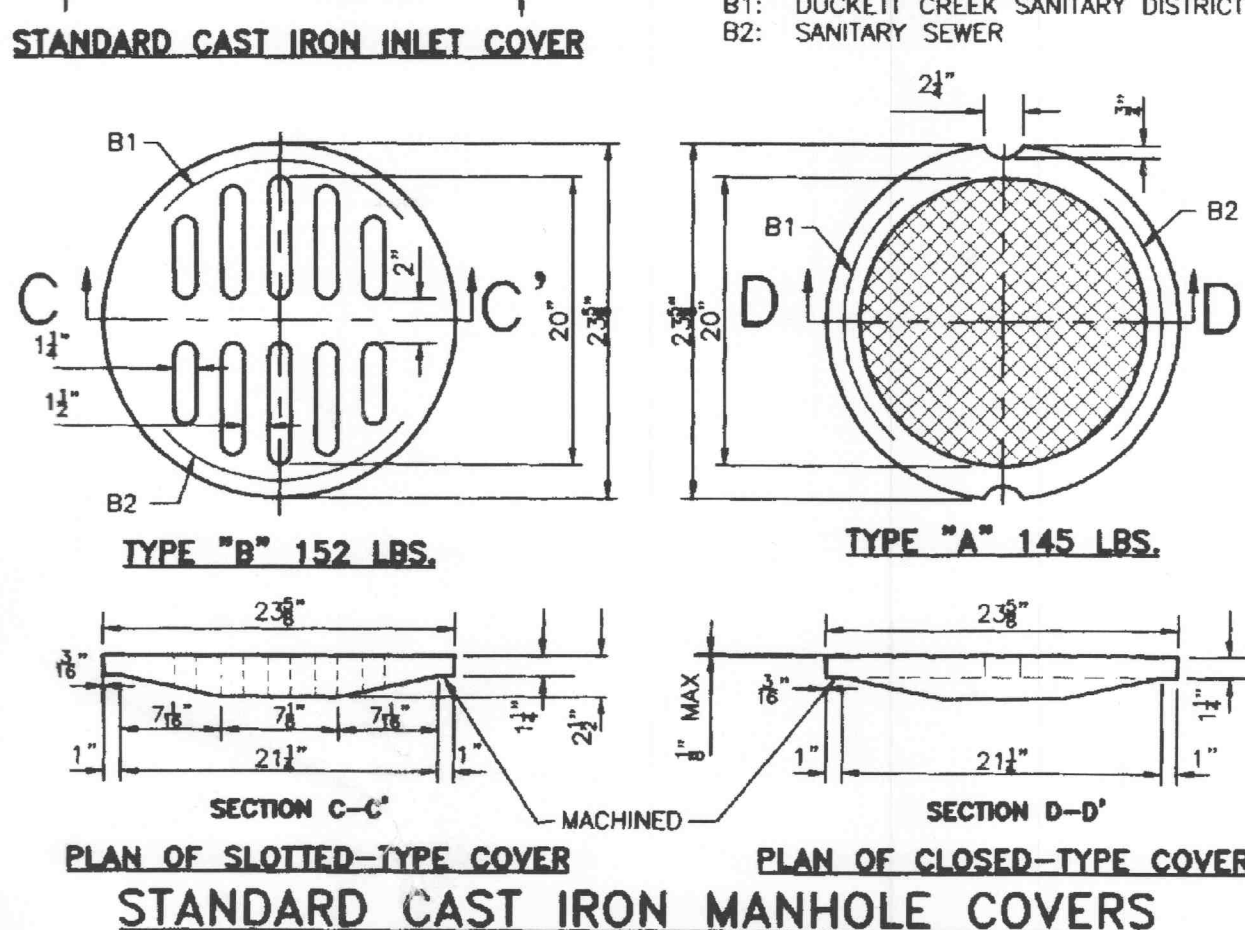
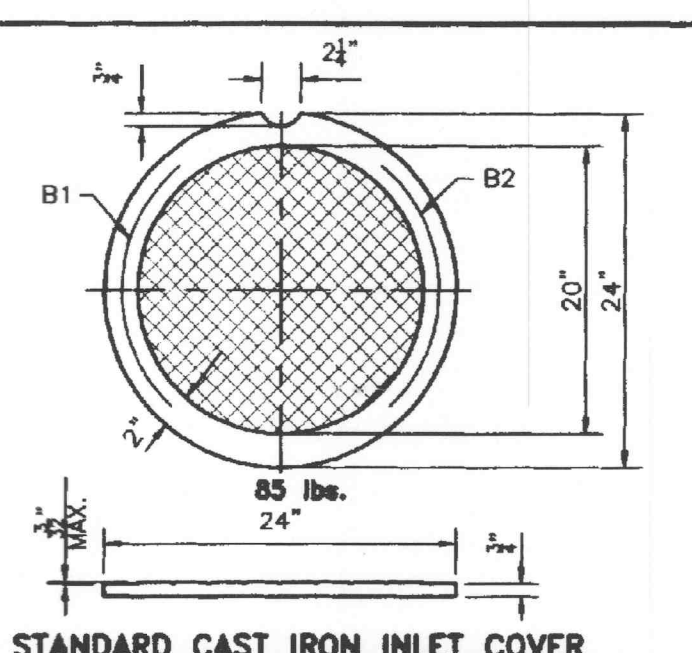
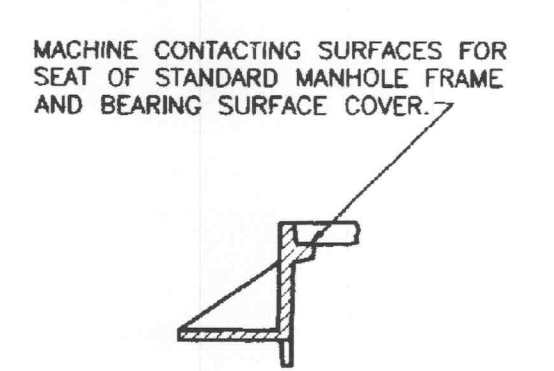
DETAILS

SHEET NUMBER:

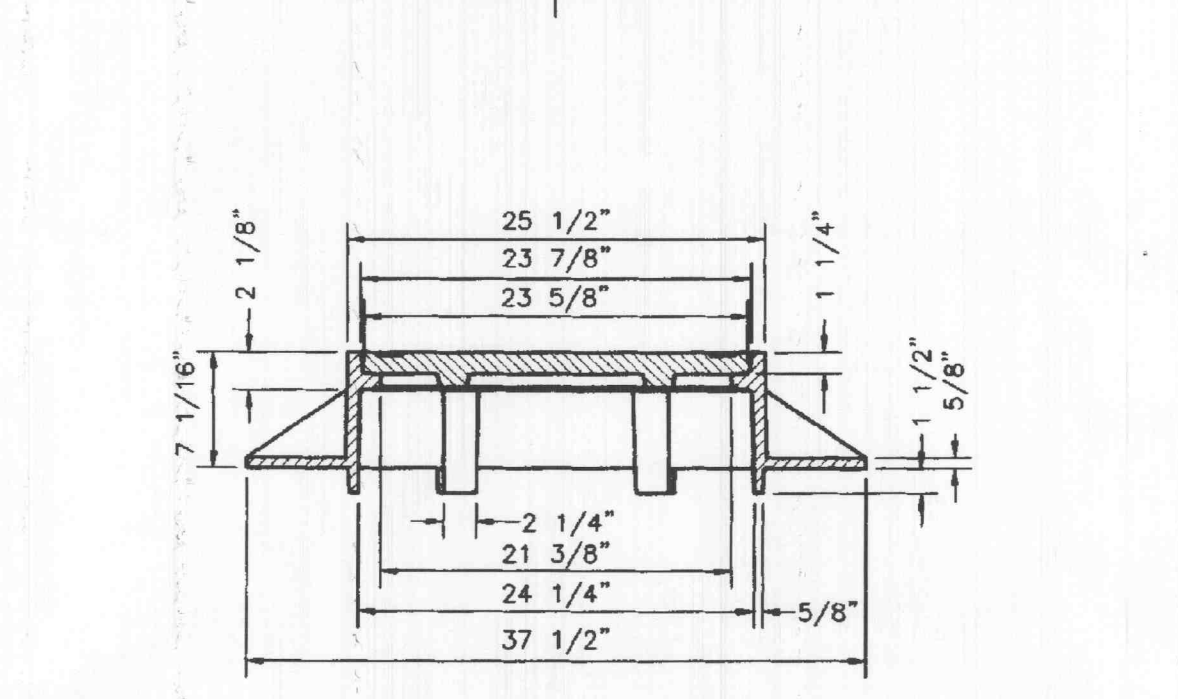
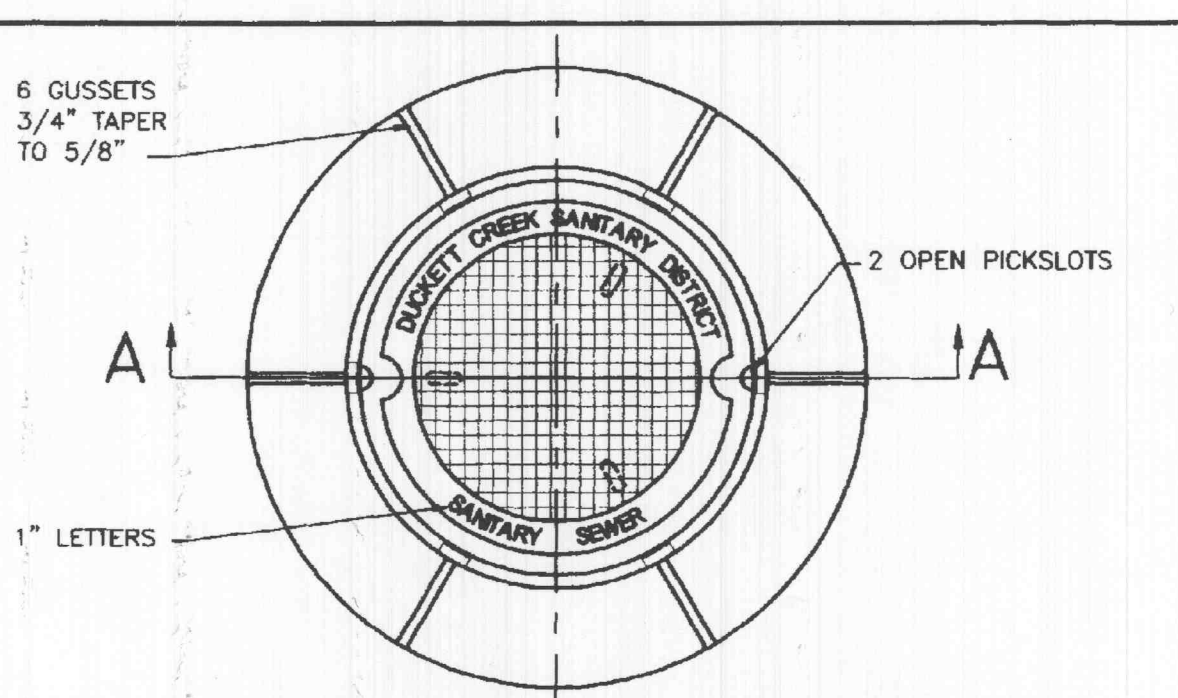
C14

SHEET 18 OF 36

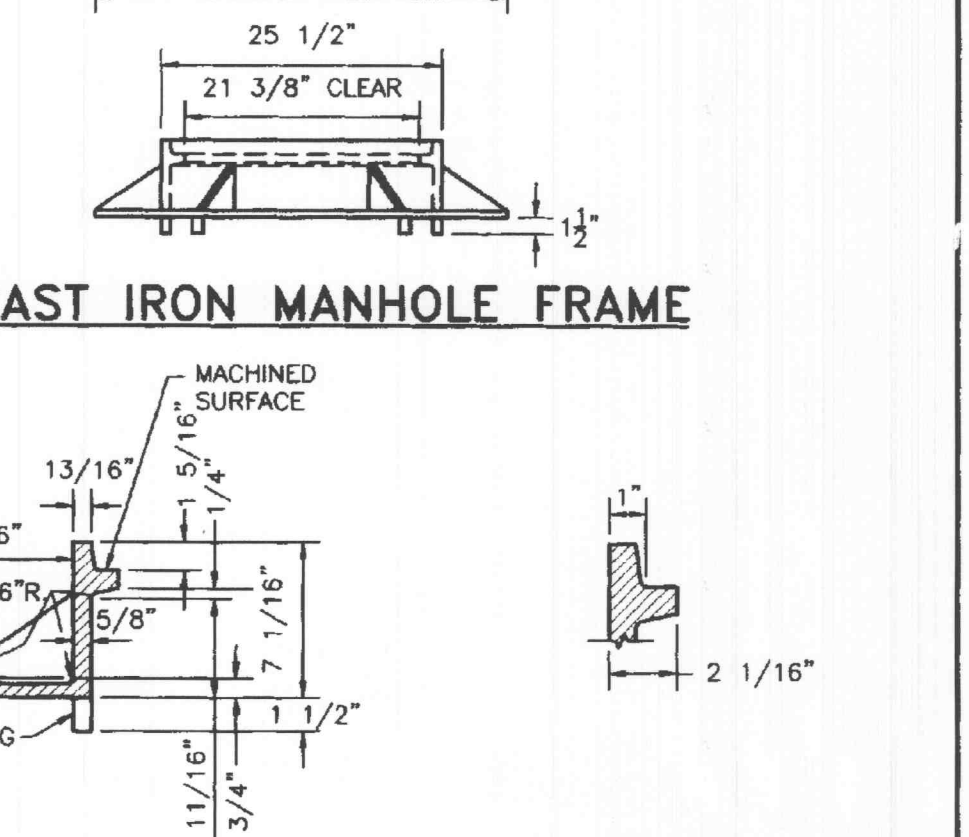
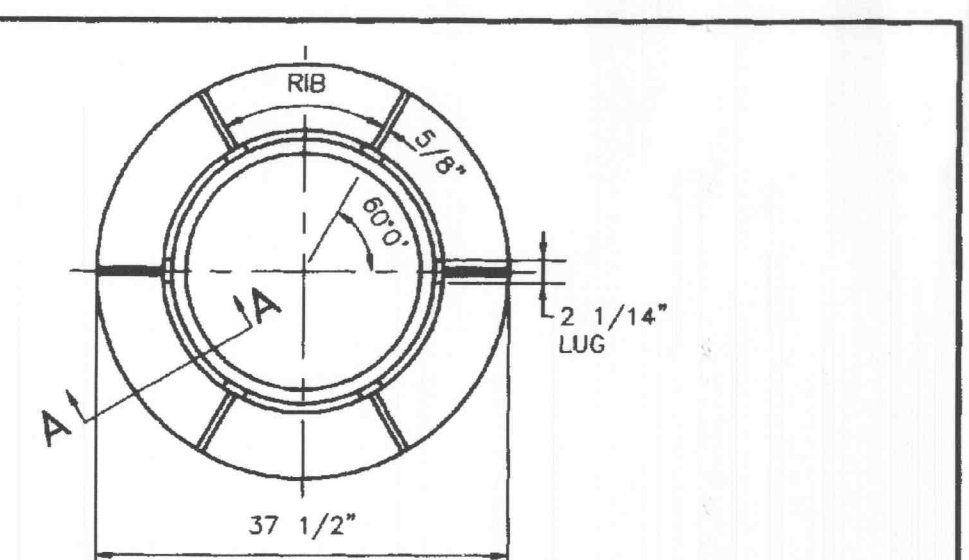
Project No.: 299163.12
Planning & Zoning File: #3103.03



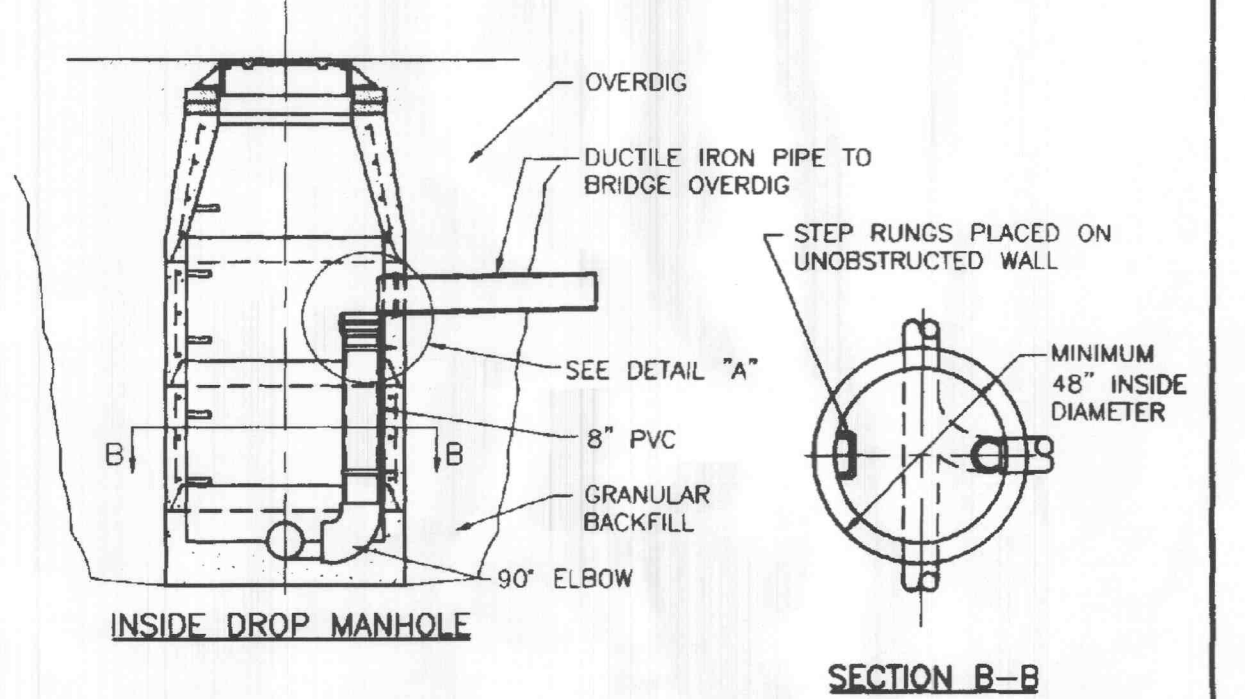
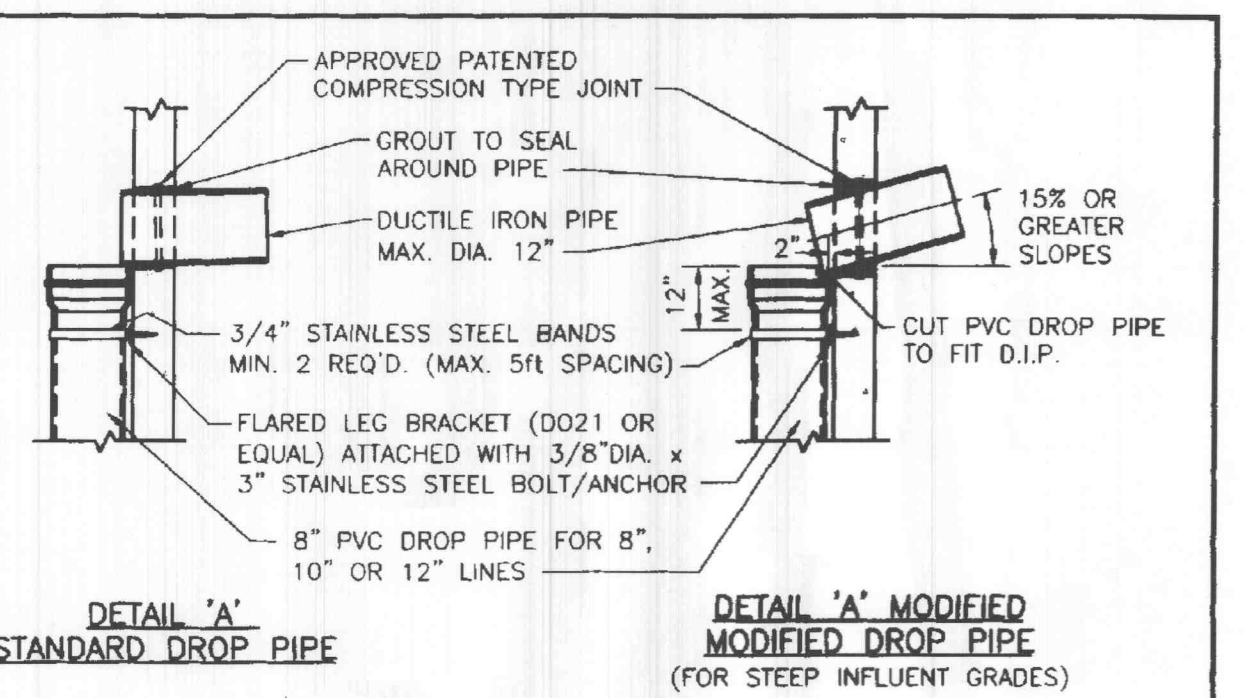
STANDARD CAST IRON MANHOLE COVERS
CAST IRON COVERS
MANHOLES AND INLETS
Dwn By: BSM App By: KLA Detail No. 13
Cht By: MDOB Date: 12-22-00



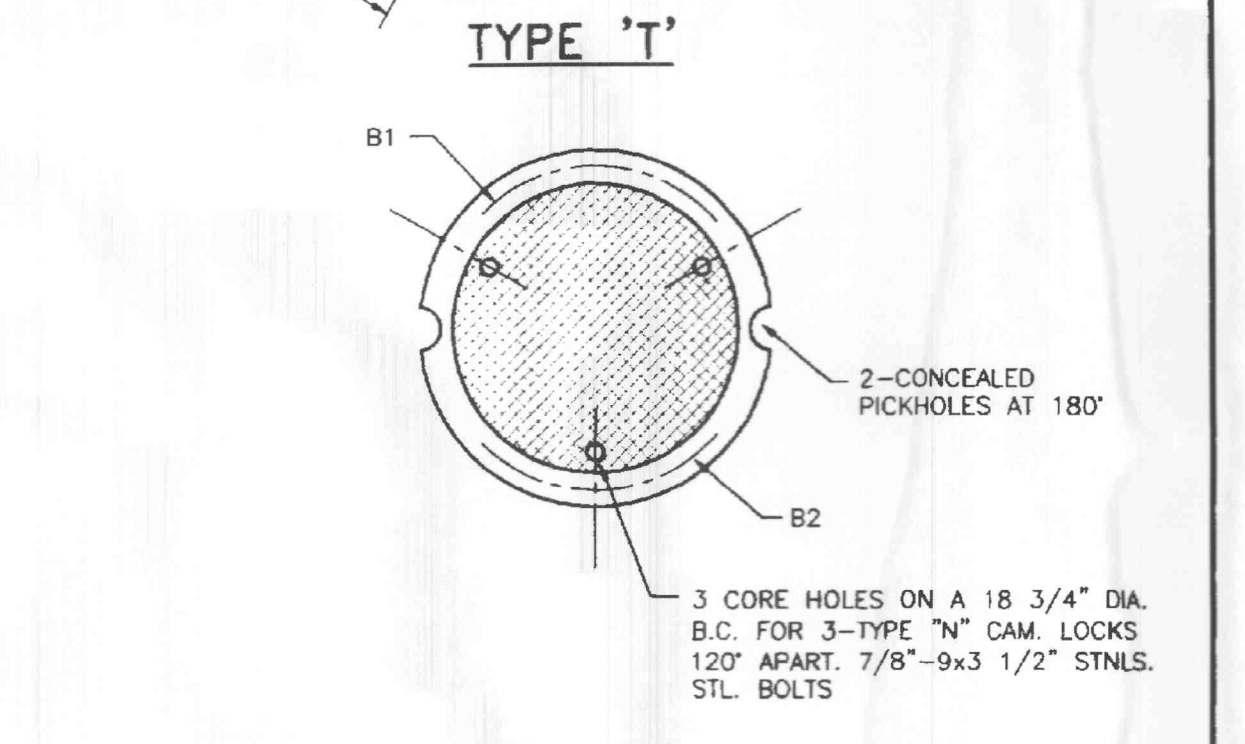
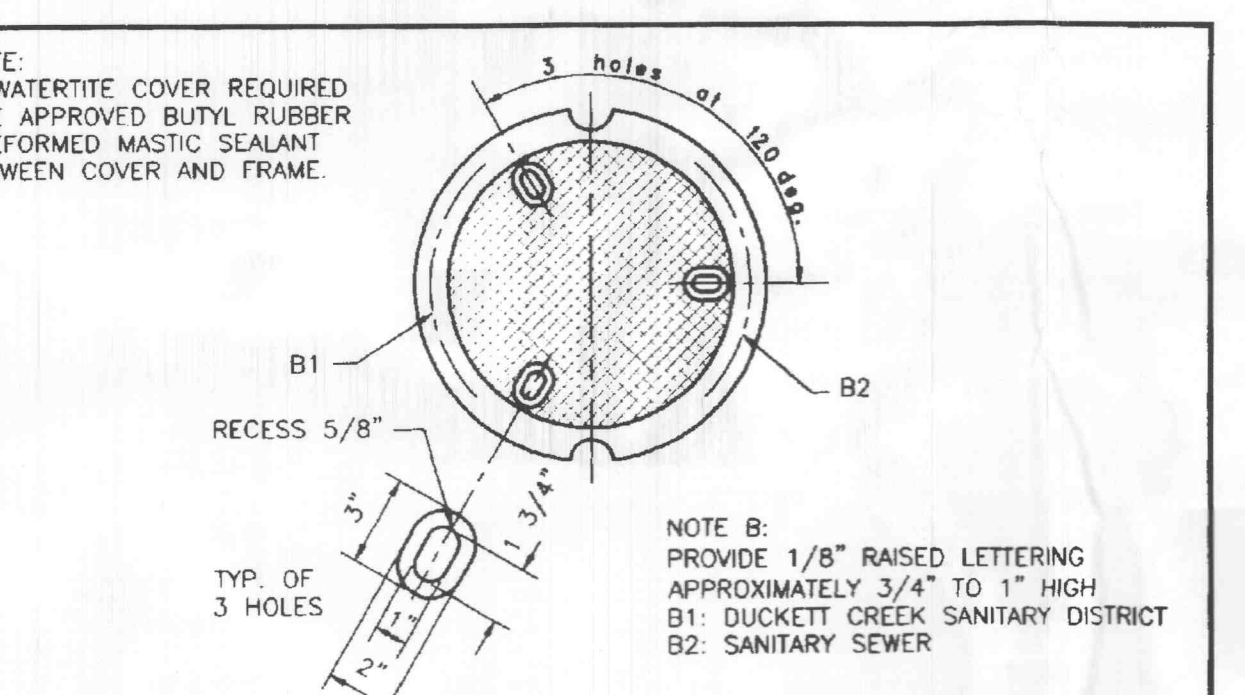
DUCKETT CREEK SANITARY DISTRICT
MANHOLE
FRAME
AND COVER
Dwn By: BSM App By: KLA Detail No. 12
Cht By: MDOB Date: 01-14-00



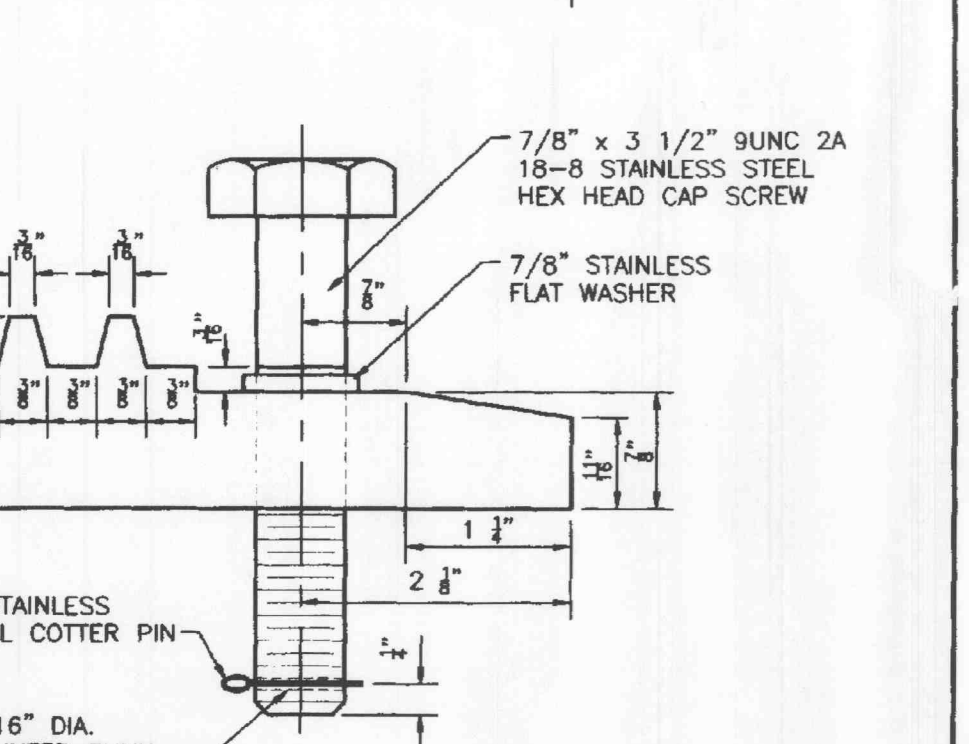
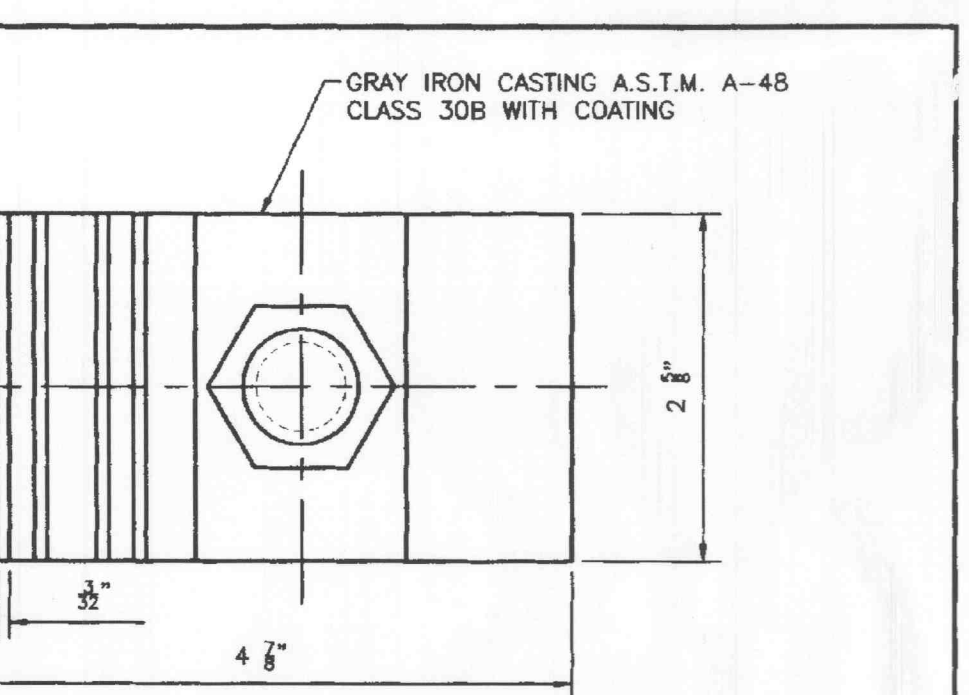
DUCKETT CREEK SANITARY DISTRICT
CAST IRON
MANHOLE
FRAME
Dwn By: BSM App By: KLA Detail No. 11
Cht By: MDOB Date: 01-14-00



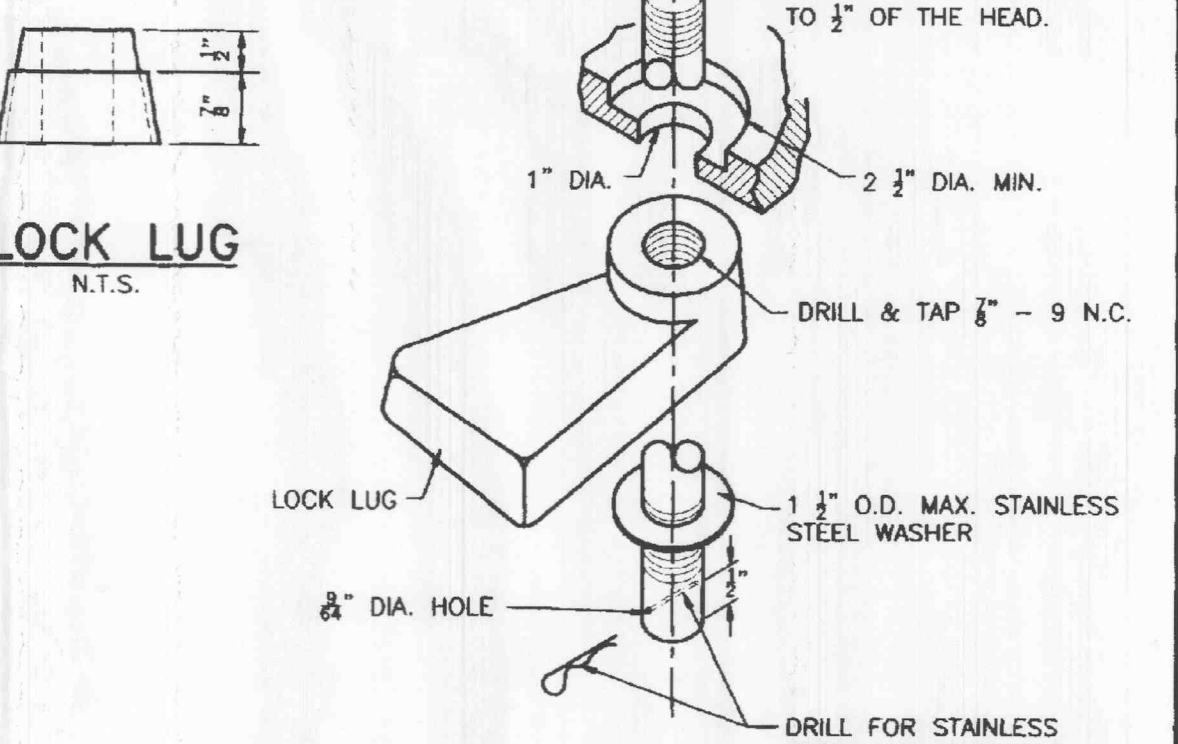
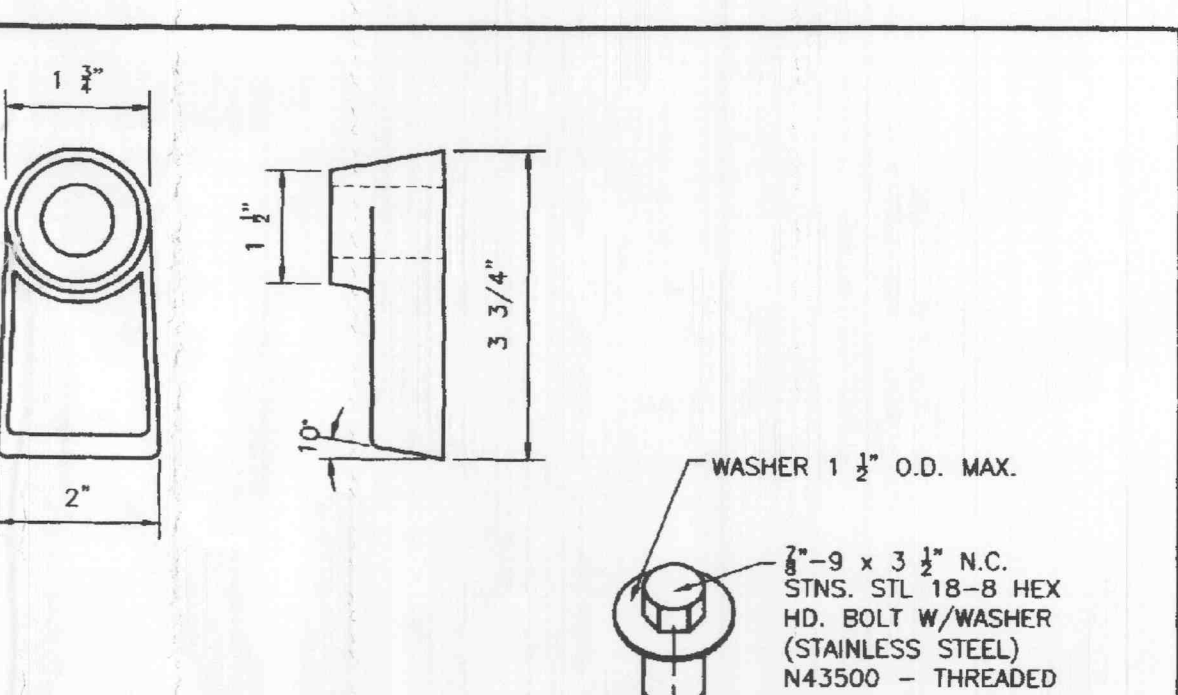
DUCKETT CREEK SANITARY DISTRICT
INSIDE
DROP
MANHOLE
Dwn By: BSM App By: KLA Detail No. 10
Cht By: MDOB Date: 01-10-00



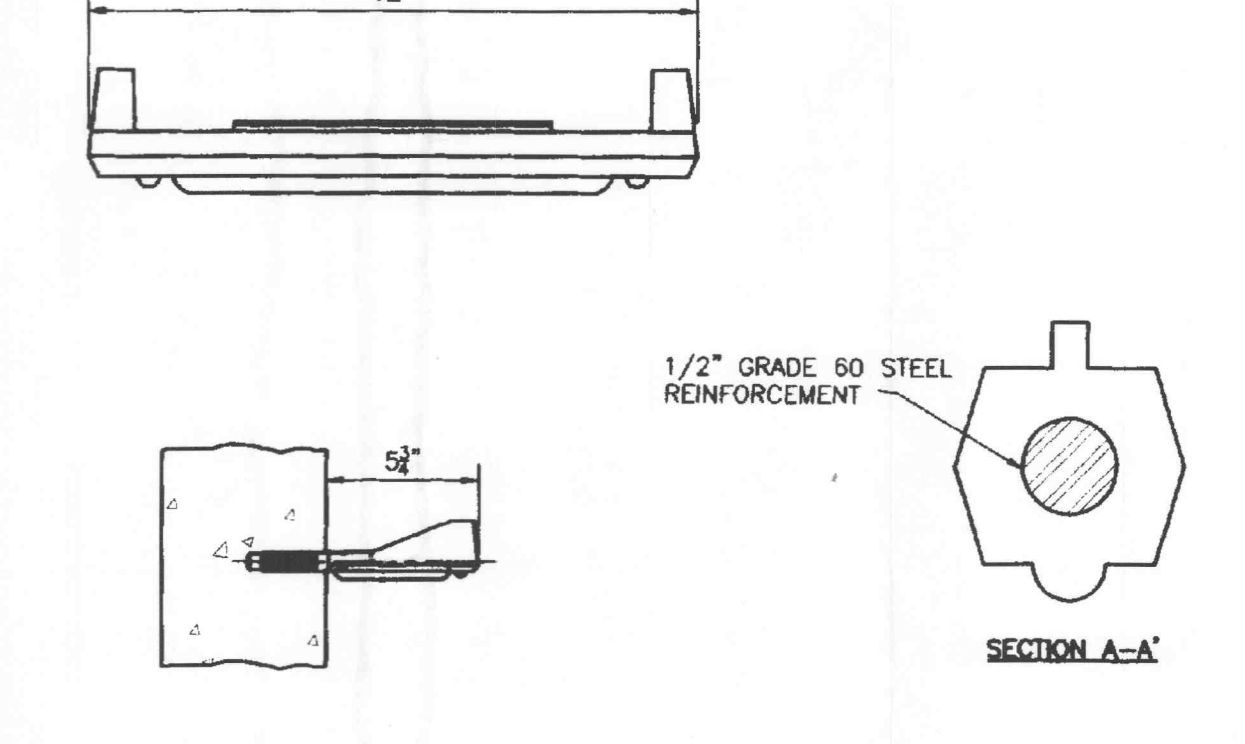
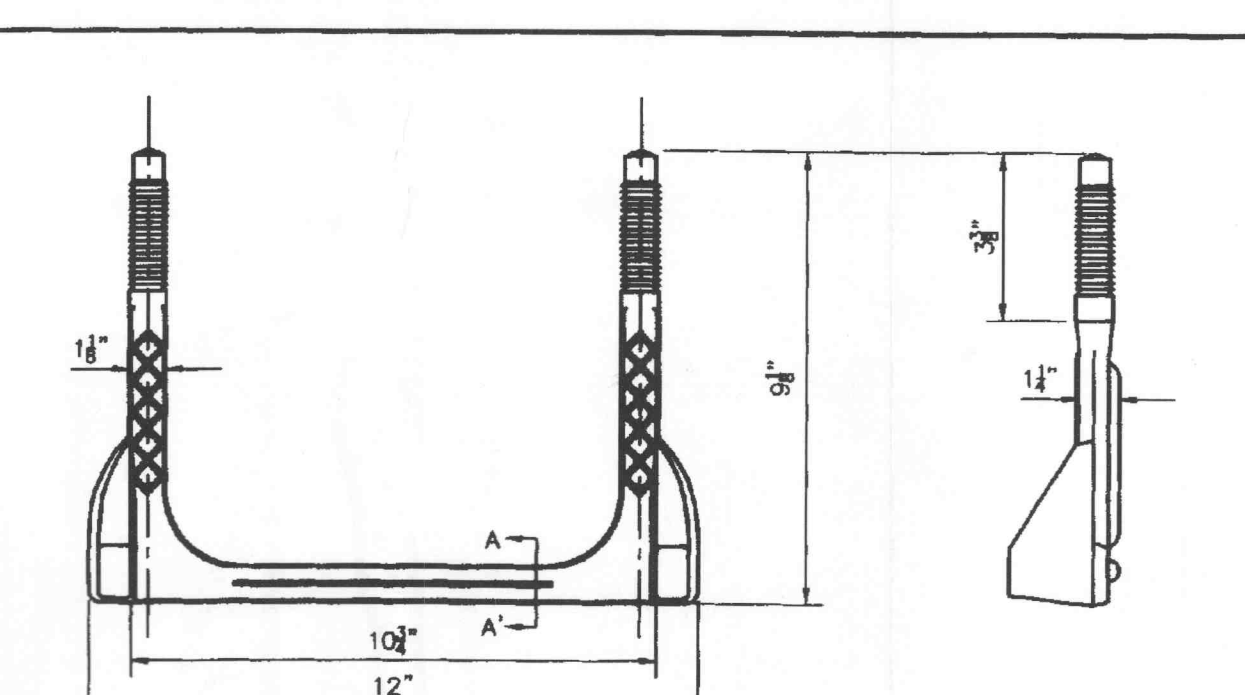
DUCKETT CREEK SANITARY DISTRICT
CAST IRON MANHOLE
COVERS
(LOCK TYPE)
Dwn By: BSM App By: KLA Detail No. 14
Cht By: MDOB Date: 12-27-00



DUCKETT CREEK SANITARY DISTRICT
LOCKING DEVICE
FOR TYPE "T"
LOCK TYPE MANHOLE COVER
Dwn By: BSM App By: KLA Detail No. 15
Cht By: MDOB Date: 12-27-00



DUCKETT CREEK SANITARY DISTRICT
LOCKING DEVICE
FOR TYPE "N"
LOCK TYPE MANHOLE COVER
Dwn By: BSM App By: KLA Detail No. 16
Cht By: MDOB Date: 12-28-00



DUCKETT CREEK SANITARY DISTRICT
MANHOLE STEP
PRECAST
MANHOLE
Dwn By: BSM App By: KLA Detail No. 18
Cht By: MDOB Date: 1-3-01

Xref Files: P:\999\99163.12-hwy 40 - r1e.k\wg\299163-DLS.DWG DATE: 02/13/2004 TIME: 14:25