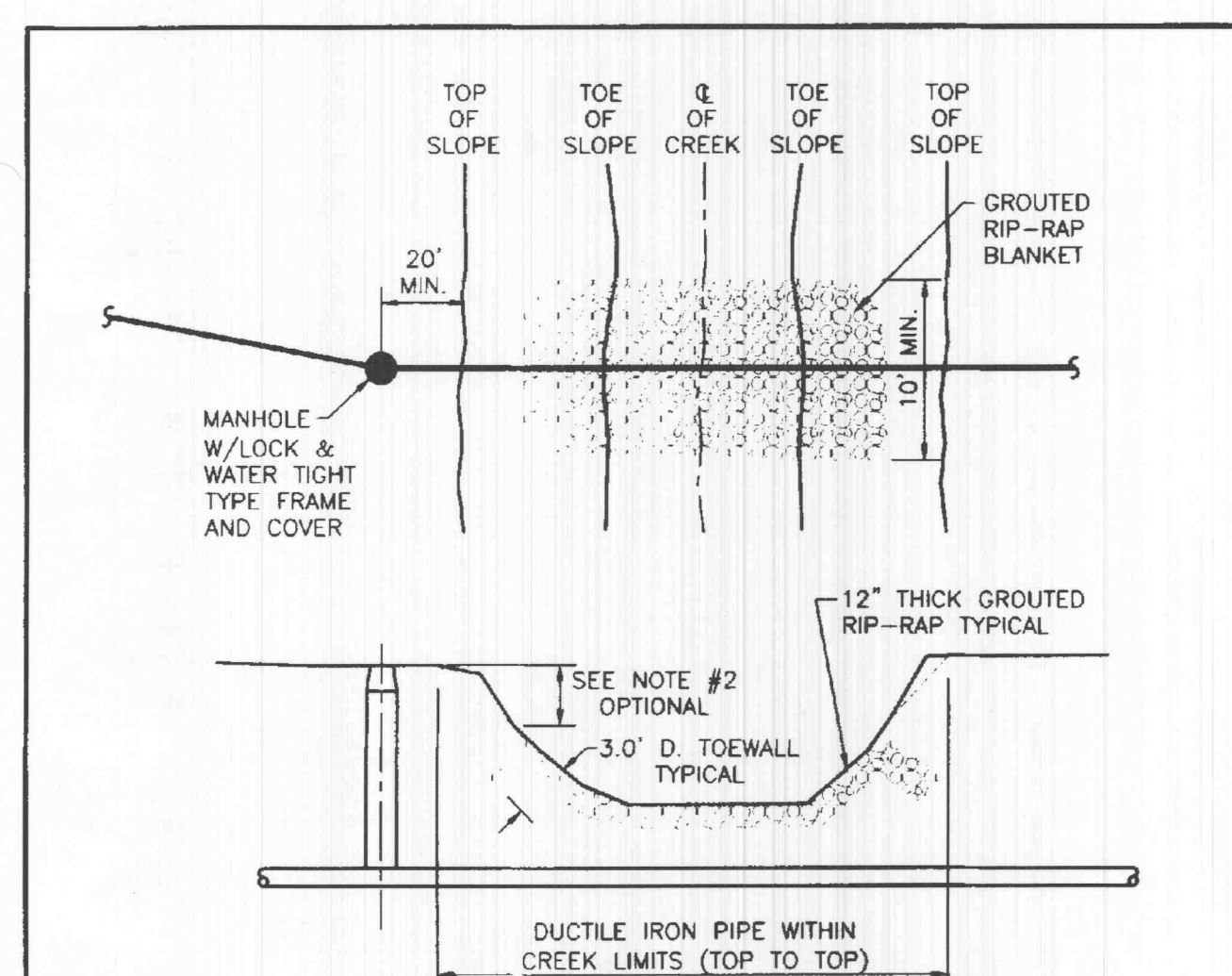


ISSUE:

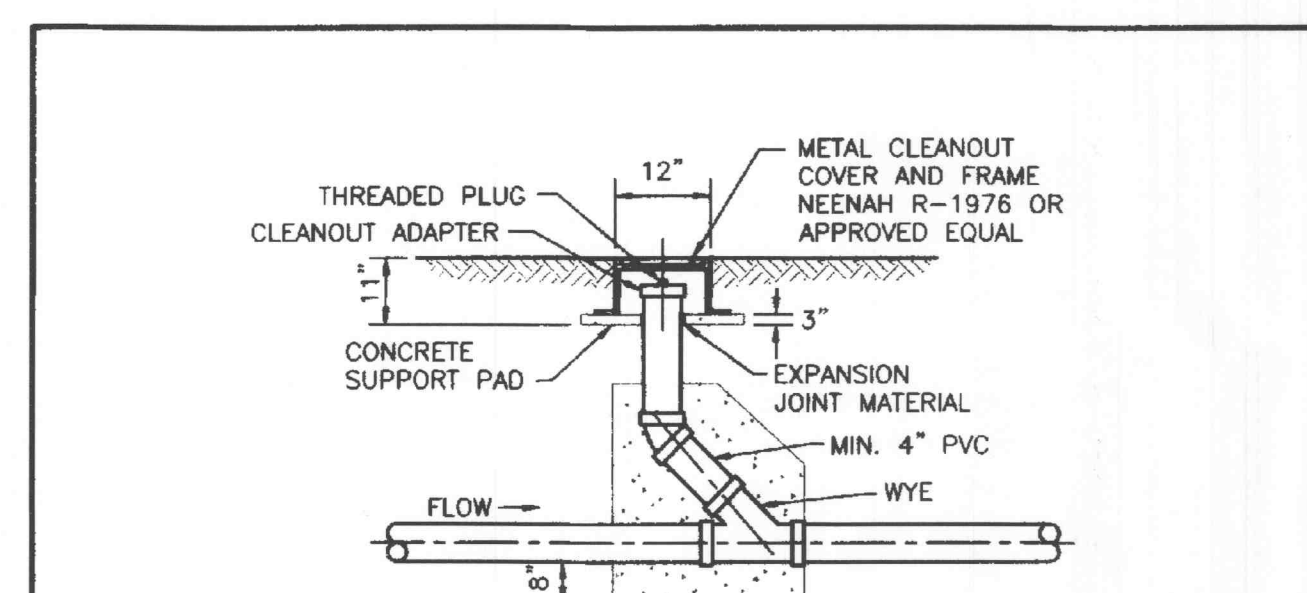
#	Date:	Description:
1	2/13/04	City of O'Fallon Comments
2	2/13/04	Duckett Creek Sanitary District Comments
3	2/13/04	Cottleville Fire Protection District Comments
4	2/13/04	MoDot Comments
5	2/13/04	Corps of Engineers Comments



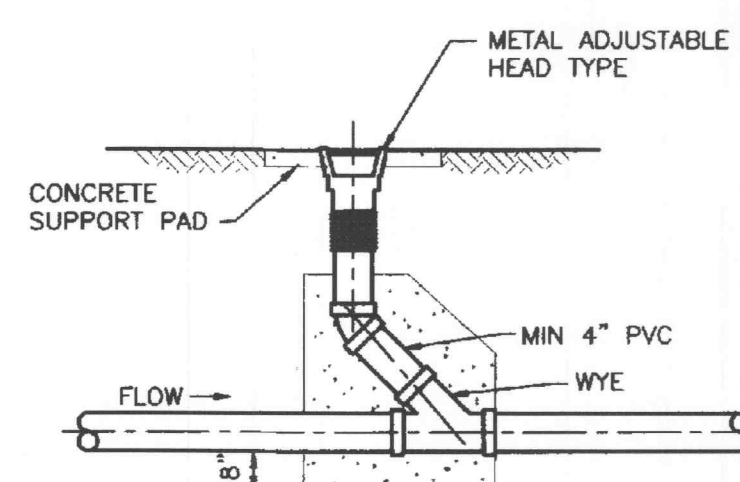
- NOTES:
1. GROUDED RIP-RAP IS REQUIRED AT ALL CREEK CROSSINGS WHERE THE EMBANKMENTS CROSSED ARE STEEPER THAN 1 VERTICAL TO 2 HORIZONTAL RATIO SLOPE; AND ALSO WHERE THERE IS 3 FEET OR LESS COVER OVER THE TOP OF THE SEWER MAIN.
 2. PLACE RIP-RAP ON LOWER 3/4 OF SLOPE. GRADE UPPER 1/4 OF SLOPE AT 1 VERTICAL TO 2 HORIZONTAL SLOPE FOR SOD OR 1 VERTICAL TO 2.5 HORIZONTAL SLOPE FOR SEED AND STRAW.
 3. RIP-RAP TO BE "MSD 5" GRADATION, MINIMUM 12" THICK, GROUDED WITH 8 SACK MIX, SAND-CEMENT SLURRY, BROOM FINISH.
 4. INCORPORATE A 3 FEET DEEP TOE WALL ON EMBANKMENT'S UPPER EDGE OF RIP-RAP.
 5. TOP SURFACE OF RIP-RAP SHOULD NOT BE HIGHER THAN ADJACENT GROUND SURFACE.
 6. IF PIPE HAS LESS THAN 12" COVER, A PAVED CHANNEL MAY BE REQUIRED.
 7. DUCTILE IRON PIPE IS REQUIRED WITHIN THE CREEK LIMITS.

Duckett Creek Sanitary District

TYPICAL CREEK CROSSING	Des By: BSM	App By: KLA	Detail No. 24
	Clad By: MDOB	Date: 1-8-01	



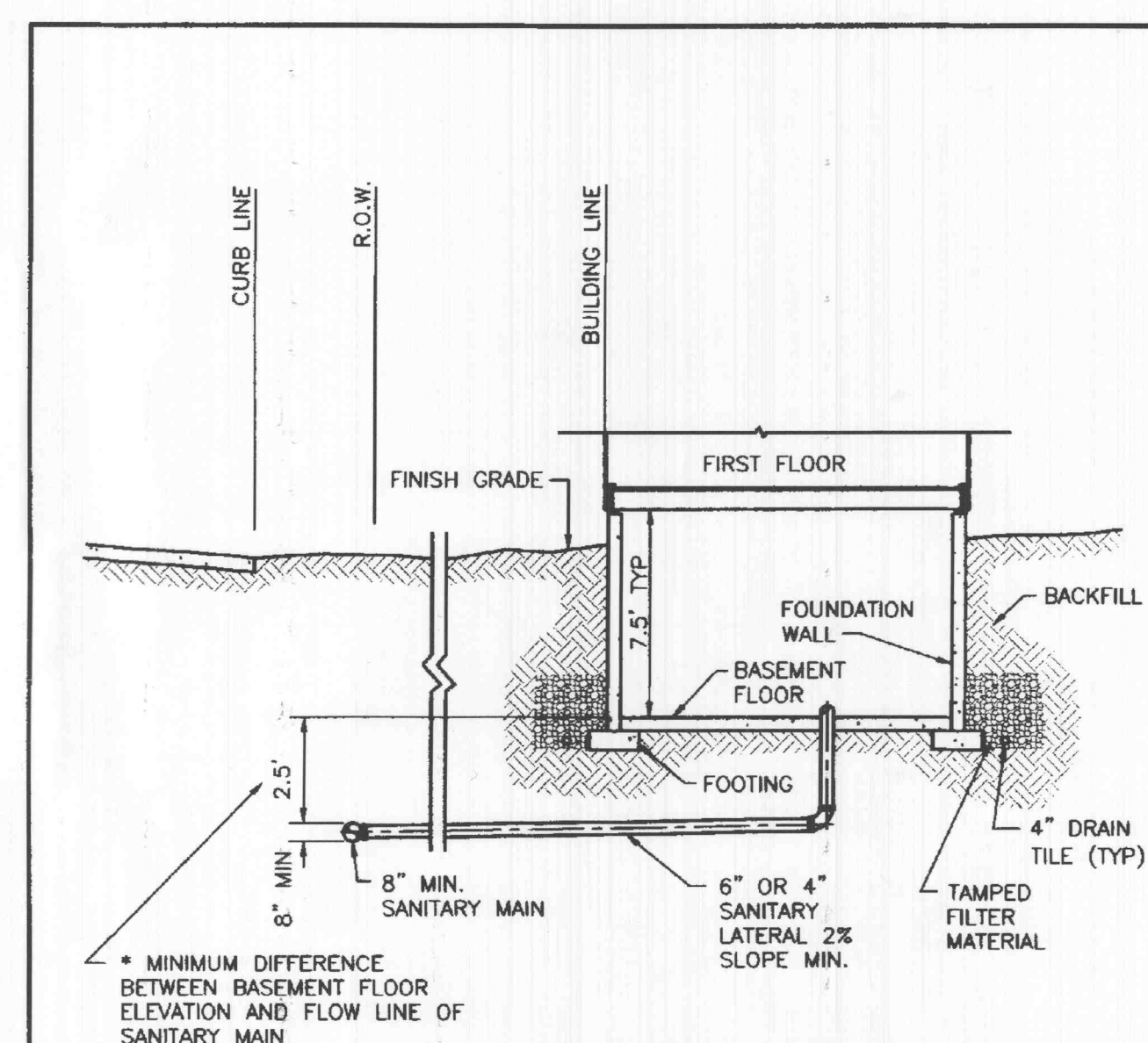
METAL FRAME AND COVER TYPE CLEANOUT



ADJUSTABLE HEAD TYPE CLEANOUT

Duckett Creek Sanitary District

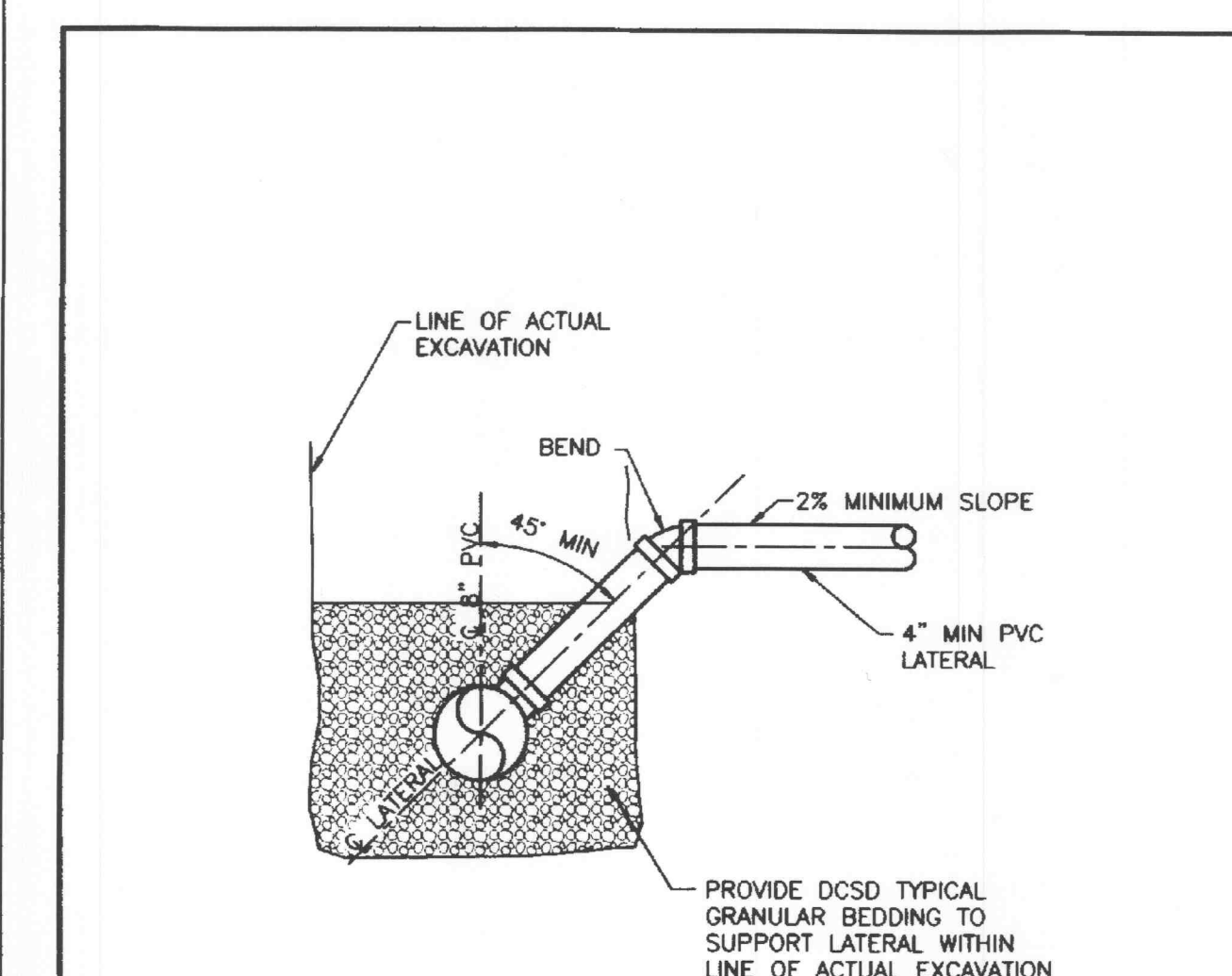
TYPICAL SEWER LATERAL CLEANOUT DETAILS	Des By: BSM	App By: KLA	Detail No. 25
	Clad By: MDOB	Date: 1-8-01	



*NOTE: DIFFERENCE IN DEPTH INCREASES WITH PIPE SIZE

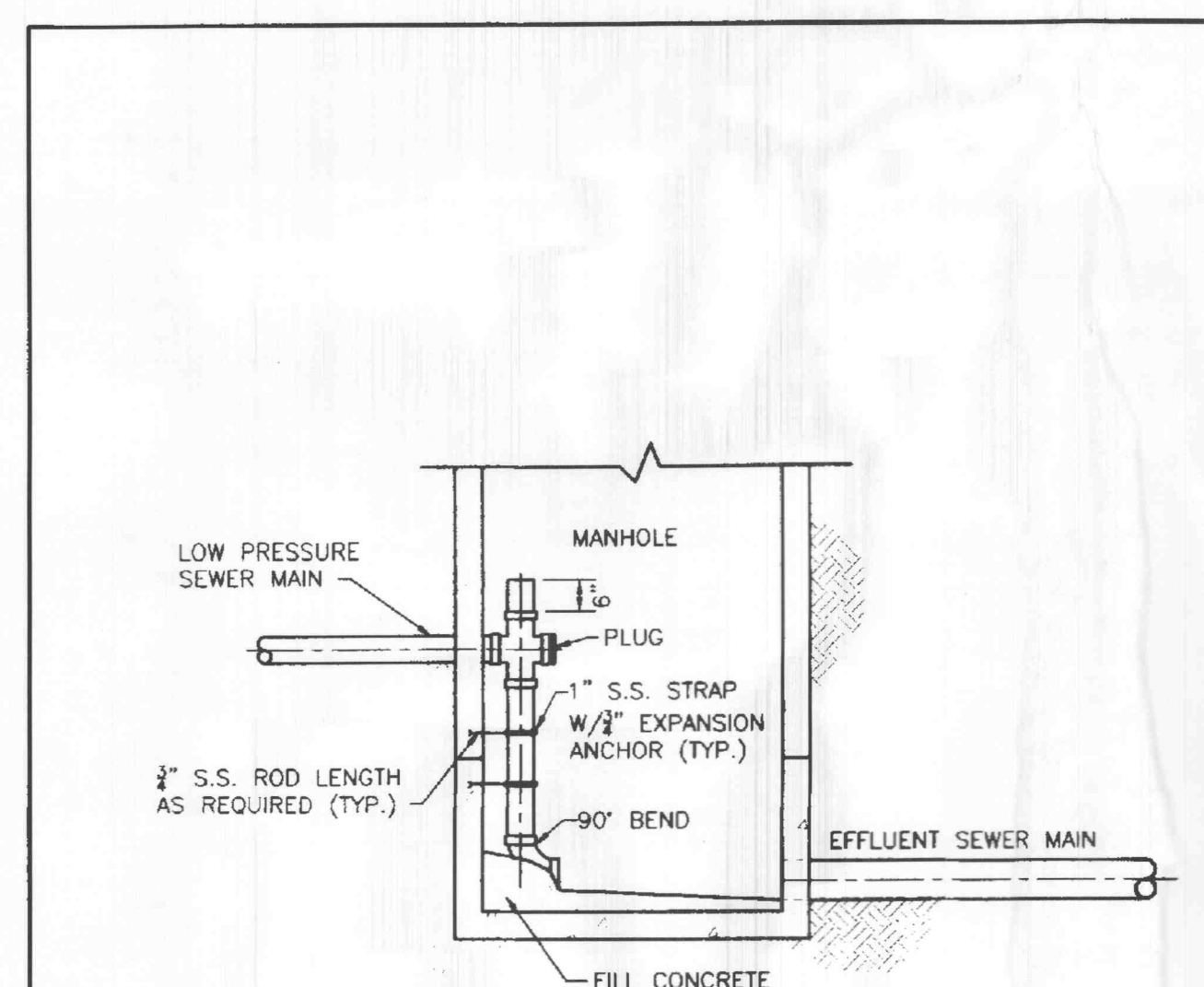
Duckett Creek Sanitary District

TYPICAL SANITARY SEWER LATERAL PROFILE	Des By: BSM	App By: KLA	Detail No. 26
	Clad By: MDOB	Date: 1-9-01	



Duckett Creek Sanitary District

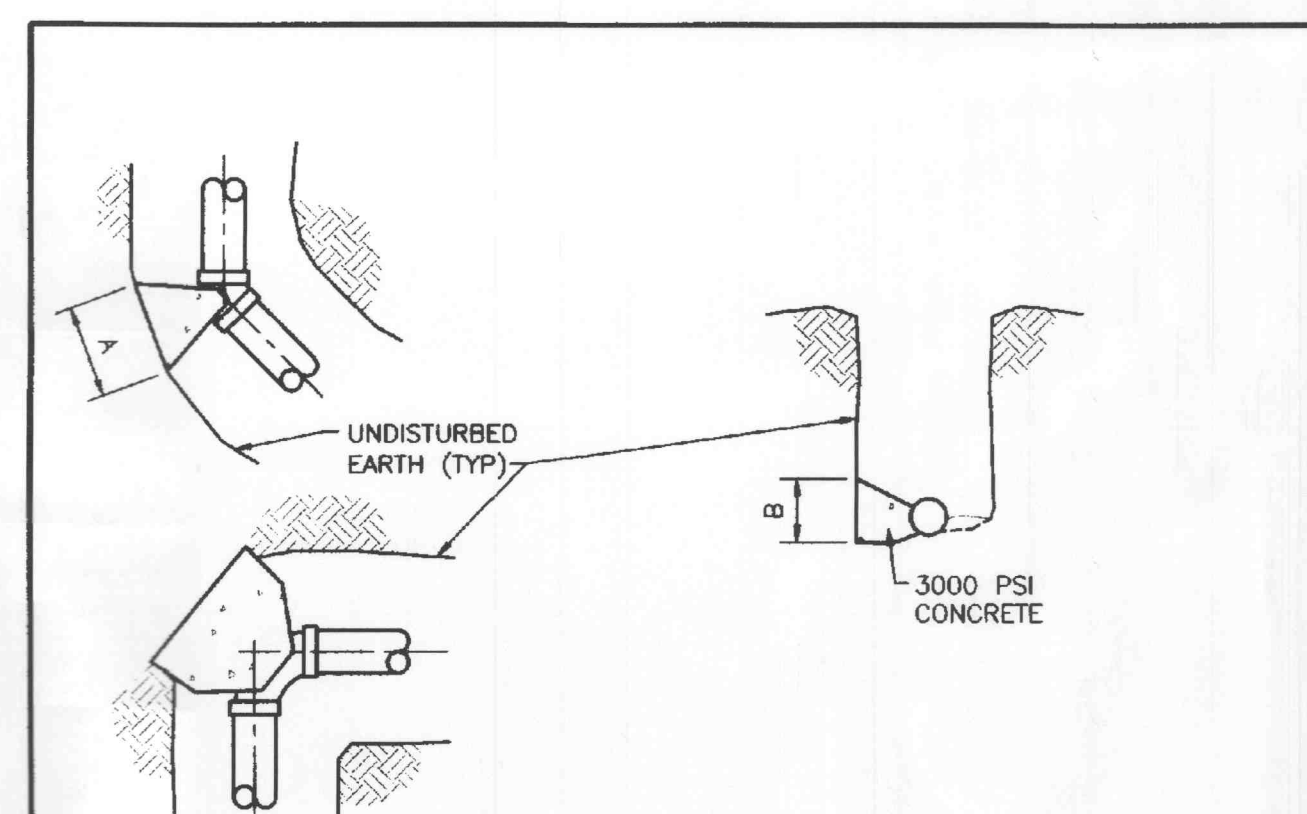
SANITARY SEWER LATERAL RISER DETAIL	Des By: BSM	App By: KLA	Detail No. 27
	Clad By: MDOB	Date: 1-9-01	



NOTE: INVERT-BOTTOM SHALL BE WORKED TO PROVIDE POSITIVE DRAINAGE THROUGH MANHOLE

Duckett Creek Sanitary District

LOW PRESSURE SEWER MAIN CONNECTION AT MANHOLE	Des By: BSM	App By: KLA	Detail No. 28
	Clad By: MDOB	Date: 1-9-01	



MAIN SIZE	A x B 22"	A x B 45"	A x B 90"	A x B TEE
2"	.5' x 1'	.5' x 1'	1' x 1'	1' x 1'
4"	1' x 1'	1' x 1'	1.5' x 1'	1' x 1'
6"	1' x 1'	1.5' x 1'	2' x 1'	1.5' x 1'
8"	1' x 1'	2' x 1'	2' x 1'	2' x 1'

Duckett Creek Sanitary District

THRUST BLOCK DETAIL AND SIZE SCHEDULE	Des By: BSM	App By: KLA	Detail No. 29
	Clad By: MDOB	Date: 1-9-01	



MISSOURI ONE CALL SYSTEM, INC.
* FIBER OPTIC PRESENT *
MoDOT (314) 340-4100

PROJECT:
PERSIMMON POINTE
HOTEL DEVELOPMENT



#4130 HIGHWAY 40-61
O'FALLON, MO

Date: 12-30-03
Design/Drawn: DE
Approved: JTE
Book No.:

SHEET TITLE:
DETAILS

SHEET NUMBER:

C17

SHEET 21 OF 36