

VEGETATION ESTABLISHMENT For Urban Development Sites APPENDIX A

SEEDING RATES:

PERMANENT:
Tall Fescue - 30 lbs./ac.
Smooth Brome - 20 lbs./ac.
Combined - Fescue @ 15 lbs./ac. AND Brome @ 10 lbs./ac.

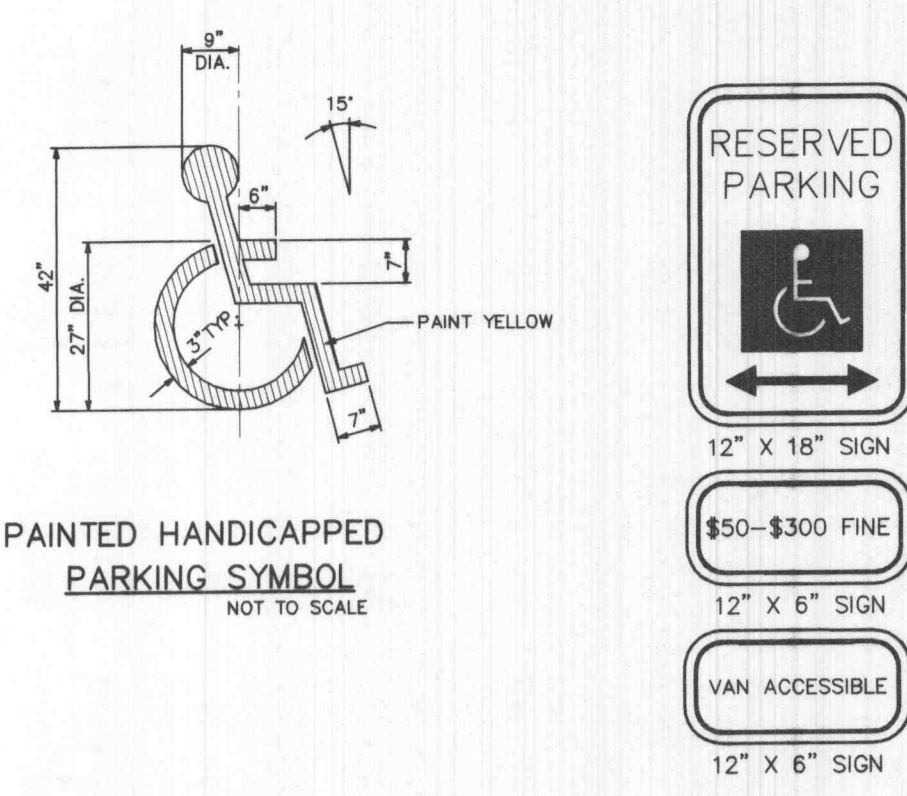
TEMPORARY:
Wheat or Rye - 150 lbs./ac. (3.5 lbs. per sq. ft.)
Oats - 120 lbs./ac. (2.75 lbs. per sq. ft.)

SEEDING PERIODS:
Fescue or Brome - March 1 to June 1
Wheat or Rye - August 1 to October 1
Oats - March 15 to November 1

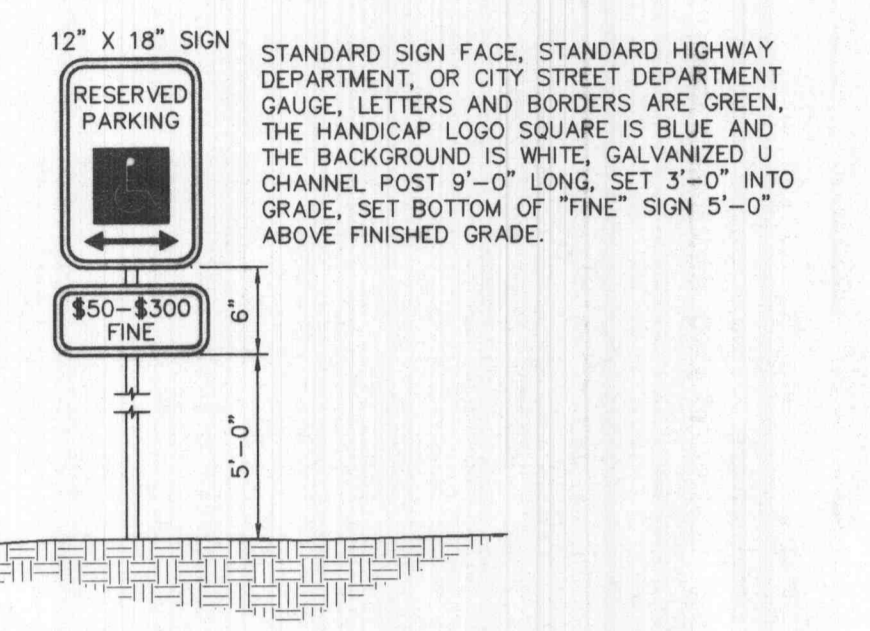
MULCH RATES:
100 lbs. per 1000 sq. ft. (4,356 lbs. per ac.)

FERTILIZER RATES:
Nitrogen 30 lbs./ac.
Phosphate 30 lbs./ac.
Potassium 30 lbs./ac.
Lime 600 lbs./ac. ENM*

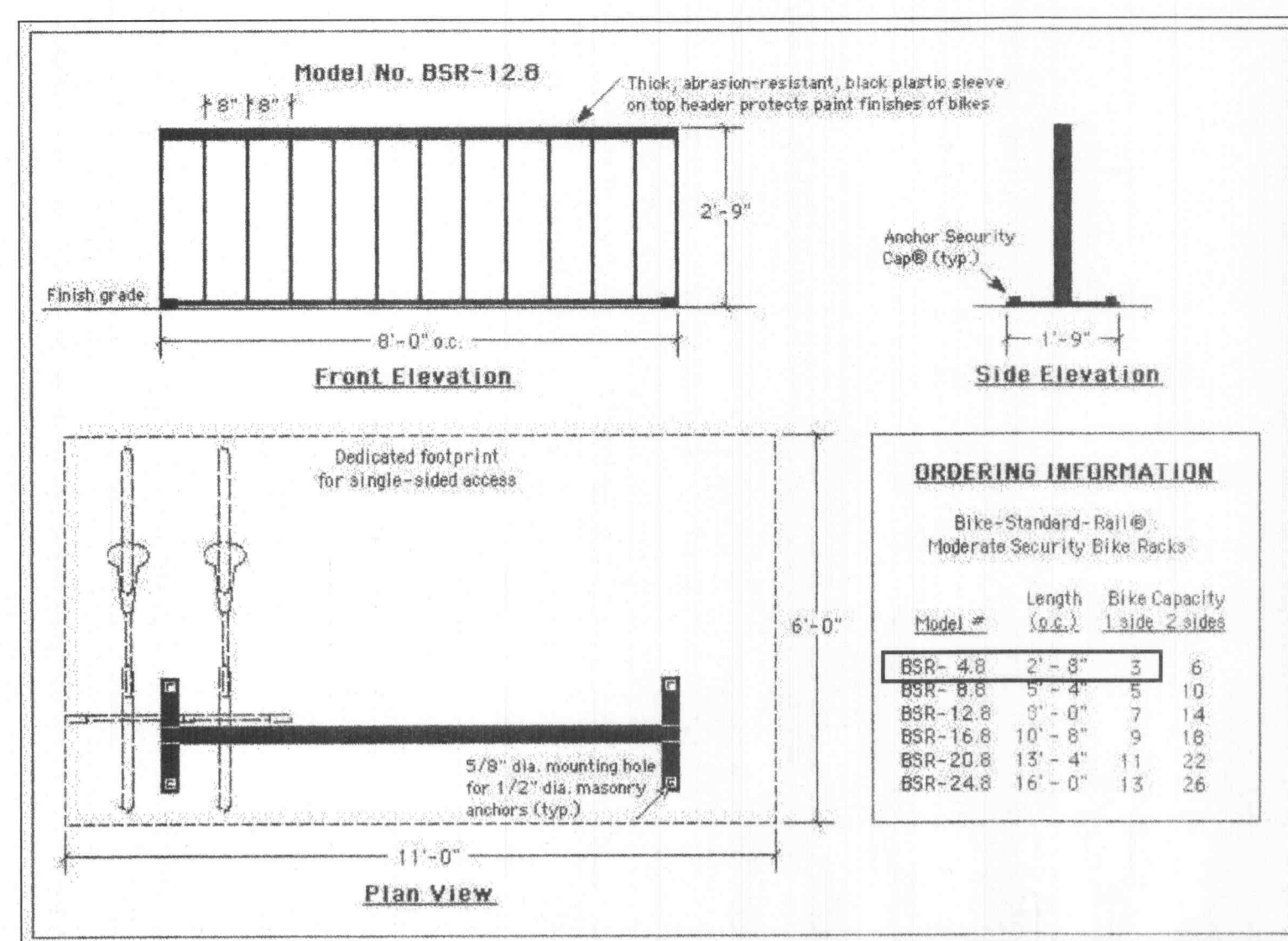
* ENM = effective neutralizing material as per State evaluation of quarried rock.



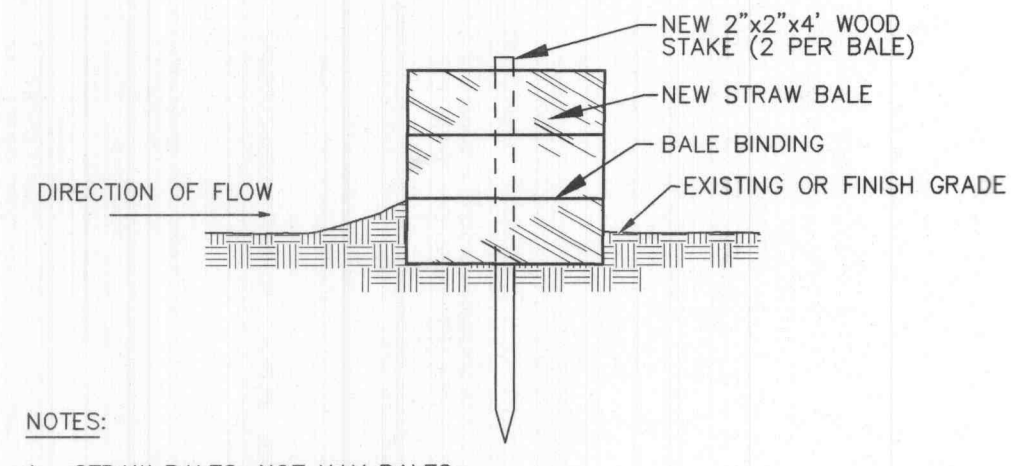
STANDARD SIGN FACE, STANDARD HIGHWAY DEPARTMENT, OR CITY STREET DEPARTMENT GAUGE, LETTERS AND BORDERS ARE GREEN, THE HANDICAP LOGO SQUARE IS BLUE AND THE BACKGROUND IS WHITE, GALVANIZED U CHANNEL POST 8'-0" LONG, SET 3'-0" INTO GRADE, SET BOTTOM OF SIGN 5'-0" ABOVE FINISHED GRADE.



STANDARD SIGN FACE, STANDARD HIGHWAY DEPARTMENT, OR CITY STREET DEPARTMENT GAUGE, LETTERS AND BORDERS ARE GREEN, THE HANDICAP LOGO SQUARE IS BLUE AND THE BACKGROUND IS WHITE, GALVANIZED U CHANNEL POST 9'-0" LONG, SET 3'-0" INTO GRADE, SET BOTTOM OF "FINE" SIGN 5'-0" ABOVE FINISHED GRADE.

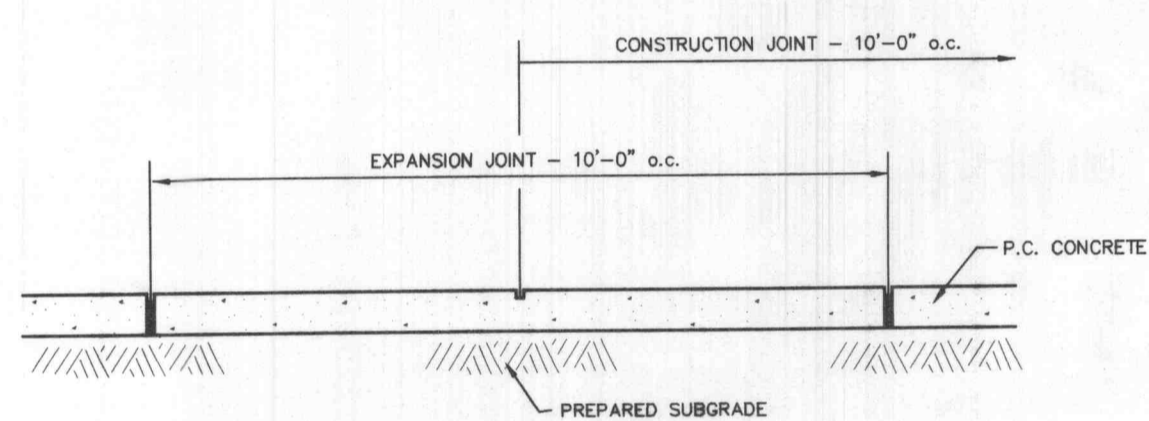
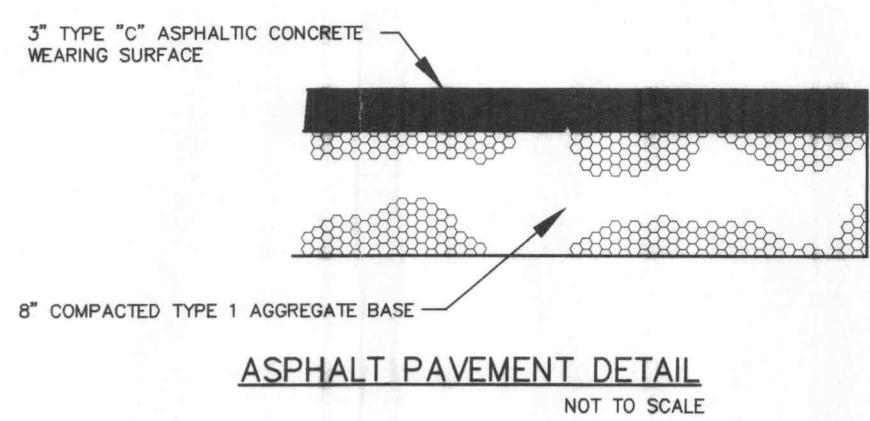


BIKE RACK DETAIL
NOT TO SCALE

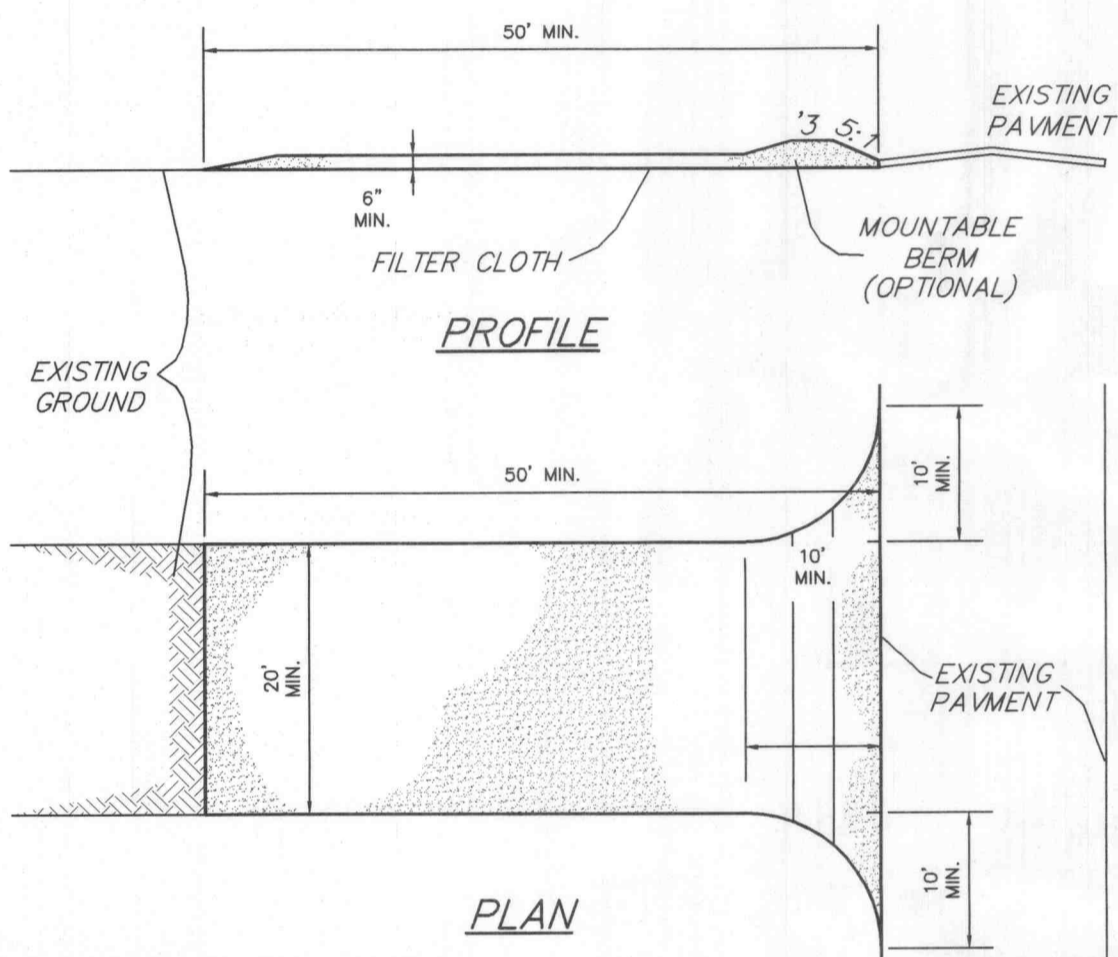


- NOTES:
1. STRAW BALES, NOT HAY BALES SHALL BE USED
 2. BUTT ENDS OF BALES TIGHTLY TOGETHER.
 3. INSTALL BALES WITH BINDING AROUND SIDES, NOT TOP AND BOTTOM.
 4. FILL ANY GAP BETWEEN BALES BY WEDGING LOOSE STRAW BETWEEN THEM.

SEDIMENT BARRIER
NOT TO SCALE



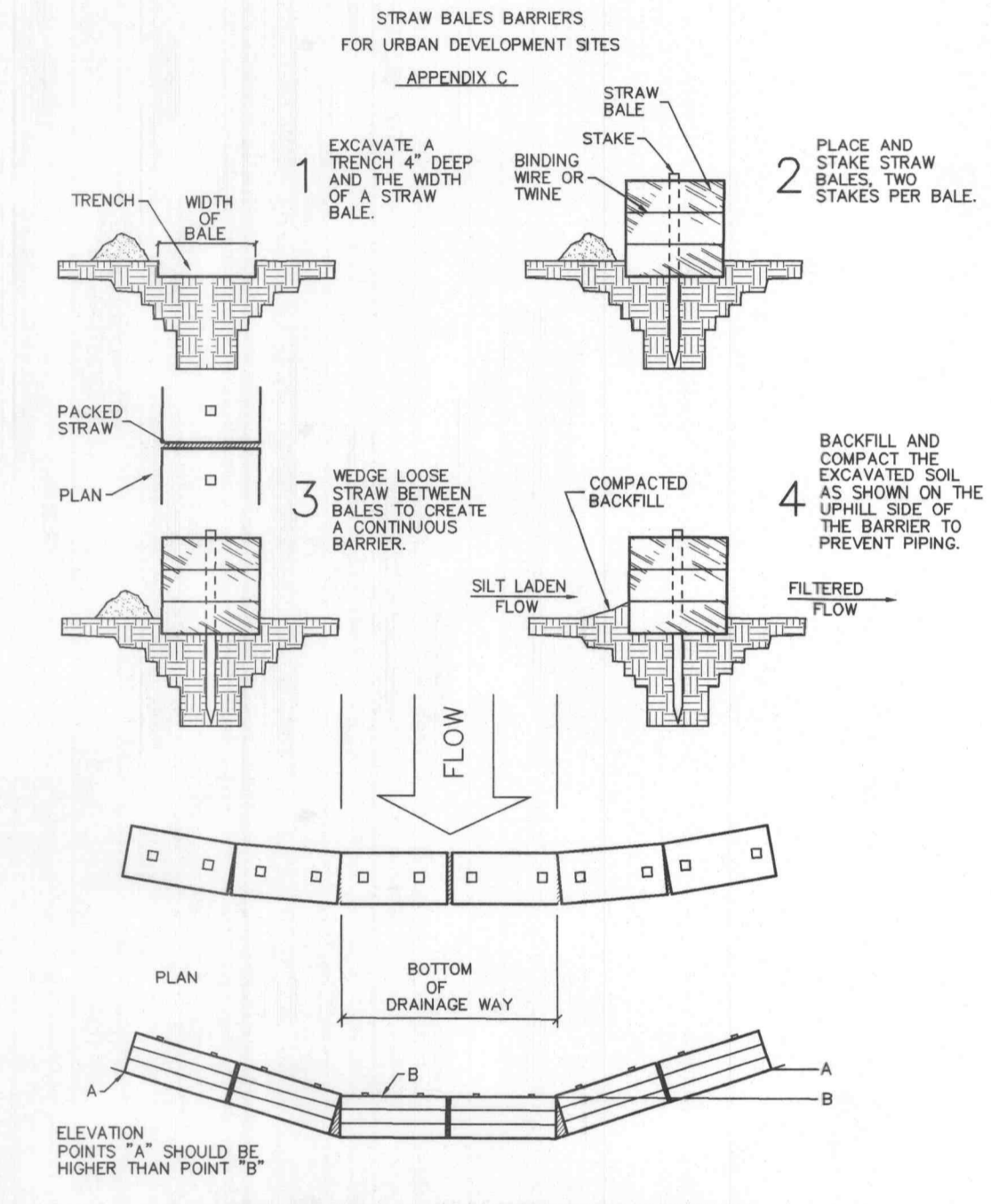
CONCRETE SIDEWALK DETAIL
NOT TO SCALE



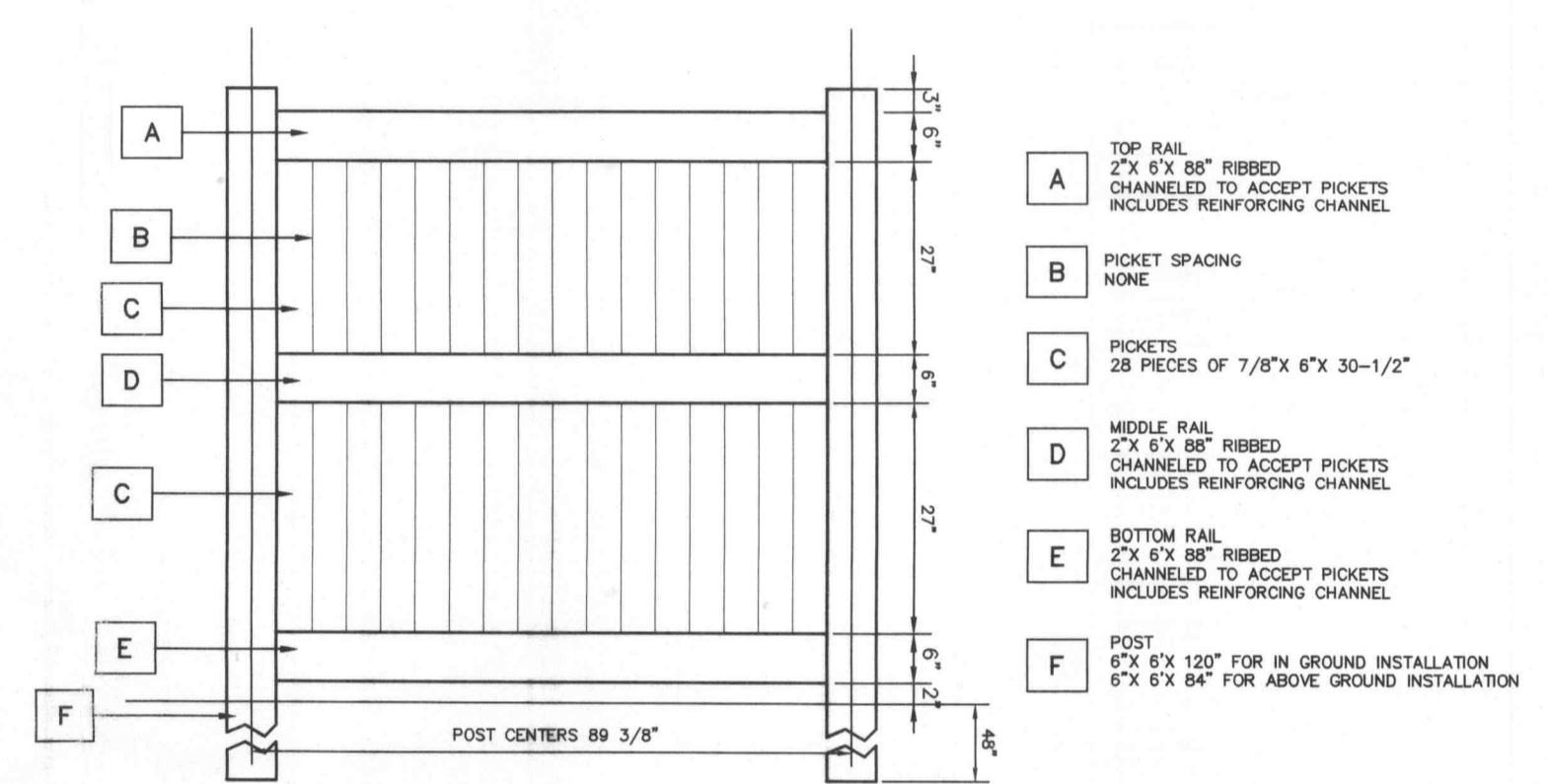
CONSTRUCTION SPECIFICATIONS

1. Stone Size - Use 2" stone, or reclaimed or recycled concrete equivalent.
2. Length - As required, but not less than 50 feet (except on a single residence lot where a 30 foot minimum length would apply).
3. Thickness - Not less than six (6) inches.
4. Width - Twenty (20) foot minimum, but not less than the full width at points where ingress or egress occurs.
5. Filter Cloth - Will be placed over the entire area prior to placing of stone. Filter will not be required on a single family residence lot.
6. Surface Water - All surface water flowing or diverted toward construction entrances shall be piped across the entrance. If piping is impractical, a mountable berm with 5:1 slopes will be permitted.
7. Maintenance - The entrance shall be maintained in a condition which will prevent tracking or flowing of sediment onto public rights-of-way. This may require periodic top dressing with additional stone as conditions demand and repair and/or cleanout of any measures used to trap sediment. All sediment spilled, dropped, washed or tracked onto public rights-of-way must be removed immediately.
8. Washing - Wheels shall be cleaned to remove sediment prior to entrance onto public rights-of-way. When washing is required, it shall be done on an area stabilized with stone and which drains into an approved sediment trapping device.
9. Periodic inspection and needed maintenance shall be provided after each rain.

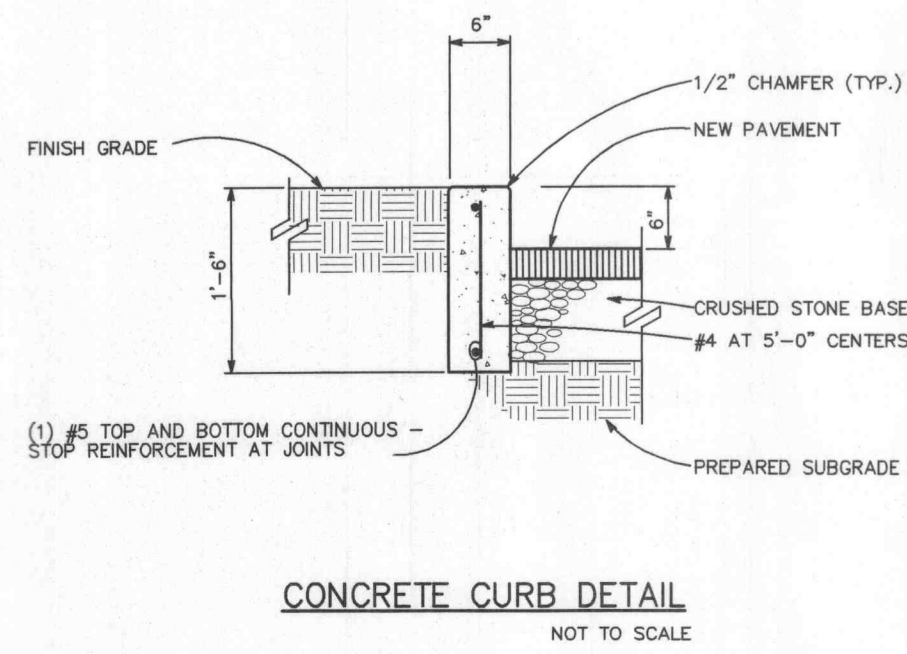
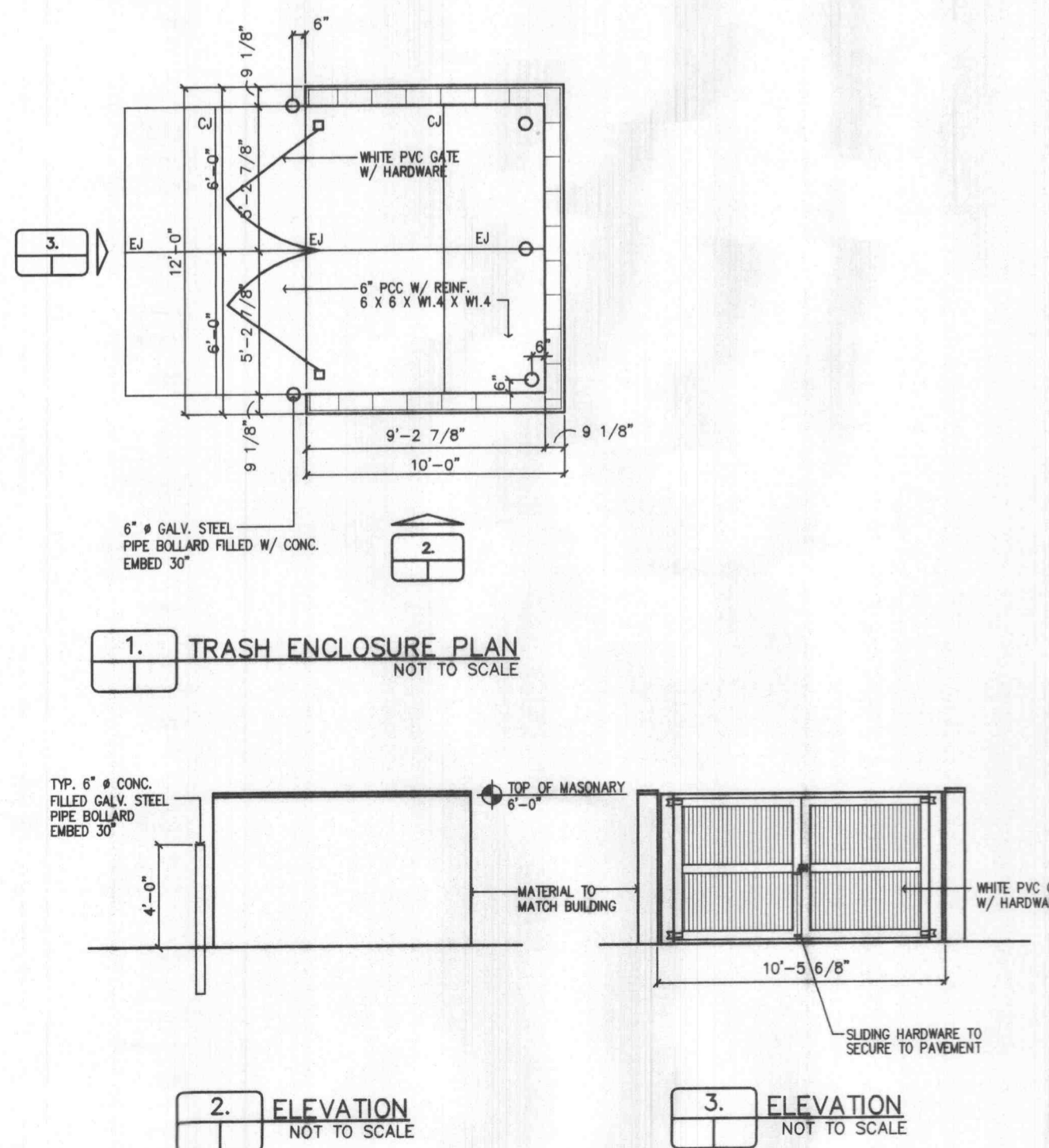
STABILIZED CONSTRUCTION ENTRANCE/WASHDOWN AREA
NOT TO SCALE



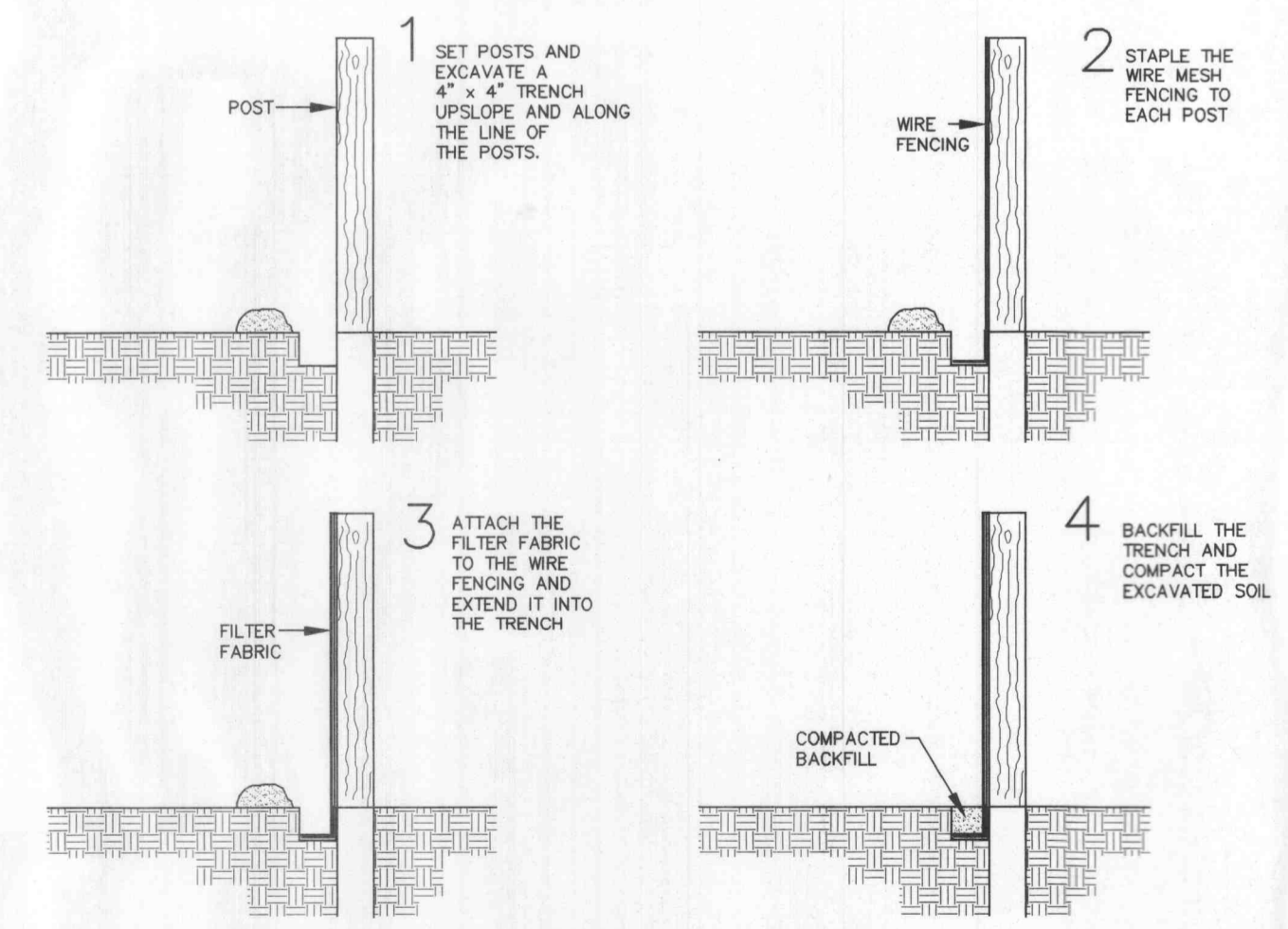
PLACEMENT AND CONSTRUCTION OF STRAW BALE BARRIER



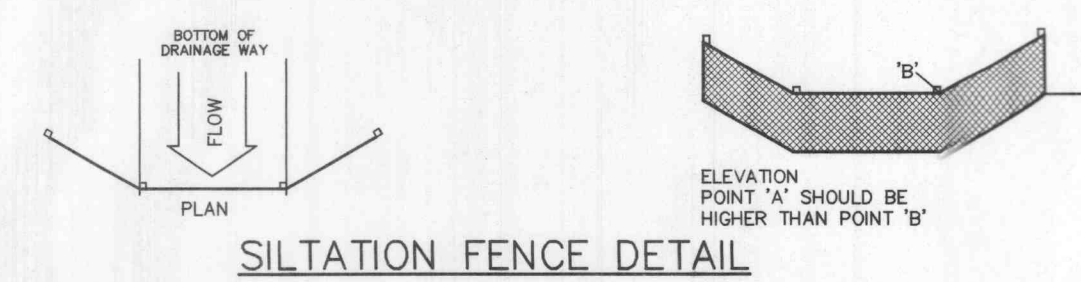
6' HIGH VINYL PRIVACY FENCE FOR AROUND MECHANICAL UNITS
NOT TO SCALE



CONCRETE CURB DETAIL
NOT TO SCALE



1. FILTER BARRIERS SHALL BE INSPECTED IMMEDIATELY AFTER EACH RAINFALL AND AT LEAST DAILY DURING PROLONGED RAINFALL. ANY REQUIRED REPAIRS SHALL BE MADE IMMEDIATELY.
2. SHOULD THE FABRIC DECOMPOSE OR BECOME INEFFECTIVE PRIOR TO THE END OF THE EXPECTED USABLE LIFE AND THE BARRIER STILL BE NECESSARY, THE FABRIC SHALL BE REPLACED PROMPTLY.
3. SEDIMENT DEPOSITS SHOULD BE REMOVED AFTER EACH STORM EVENT, THEY MUST BE REMOVED WHEN DEPOSITS REACH APPROXIMATELY HALF THE HEIGHT OF THE BARRIER.
4. ANY SEDIMENT DEPOSITS REMAINING IN PLACE AFTER THE SILT FENCE OR FILTER BARRIER IS NO LONGER REQUIRED SHALL BE DRESSED TO CONFORM WITH THE EXISTING GRADE, PREPARED AND SEEDED.



SILTATION FENCE DETAIL

UNDERGROUND UTILITIES HAVE BEEN PLOTTED FROM AVAILABLE INFORMATION AND THEREFORE THEIR LOCATIONS SHALL BE CONSIDERED APPROXIMATE ONLY. THE VERIFICATION OF THE LOCATION OF ALL UNDERGROUND UTILITIES, EITHER SHOWN OR NOT SHOWN ON THESE PLANS SHALL BE THE RESPONSIBILITY OF THE CONTRACTOR, AND SHALL BE LOCATED PRIOR TO ANY GRADING OR CONSTRUCTION OF THE IMPROVEMENTS.