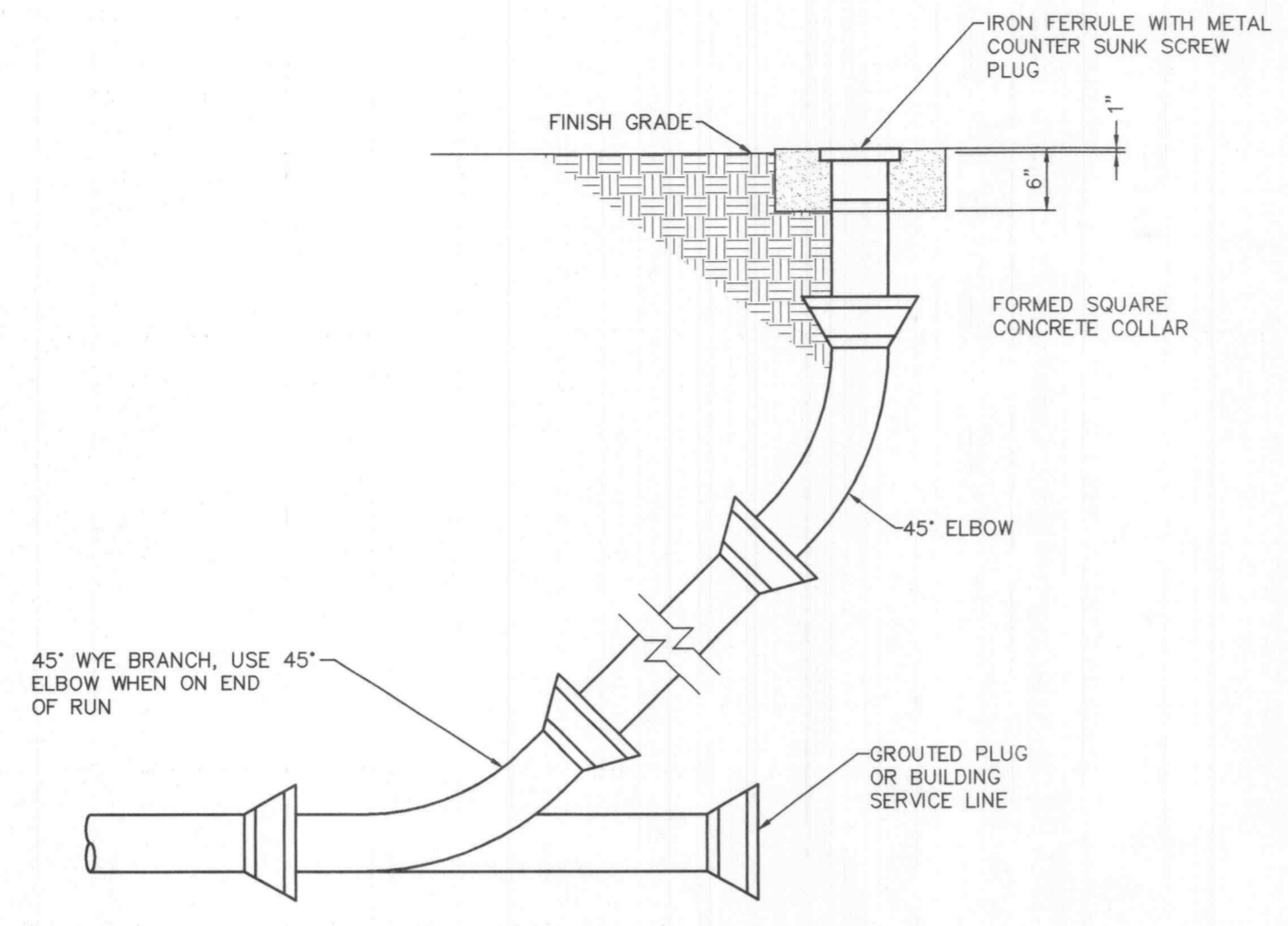
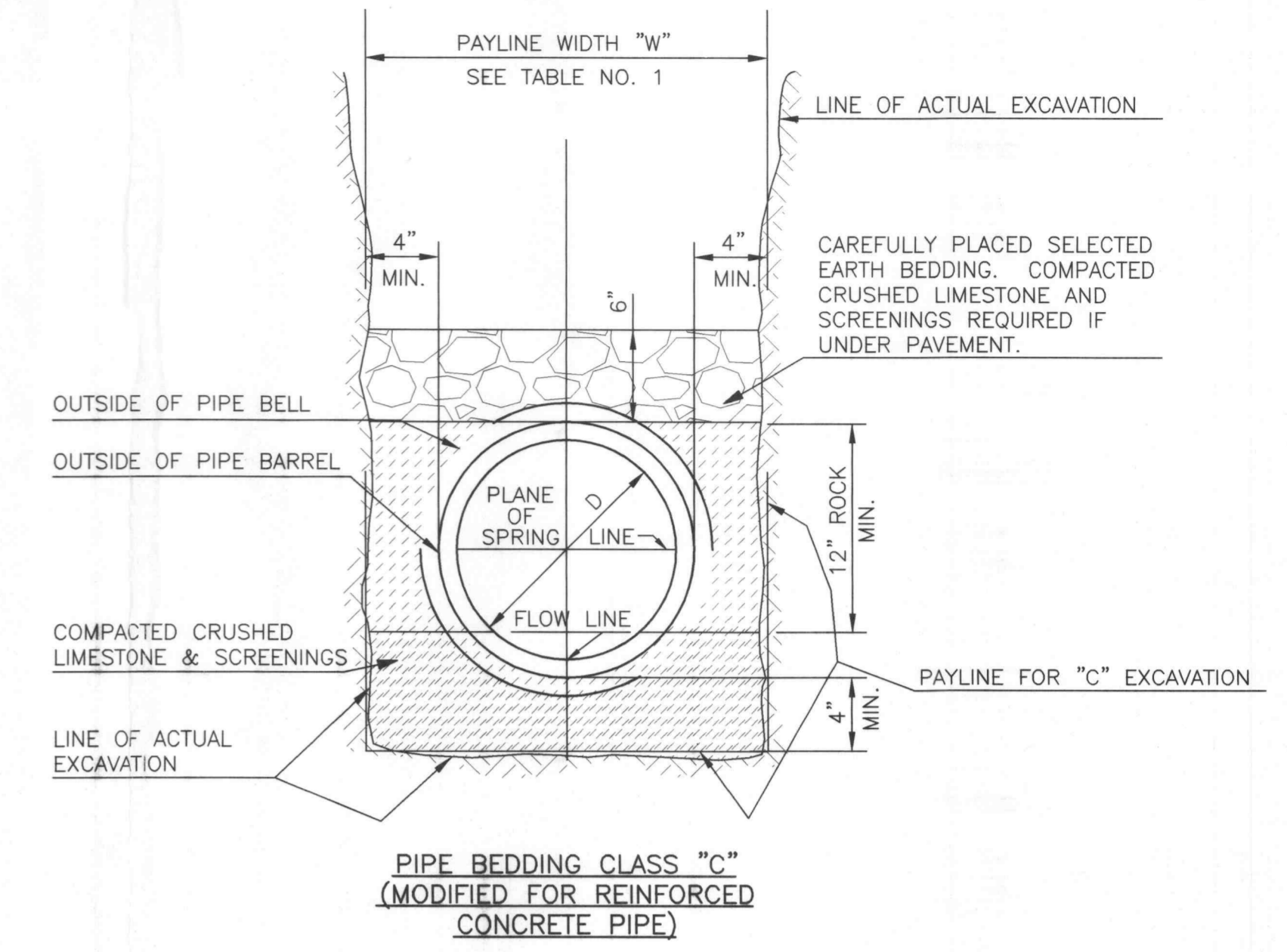


ROUND PIPE				HORIZONTAL ELLIPTICAL PIPE			
Inside Diameter of Pipe (Inches)	"W" Payline Width of Trench (Inches)	"W" Payline Width of Trench (Feet)	Pay-volumes cu. ft. per ft. Concrete Encasement	Inside Diameter of Pipe (Inches)	"W" Payline Width of Trench (Inches)	"W" Payline Width of Trench (Feet)	Pay-volumes cu. ft. per ft. Concrete Encasement
4	28	2.33	3.20				
6	28	2.33	3.46				
8	28	2.33	3.70				
10	28	2.33	3.86				
12	28	2.33	3.98				
15	32	2.67	4.89				

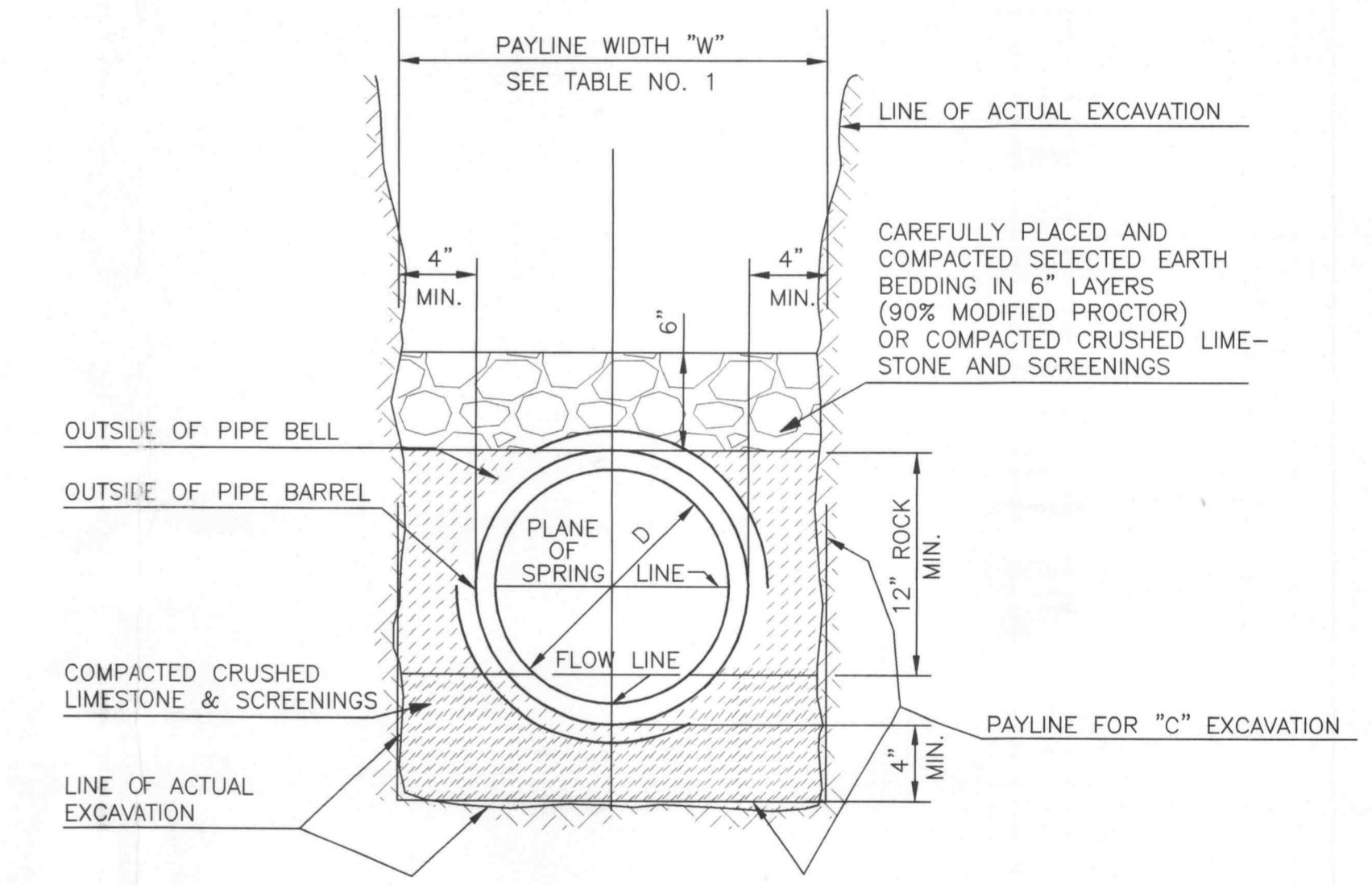
TABLE NO. 1
PAYLINE WIDTHS OF TRENCH AND
PAY-QUANTITIES OF CONCRETE



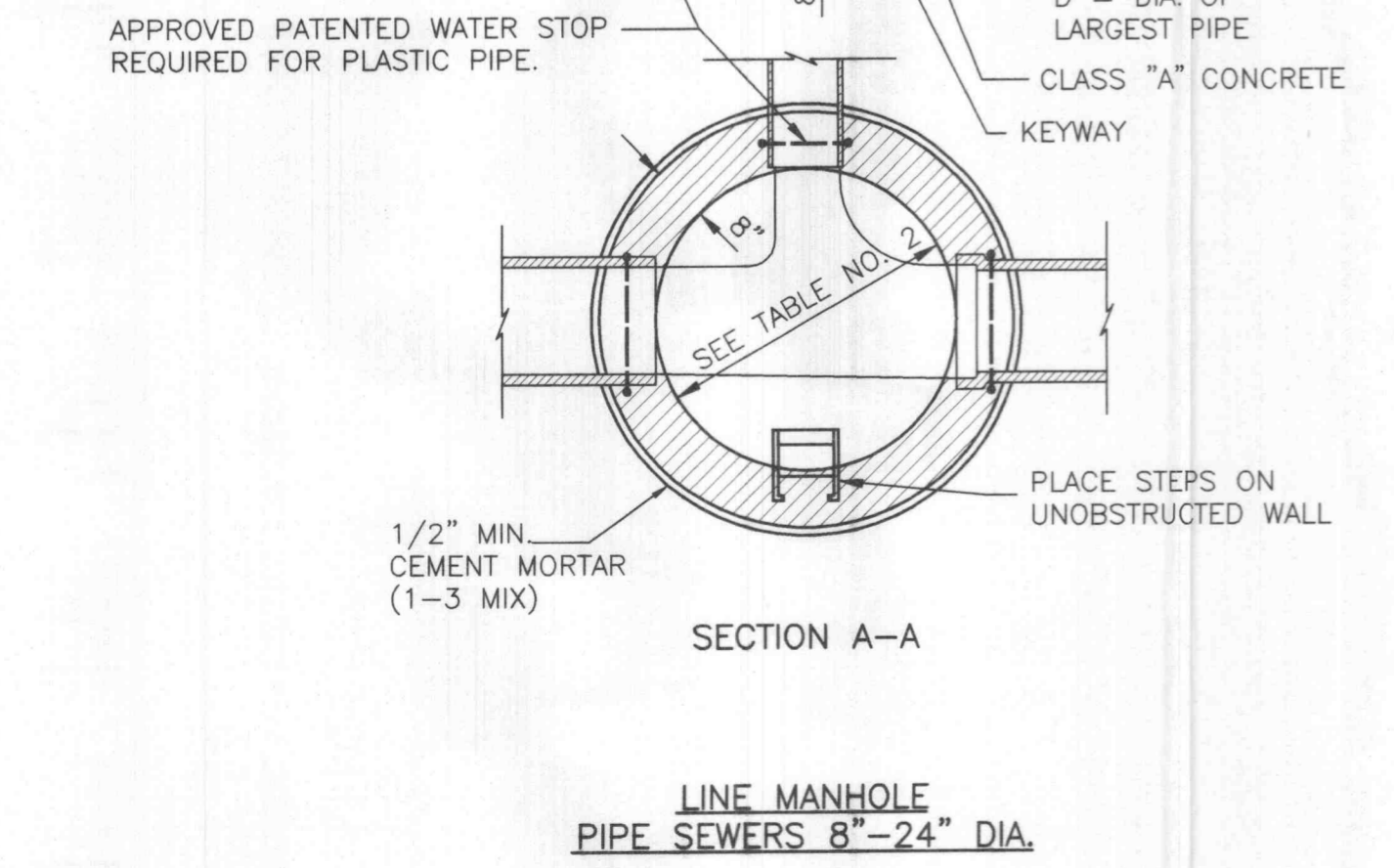
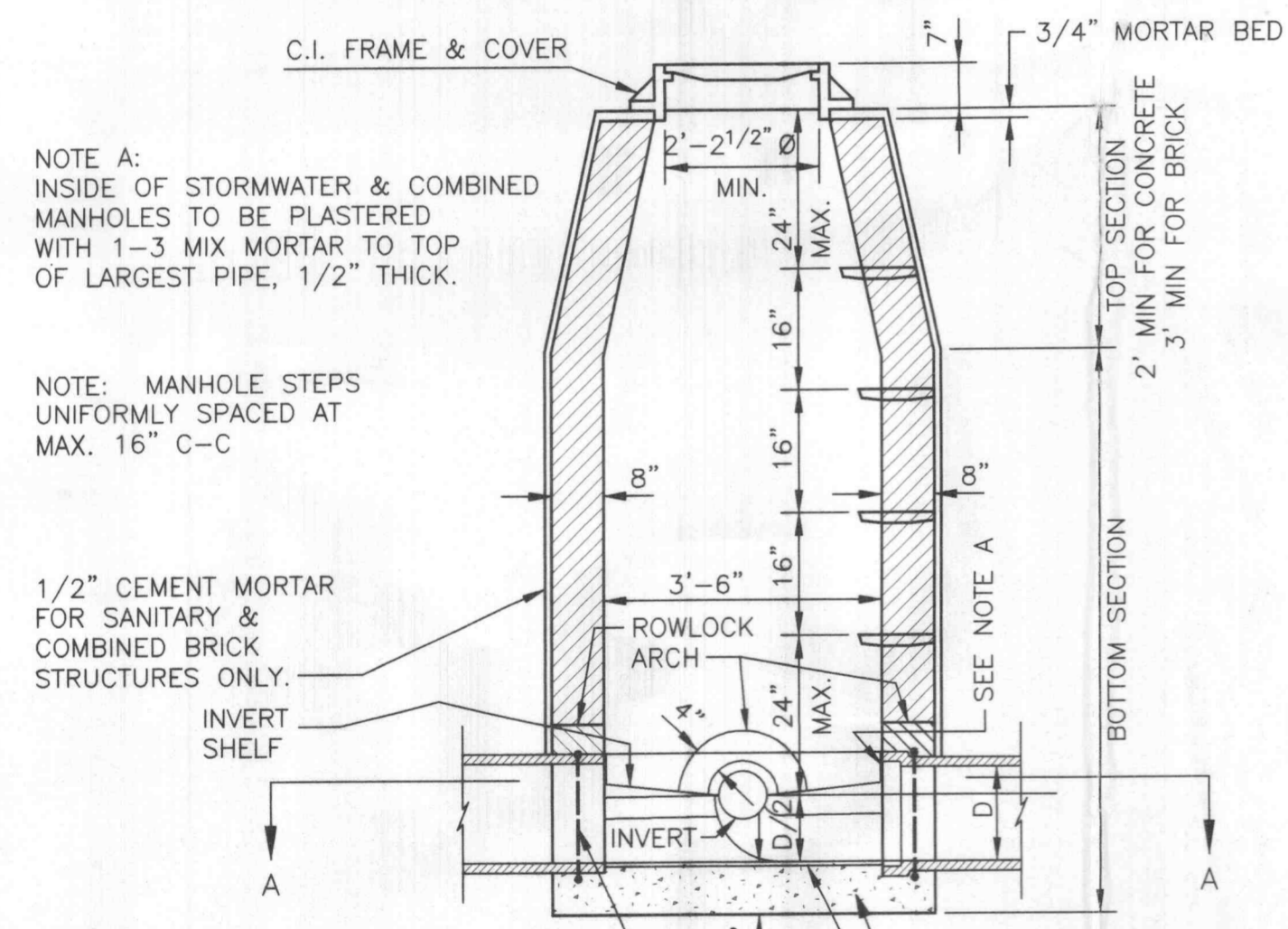
SEWER CLEANOUT (DUCKETT CREEK)
 NOT TO SCALE



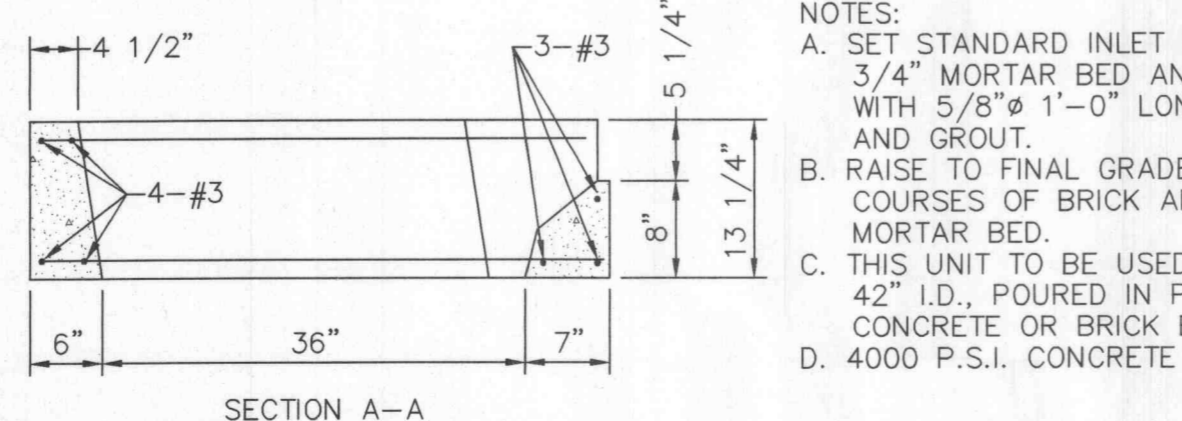
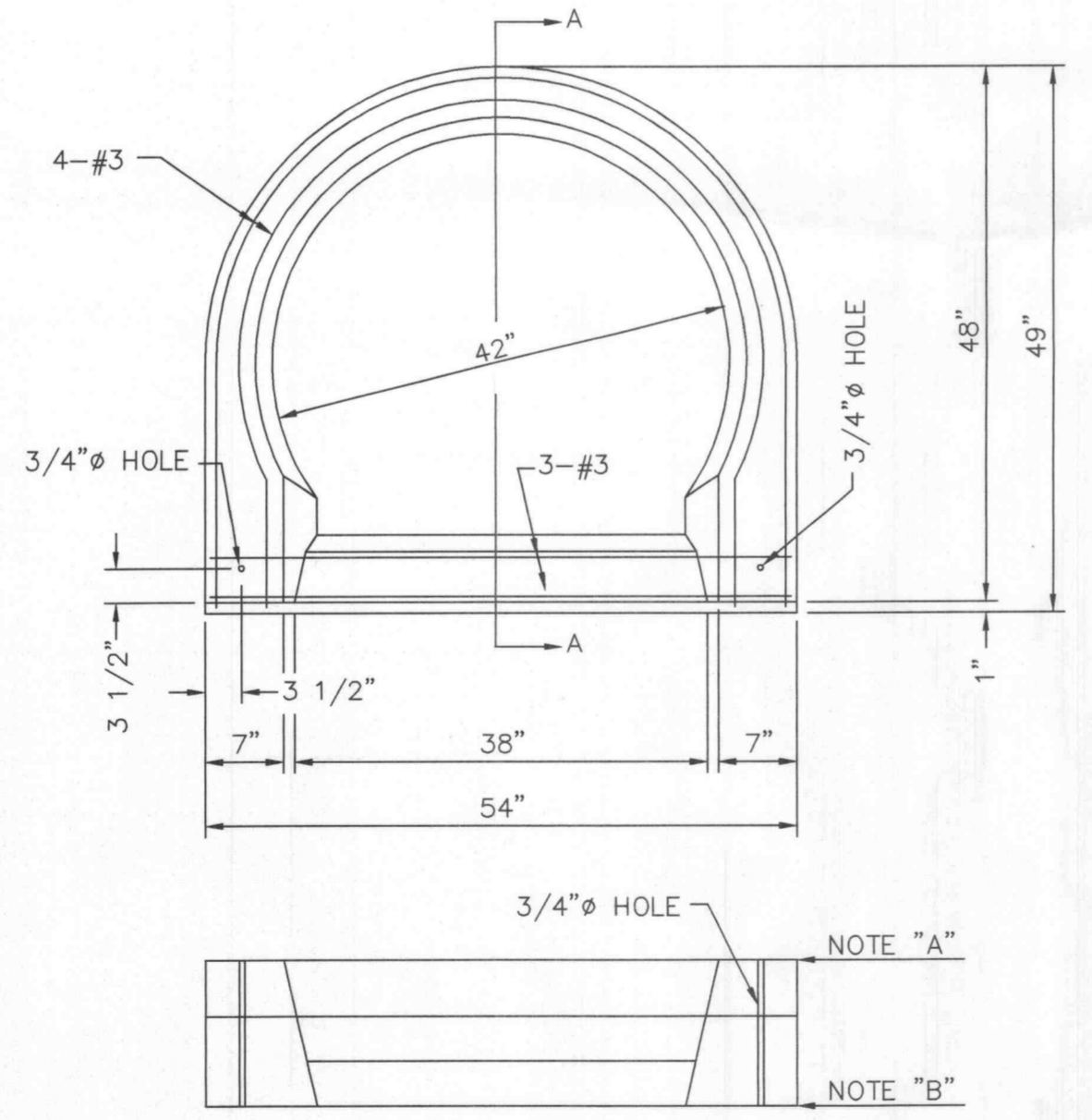
PIPE BEDDING CLASS "C"
(MODIFIED FOR REINFORCED
CONCRETE PIPE)



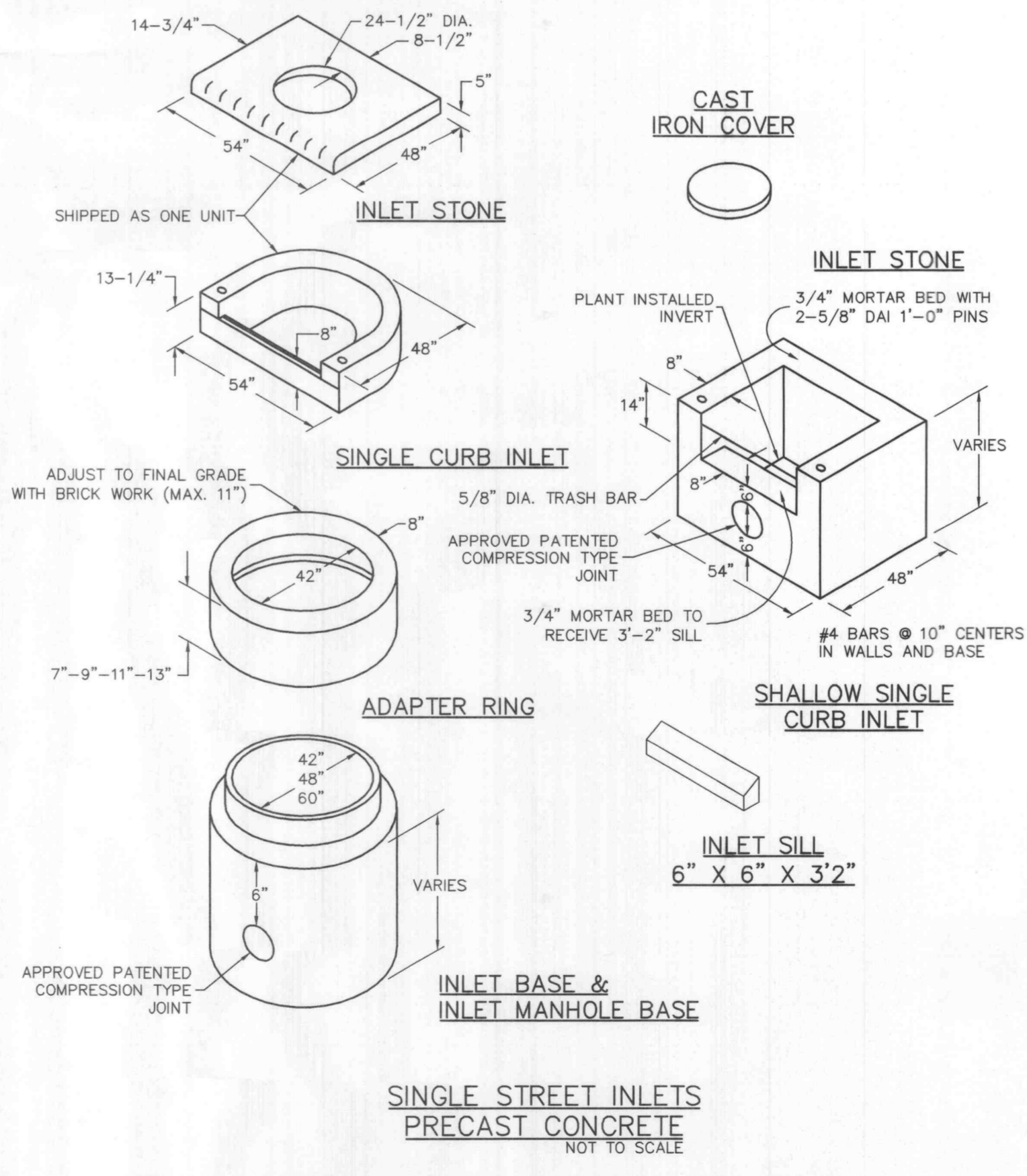
PIPE BEDDING CLASS "C"
(FOR ALL PIPE EXCEPT
REINFORCED CONCRETE PIPE)



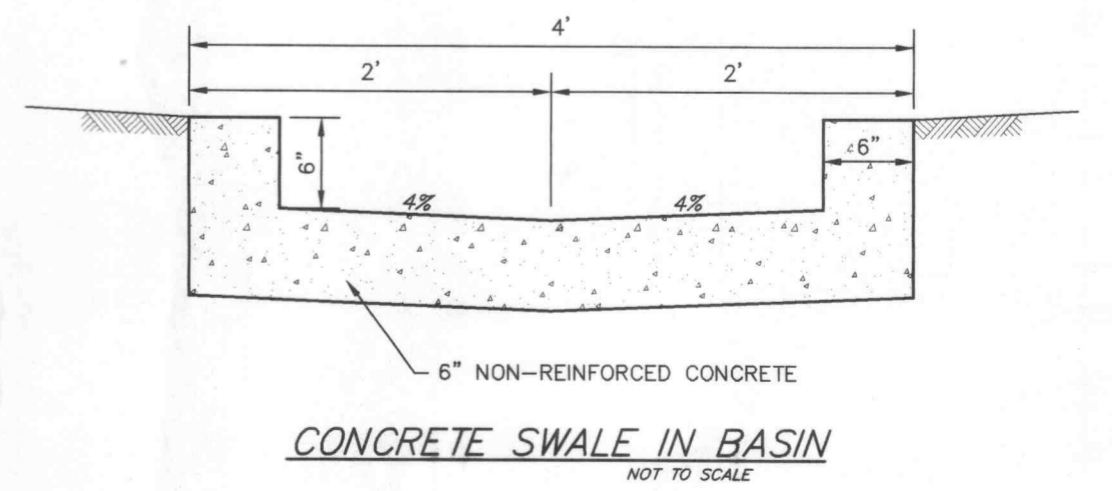
LINE MANHOLE
PIPE SEWERS 8"-24" DIA.



PRECAST CONCRETE UNIT
FOR
SINGLE CURB INLET



SINGLE STREET INLETS
PRECAST CONCRETE
 NOT TO SCALE



CONCRETE SWALE IN BASIN
 NOT TO SCALE