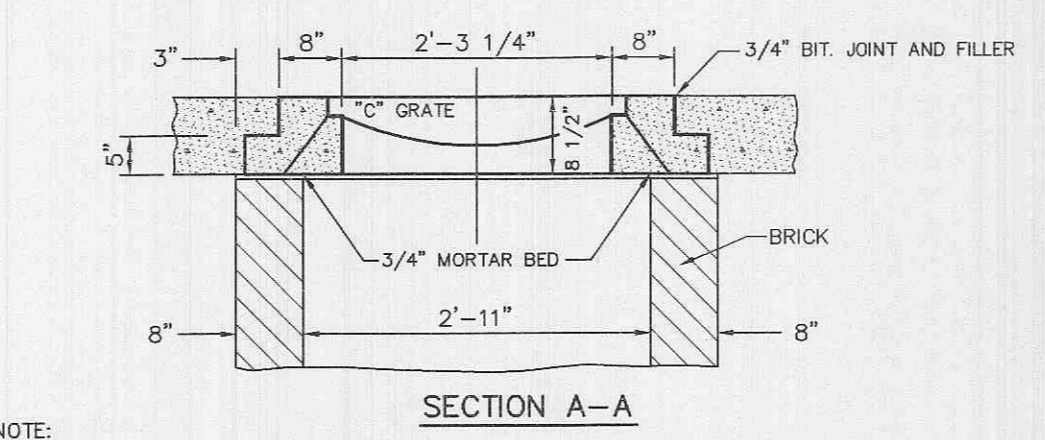
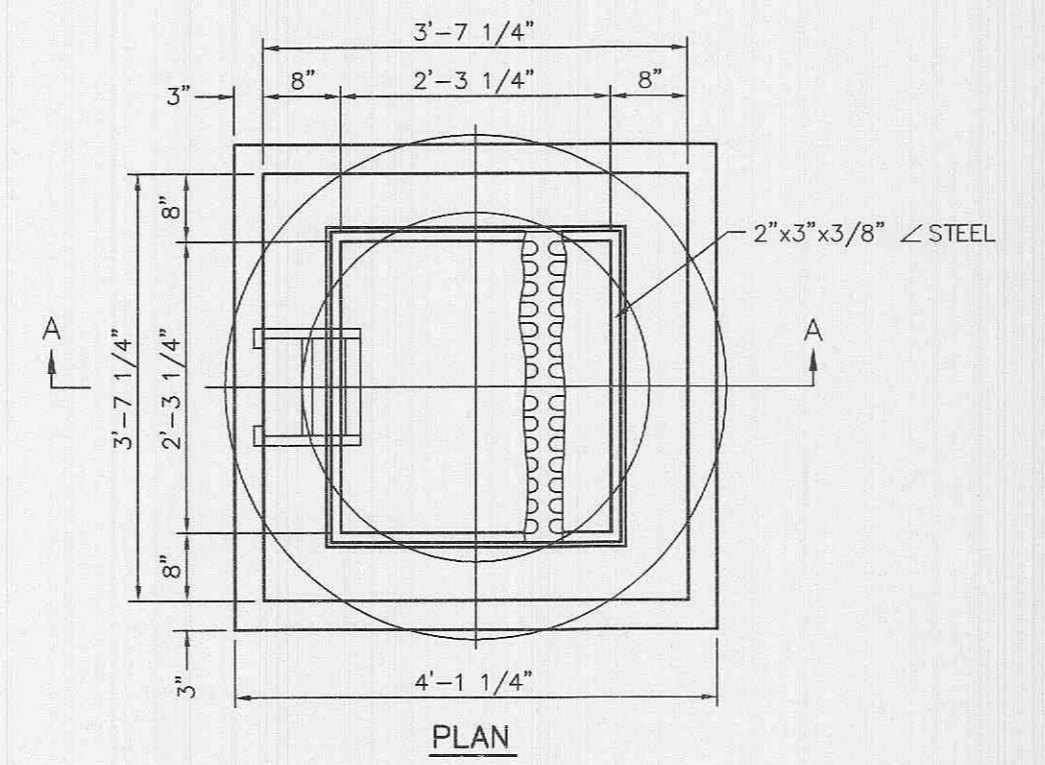


PRECAST CONCRETE UNIT FOR SINGLE CURB INLET



2 GRATE INLET

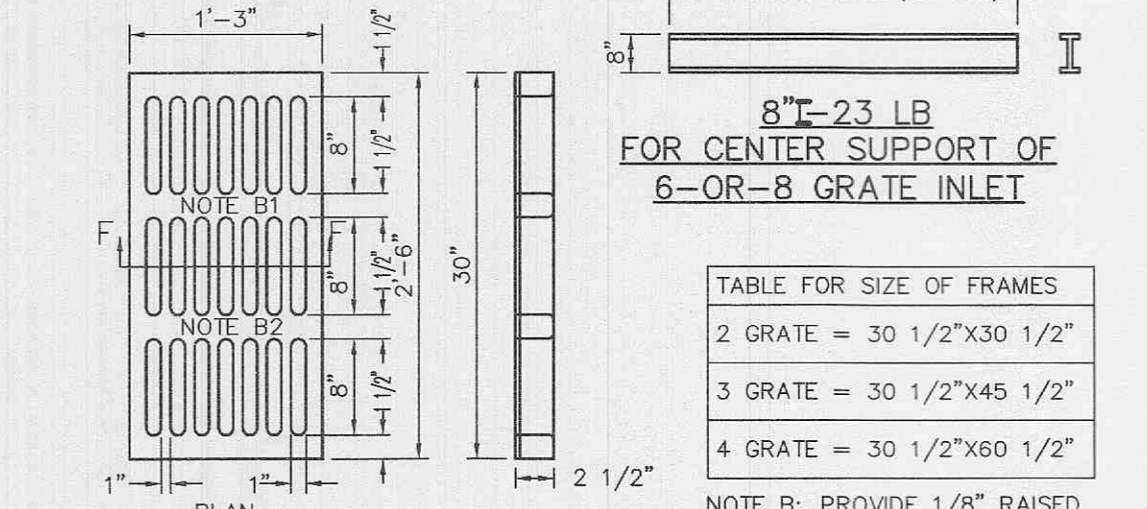
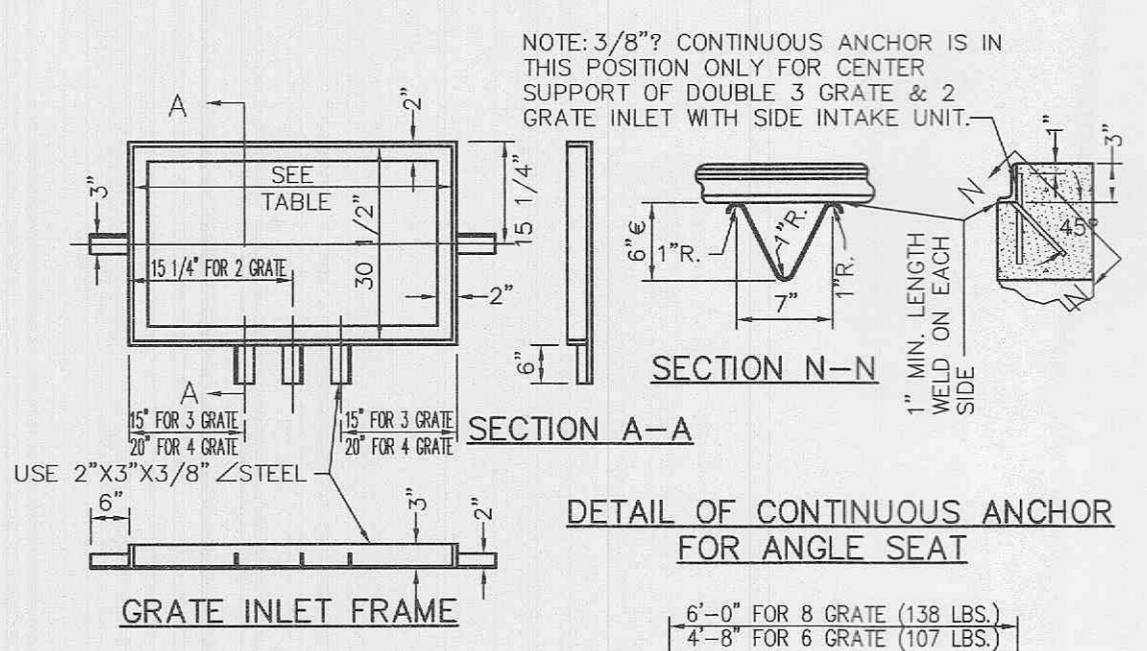
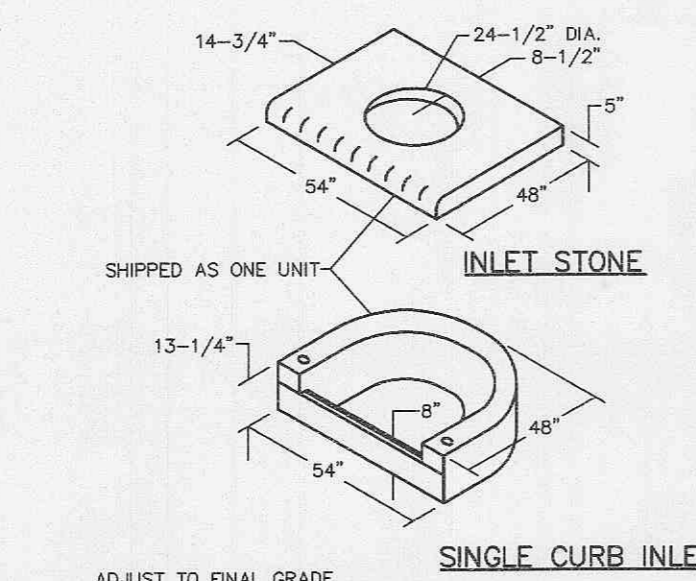
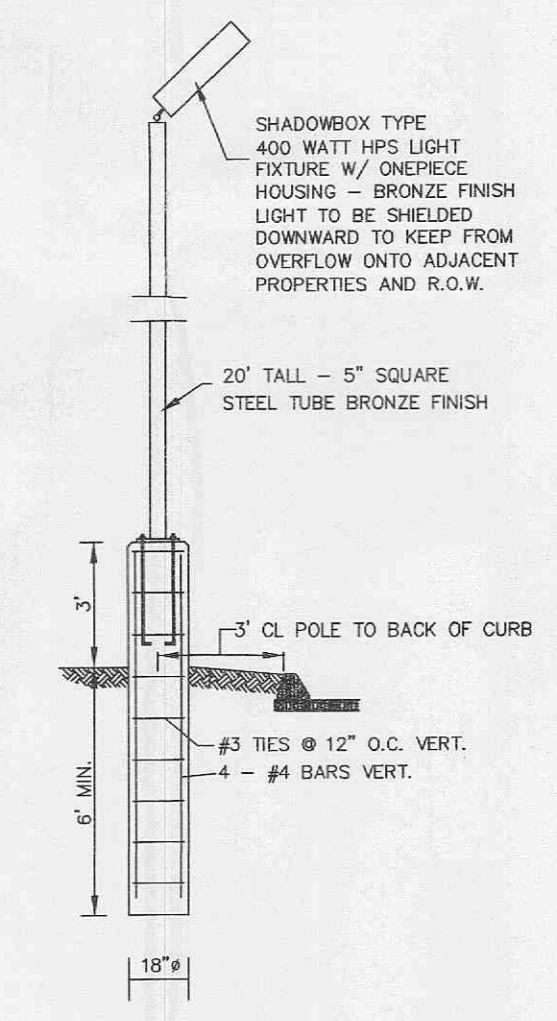
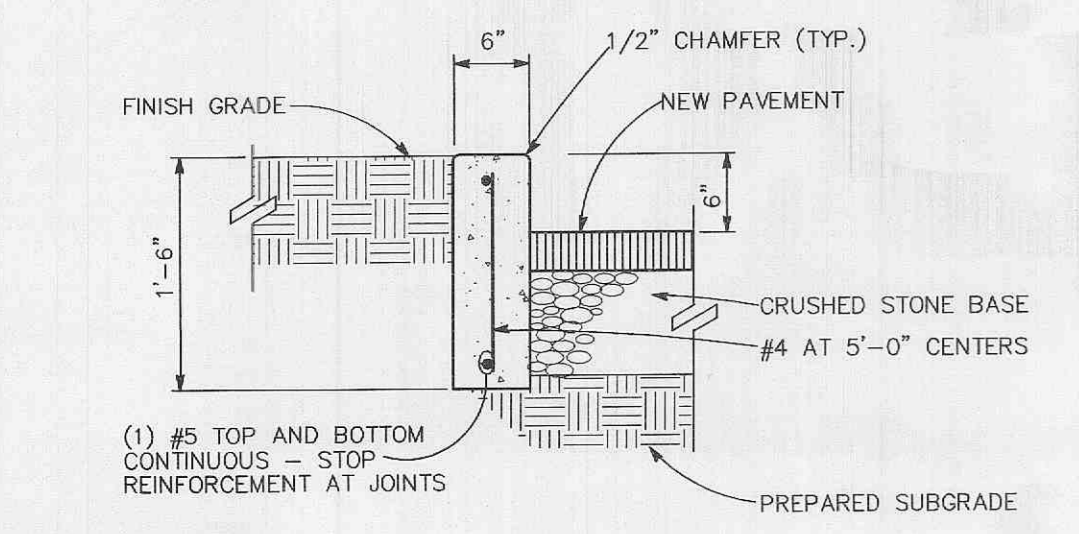


TABLE FOR SIZE OF FRAMES

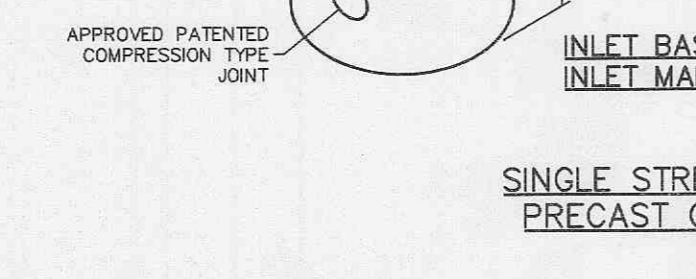
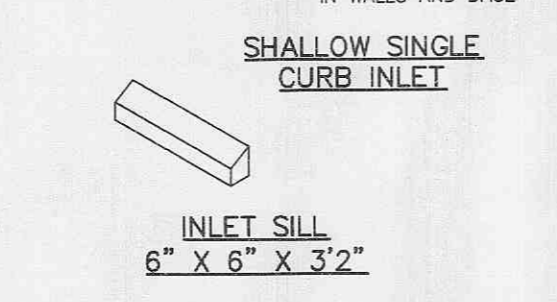
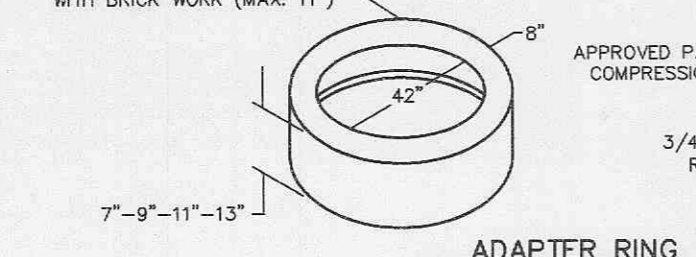
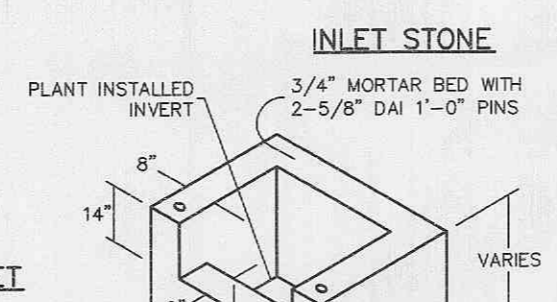
2 GRATE	= 30 1/2" X 30 1/2"
3 GRATE	= 30 1/2" X 45 1/2"
4 GRATE	= 30 1/2" X 60 1/2"

NOTE B: PROVIDE 1/8" RAISED LETTERING APPROX. 3/4" TO 1" HIGH.
 B1: METRO ST. LOUIS
 B2: SEWER DIST. SEWERS
CAST IRON GRATE
 (NF-R3297-1 OR EQUAL)

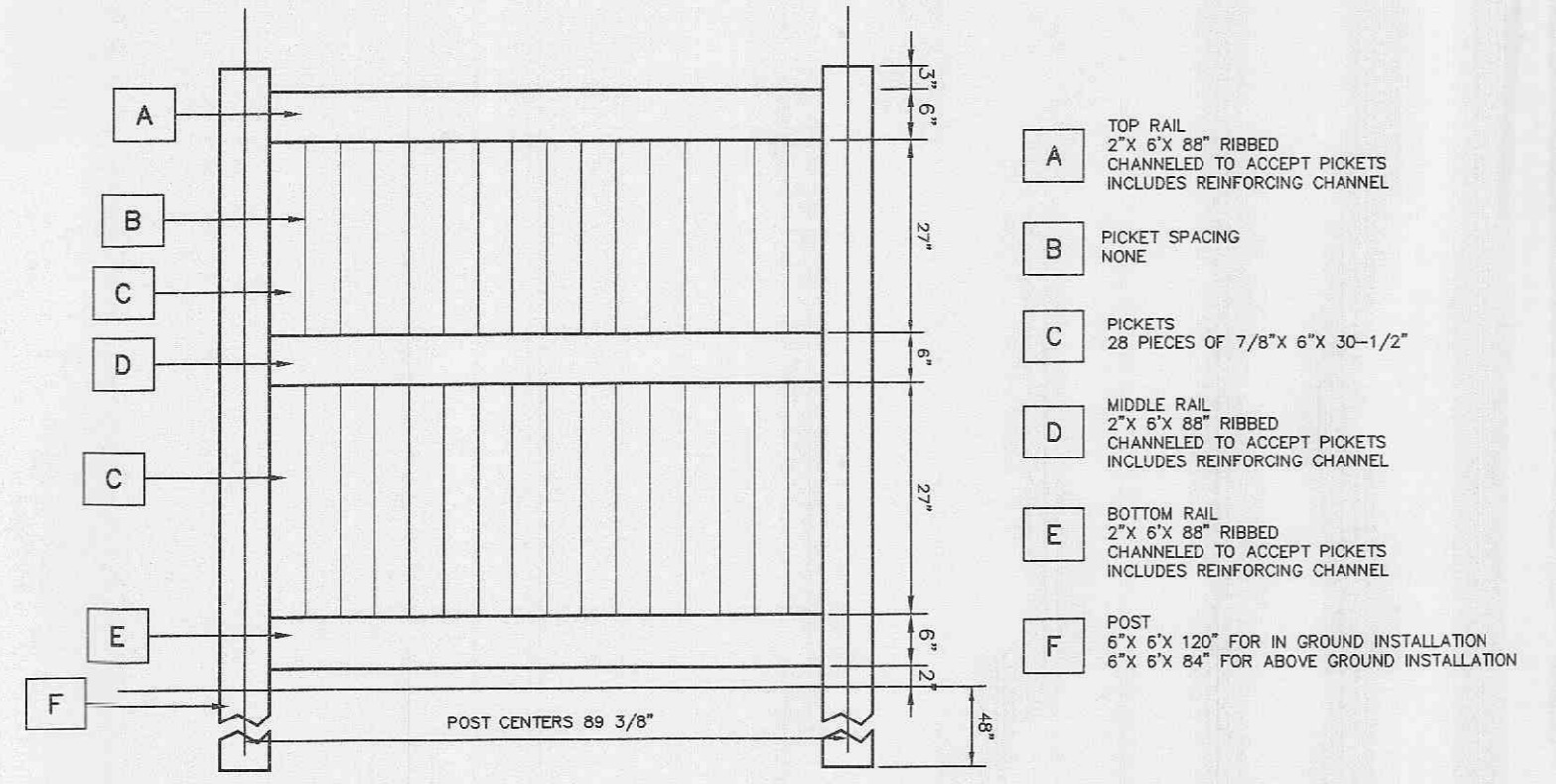
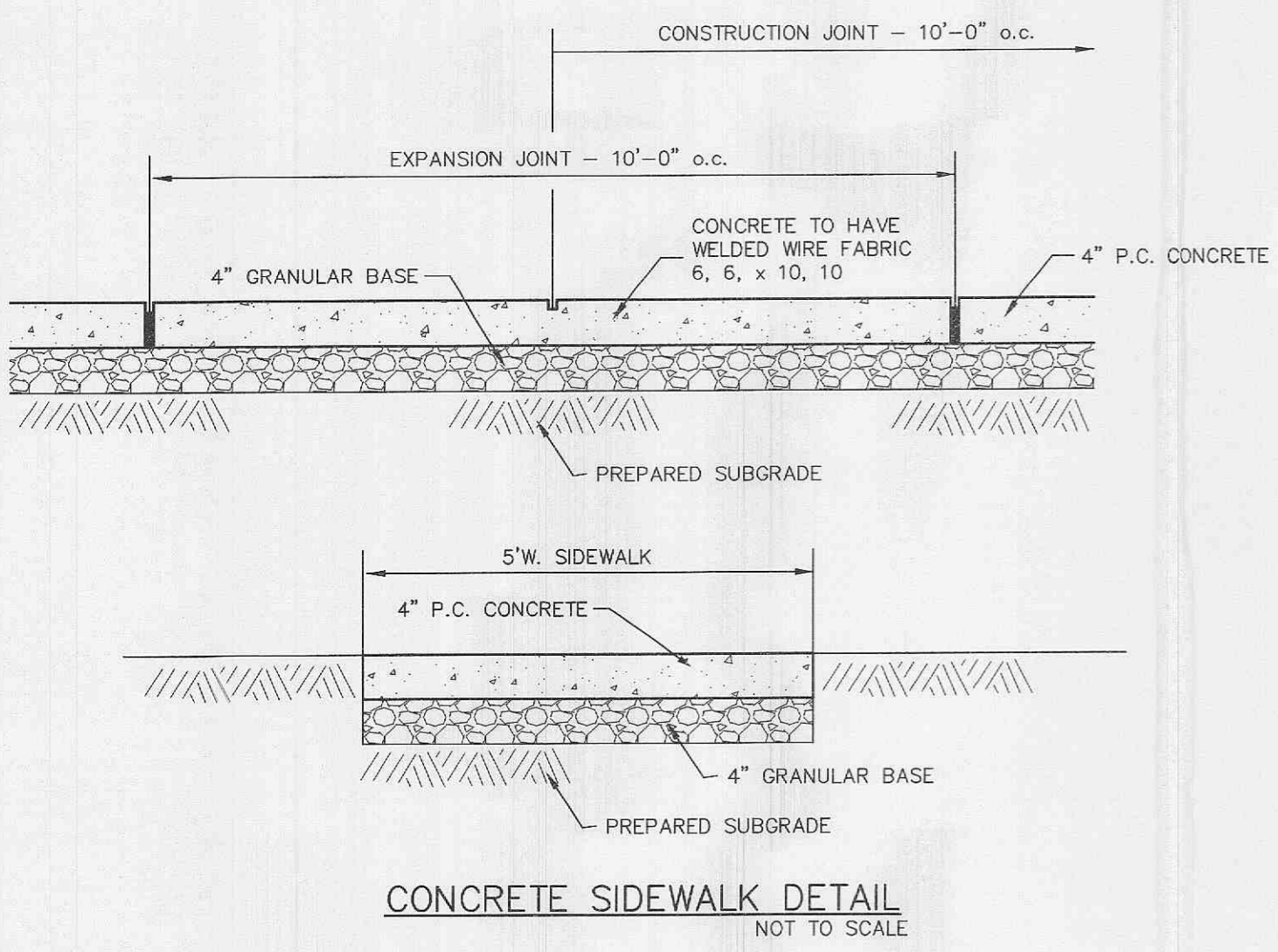
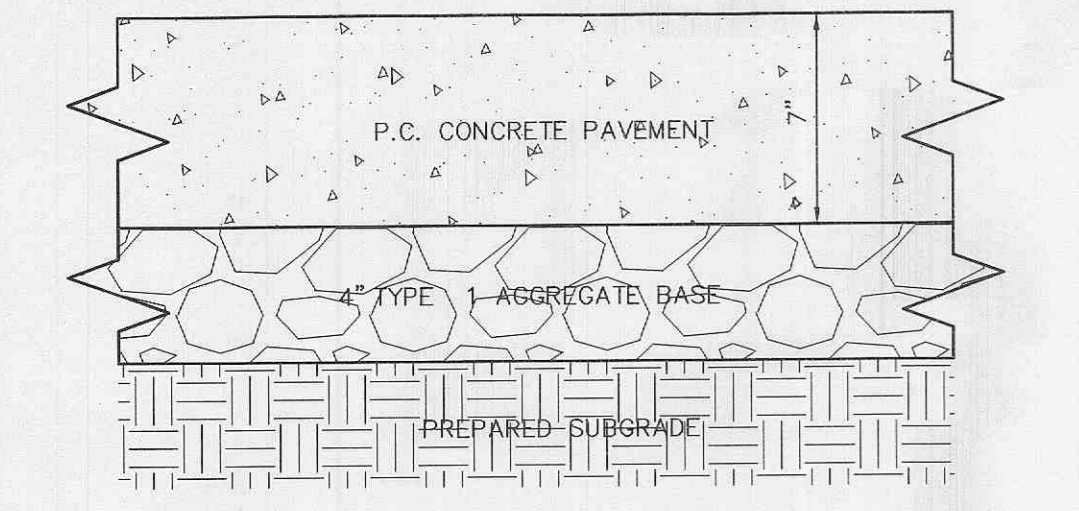
DETAILS OF INLET FRAME AND GRATES



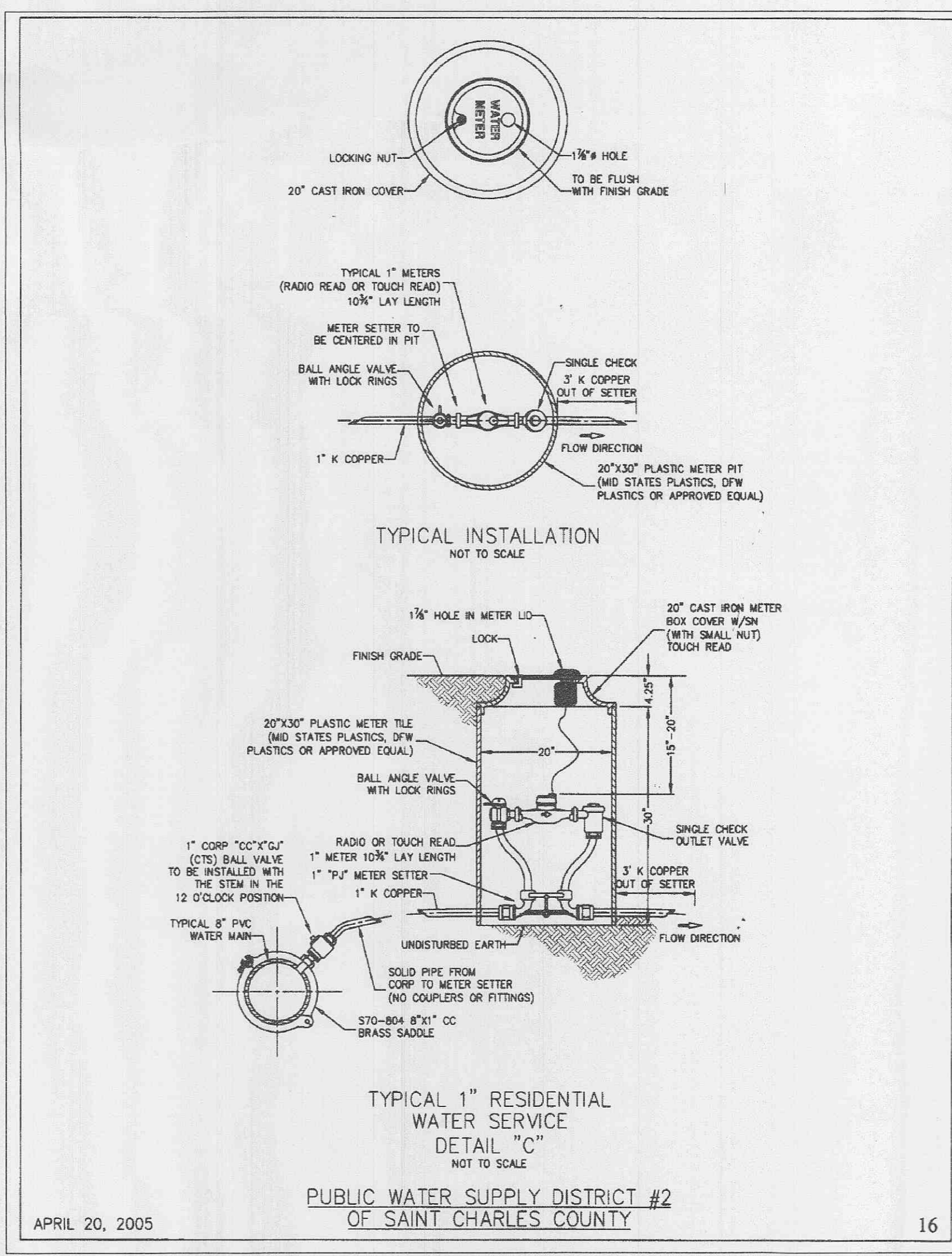
CONCRETE OR CAST IRON COVER



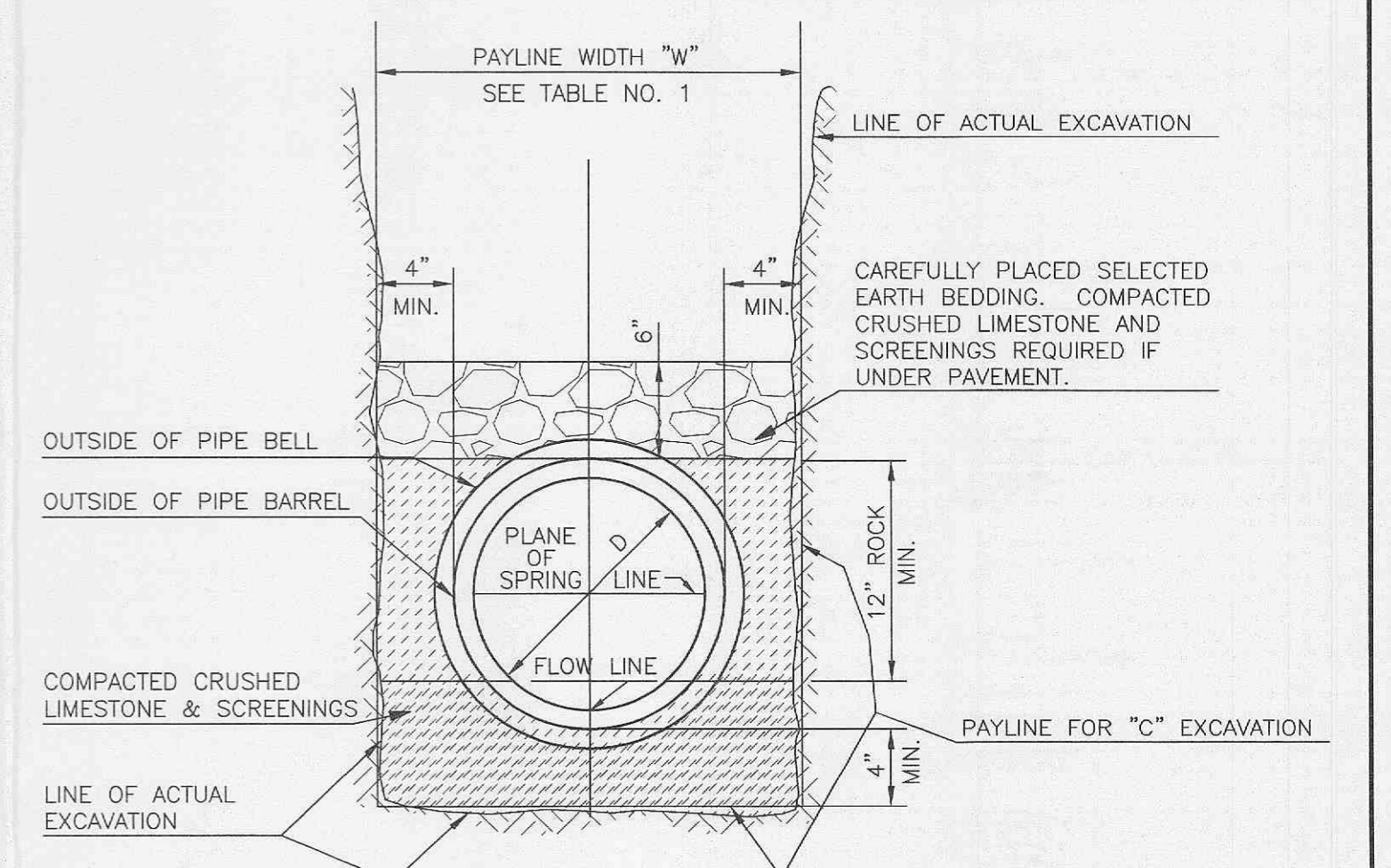
SINGLE STREET INLETS PRECAST CONCRETE



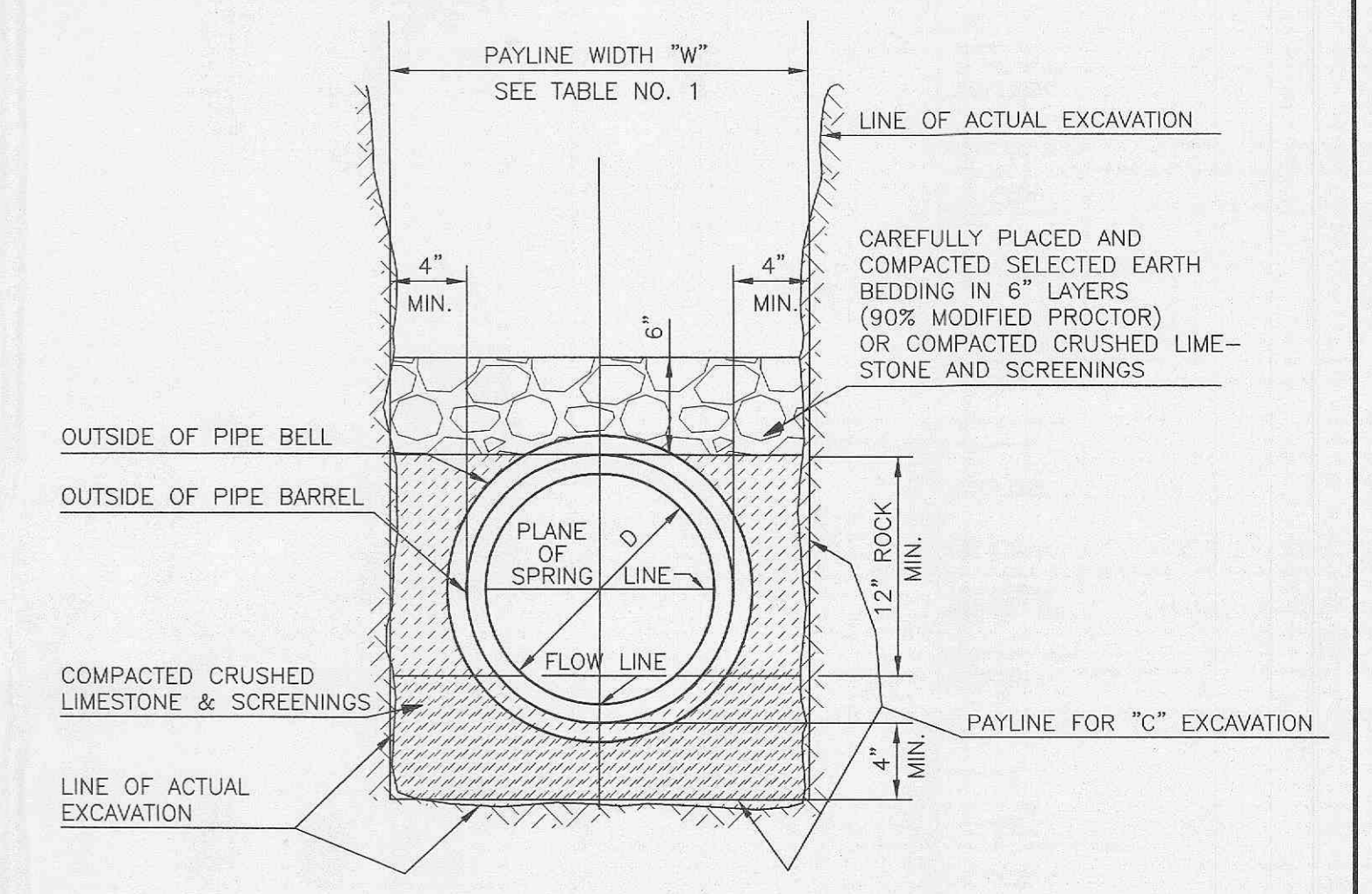
6' HIGH VINYL PRIVACY FENCE FOR AROUND MECHANICAL UNITS



TYPICAL 1\"/>



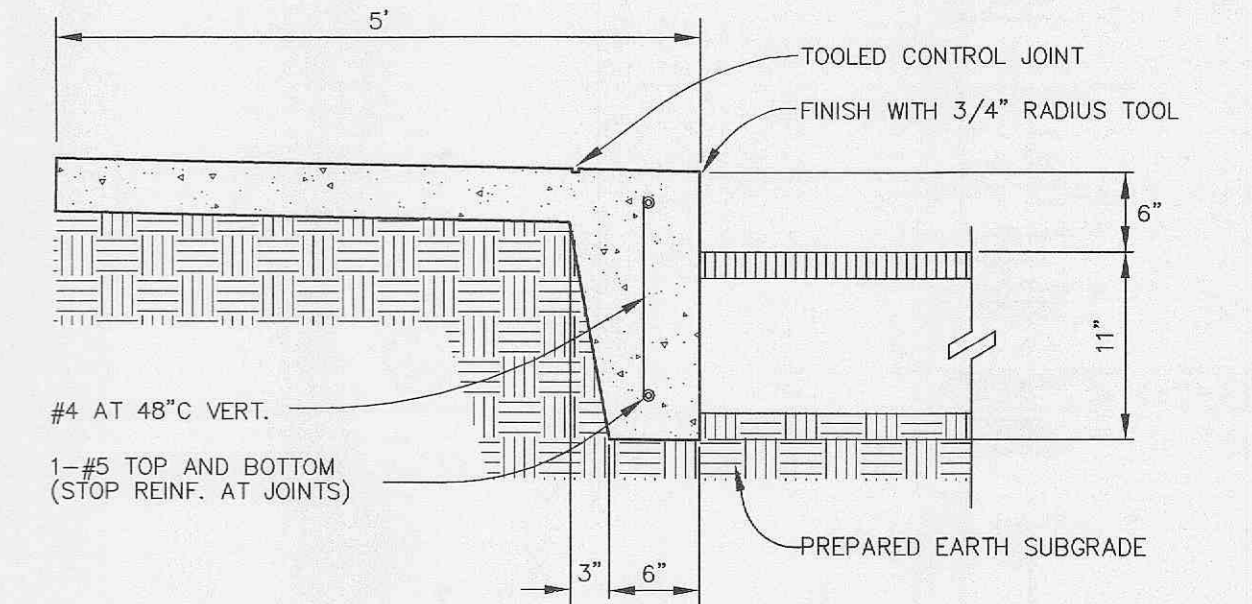
PIPE BEDDING CLASS "C" (MODIFIED FOR REINFORCED CONCRETE PIPE)



PIPE BEDDING CLASS "C" (FOR ALL PIPE EXCEPT REINFORCED CONCRETE PIPE)

ROUND PIPE				HORIZONTAL ELLIPTICAL PIPE			
Inside Diameter of Pipe (Inches)	"W" Payline Width of Trench (Inches)	"W" Payline Width of Trench (Feet)	Pay-volumes cu. ft. per ft. Concrete Encasement	Inside Diameter of Pipe (Inches)	"W" Payline Width of Trench (Inches)	"W" Payline Width of Trench (Feet)	Pay-volumes cu. ft. per ft. Concrete Encasement
4	28	2.33	3.20				
6	28	2.33	3.46				
8	28	2.33	3.70				
10	28	2.33	3.86				
12	28	2.33	3.98				
15	32	2.67	4.89				

**TABLE NO. 1
 PAYLINE WIDTHS OF TRENCH AND
 PAY-QUANTITIES OF CONCRETE**



PROVIDE 1/2" PREWOLDED EXPANSION JOINT FILLER AT 60" CENTERS
 PROVIDE TOOLED CONTRACTION JOINTS AT 10' C.C.

TURNED DOWN CONCRETE WALK

P&Z #2001.13, APPROVED 9/20/07

E:\DWG\11000PLUS\11282R-PERUQUE CROSSING LOT 2\CONSTRUCTION\11282RCON.DWG, DETAILS-5, 5/29/2008 2:12:16 PM, Sta 72 MAT