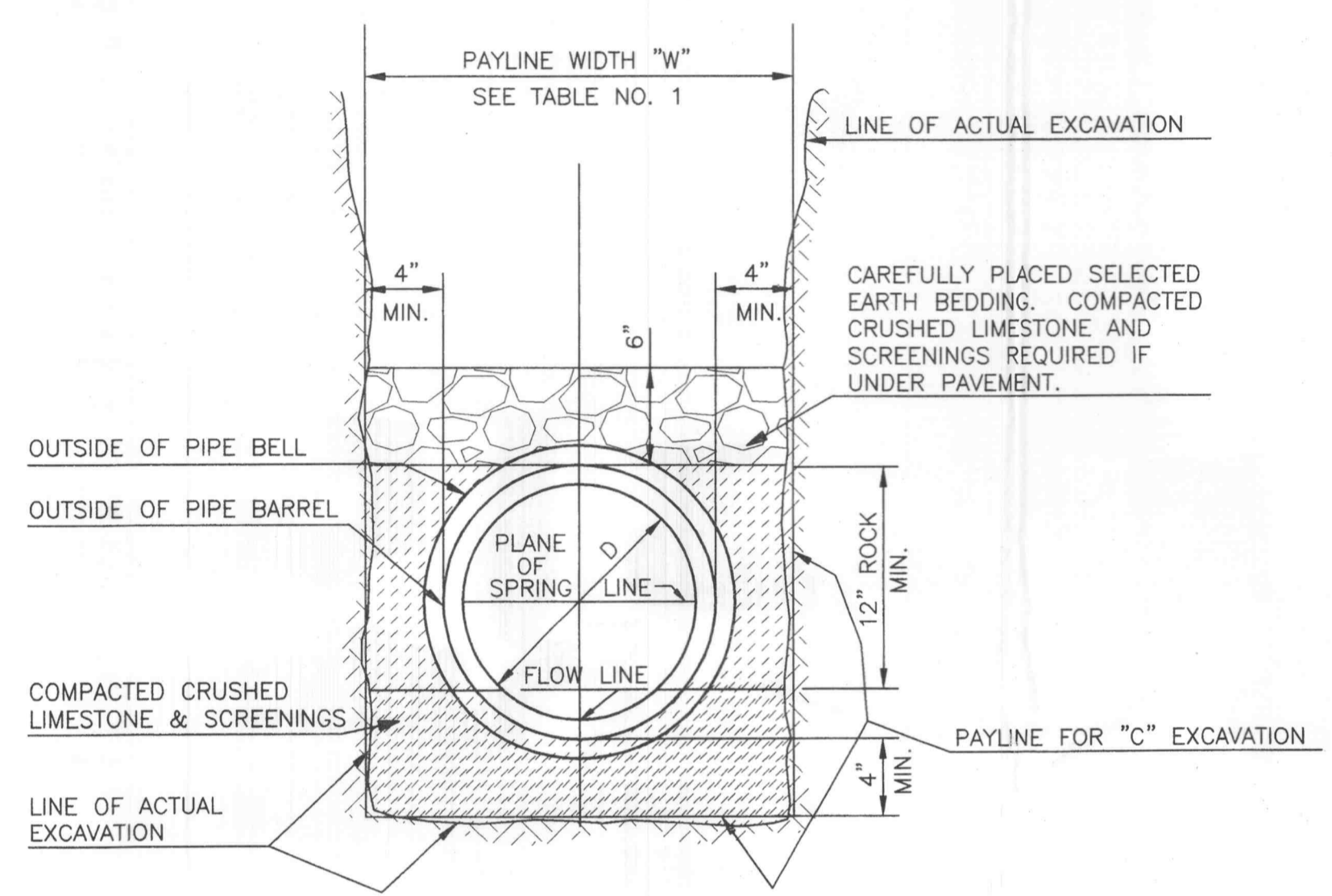
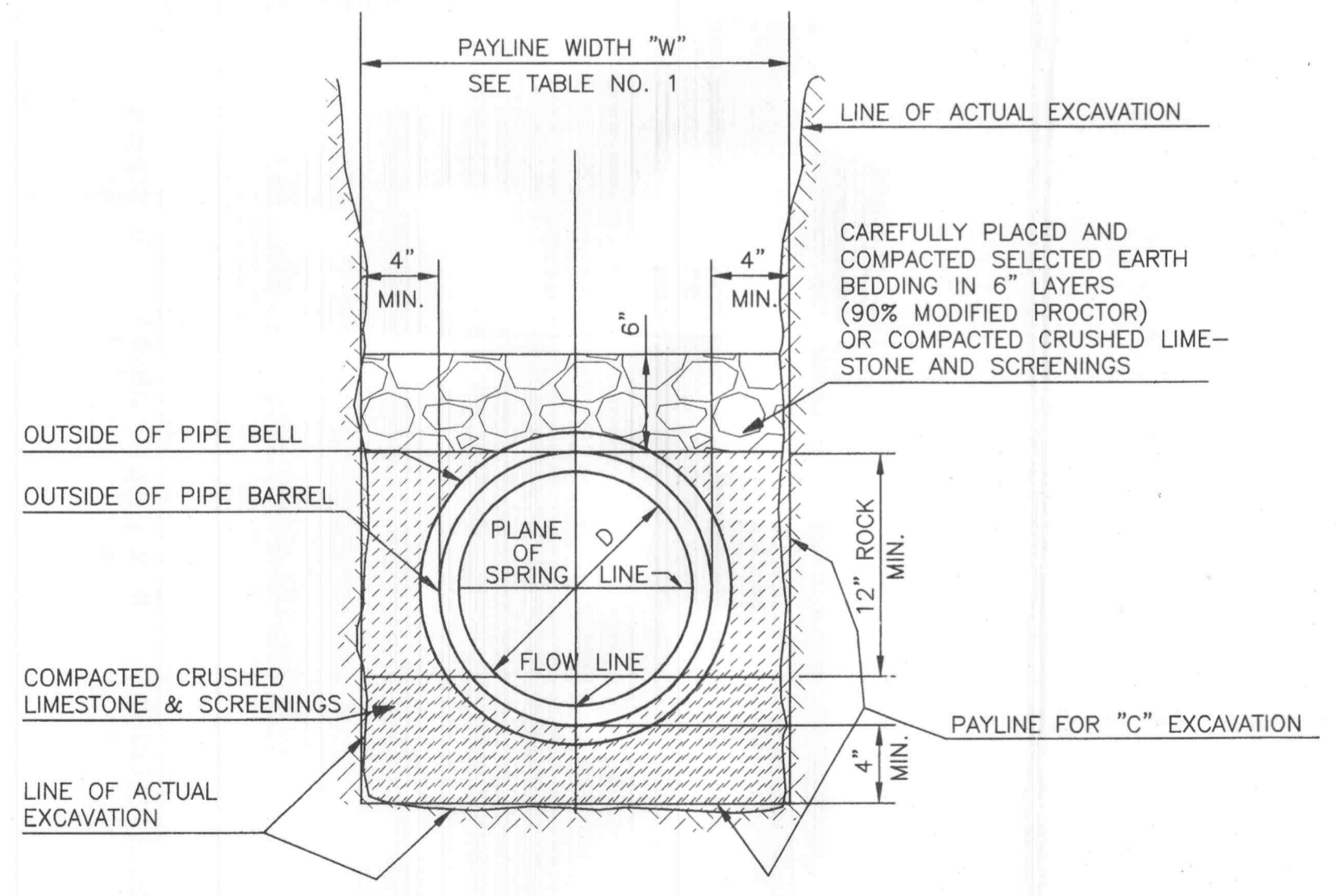


ROUND PIPE				HORIZONTAL ELLIPTICAL PIPE			
Inside Diameter of Pipe (Inches)	"W" Payline Width of Trench (Inches)	"W" Payline Width of Trench (Feet)	Pay-volumes cu. ft. per ft. Concrete Encasement	Inside Diameter of Pipe (Inches)	"W" Payline Width of Trench (Inches)	"W" Payline Width of Trench (Feet)	Pay-volumes cu. ft. per ft. Concrete Encasement
4	28	2.33	3.20				
6	28	2.33	3.46				
8	28	2.33	3.70				
10	28	2.33	3.86				
12	28	2.33	3.98				
15	32	2.67	4.89				

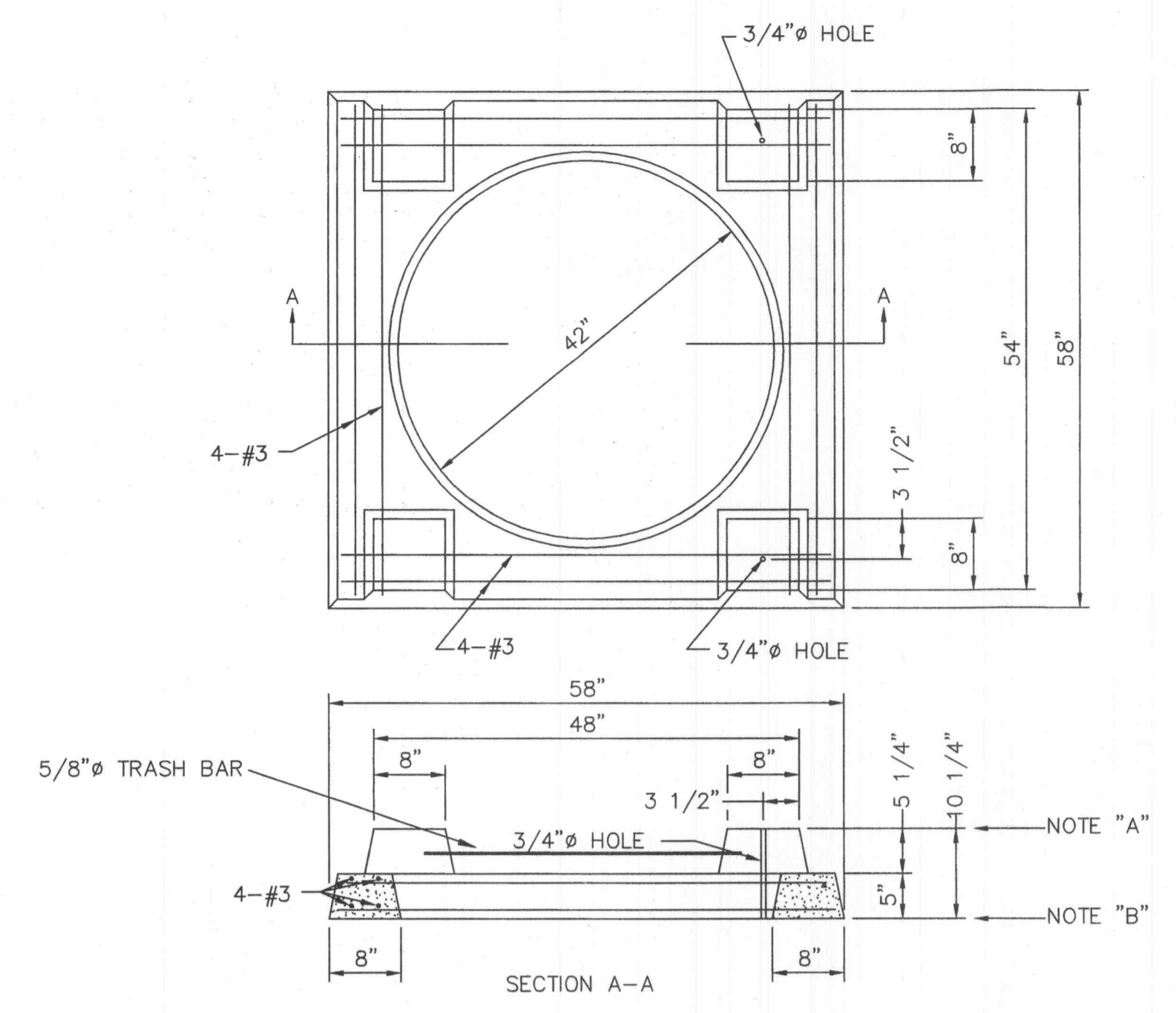
TABLE NO. 1
PAYLINE WIDTHS OF TRENCH AND
PAY-QUANTITIES OF CONCRETE



PIPE BEDDING CLASS "C"
(MODIFIED FOR REINFORCED
CONCRETE PIPE)



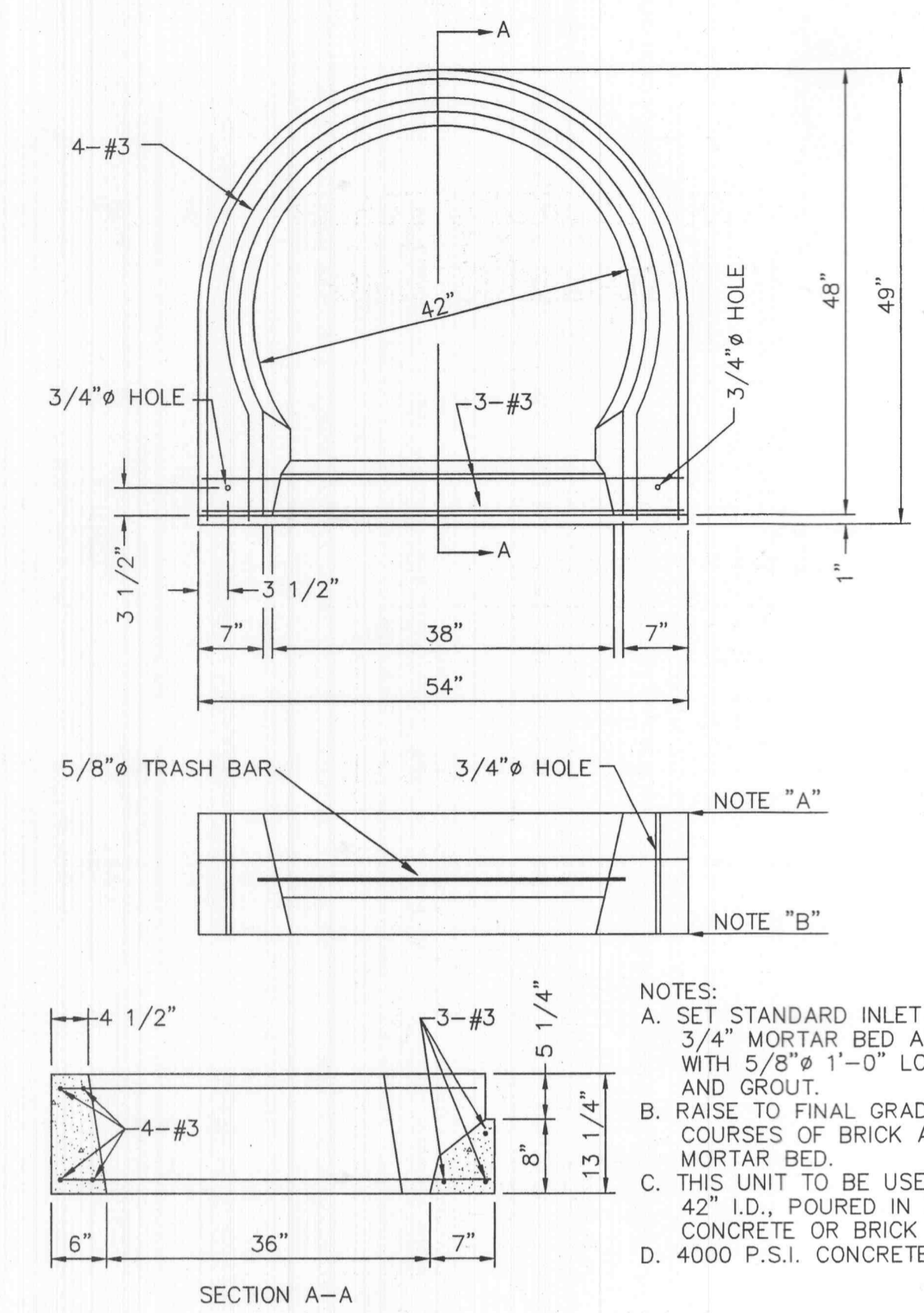
PIPE BEDDING CLASS "C"
(FOR ALL PIPE EXCEPT
REINFORCED CONCRETE PIPE)



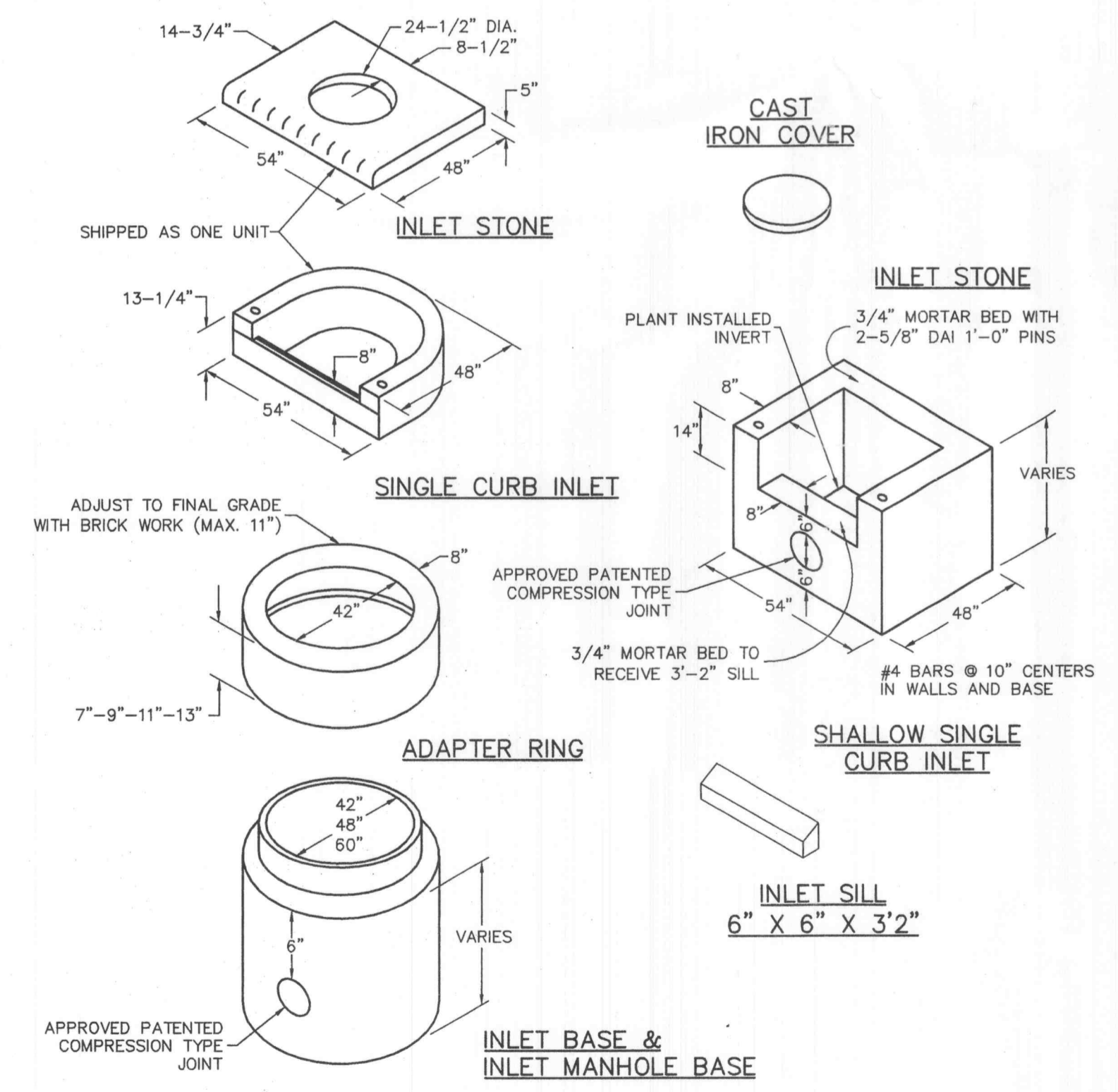
4000 P.S.I.
CONCRETE REQUIRED

- NOTES:
A. SET STANDARD INLET STONE IN 3/4" MORTAR BED AND DOWEL WITH 5/8" Ø 1'-0" LONG PINS AND GROUT.
B. RAISE TO FINAL GRADE WITH COURSES OF BRICK AND SET THE UNIT TO BASE WITH 3/4" MORTAR BED.
C. THIS UNIT TO BE USED WITH 42" I.D., POURED IN PLACE CONCRETE OR BRICK BASE.

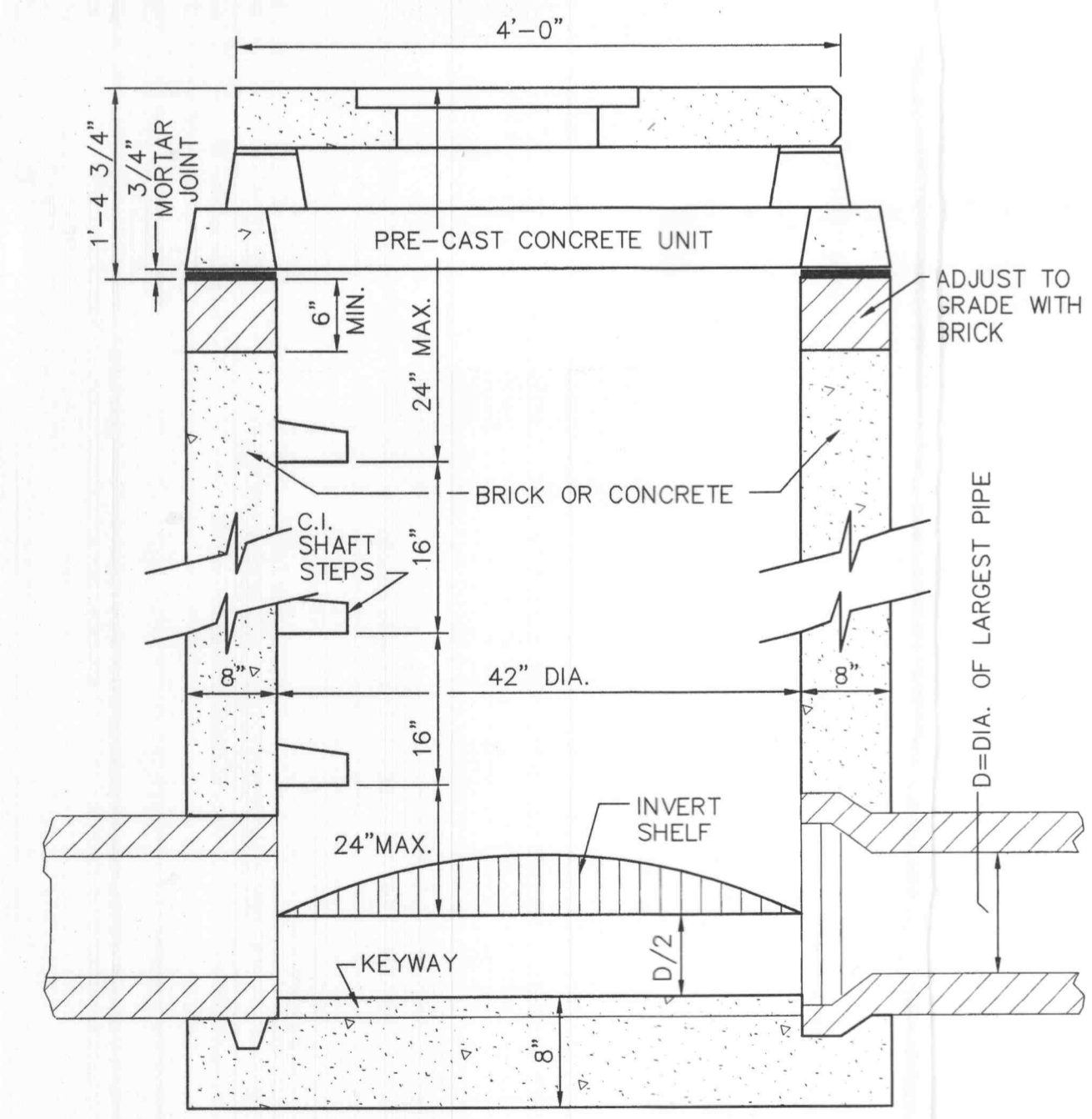
PRECAST CONCRETE UNIT
FOR
4-WAY AREA INLET



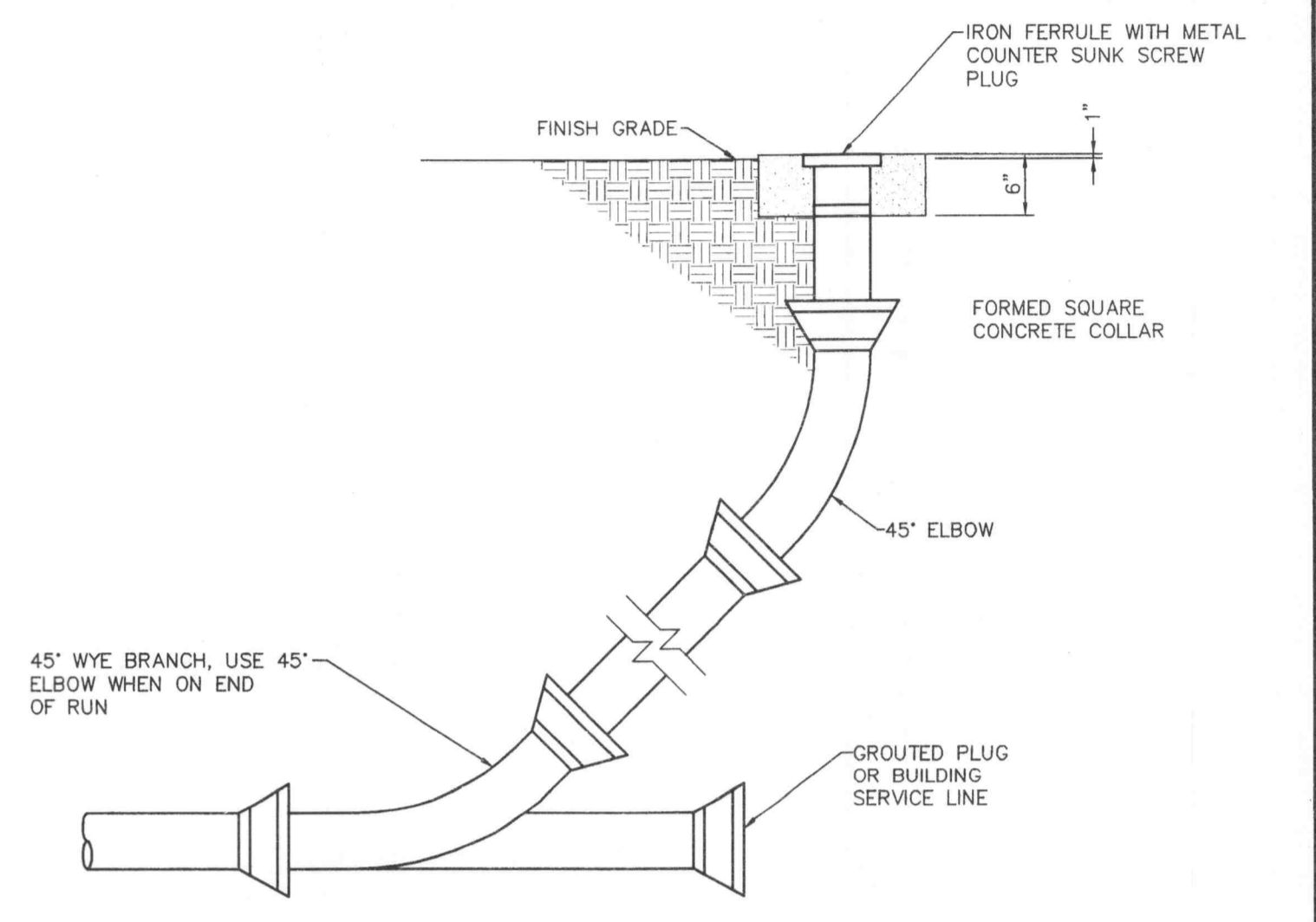
PRECAST CONCRETE UNIT
FOR
SINGLE CURB INLET



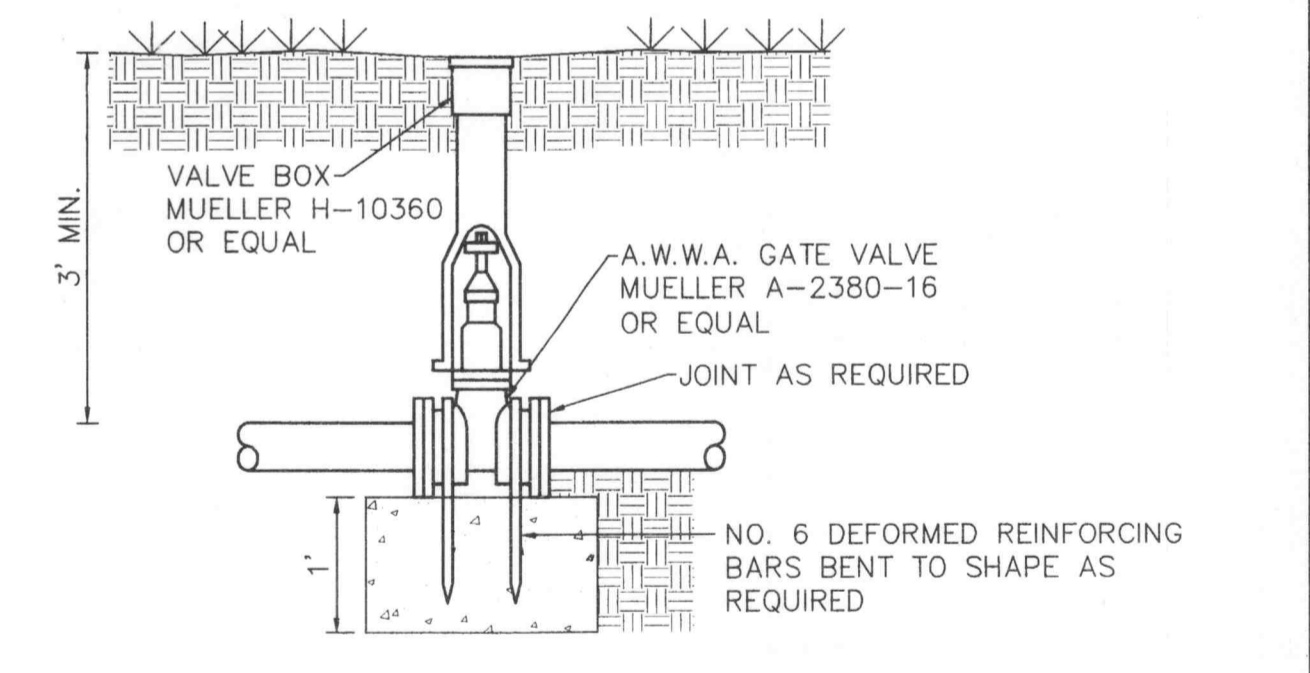
SINGLE STREET INLETS
PRECAST CONCRETE
NOT TO SCALE



AREA INLET
(12" THRU 24")



SEWER CLEANOUT
NOT TO SCALE



GATE VALVE W/THRUST BLOCK
NOT TO SCALE