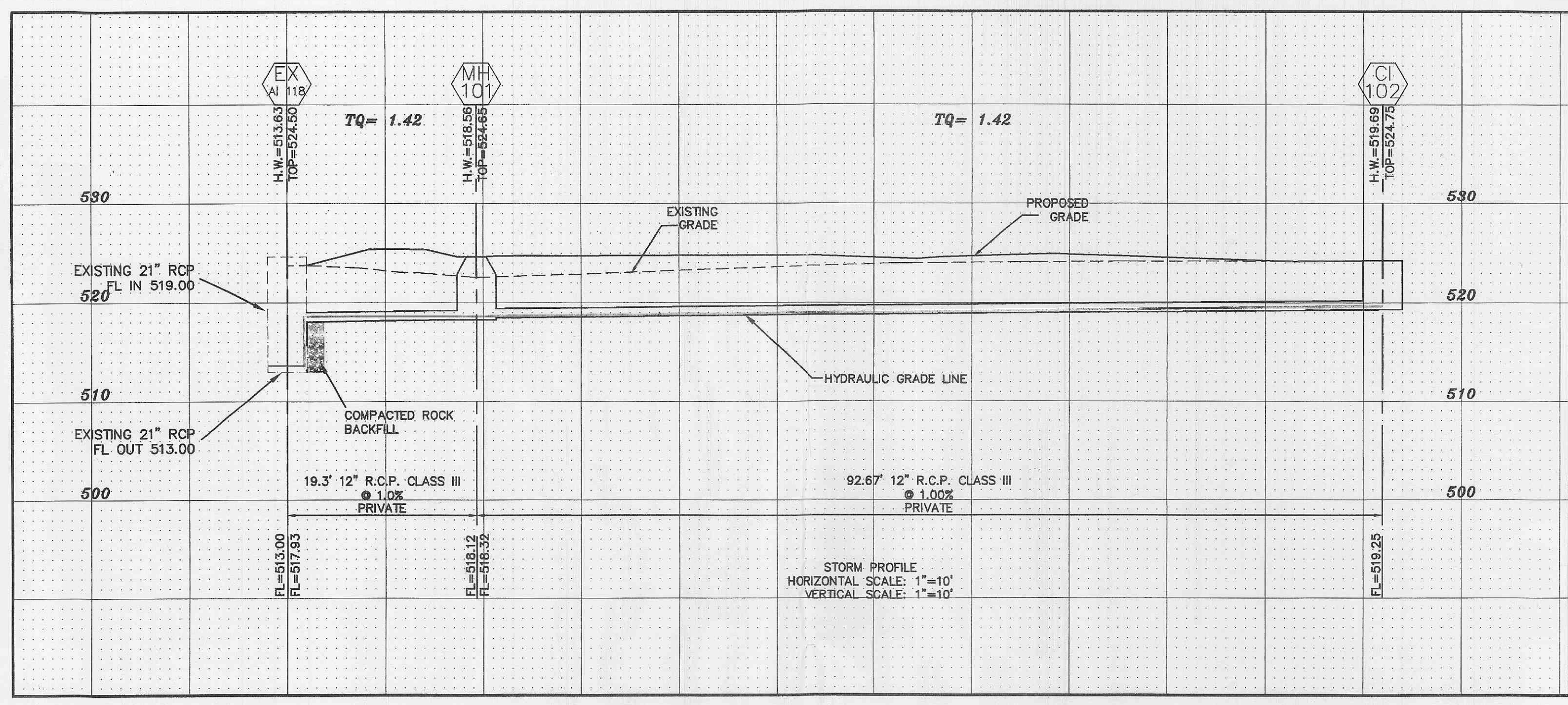


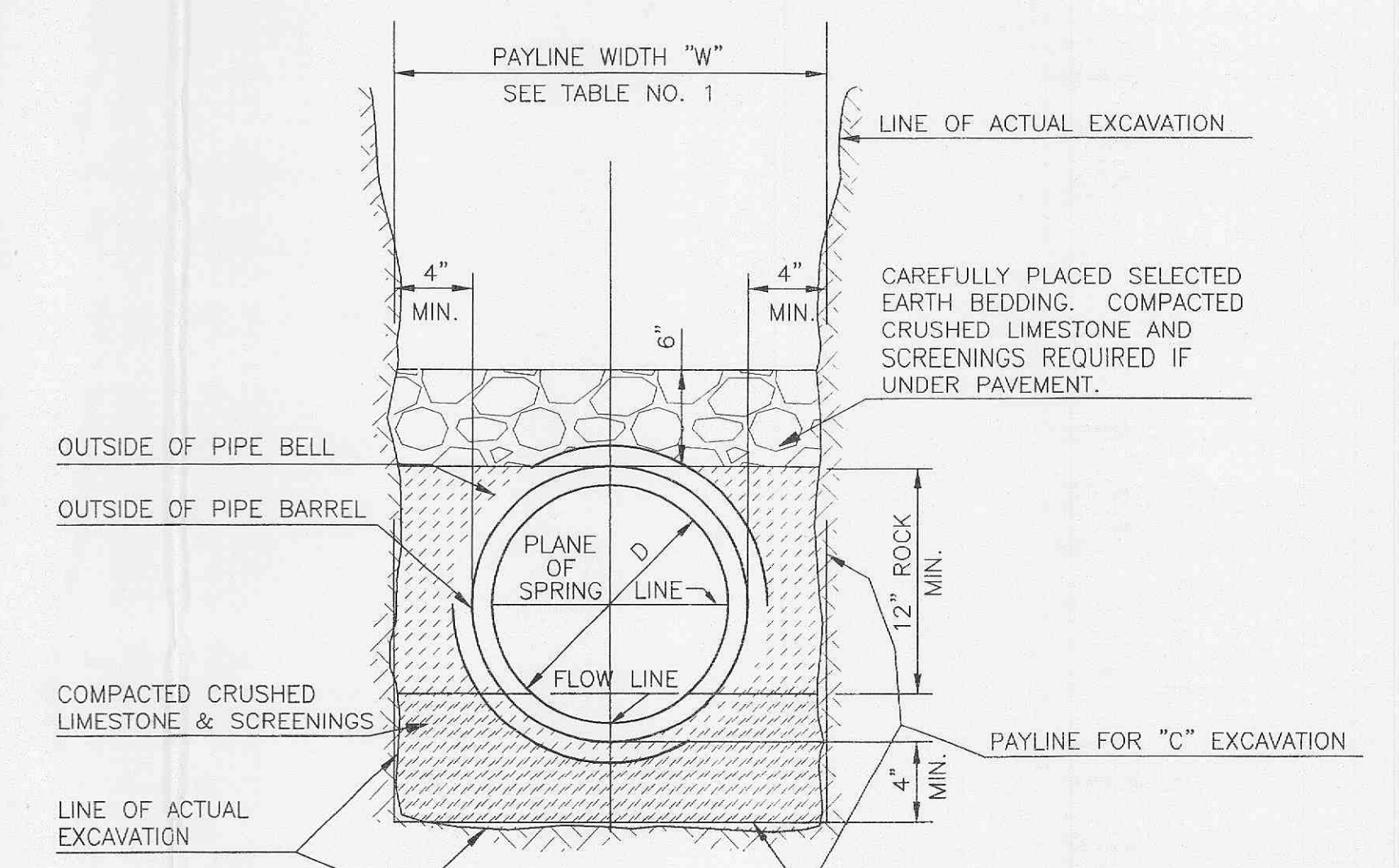
ROUND PIPE				HORIZONTAL ELLIPTICAL PIPE			
Inside Diameter of Pipe (Inches)	"W" Payline Width of Trench (Inches)	"W" Payline Width of Trench (Feet)	Pay-volumes cu. ft. per ft. Concrete Encasement	Inside Diameter of Pipe (Inches)	"W" Payline Width of Trench (Inches)	"W" Payline Width of Trench (Feet)	Pay-volumes cu. ft. per ft. Concrete Encasement
4	28	2.33	3.20				
6	28	2.33	3.46				
8	28	2.33	3.70				
10	28	2.33	3.86				
12	28	2.33	3.98				
15	32	2.67	4.89				

TABLE NO. 1
 PAYLINE WIDTHS OF TRENCH AND
 PAY-QUANTITIES OF CONCRETE

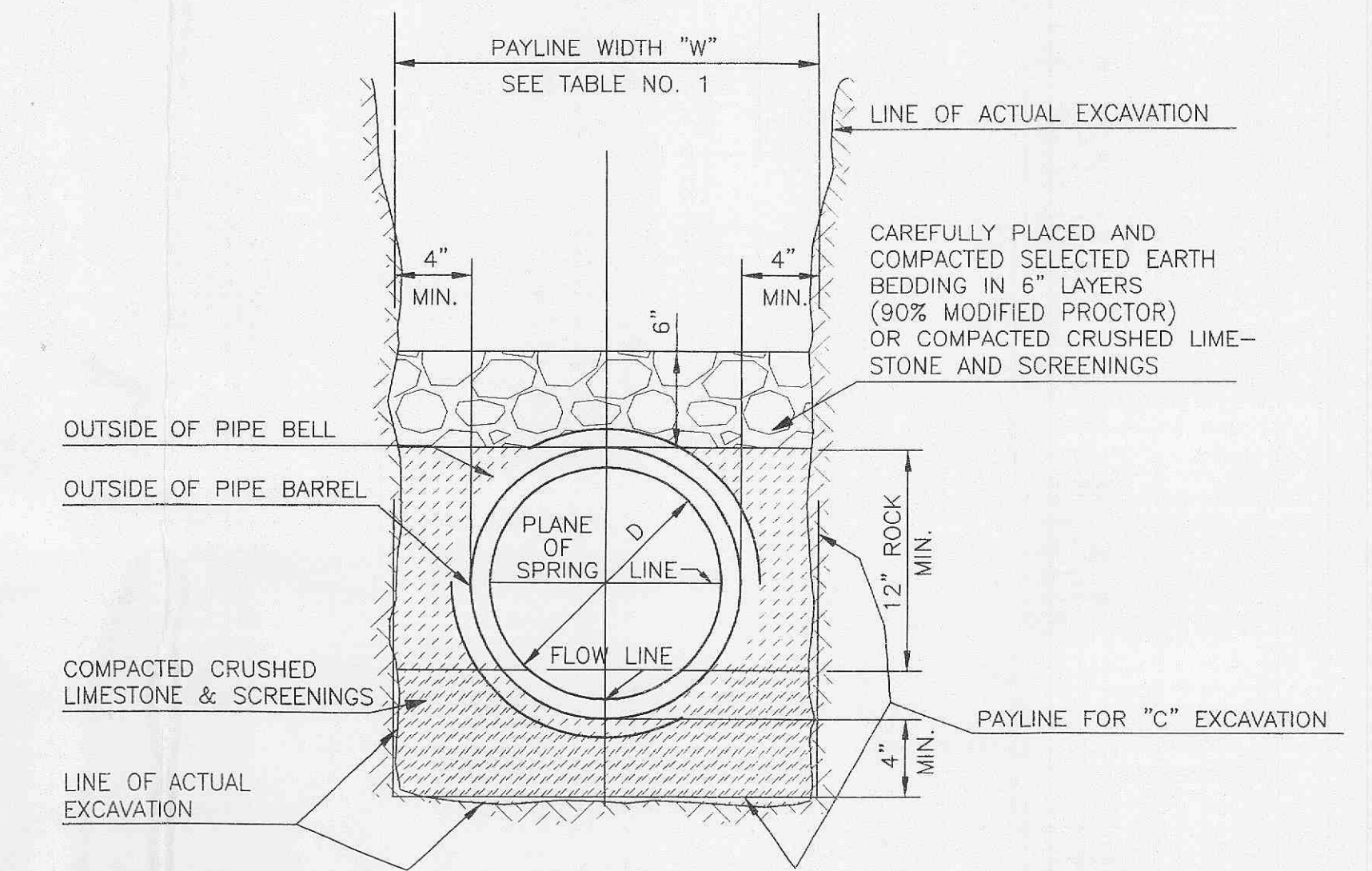


DATE	BY	DESCRIPTION
5-3-04	SWA	DESIGN
5-3-04	SWA	REVISION

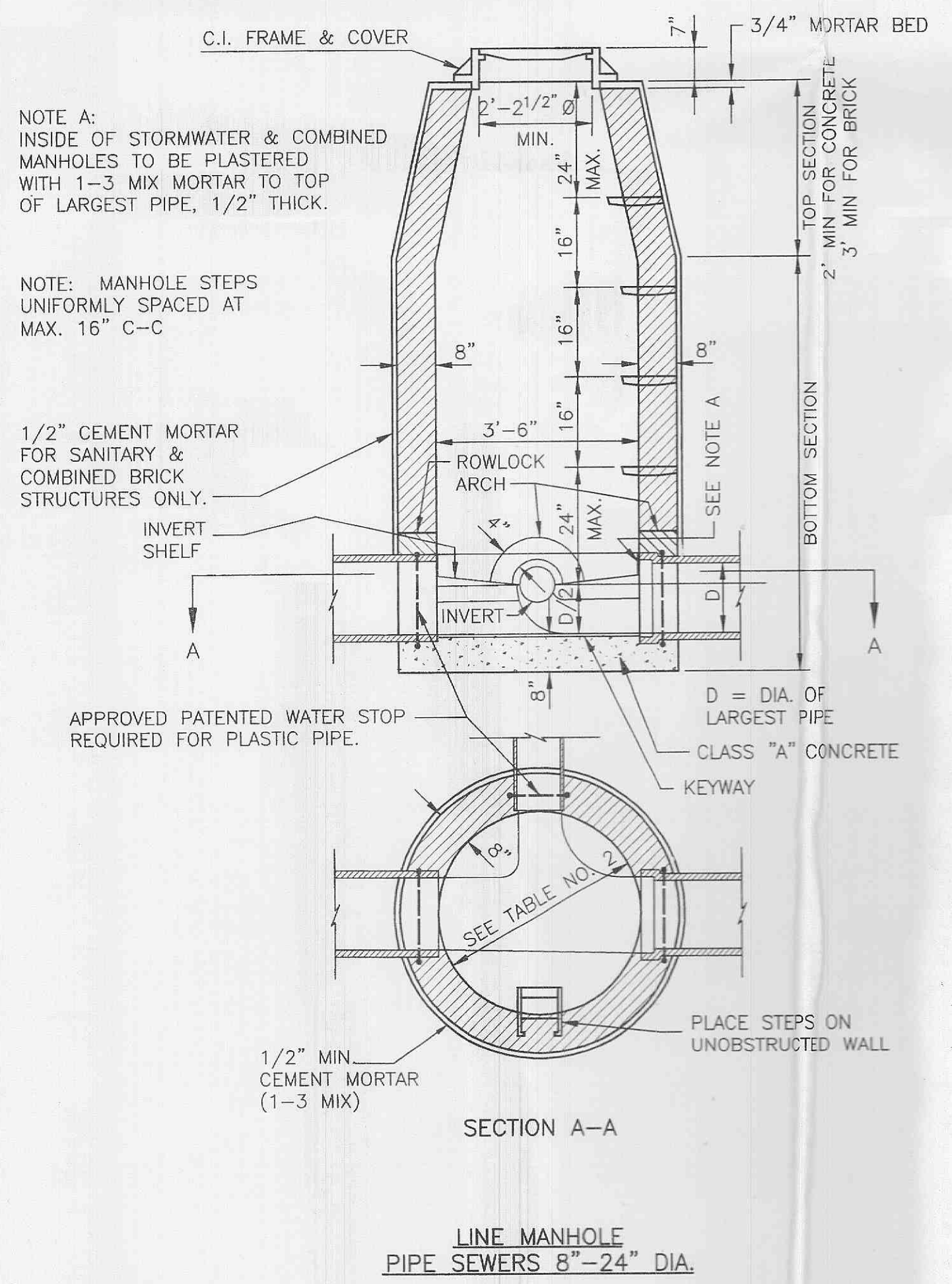
LINE	STATION	TYPE	DIAMETER	GRADE	REMARKS
EXISTING	510.00	21" RCP	12"	513.00	FL OUT
EXISTING	517.93	21" RCP	12"	517.93	FL IN
PROPOSED	518.12	12" R.C.P. CLASS III	12"	518.12	PRIVATE
PROPOSED	518.25	18" R.C.P. CLASS III	18"	518.25	PRIVATE



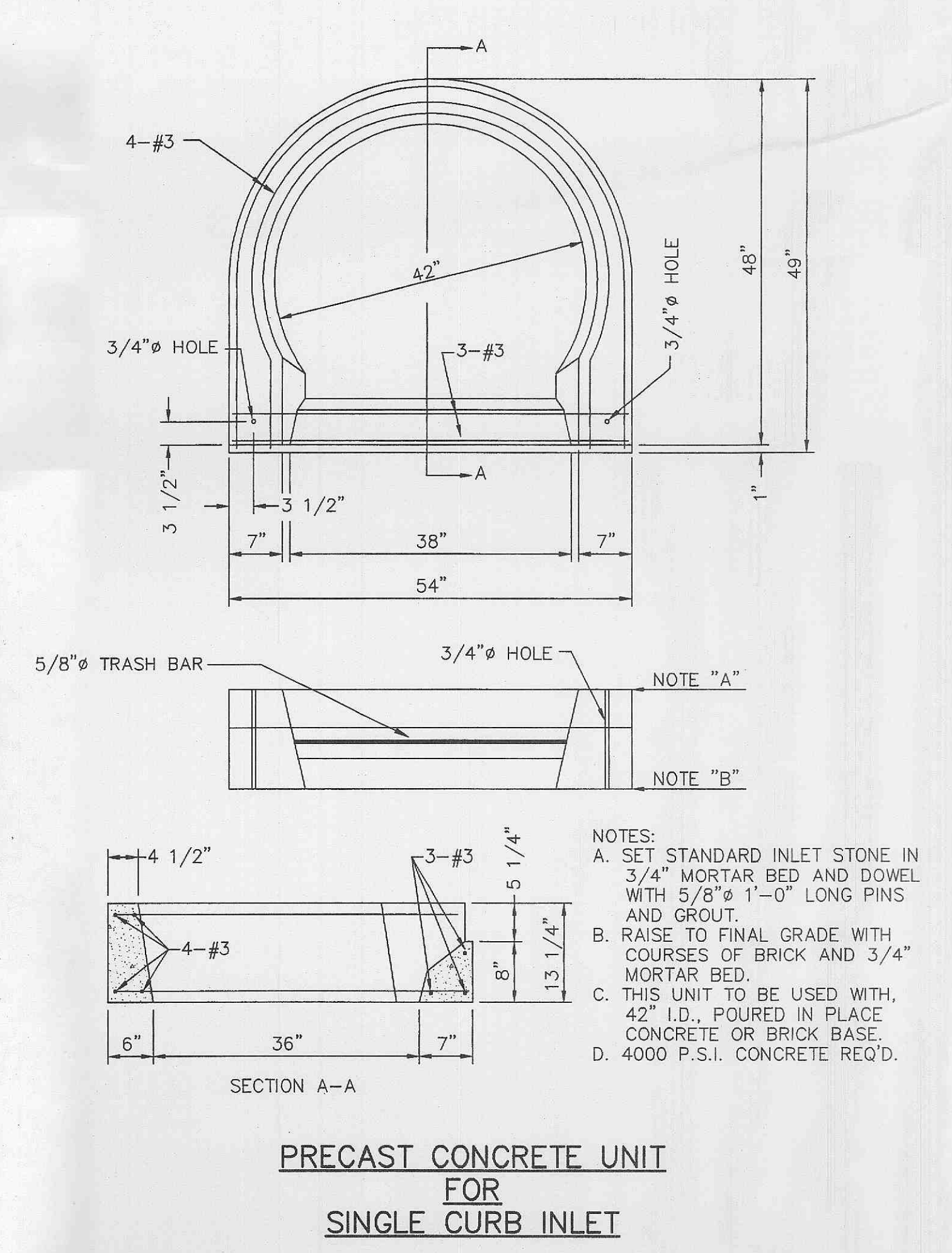
PIPE BEDDING CLASS "C"
 (MODIFIED FOR REINFORCED
 CONCRETE PIPE)



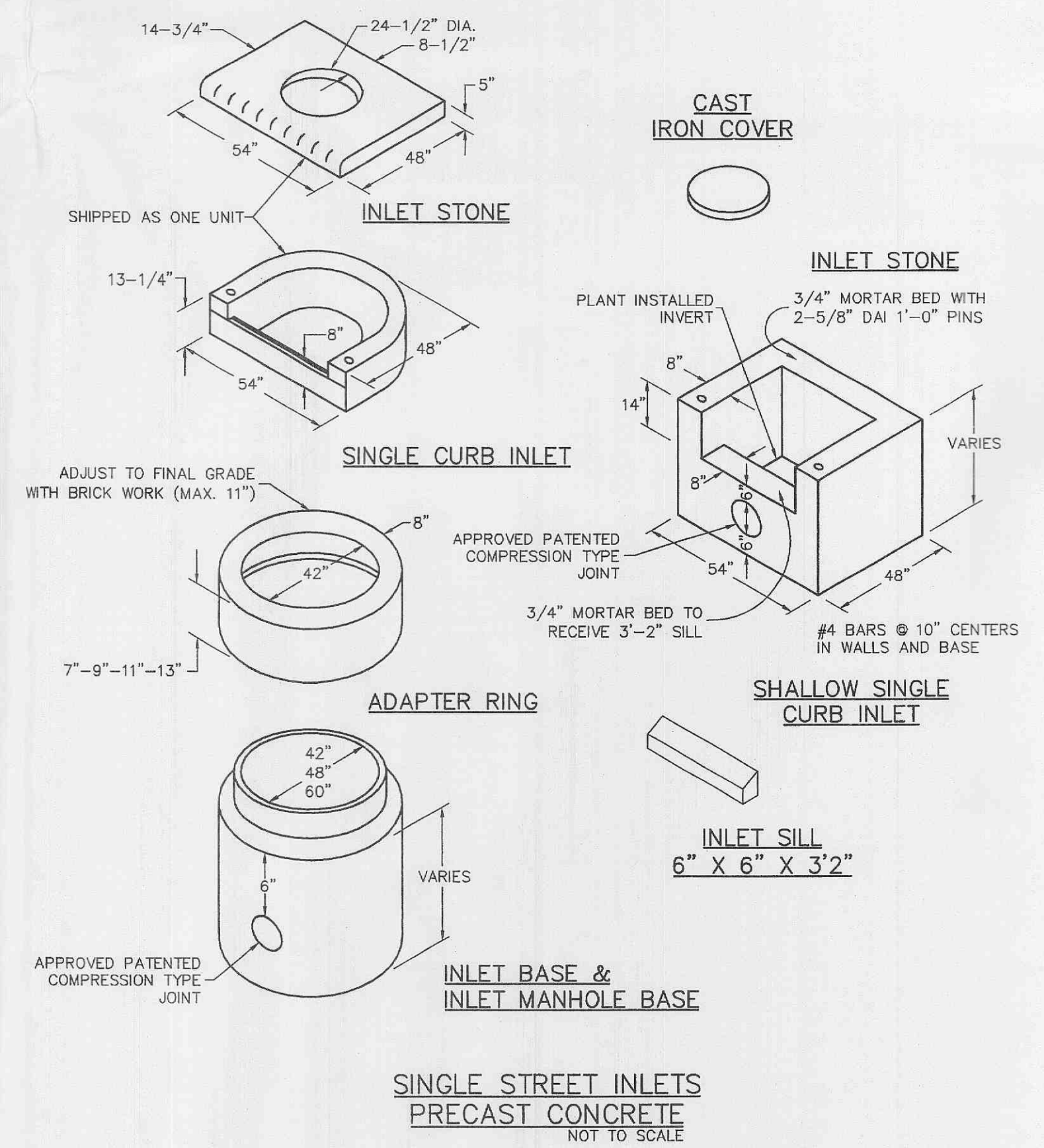
PIPE BEDDING CLASS "C"
 (FOR ALL PIPE EXCEPT
 REINFORCED CONCRETE PIPE)



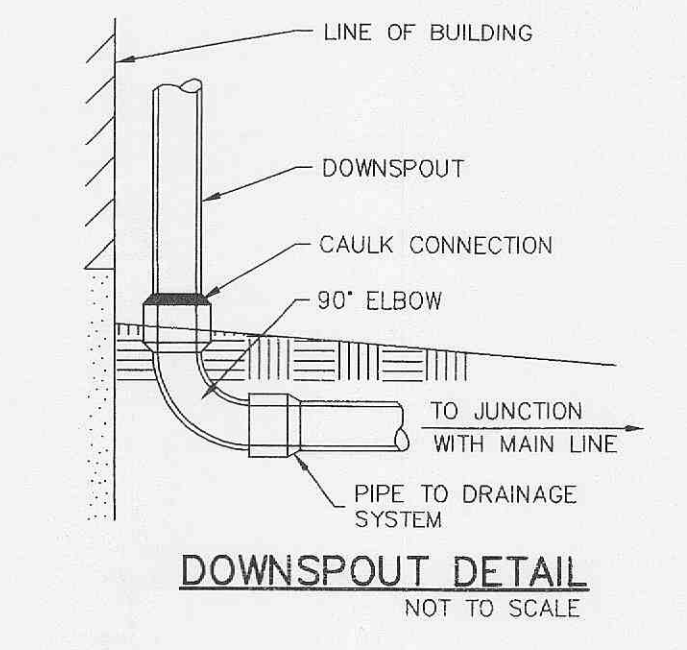
LINE MANHOLE
 PIPE SEWERS 8"-24" DIA.



PRECAST CONCRETE UNIT
 FOR
 SINGLE CURB INLET



SINGLE STREET INLETS
 PRECAST CONCRETE
 NOT TO SCALE



DOWNSPOUT DETAIL
 NOT TO SCALE