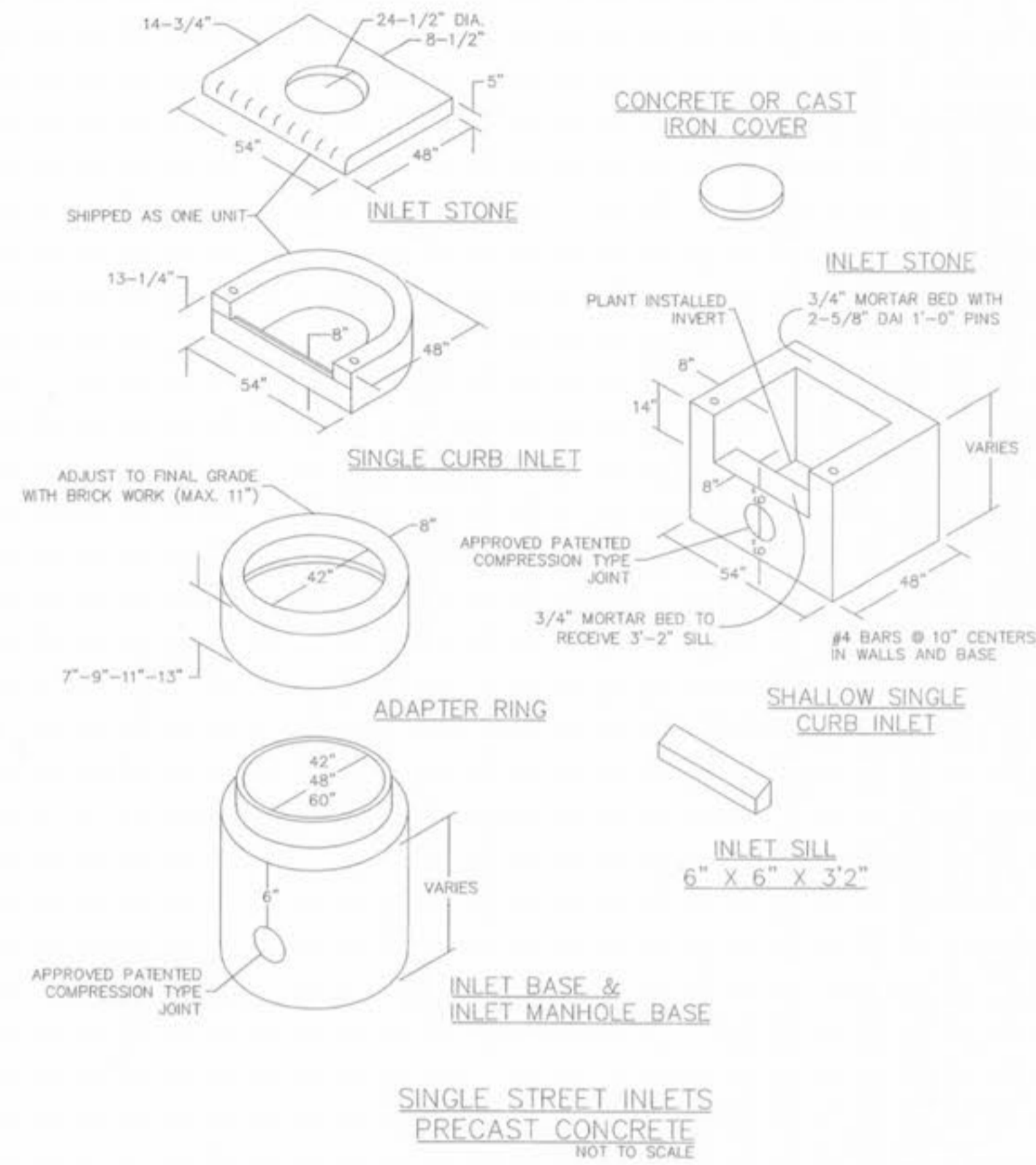
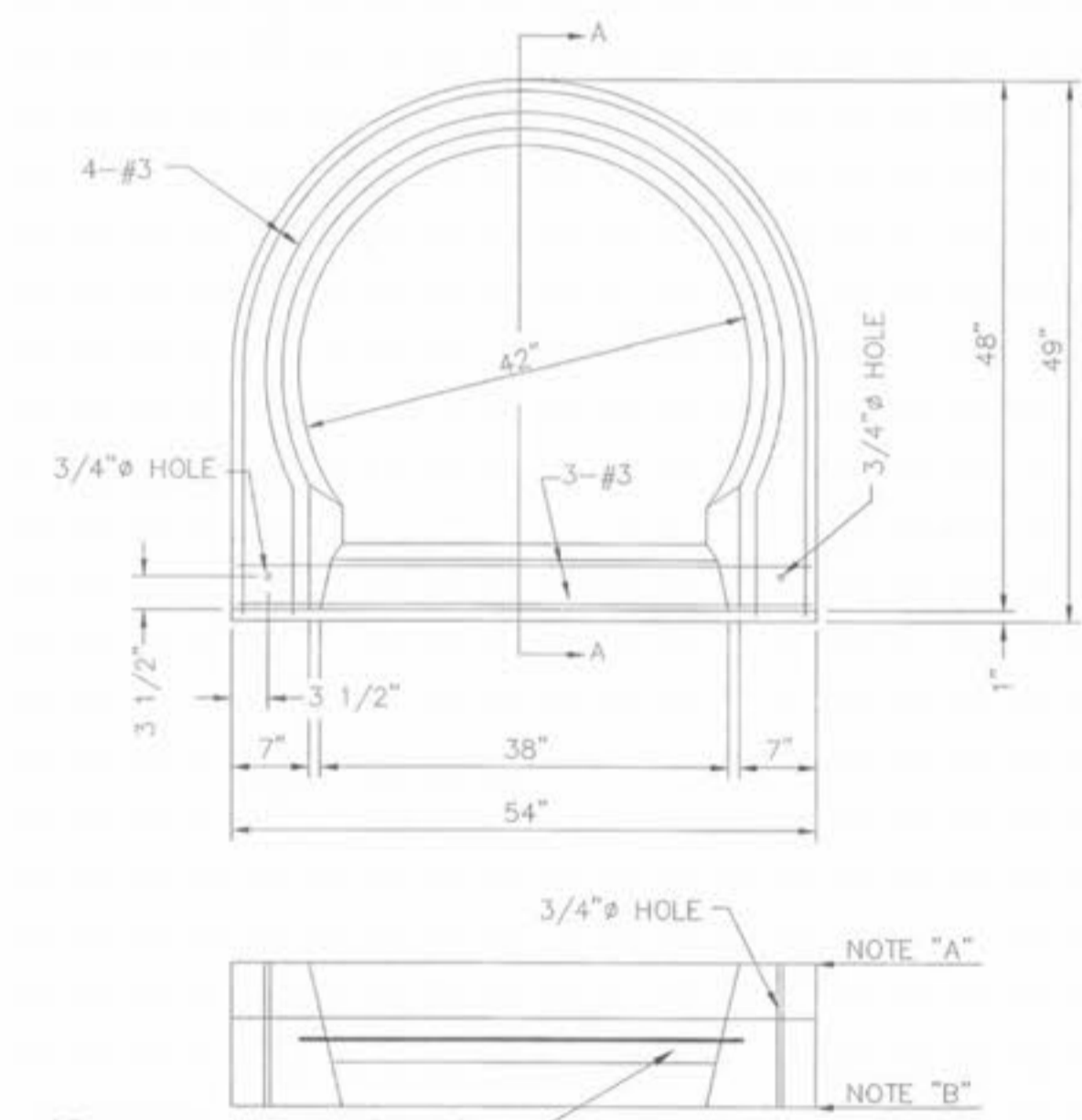


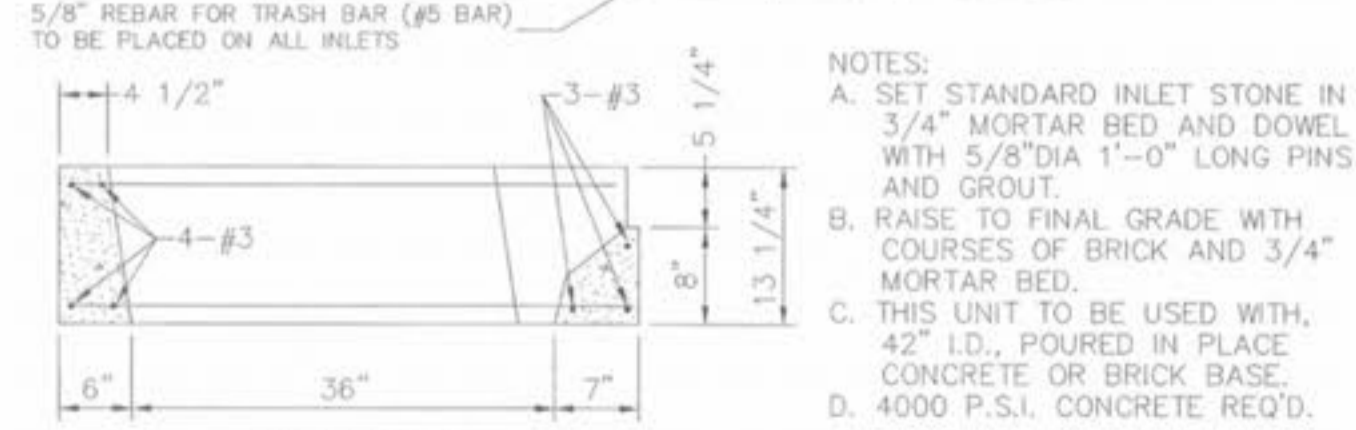
AREA INLET
 (12" THRU 24")



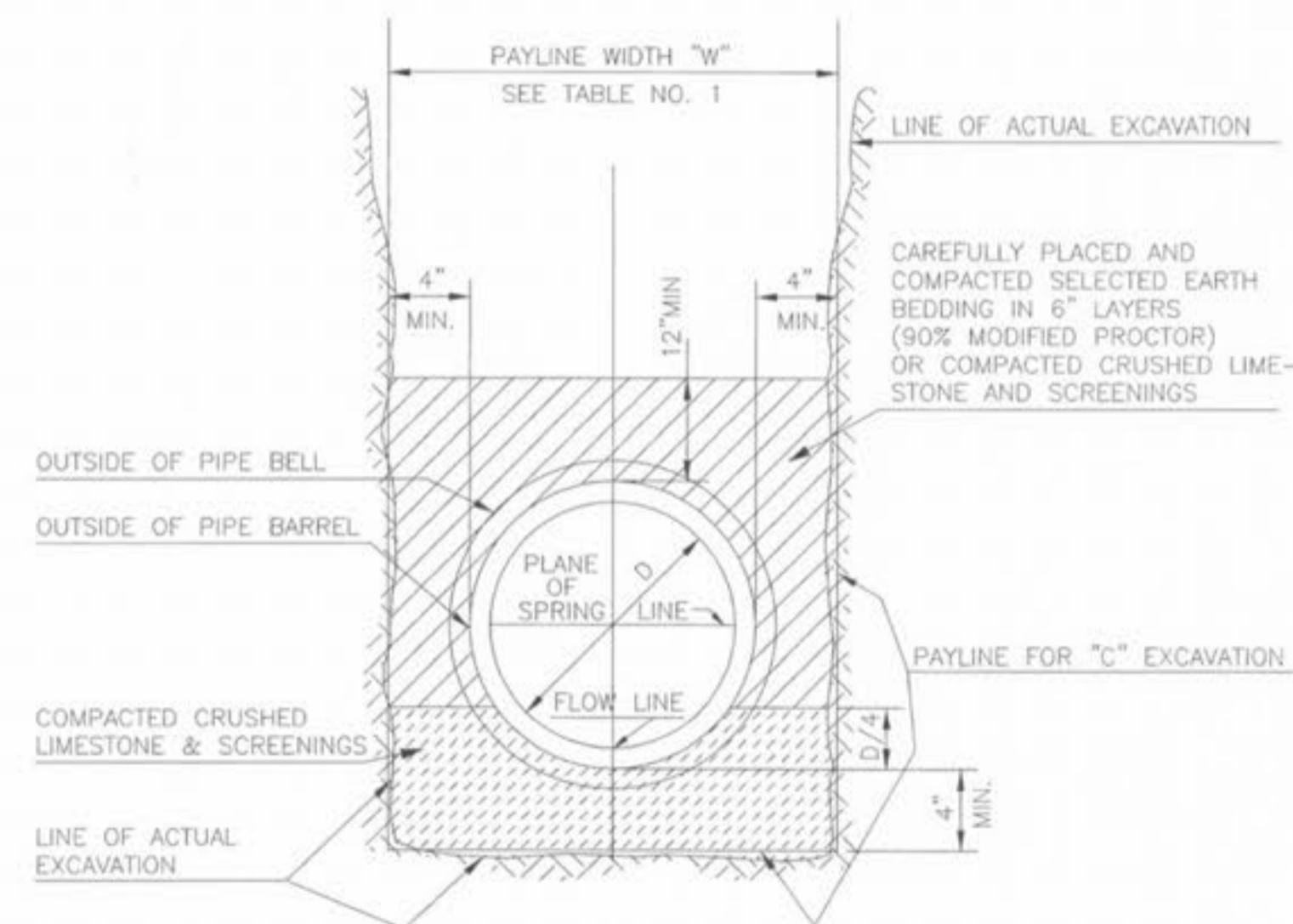
SINGLE STREET INLETS
 PRECAST CONCRETE
 NOT TO SCALE



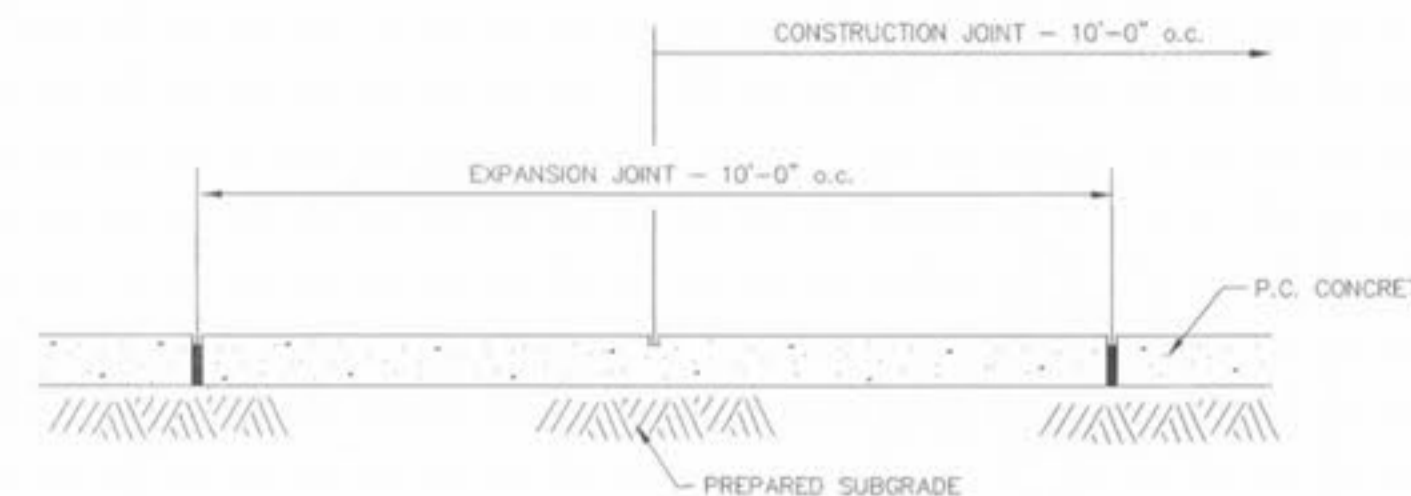
PRECAST CONCRETE UNIT
 FOR
 SINGLE CURB INLET



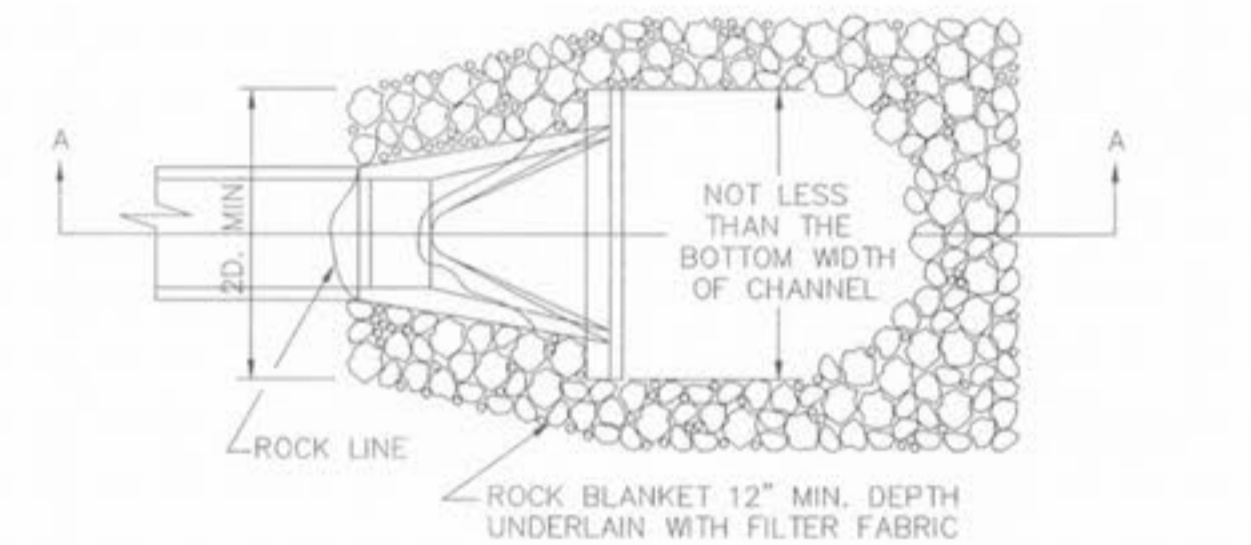
NOTES:
 A. SET STANDARD INLET STONE IN 3/4" MORTAR BED AND DOWEL WITH 5/8" DIA 1'-0" LONG PINS AND GROUT.
 B. RAISE TO FINAL GRADE WITH COURSES OF BRICK AND 3/4" MORTAR BED.
 C. THIS UNIT TO BE USED WITH 42" I.D., POURED IN PLACE CONCRETE OR BRICK BASE.
 D. 4000 P.S.I. CONCRETE REQ'D.



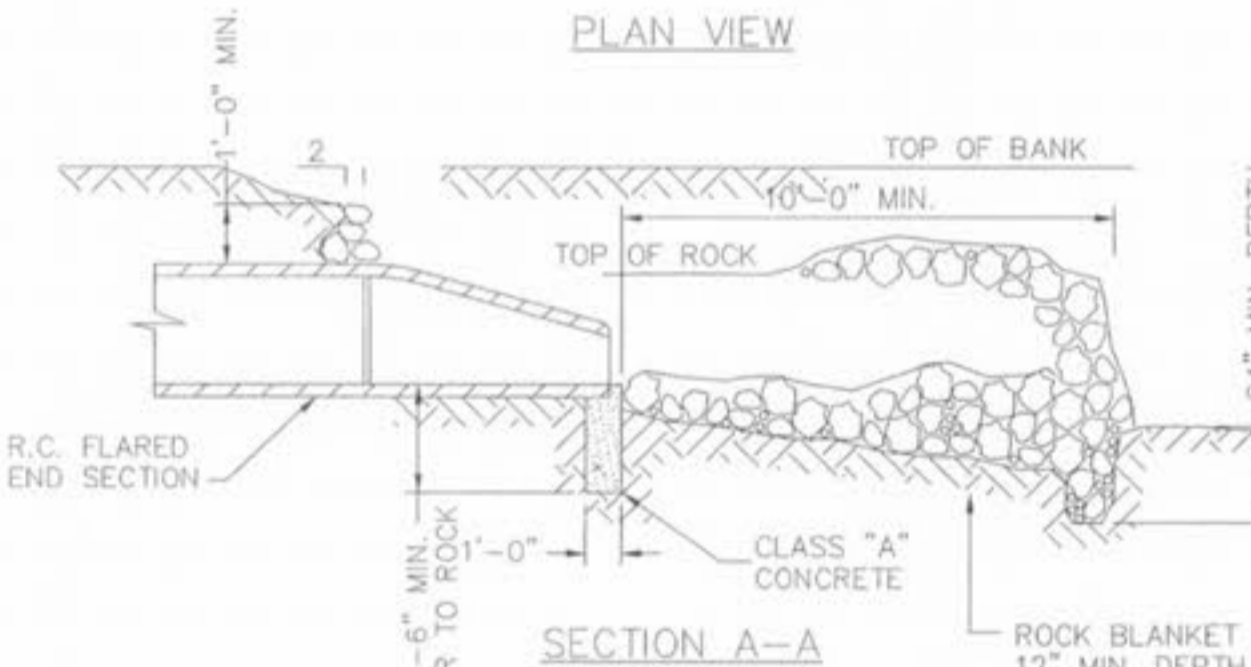
PIPE BEDDING CLASS "C"
 (FOR ALL SANITARY
 SEWER MAINS)



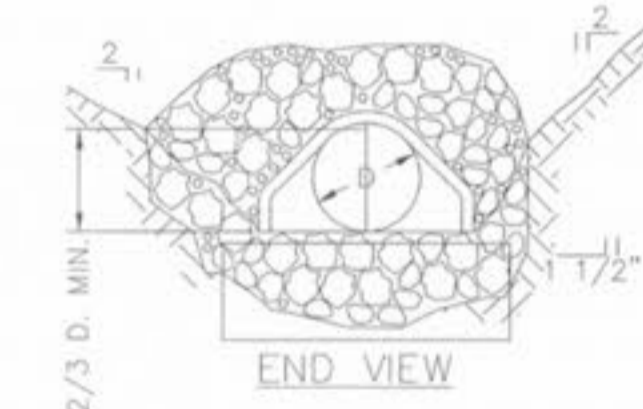
CONCRETE SIDEWALK DETAIL
 NOT TO SCALE



PLAN VIEW

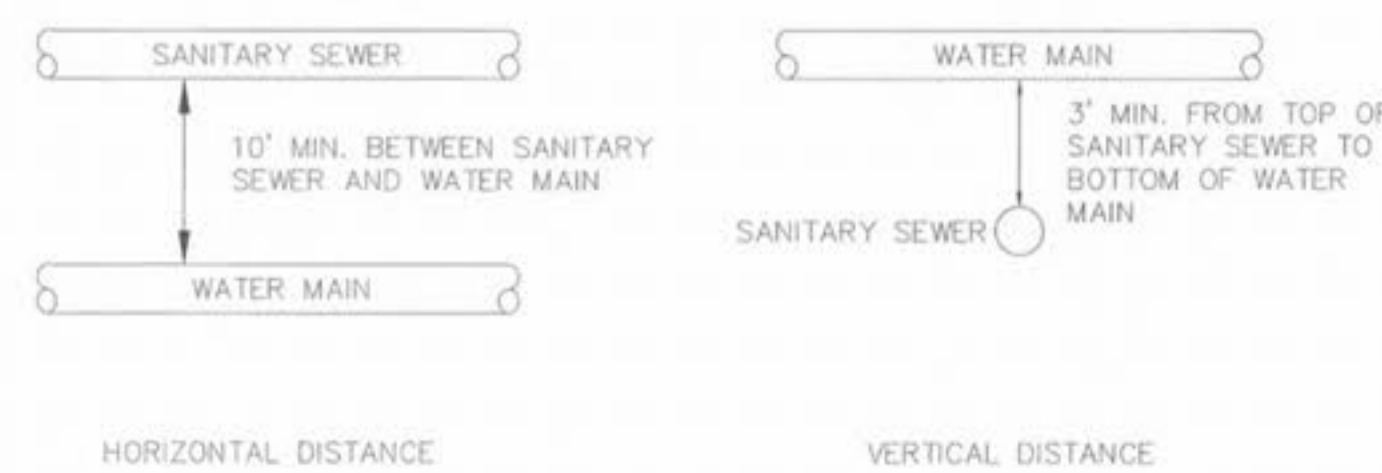


SECTION A-A

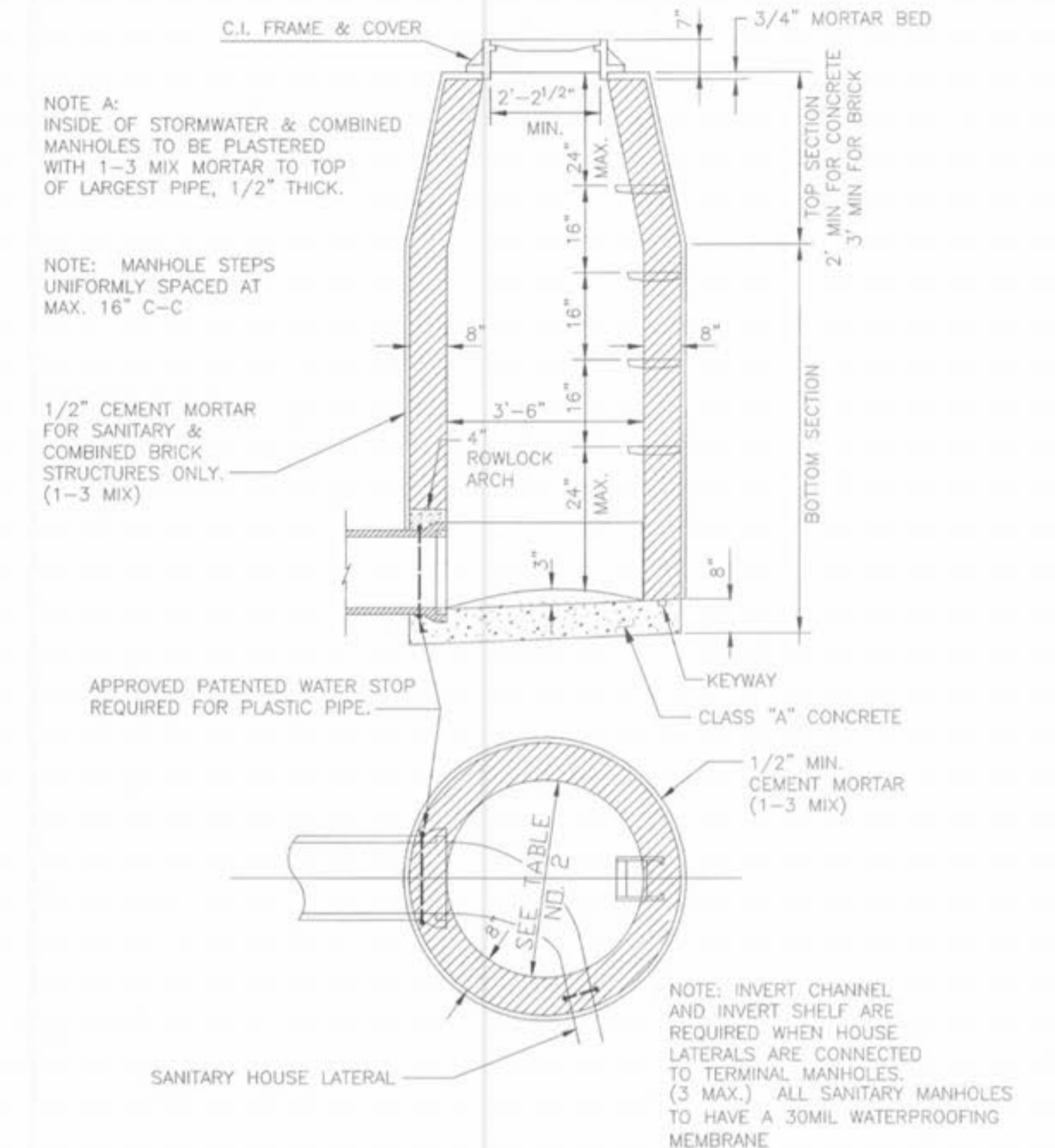


END VIEW

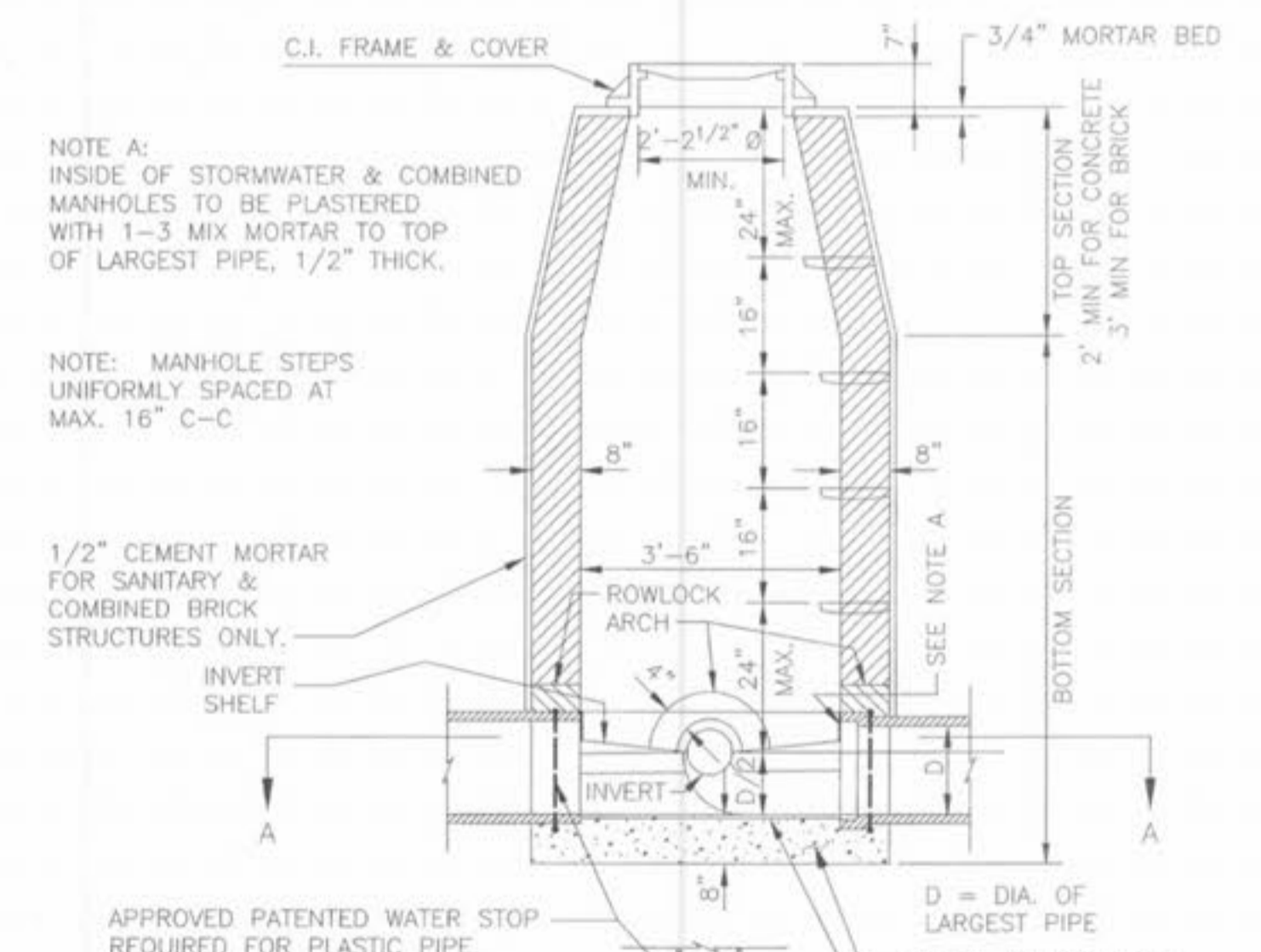
FLARED END SECTION



TYPICAL WATER AND SEWER SEPARATION
 NOT TO SCALE



TERMINAL MANHOLE



SECTION A-A

LINE MANHOLE
 PIPE SEWERS 8"-24" DIA.

