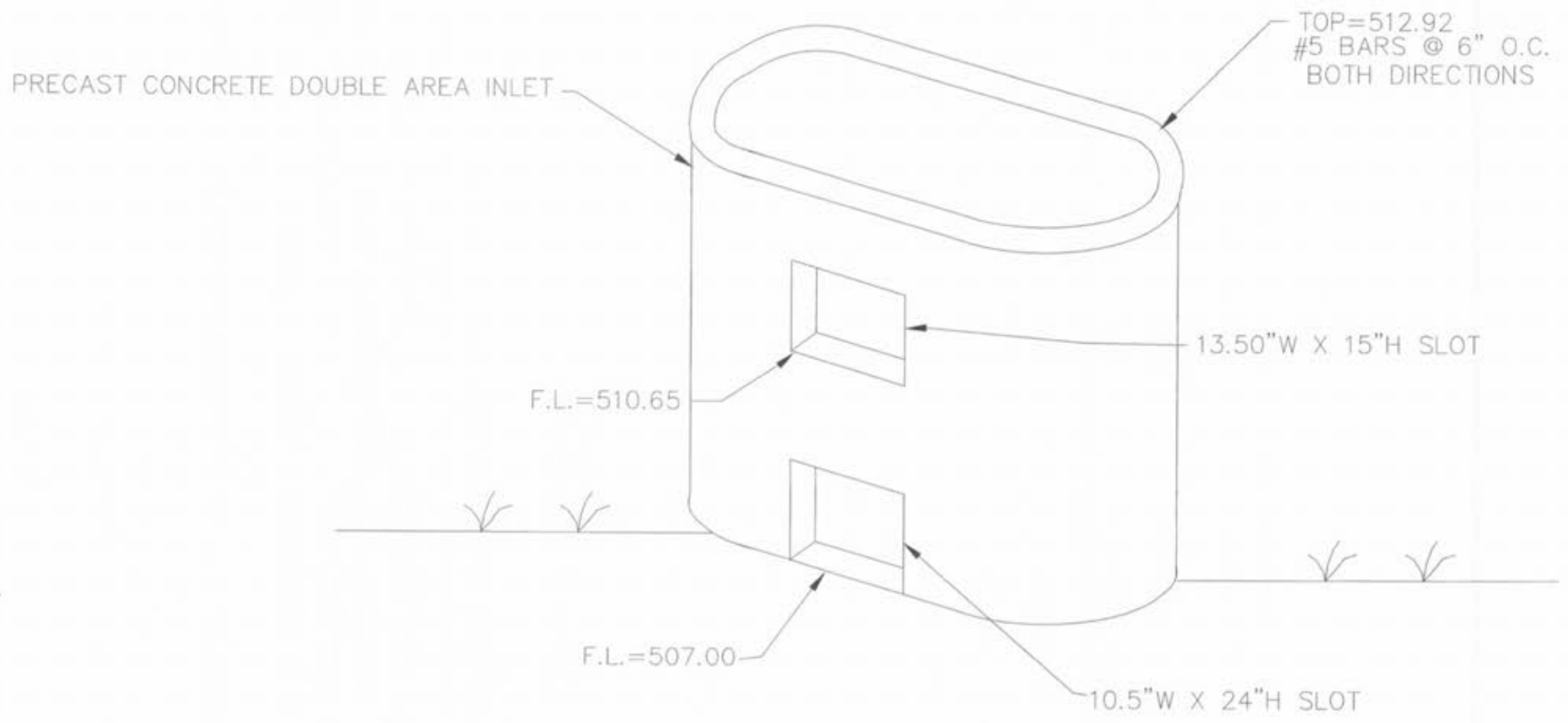
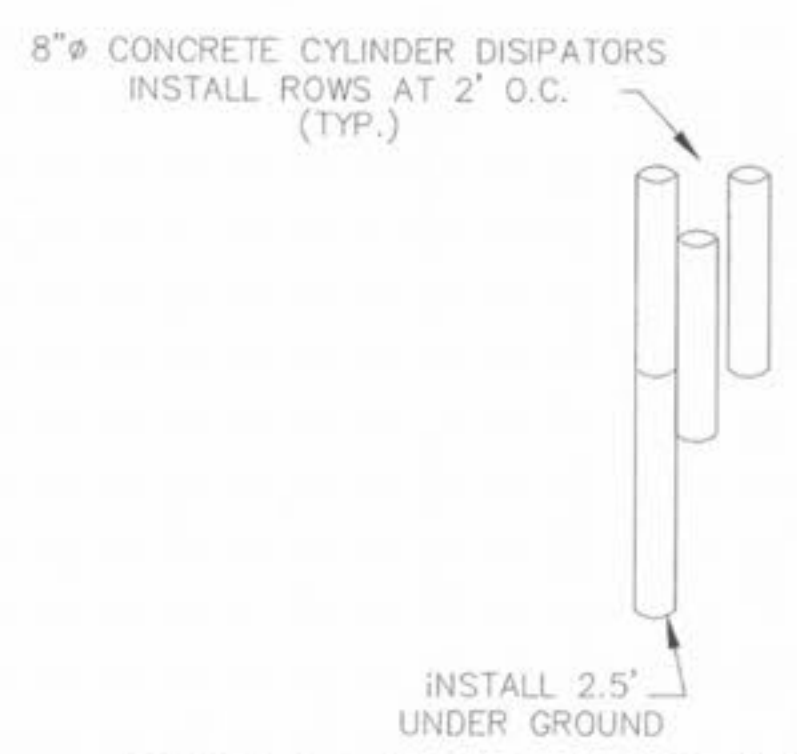


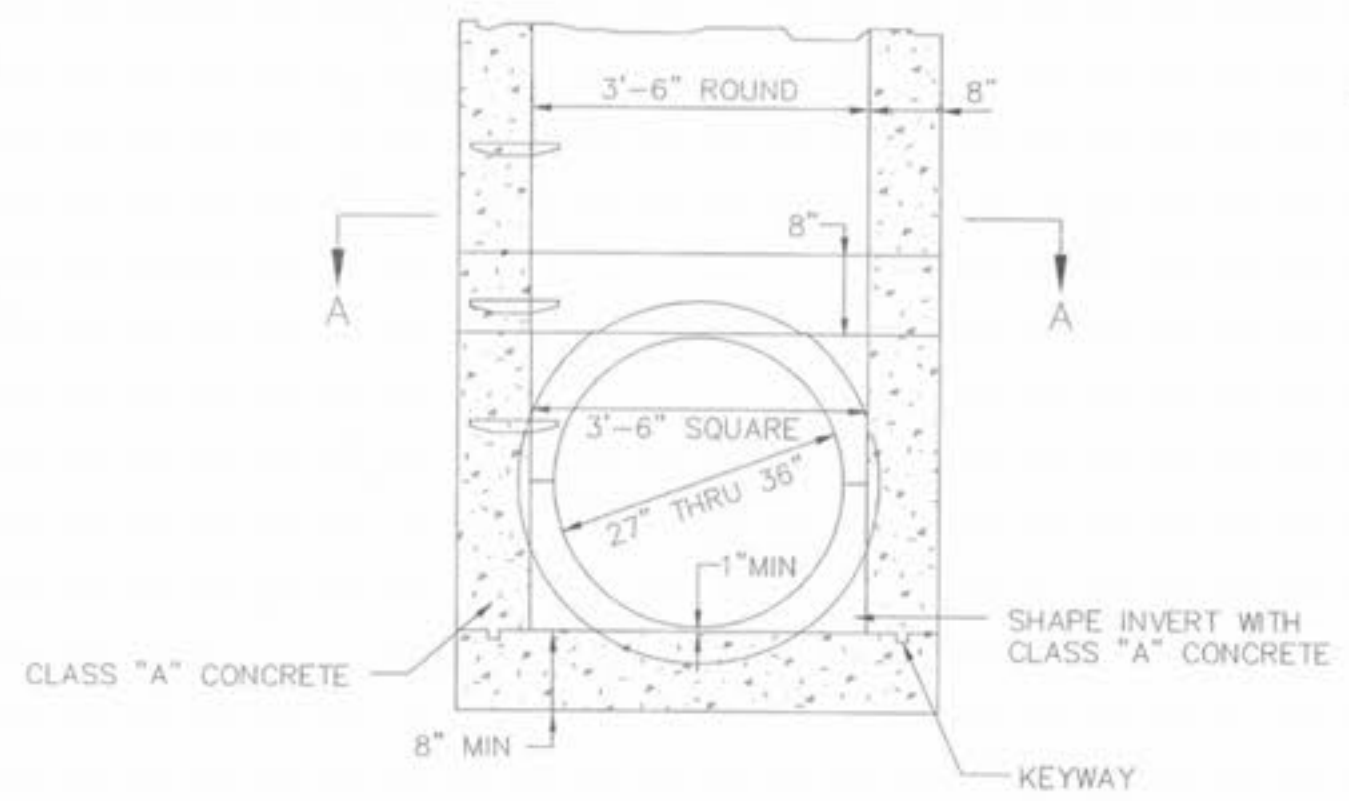
O.S. 119 OVERFLOW STRUCTURE DETAIL
NOT TO SCALE



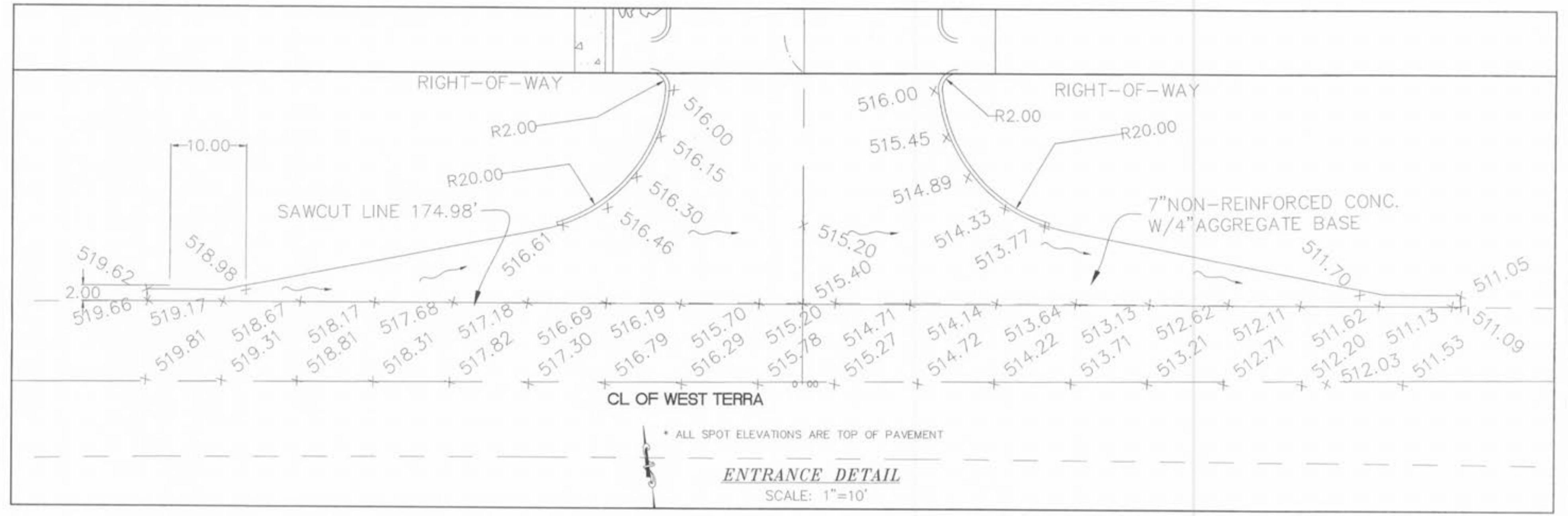
O.S. 101 OVERFLOW STRUCTURE DETAIL
NOT TO SCALE



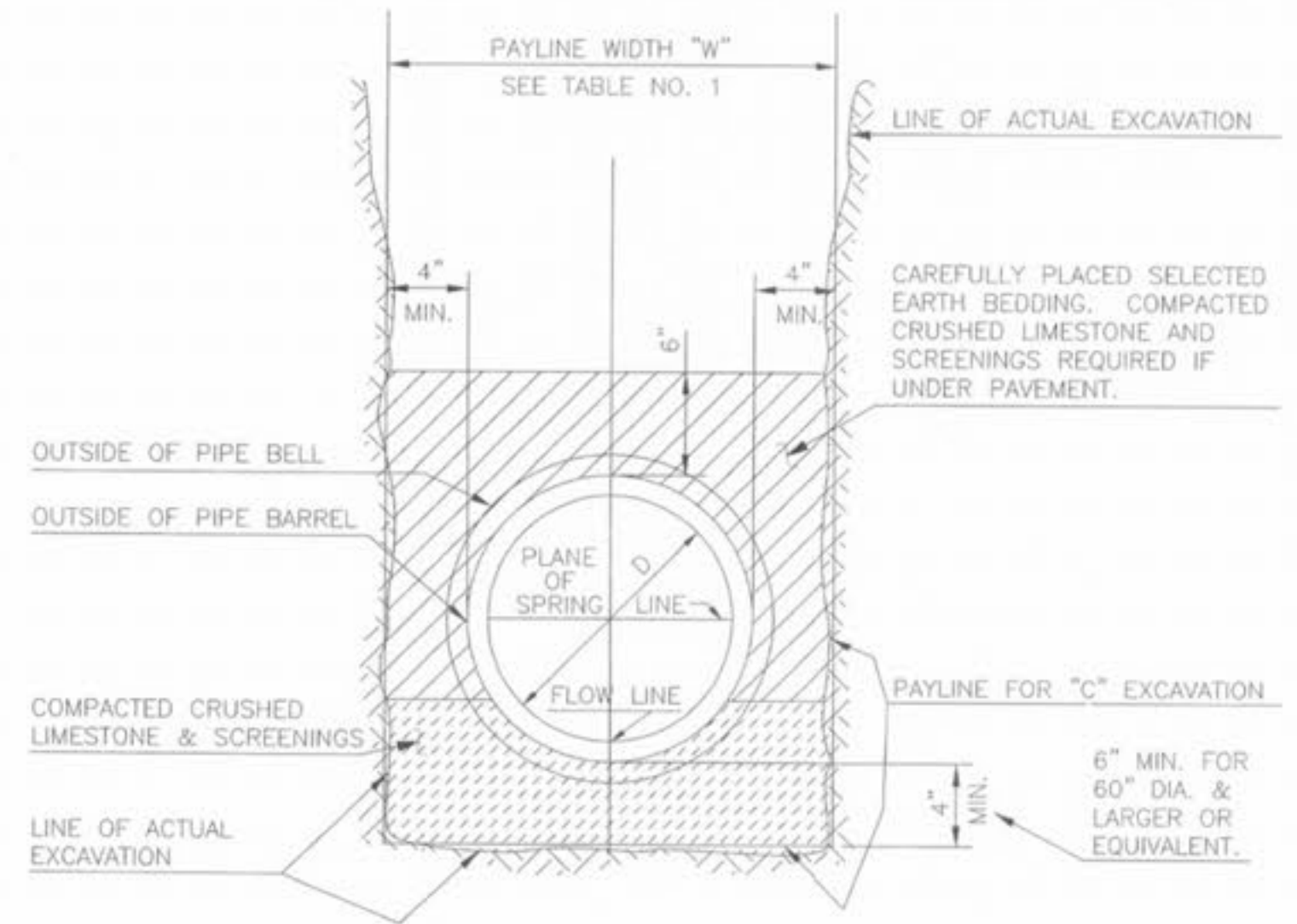
DISIPATOR DETAIL
NO SCALE



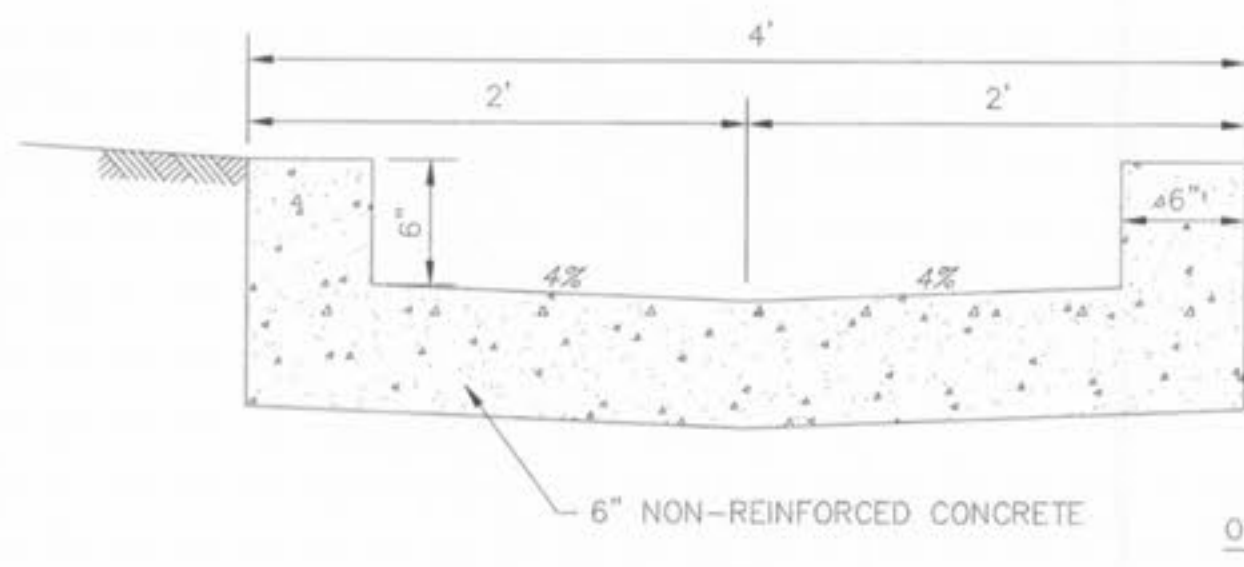
SECTION A-A
MANHOLE ON PIPE SEWER
27\"/>



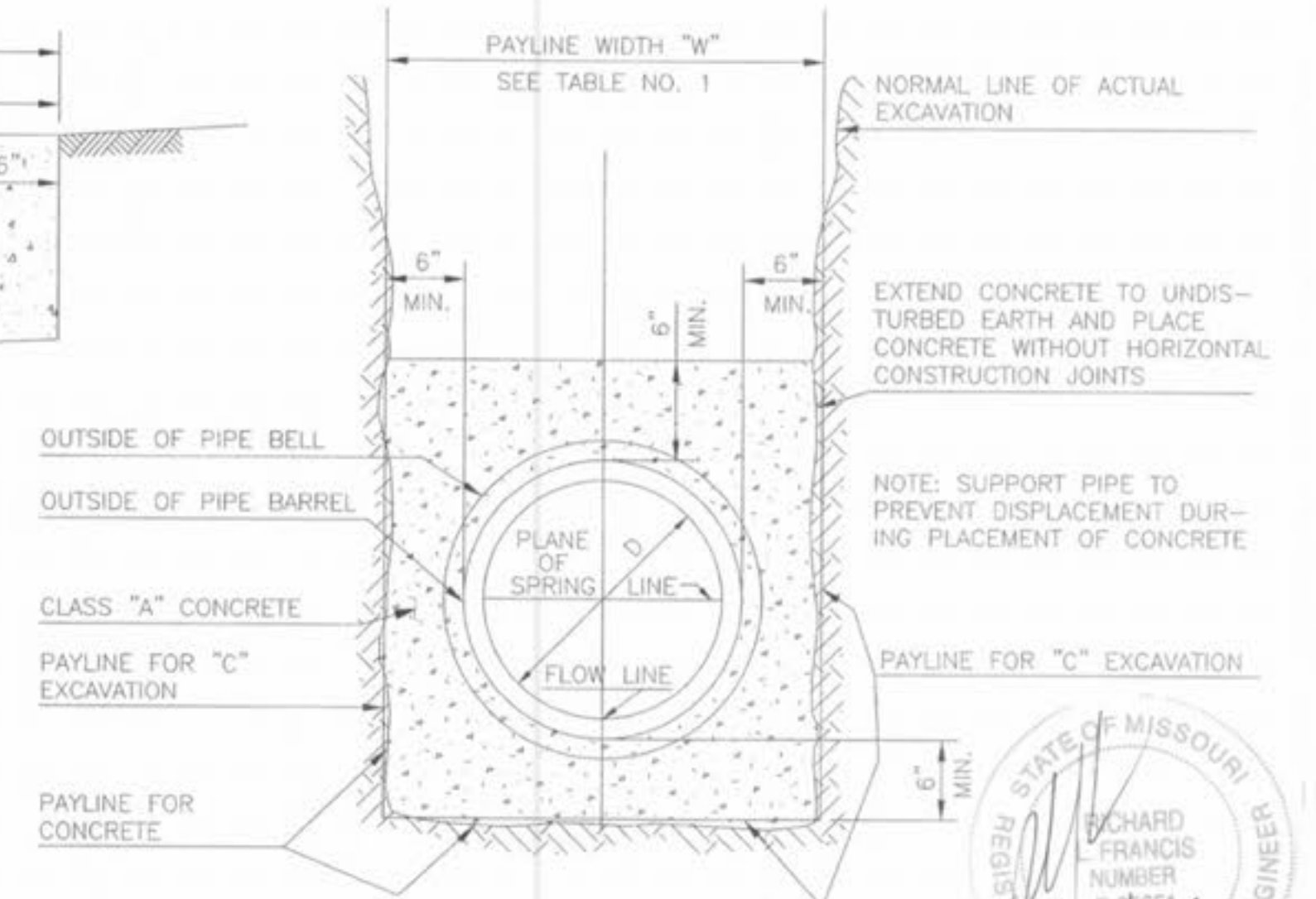
ENTRANCE DETAIL
SCALE: 1"=10'



PIPE BEDDING CLASS "C"
(MODIFIED FOR REINFORCED
CONCRETE PIPE)



CONCRETE SWALE
NOT TO SCALE



CONCRETE ENCASUREMENT

