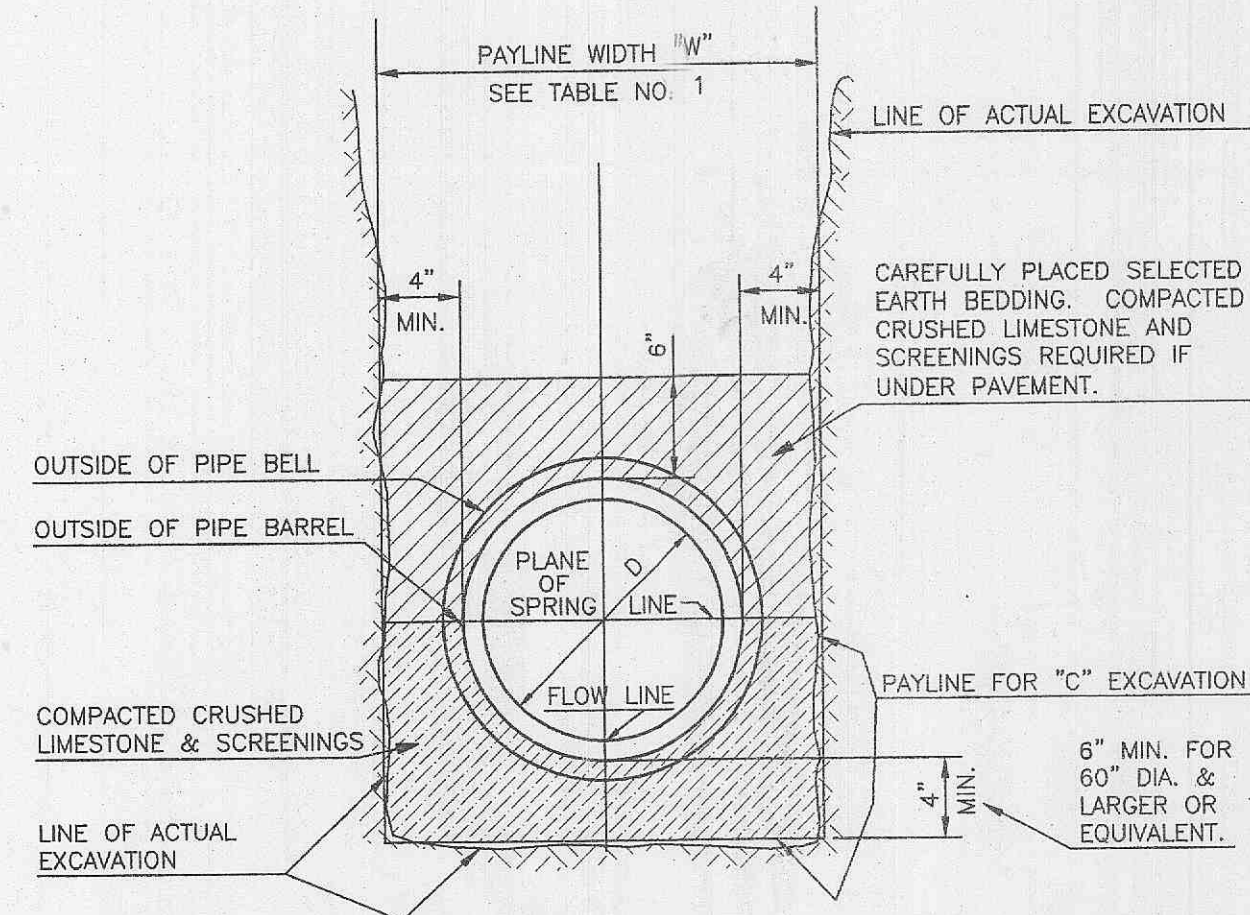
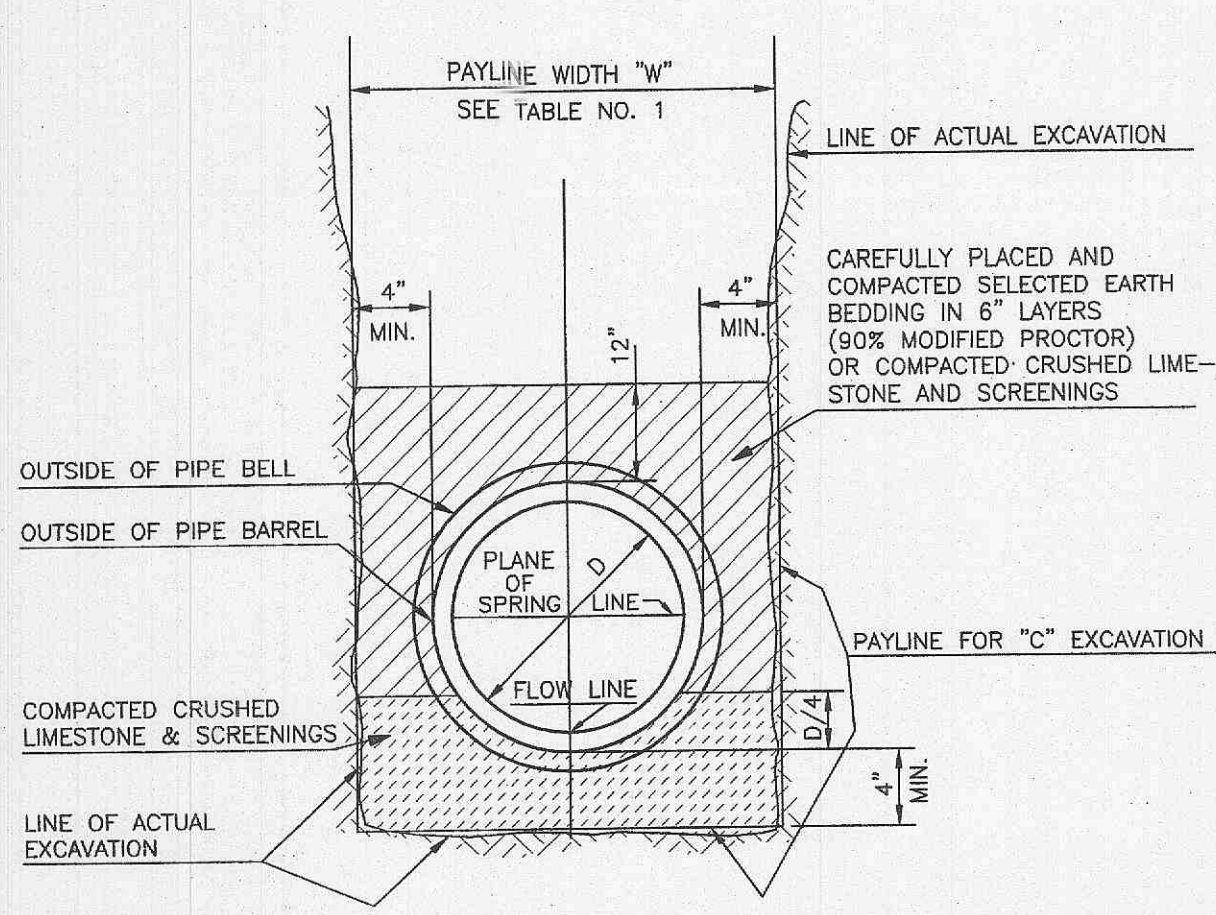


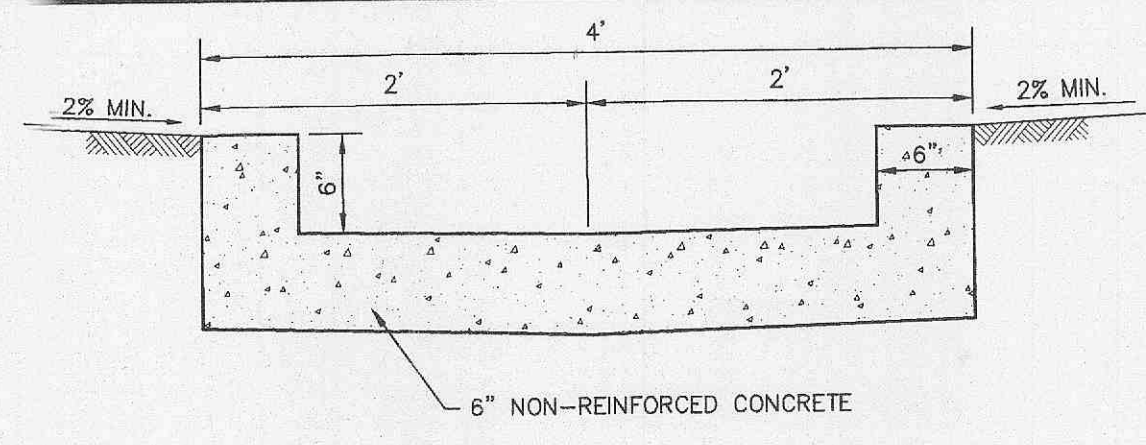
ROUND PIPE				HORIZONTAL ELLIPTICAL PIPE			
Inside Diameter of Pipe (Inches)	Payline Width of Trench (Inches)	Payline Width of Trench (Feet)	Pay-volumes cu. ft. per ft. Concrete Encasement	Inside Diameter of Pipe (Inches)	Payline Width of Trench (Inches)	Payline Width of Trench (Feet)	Pay-volumes cu. ft. per ft. Concrete
4	28	2.33	3.20				
6	28	2.33	3.46				
8	28	2.33	3.70				
10	28	2.33	3.86				
12	28	2.33	3.98				
15	32	2.67	4.89				
18	35	2.92	5.63	14 X 23	41	3.42	5.94
21	39	3.25	6.61				
24	42	3.50	7.39	19 X 30	49	4.08	7.68
27	45	3.75	8.18	22 X 34	53	4.42	8.61
30	49	4.08	9.30	24 X 38	58	4.83	9.70
33	53	4.42	10.53	27 X 42	62	5.17	10.71
36	56	4.67	11.43	29 X 45	66	5.50	11.72
39	DISCONTINUED			32 X 49	71	5.92	13.14
42	63	5.25	13.38	34 X 53	75	6.25	14.05
48	70	5.83	15.67	38 X 60	83	6.92	16.18

TABLE NO. 1
PAYLINE WIDTHS OF TRENCH AND
PAY-QUANTITIES OF CONCRETE

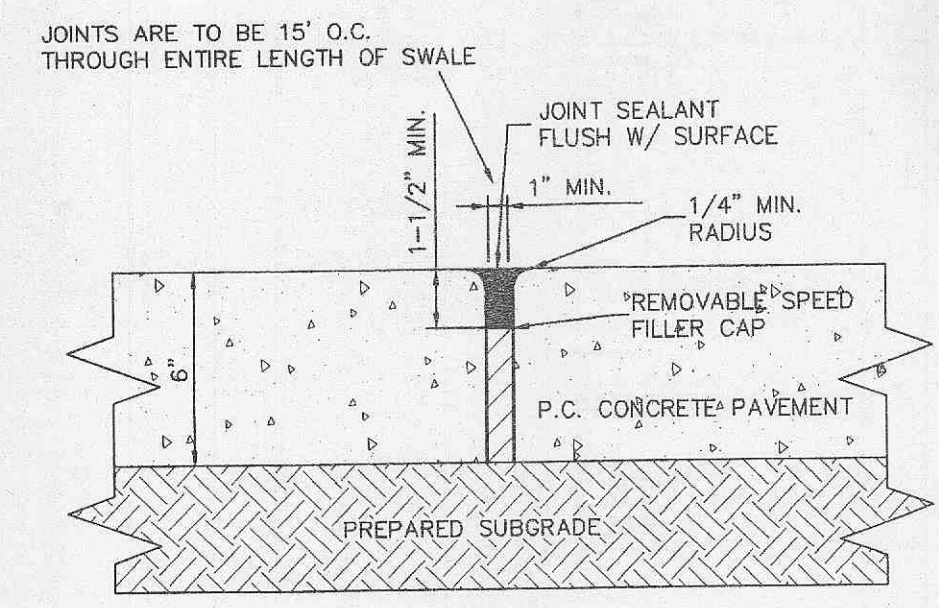


PIPE BEDDING CLASS "C"
(FOR ALL PIPE EXCEPT
REINFORCED CONCRETE PIPE)

PIPE BEDDING CLASS "C"
(MODIFIED FOR REINFORCED
CONCRETE PIPE)

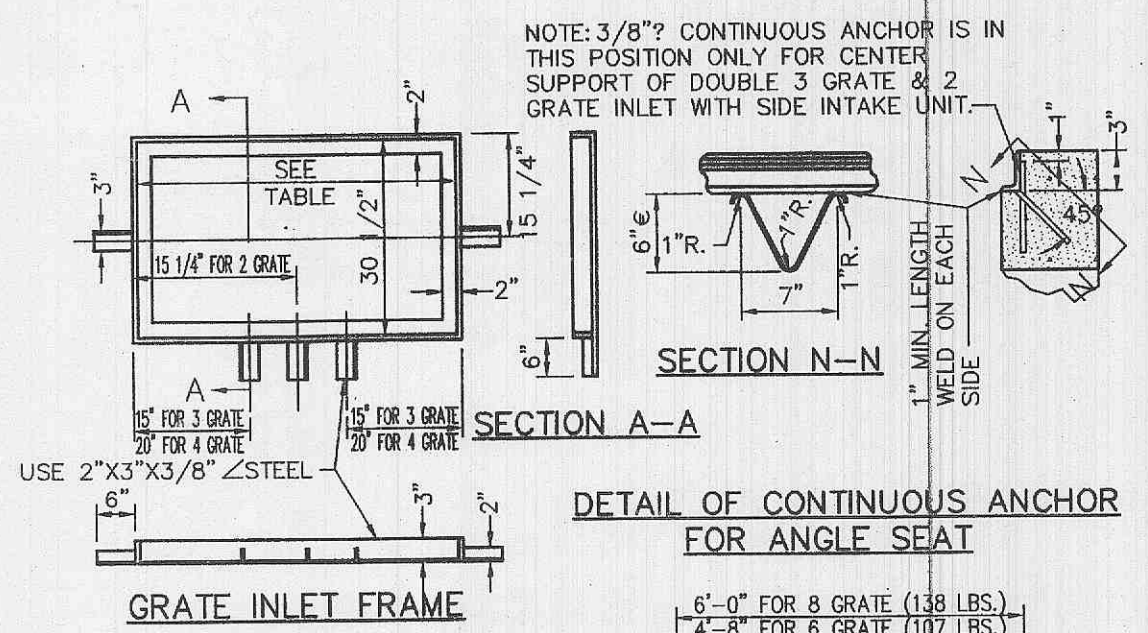


CONCRETE SWALE



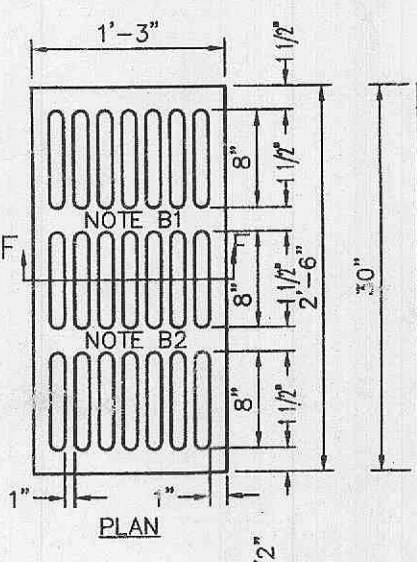
EXPANSION JOINT

6" CONCRETE PAVEMENT JOINT DETAIL
FOR DETENTION BASIN SWALE
NOT TO SCALE



DETAIL OF CONTINUOUS ANCHOR
FOR ANGLE SEAT

GRATE INLET FRAME



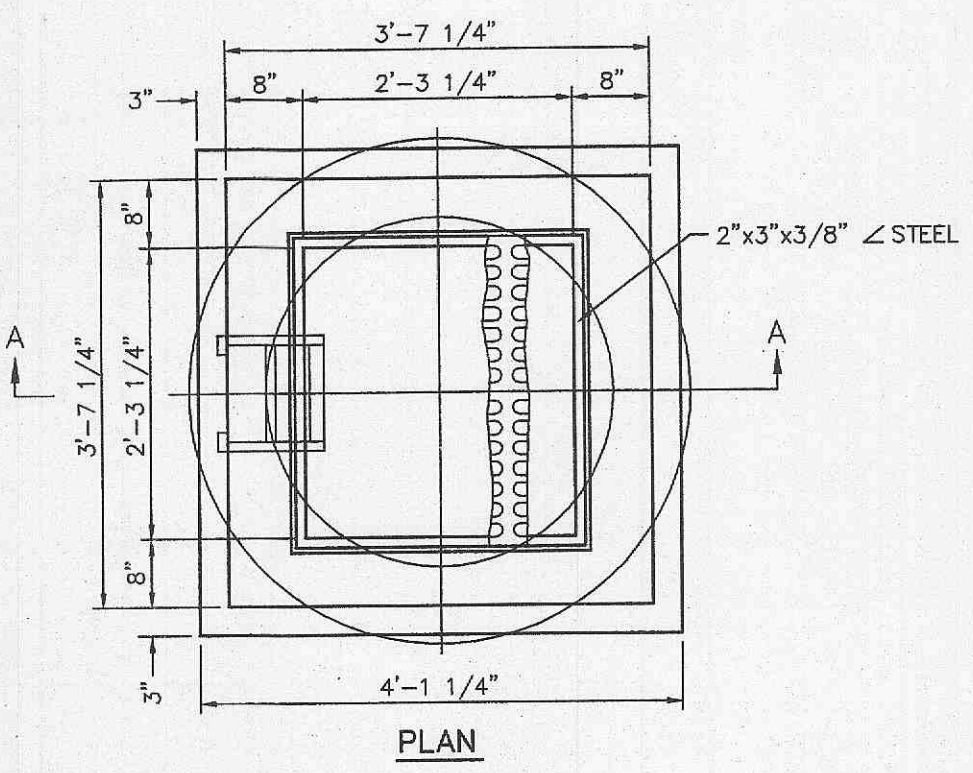
8" I-23 LB
FOR CENTER SUPPORT OF
6-OR-8 GRATE INLET

TABLE FOR SIZE OF FRAMES	
2 GRATE = 30	1/2" X 30 1/2"
3 GRATE = 30	1/2" X 45 1/2"
4 GRATE = 30	1/2" X 60 1/2"

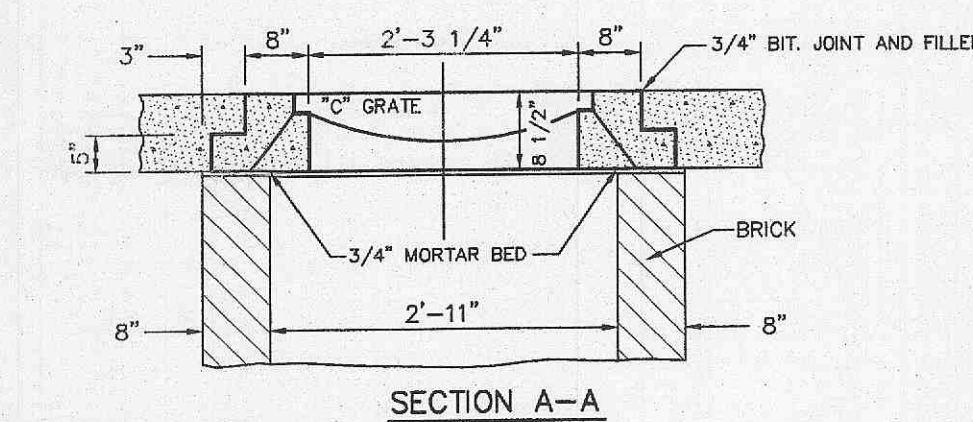
NOTE B: PROVIDE 1/8" RAISED
LETTERING APPROX. 3/4" TO 1"
HIGH.
B1: METRO ST. LOUIS
B2: SEWER DIST. SEWERS

MATERIAL: CAST GRAY IRON ASTM A48 CLASS 35B
COATING SPEC. PER MSD SPEC. (0-01 GOLD TAR)
CAST IRON GRATE
(NF-41164 OR EQUAL)

DETAILS OF INLET
FRAME AND GRATES

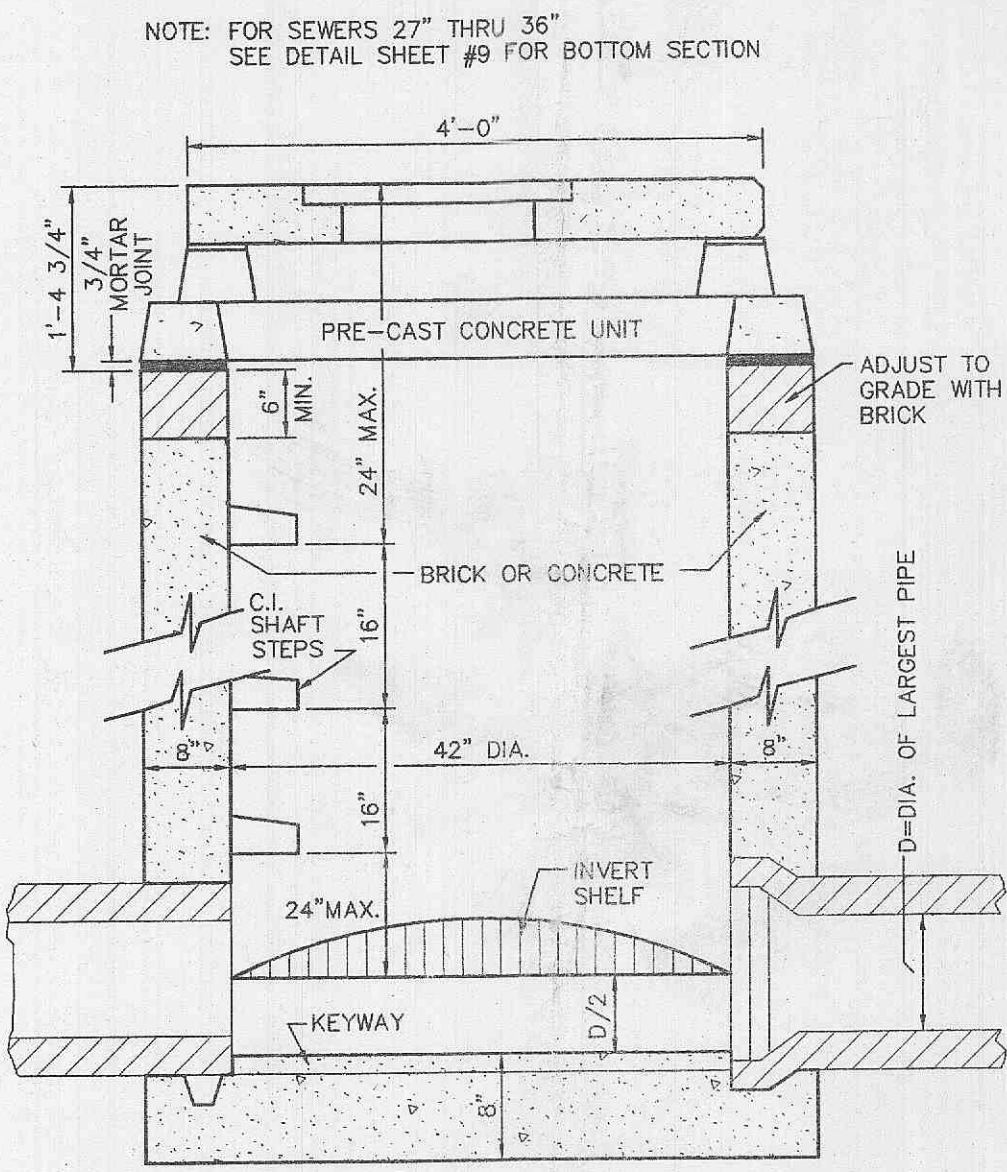


PLAN

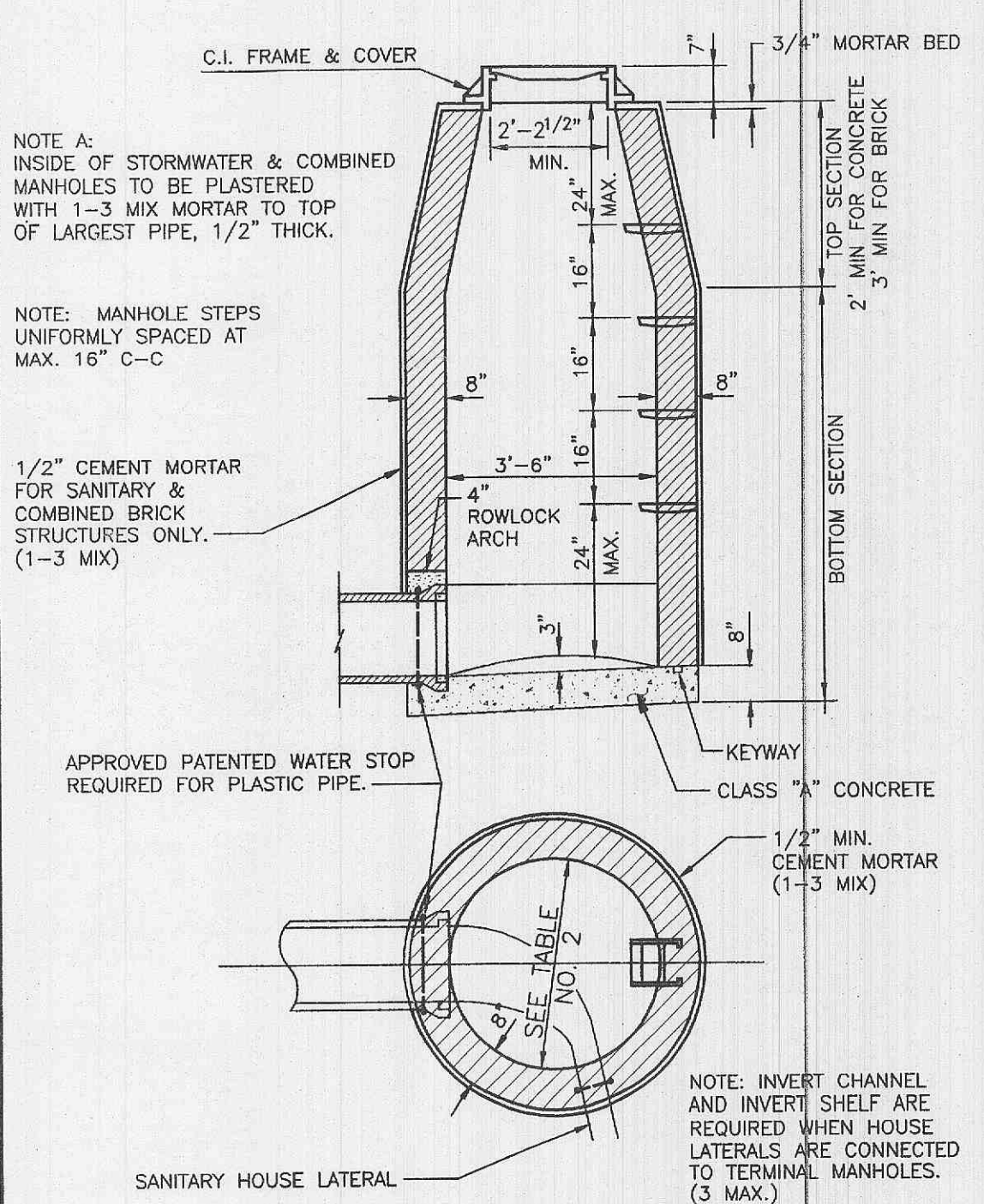


SECTION A-A

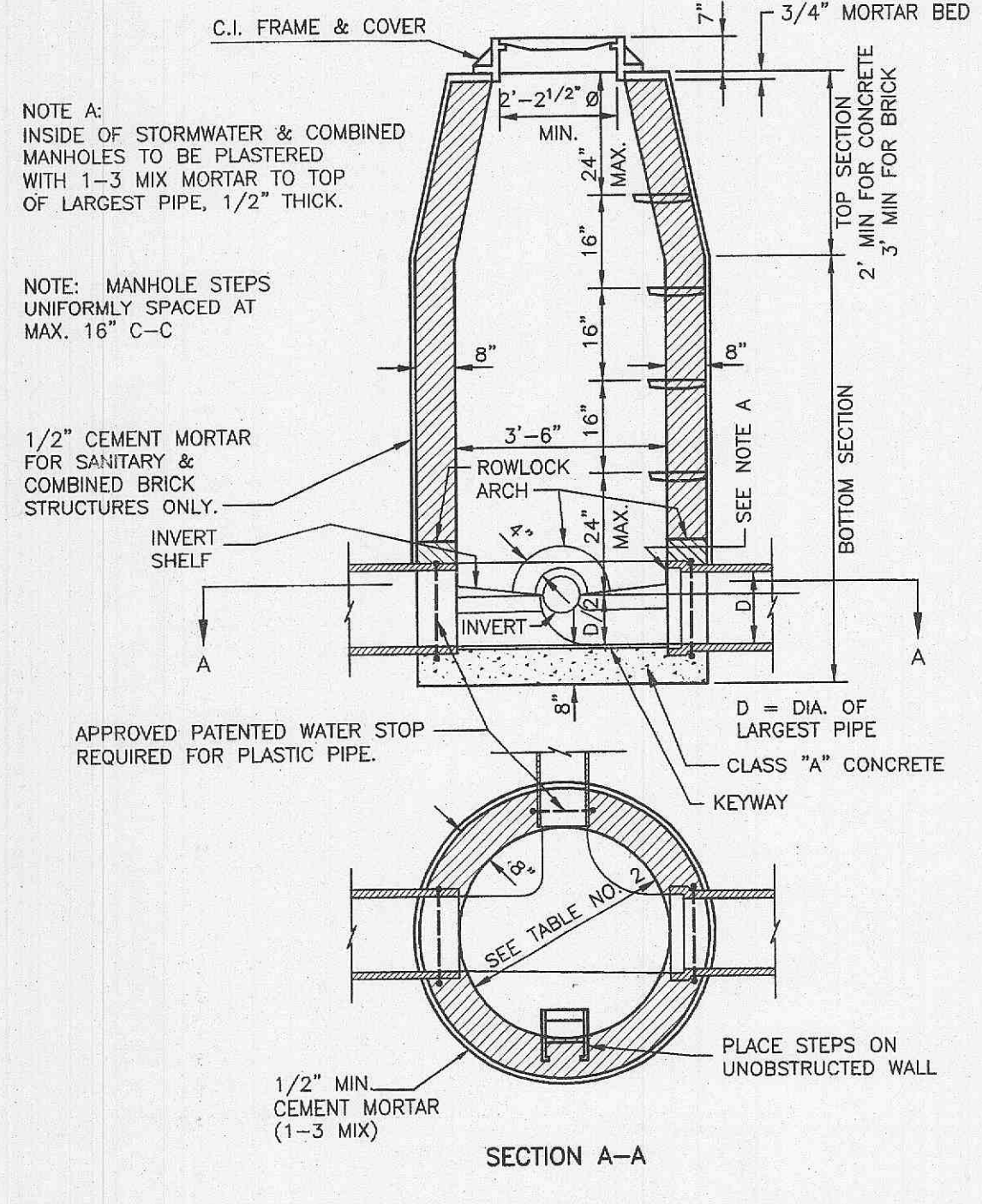
2 GRATE INLET



AREA INLET
(12" THRU 24")

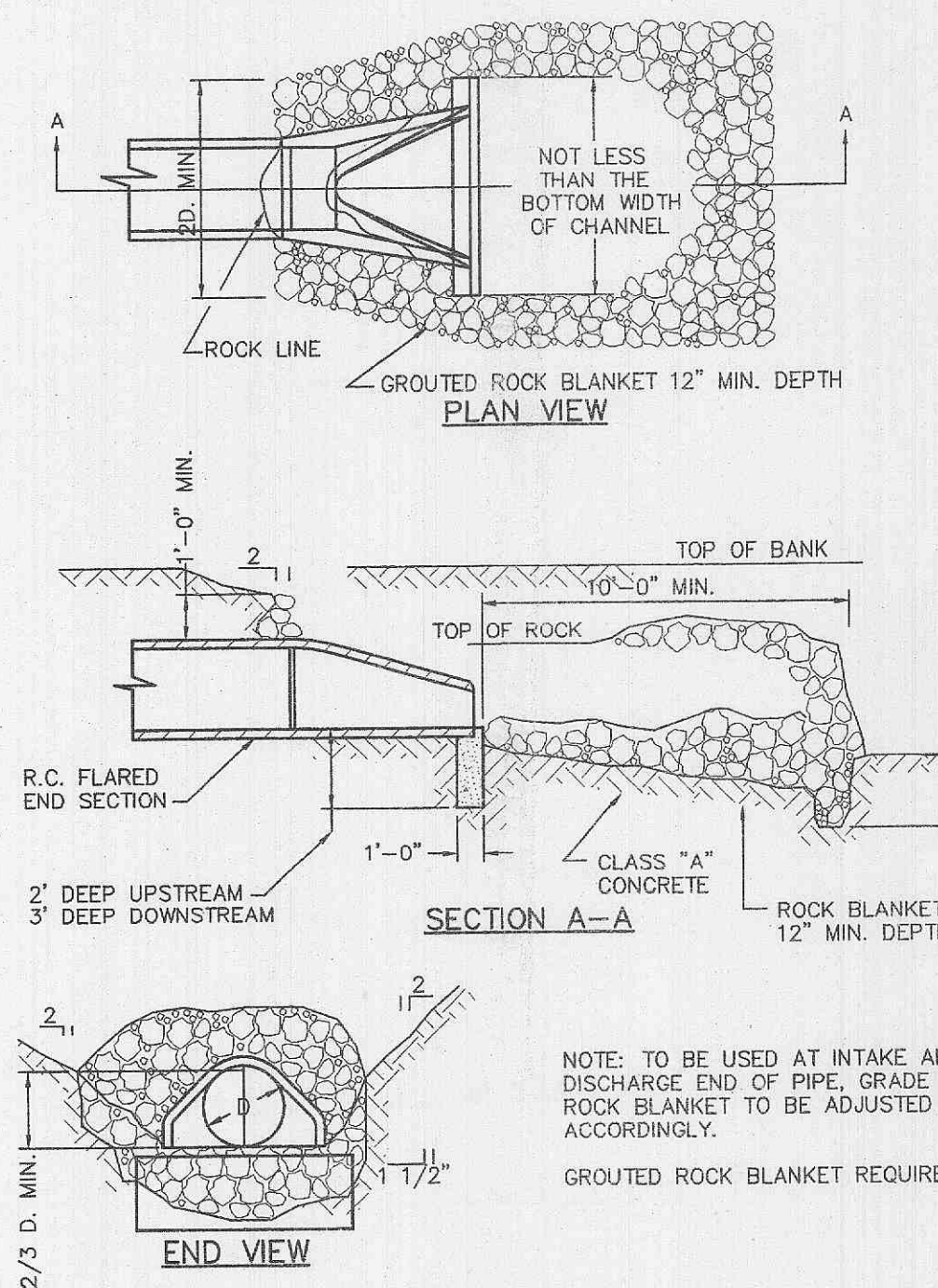


TERMINAL MANHOLE

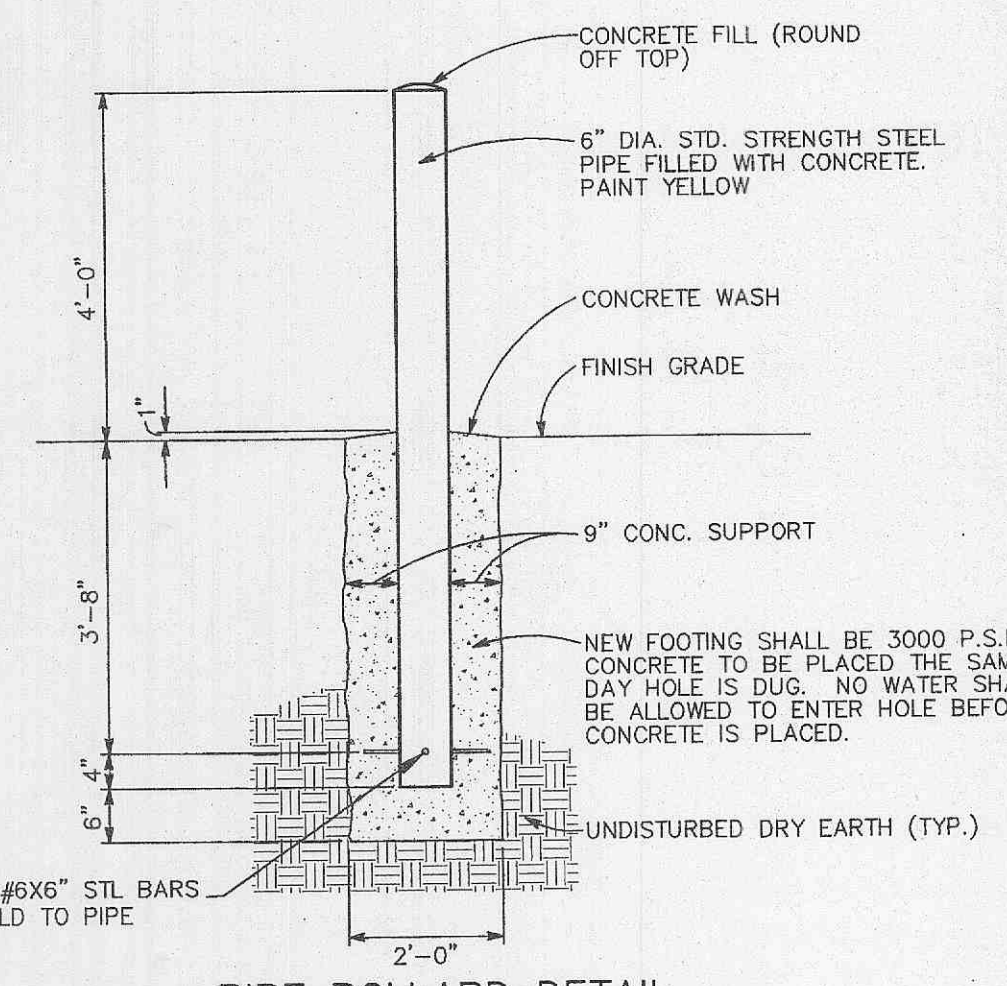


SECTION A-A

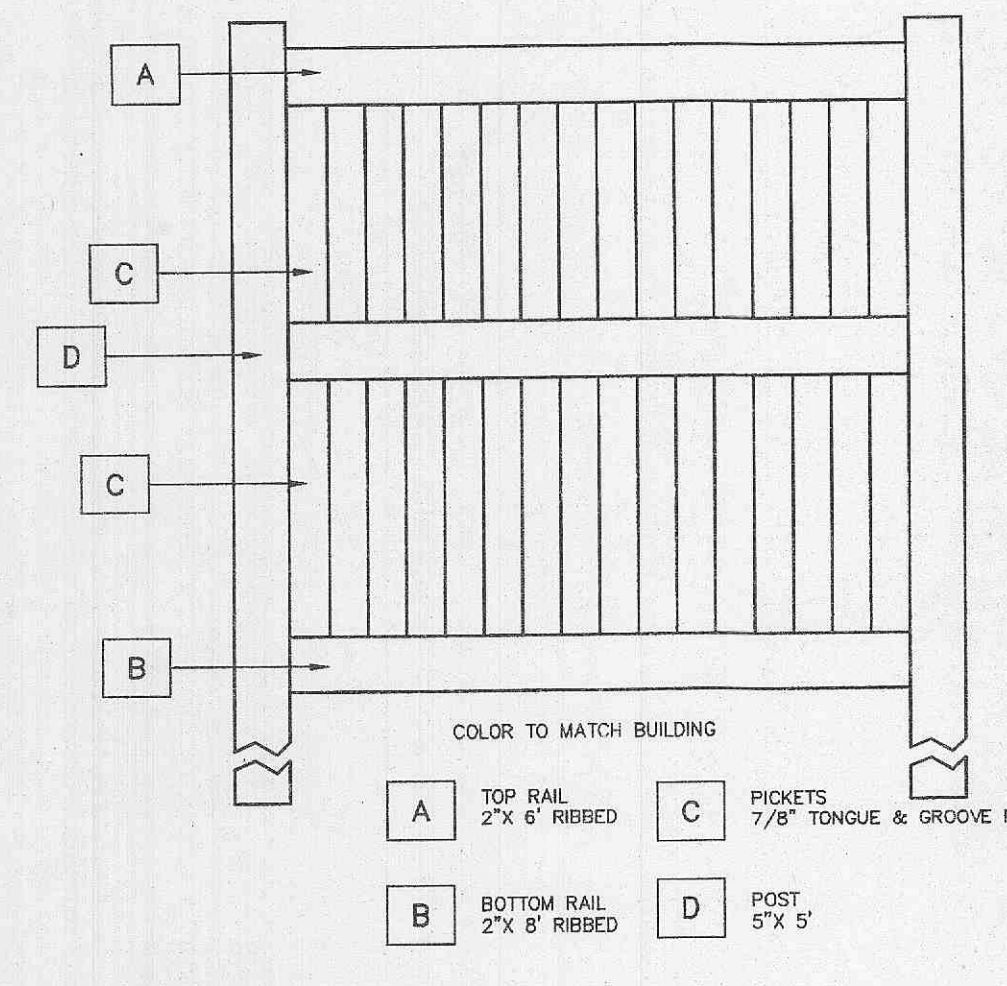
LINE MANHOLE
PIPE SEWERS 8"-24" DIA.



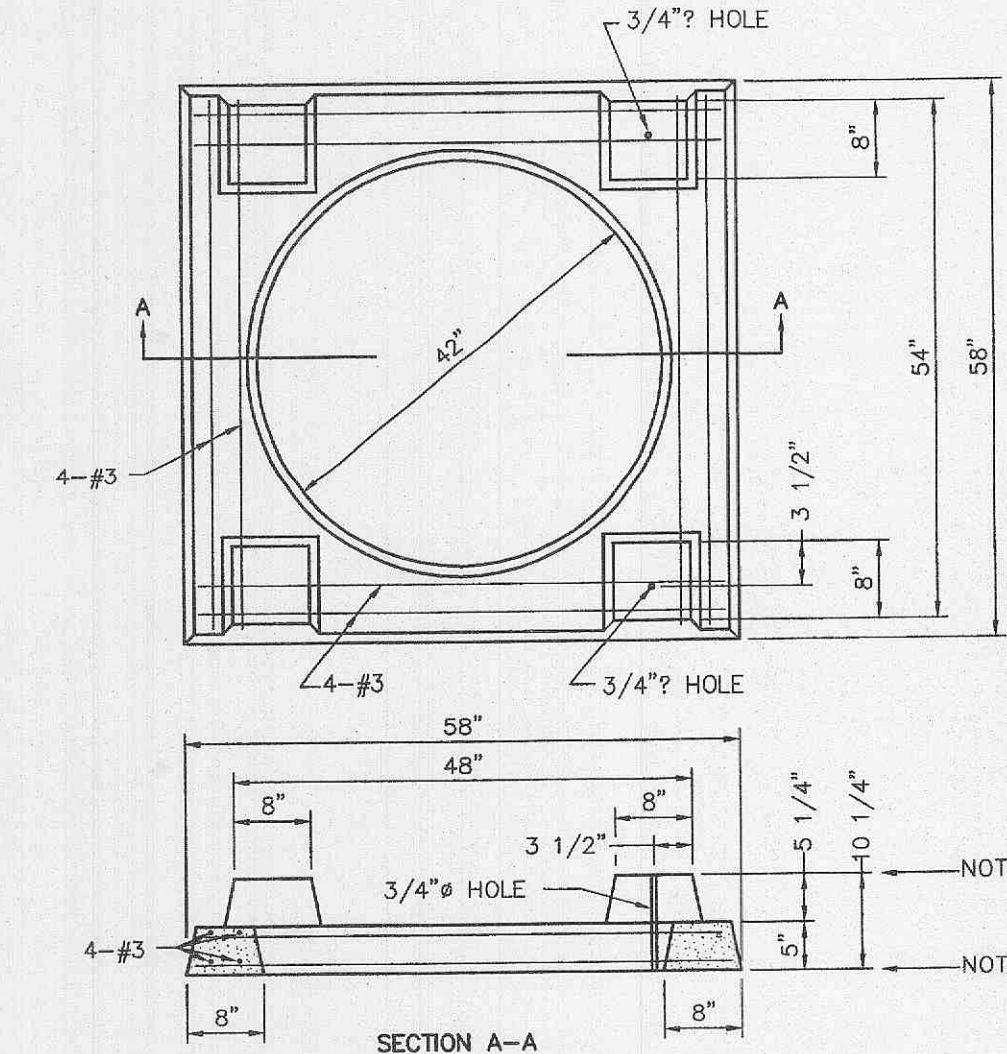
FLARED END SECTION



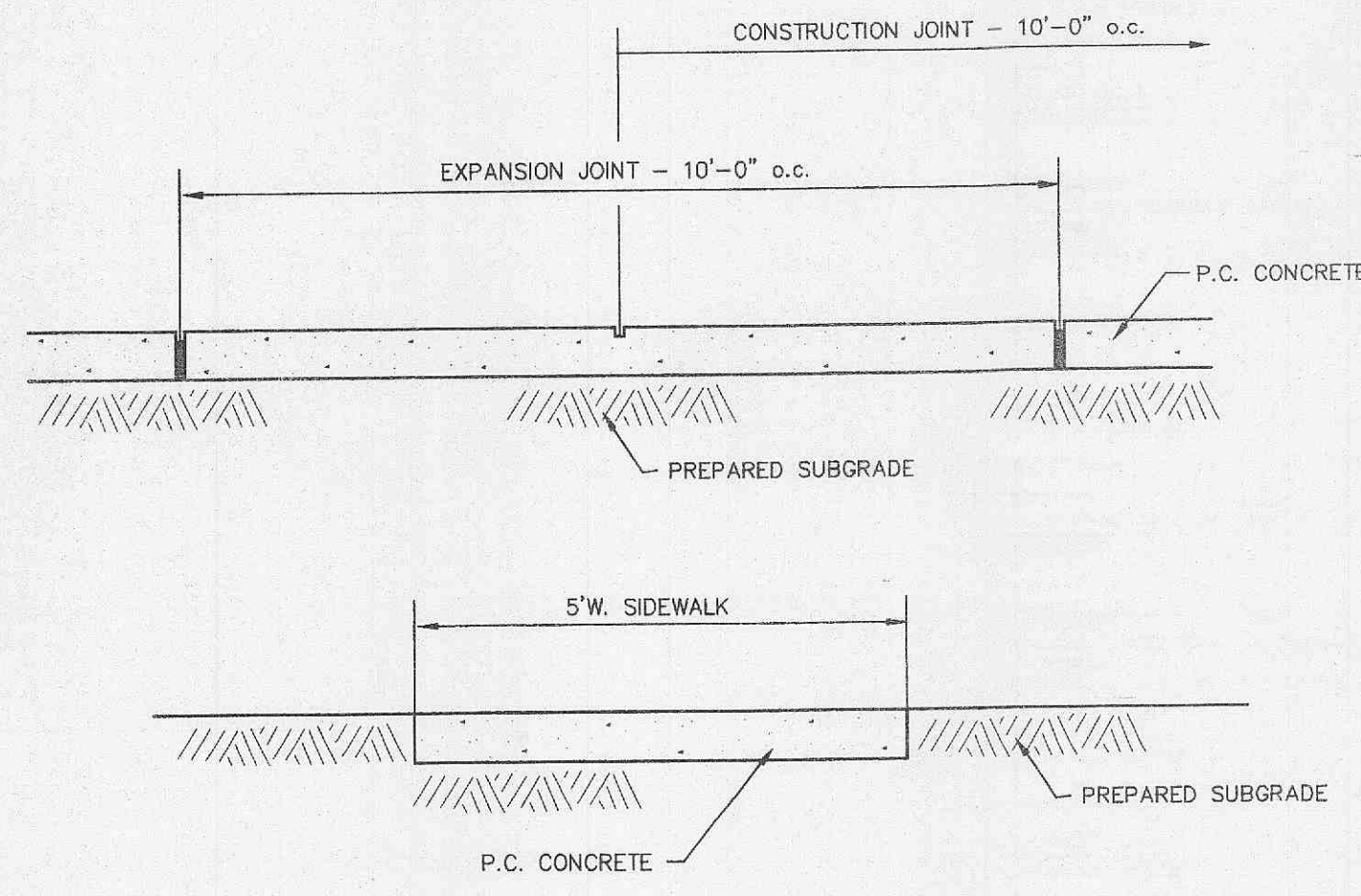
PIPE BOLLARD DETAIL
NOT TO SCALE



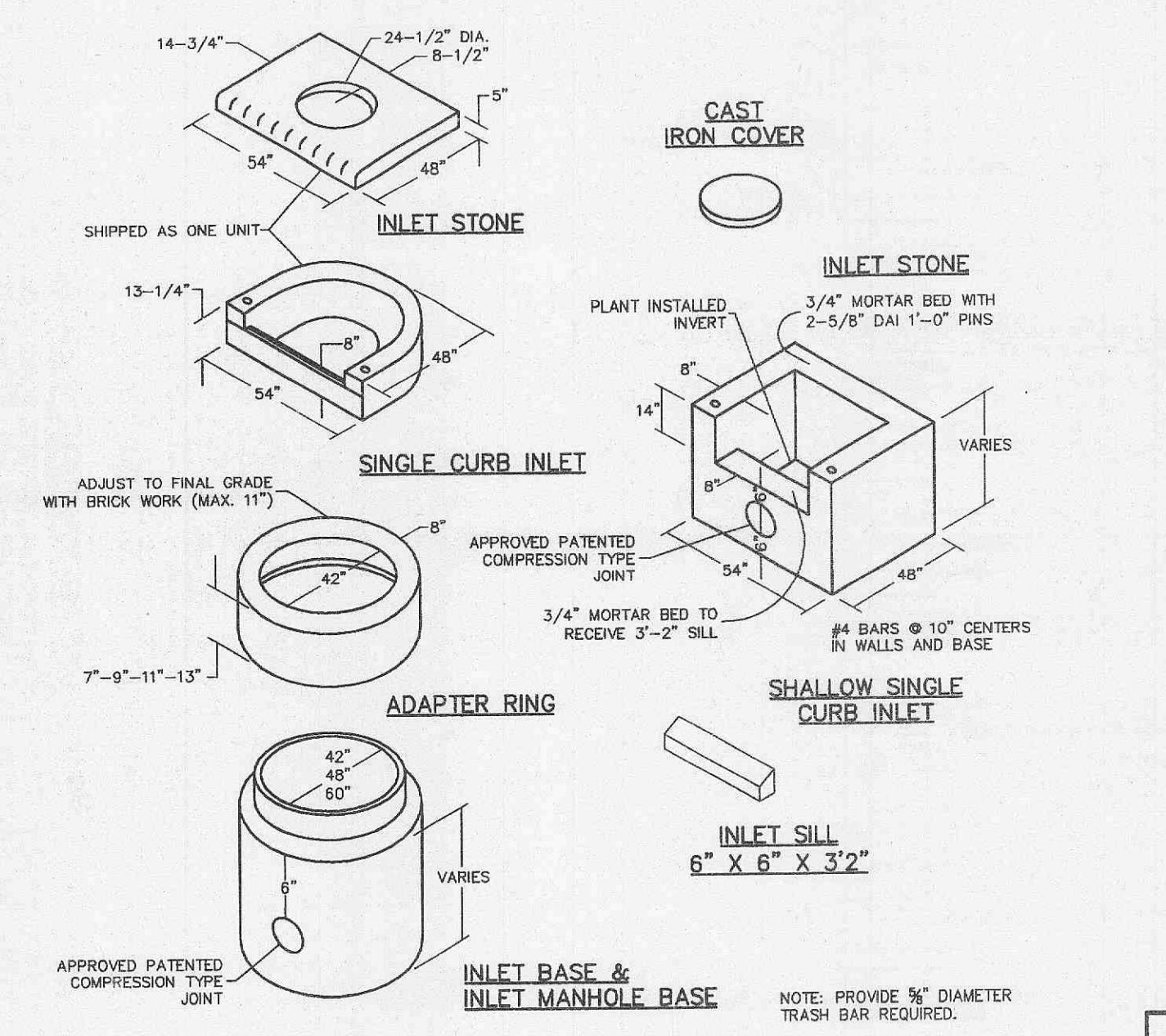
HVAC VINYL SCREENING FENCE DETAIL
NOT TO SCALE



PRECAST CONCRETE UNIT
FOR
4-WAY AREA INLET



CONCRETE SIDEWALK DETAIL
NOT TO SCALE



SINGLE STREET INLETS
PRECAST CONCRETE
NOT TO SCALE

E:\DWG\11000PLUS\11282L-PERUQUE RETAIL CENTER CONSTRUCTION\11282LCON.dwg, Detail (7), 8/23/2005 10:48:29 AM, I-1, Sta 36 SWR