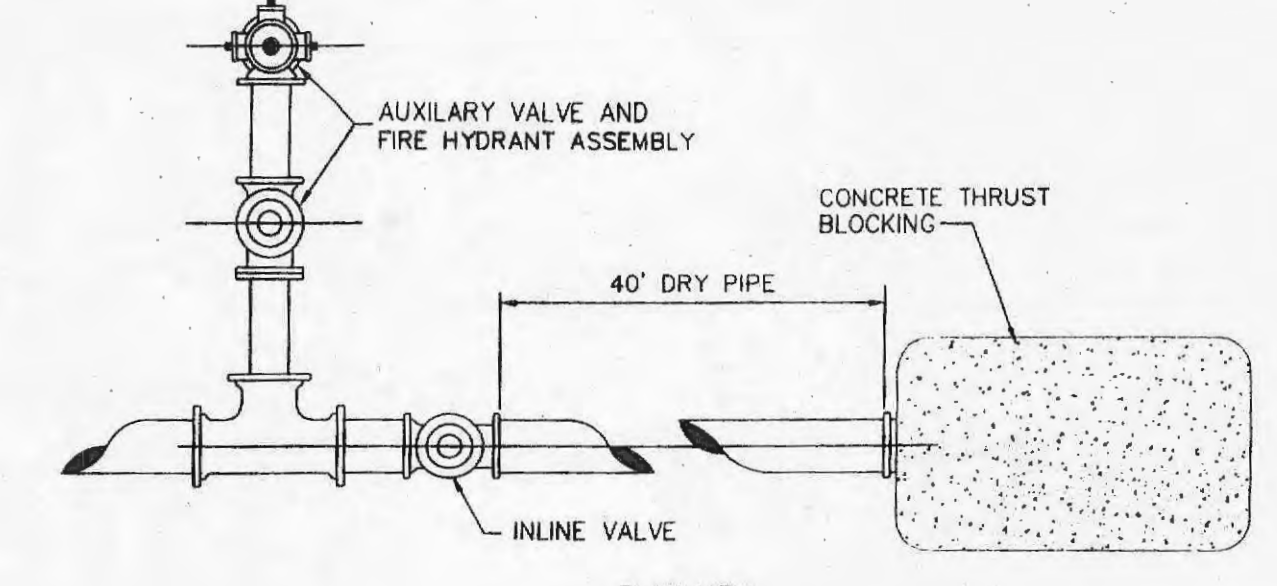
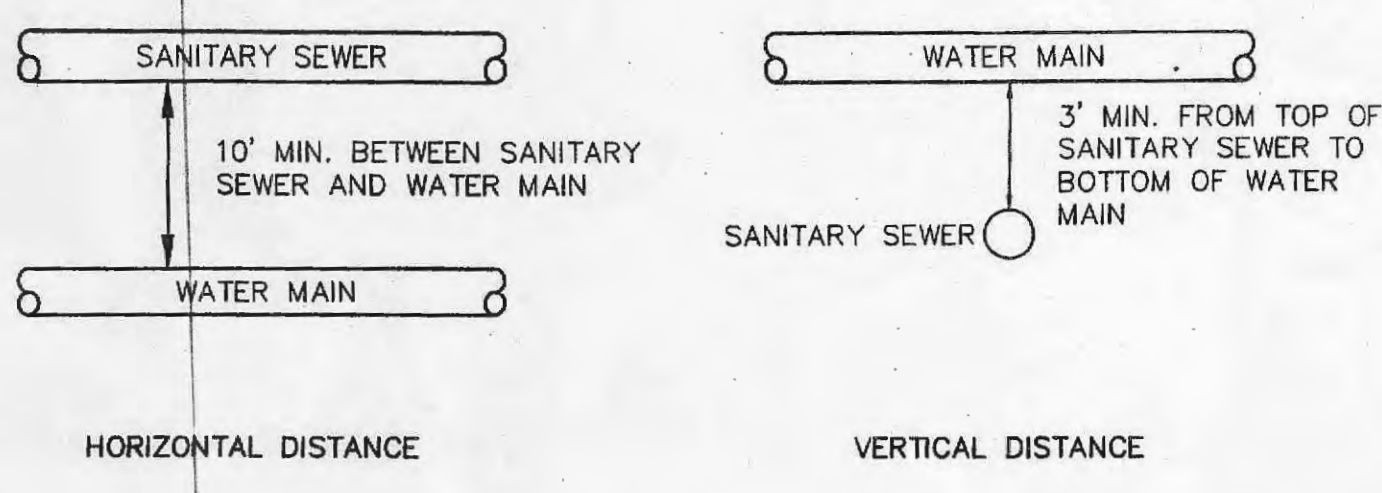
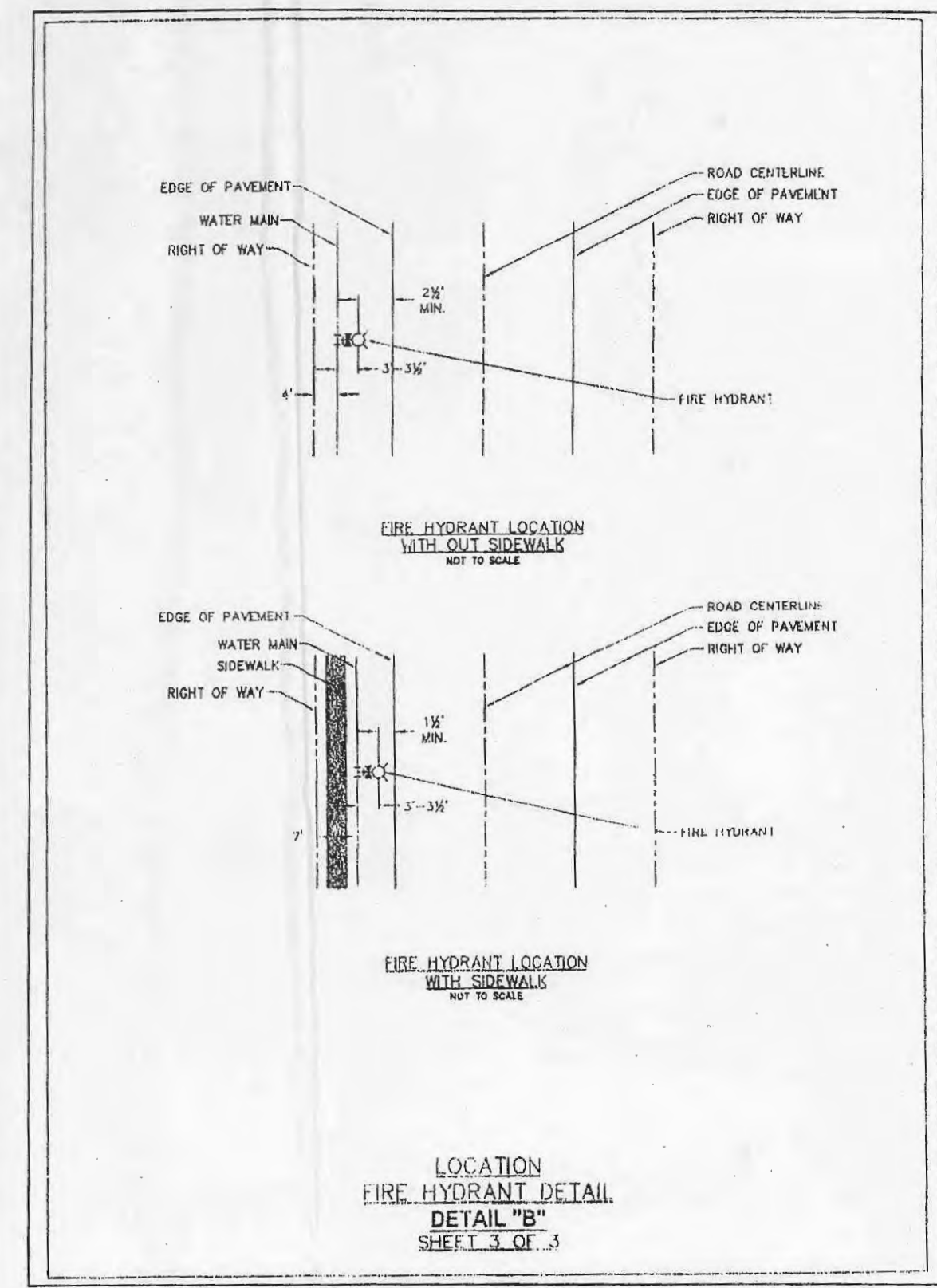
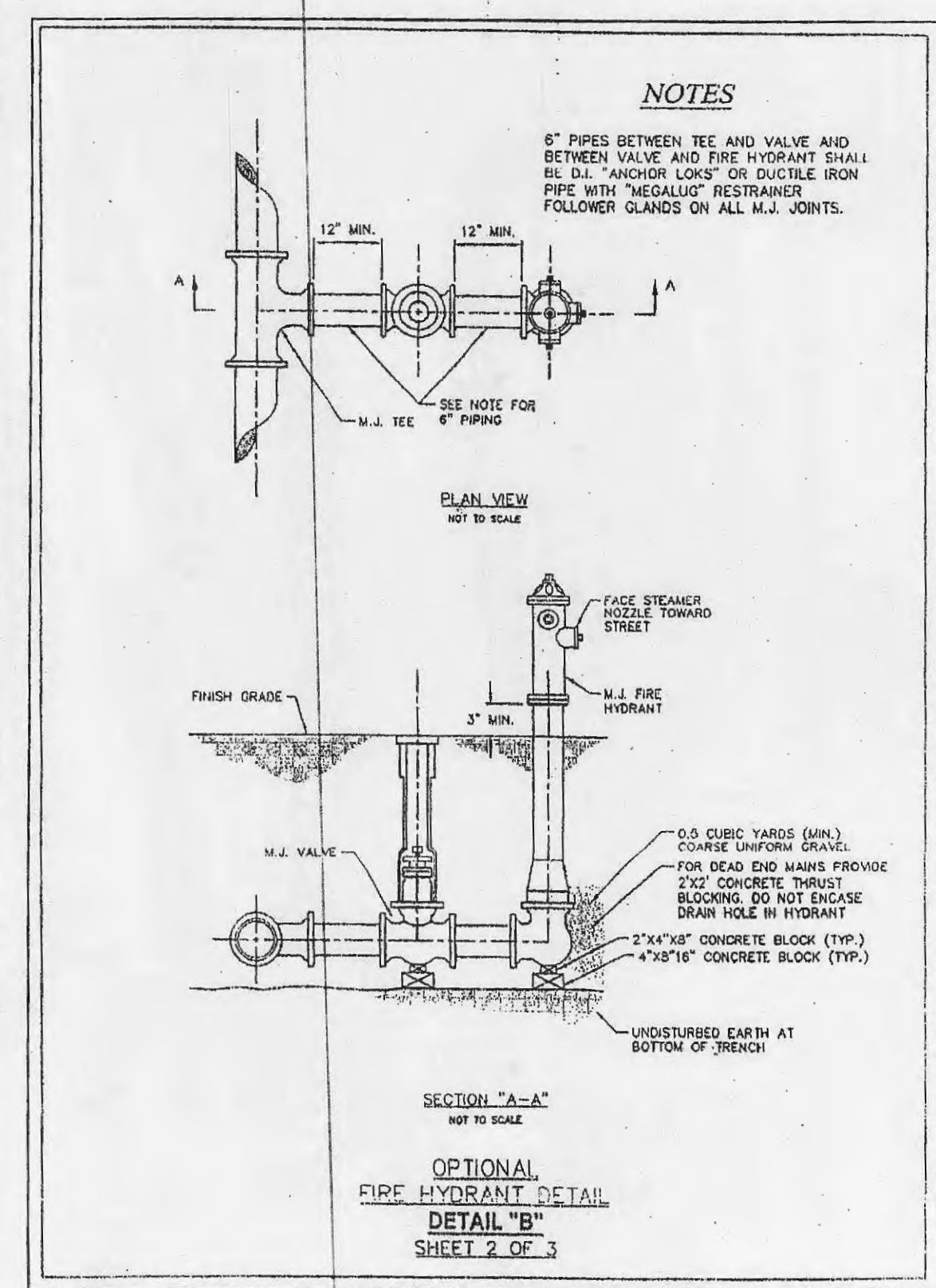
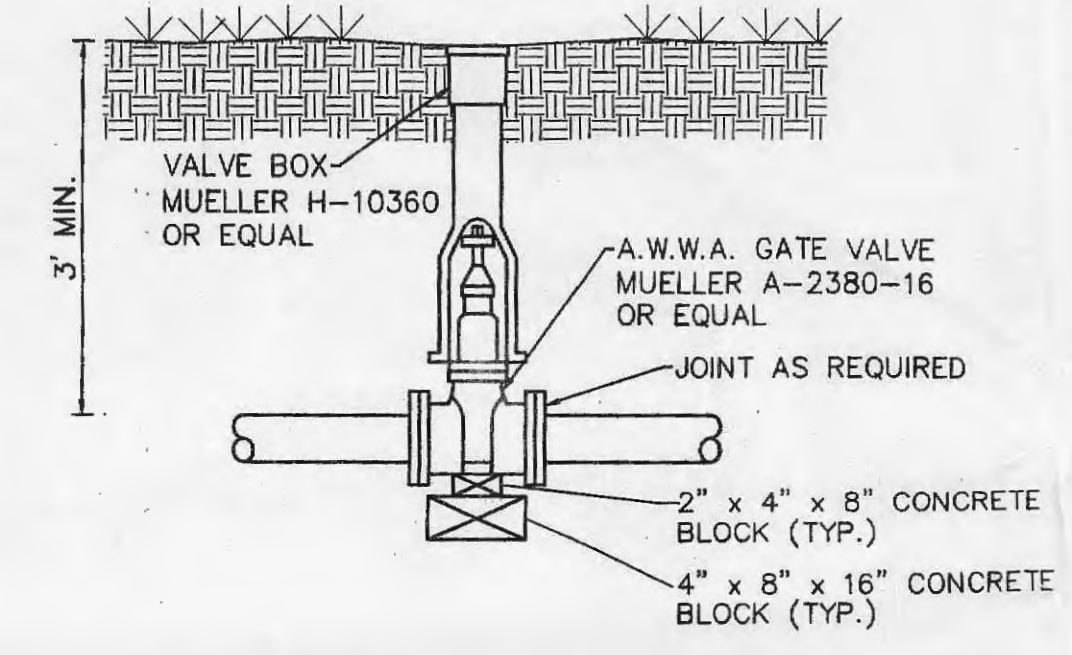
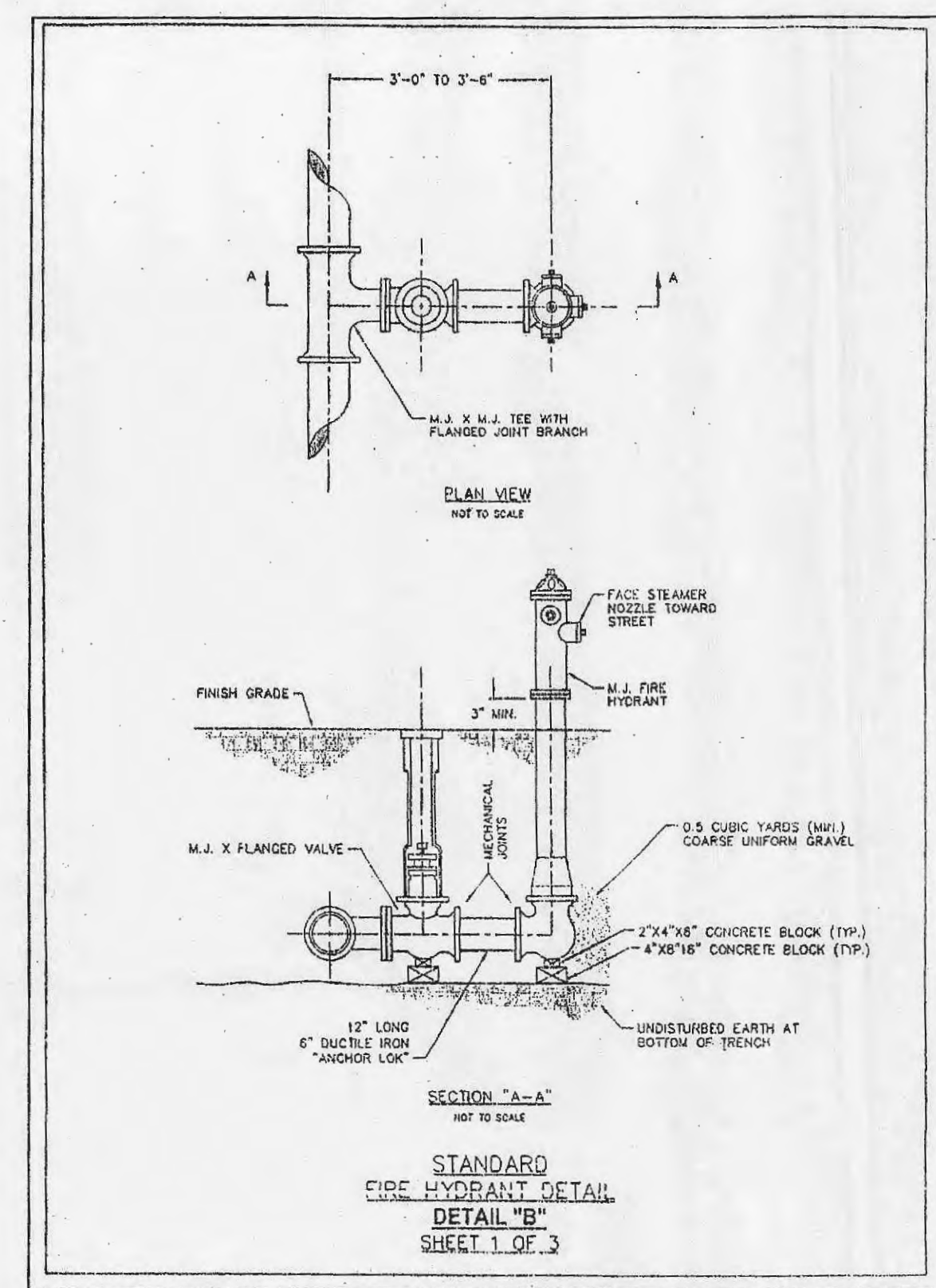


PIPE SIZE	DEGREE BEND	DOWN BENDS			UP BENDS		
		W	H	L	W	H	L
4"	11 1/4°	18	12	18	12	12	12
	22 1/2°	18	18	24	12	12	12
	45°	18	18	30	12	12	18
6"	11 1/4°	24	18	18	12	12	12
	22 1/2°	24	18	24	12	12	12
	45°	24	18	48	12	12	18
8"	11 1/4°	24	18	24	12	12	18
	22 1/2°	24	18	42	12	12	24
	45°	24	18	48	18	12	24
10"	11 1/4°	30	24	24	18	18	18
	22 1/2°	30	24	42	18	18	24
	45°	30	24	72	18	18	36
12"	11 1/4°	30	24	30	18	18	18
	22 1/2°	30	24	54	18	18	30
	45°	30	36	72	24	18	36

**DIMENSIONS FOR VERTICAL BENDS
 (IN INCHES)
 DETAIL "D"
 PAGE 2 OF 2**



**TYPICAL WATER MAIN
 TERMINATION DETAIL**
 NOT TO SCALE

