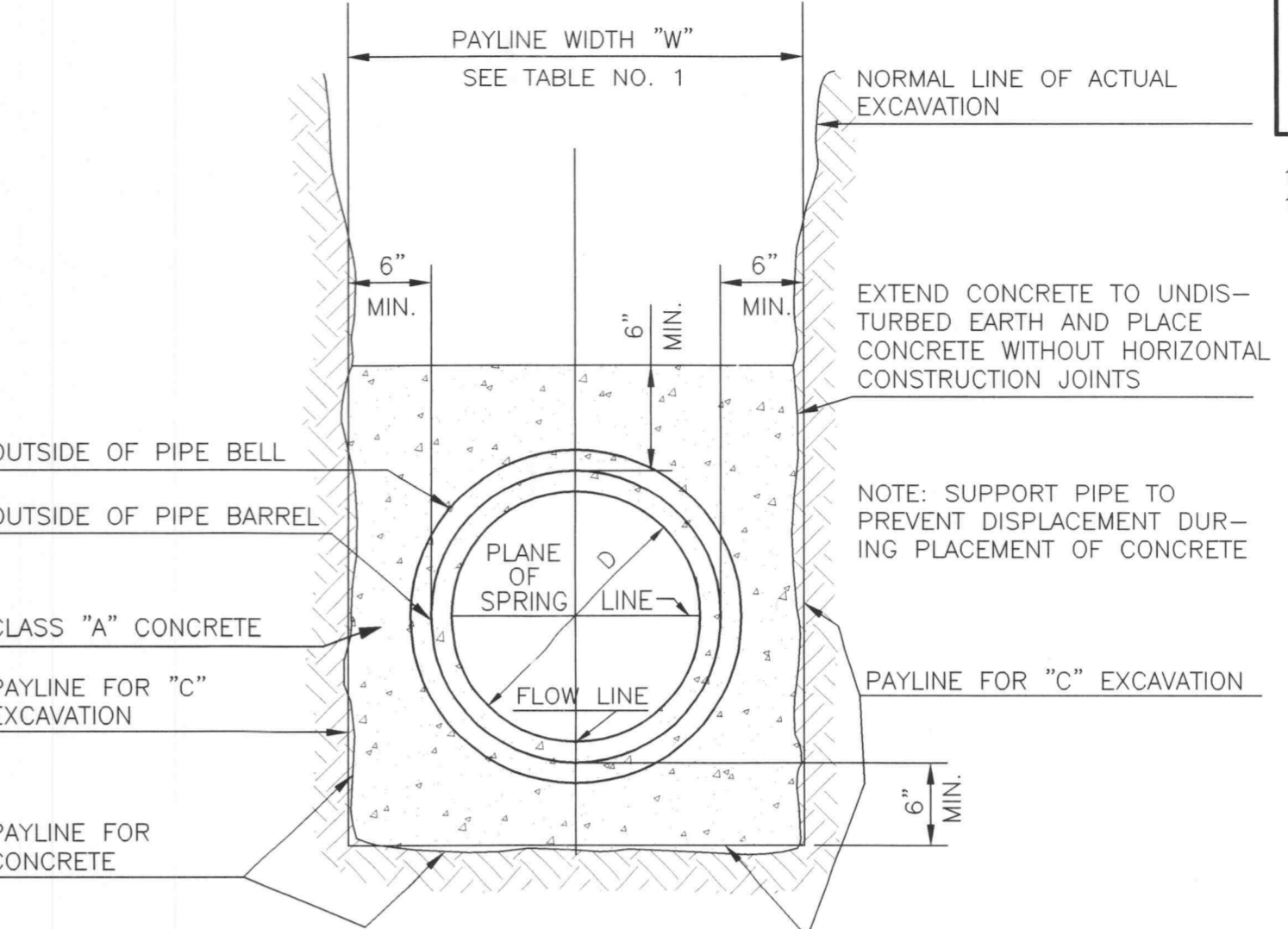
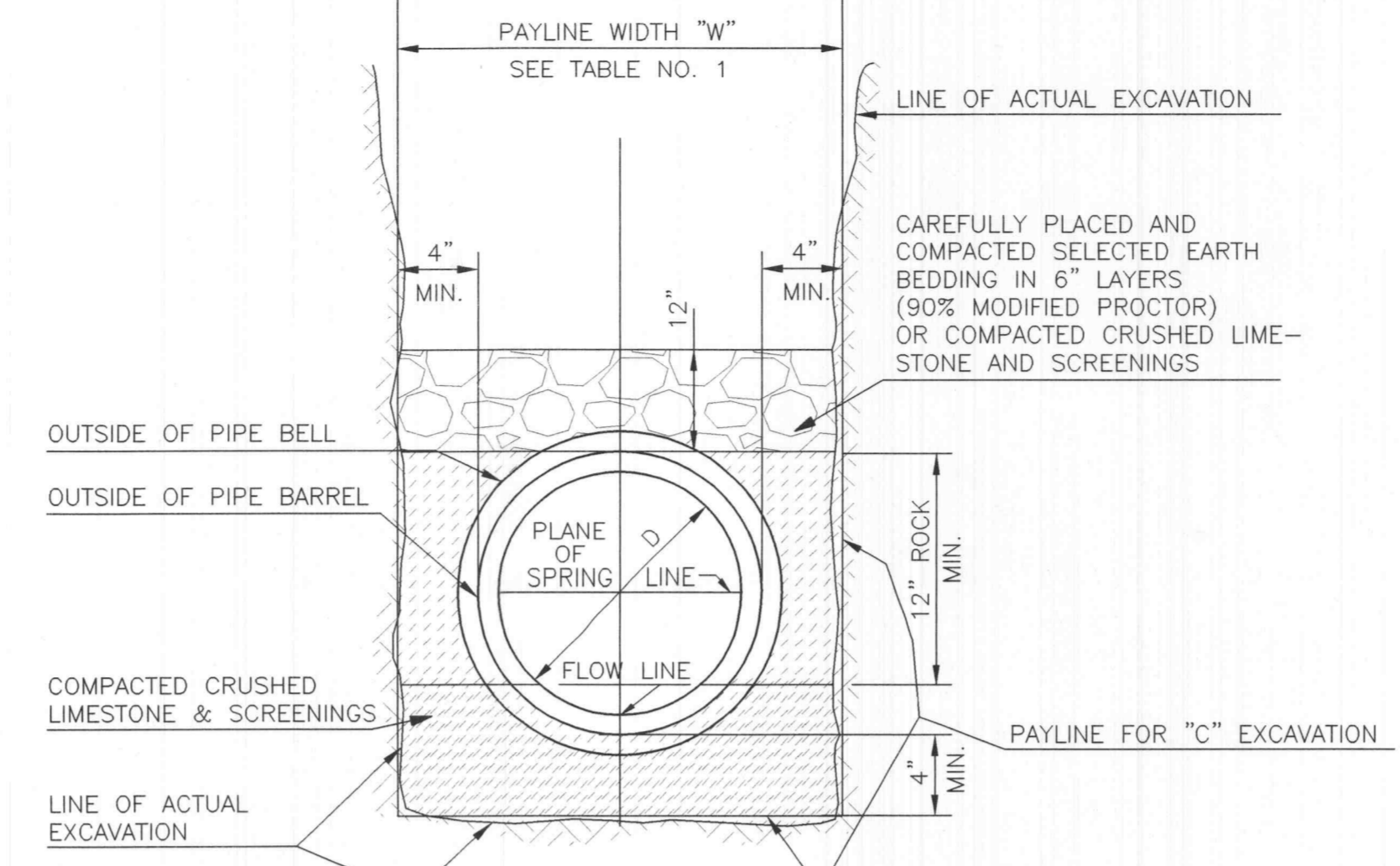
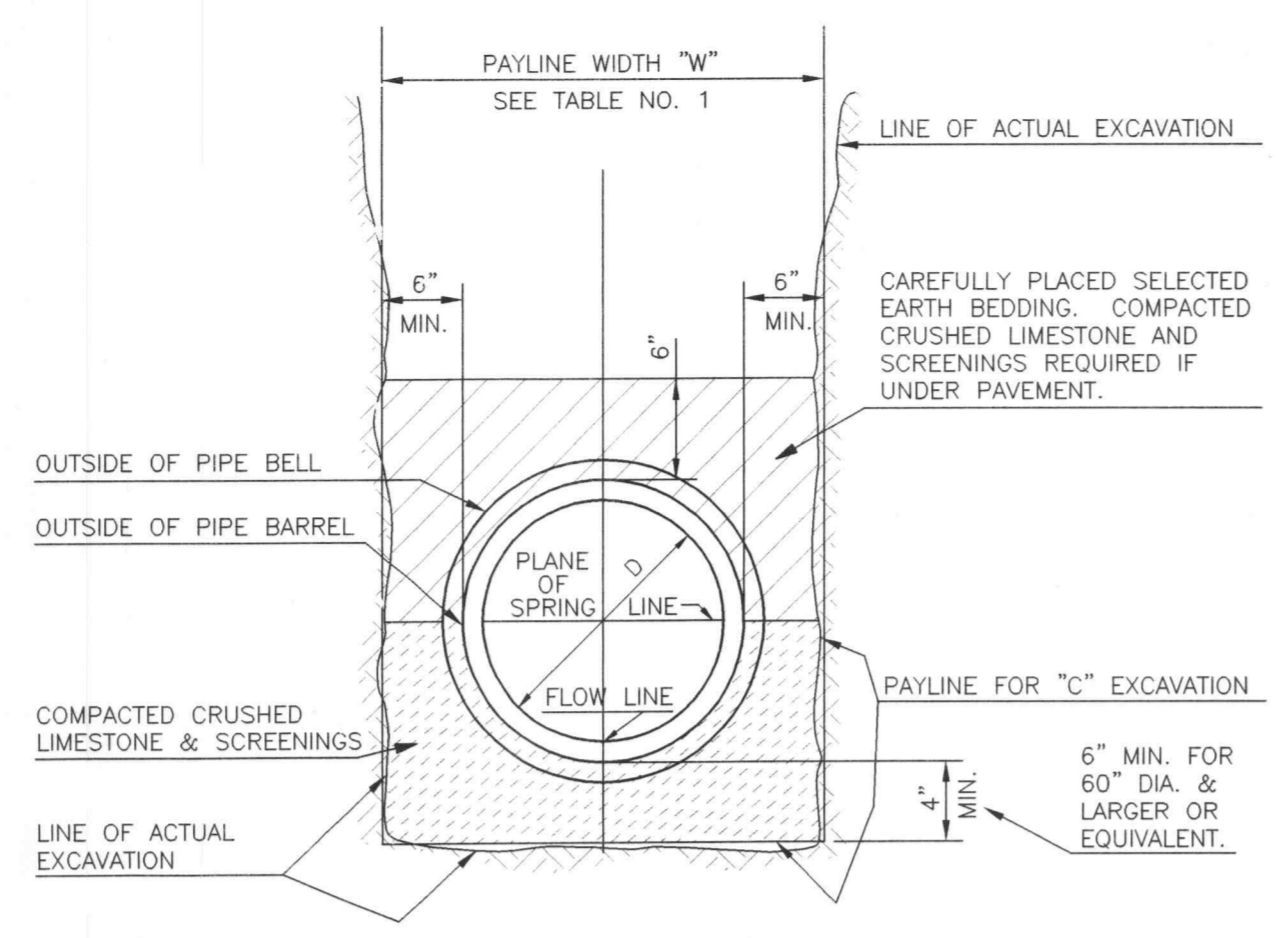


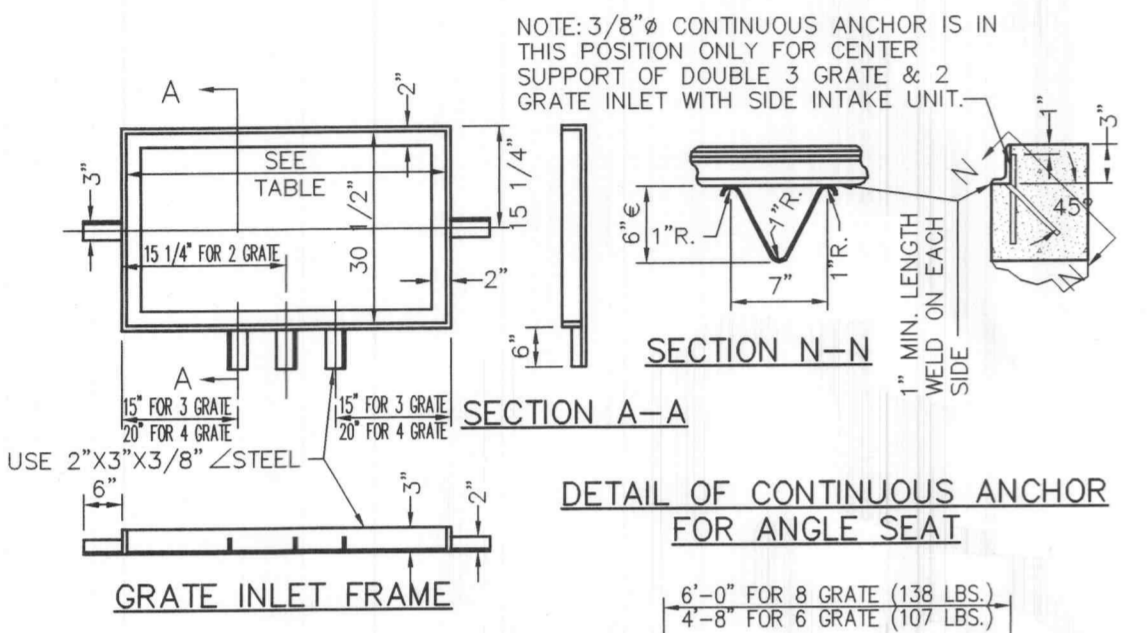
ROUND PIPE				HORIZONTAL ELLIPTICAL PIPE			
Inside Diameter of Pipe (Inches)	Payline Width of Trench (Inches)	Payline Width of Trench (Feet)	Pay-volumes cu. ft. per ft. Concrete Encasement	Inside Diameter of Pipe (Inches)	Payline Width of Trench (Inches)	Payline Width of Trench (Feet)	Pay-volumes cu. ft. per ft. Concrete
4	28	2.33	3.20				
6	28	2.33	3.46				
8	28	2.33	3.70				
10	28	2.33	3.86				
12	28	2.33	3.98				
15	32	2.67	4.89				
18	35	2.92	5.63	14 X 23	41	3.42	5.94
21	39	3.25	6.61				
24	42	3.50	7.39	19 X 30	49	4.08	7.68
27	45	3.75	8.18	22 X 34	53	4.42	8.61
30	49	4.08	9.30	24 X 38	58	4.83	9.70
33	53	4.42	10.53	27 X 42	62	5.17	10.71
36	56	4.67	11.43	29 X 45	66	5.50	11.72
39	D I S C O N T I N U E D			32 X 49	71	5.92	13.14
42	63	5.25	13.38	34 X 53	75	6.25	14.05
48	70	5.83	15.67	38 X 60	83	6.92	16.18

TABLE NO. 1
 PAYLINE WIDTHS OF TRENCH AND
 PAY-QUANTITIES OF CONCRETE

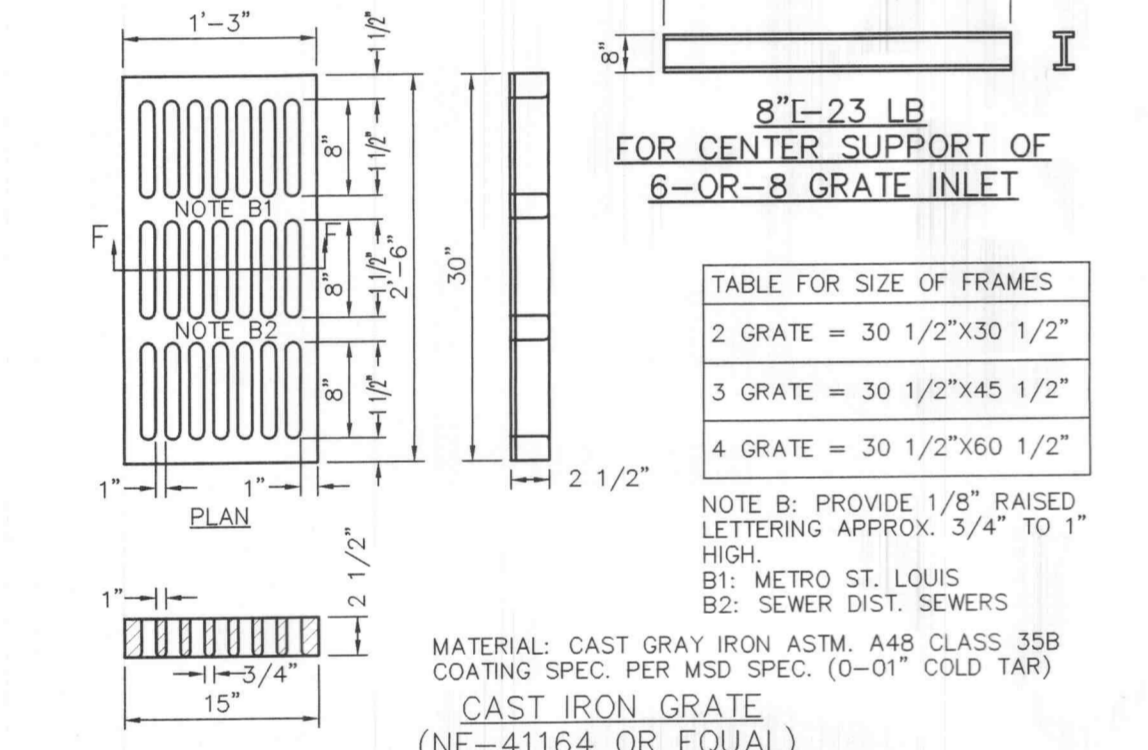


CONCRETE ENCASEMENT

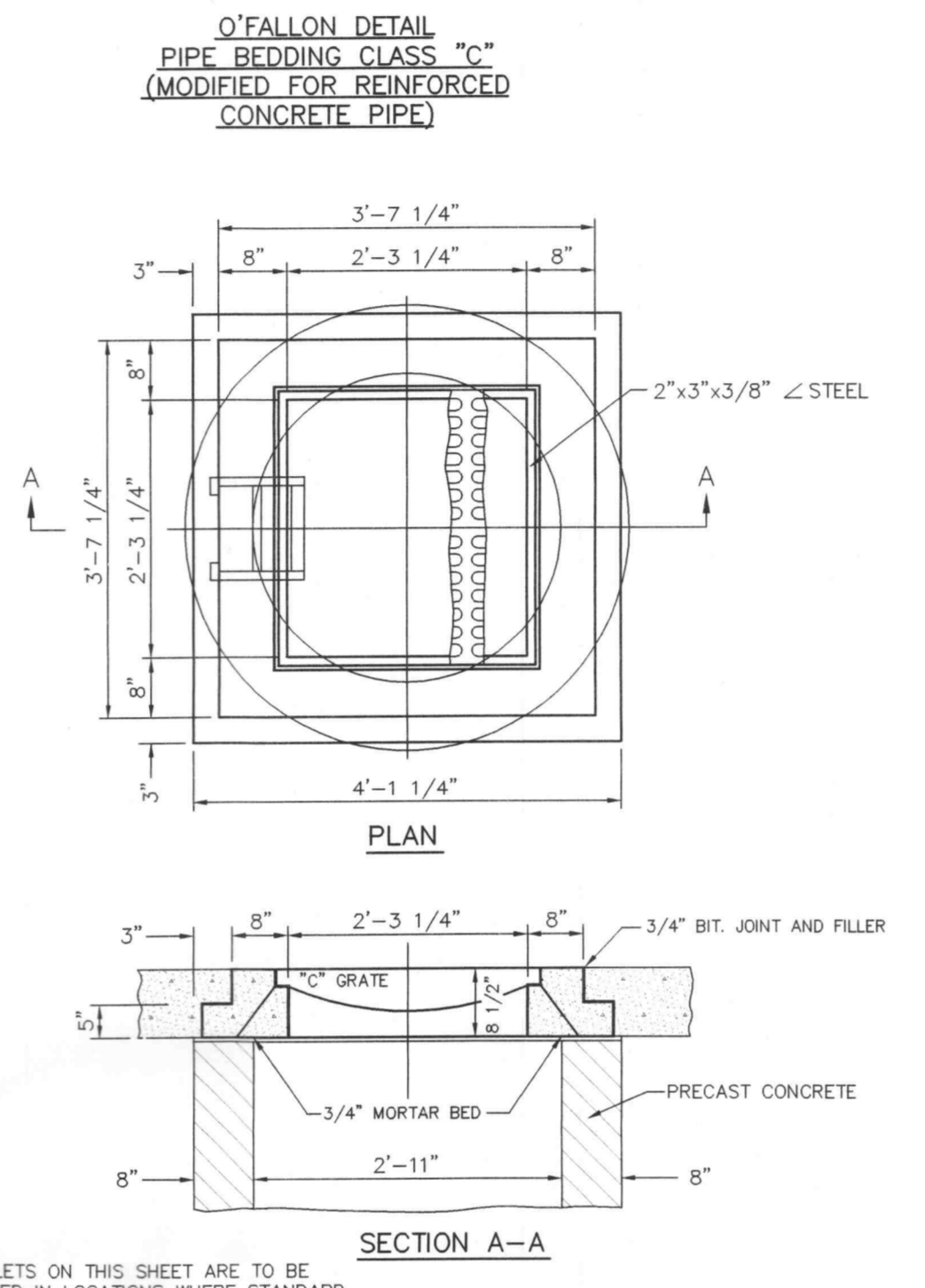
PIPE BEDDING CLASS "C"
 (FOR ALL PIPE EXCEPT
 REINFORCED CONCRETE PIPE)



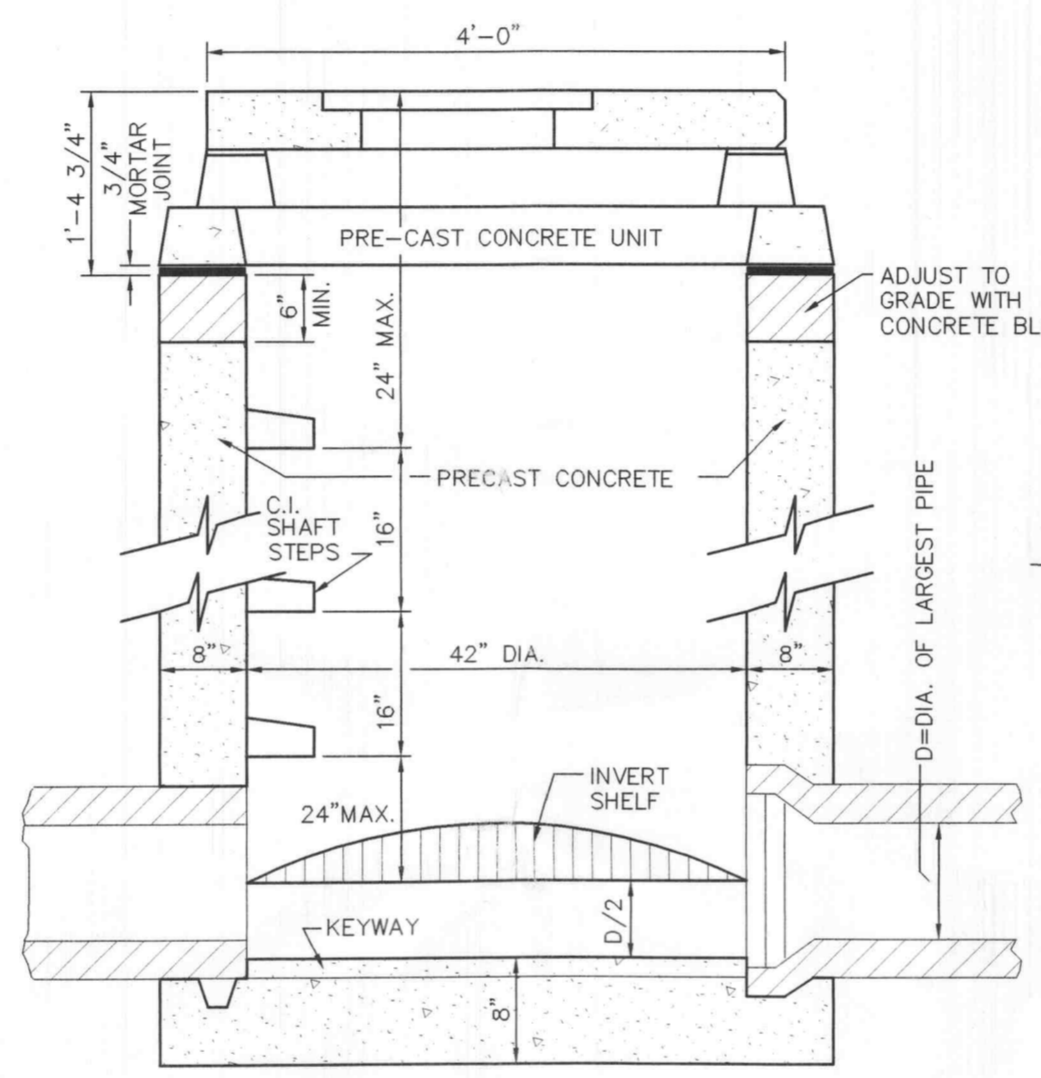
DETAIL OF CONTINUOUS ANCHOR
 FOR ANGLE SEAT



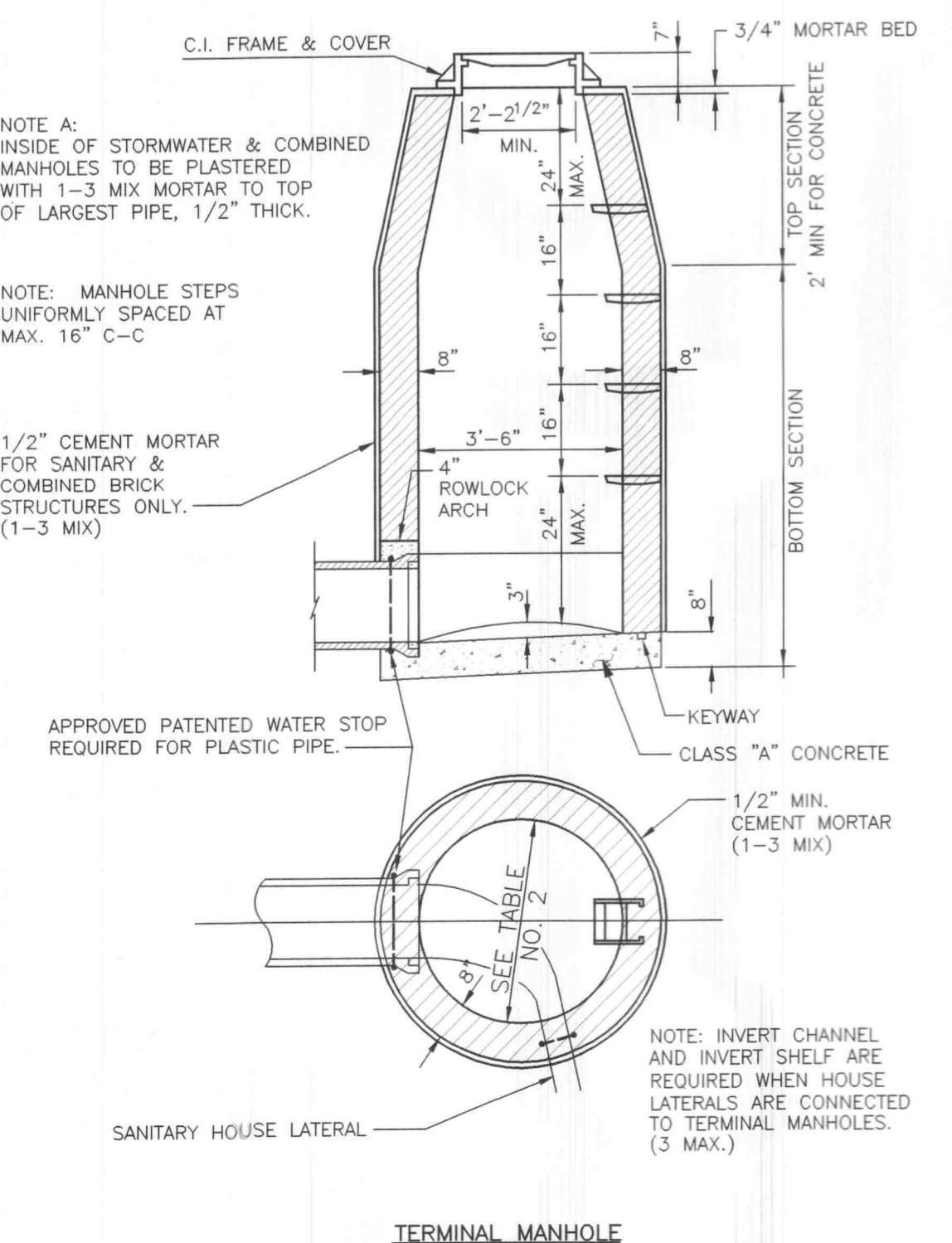
DETAILS OF INLET
 FRAME AND GRATES



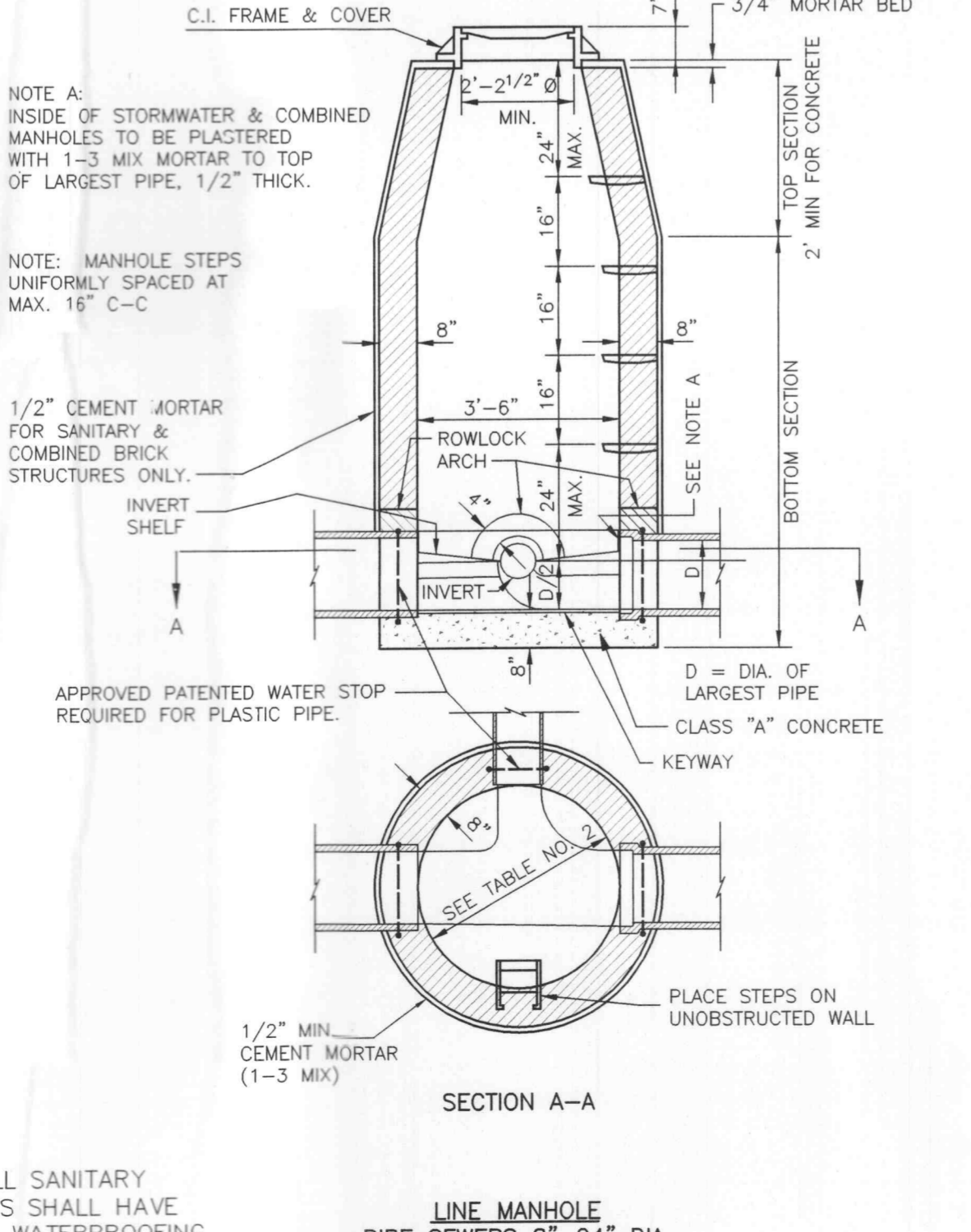
2 GRATE INLET



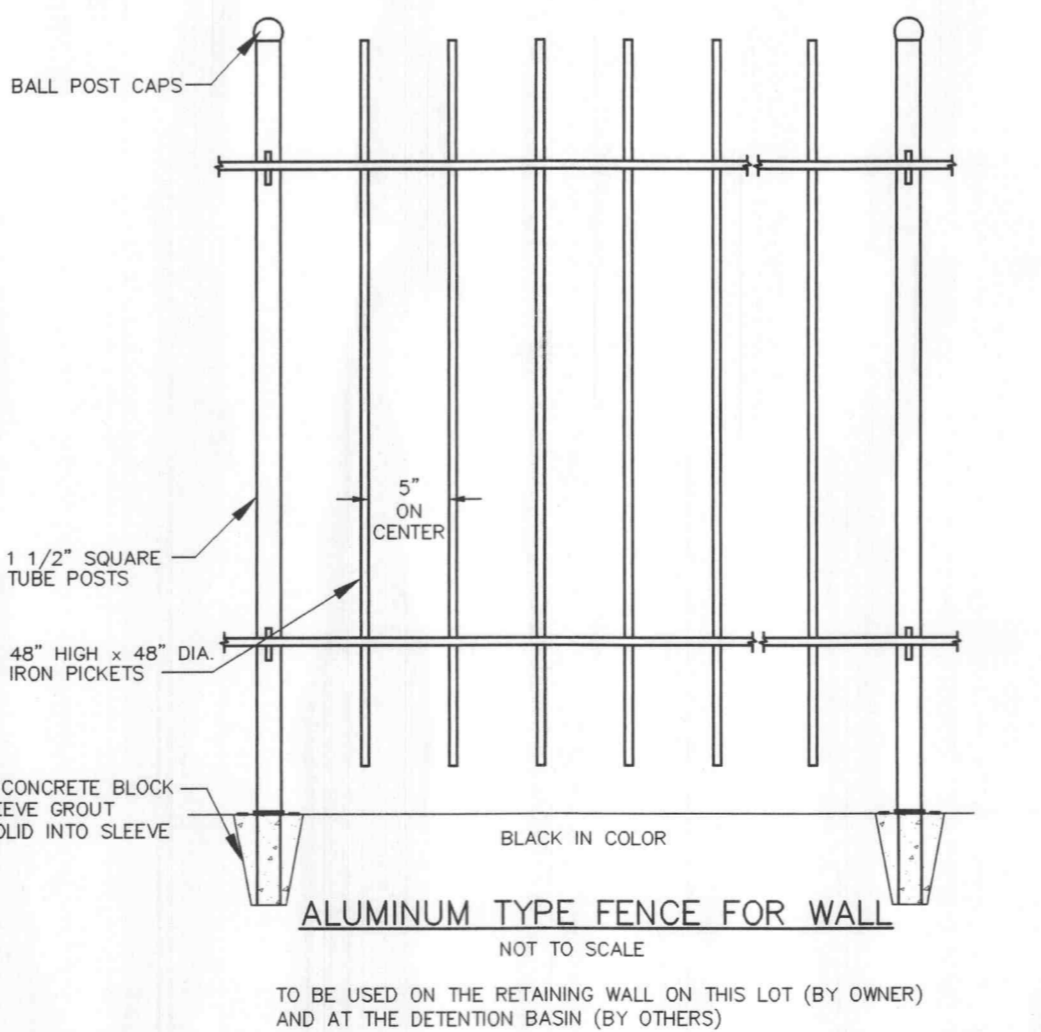
AREA INLET
 (12" THRU 24")



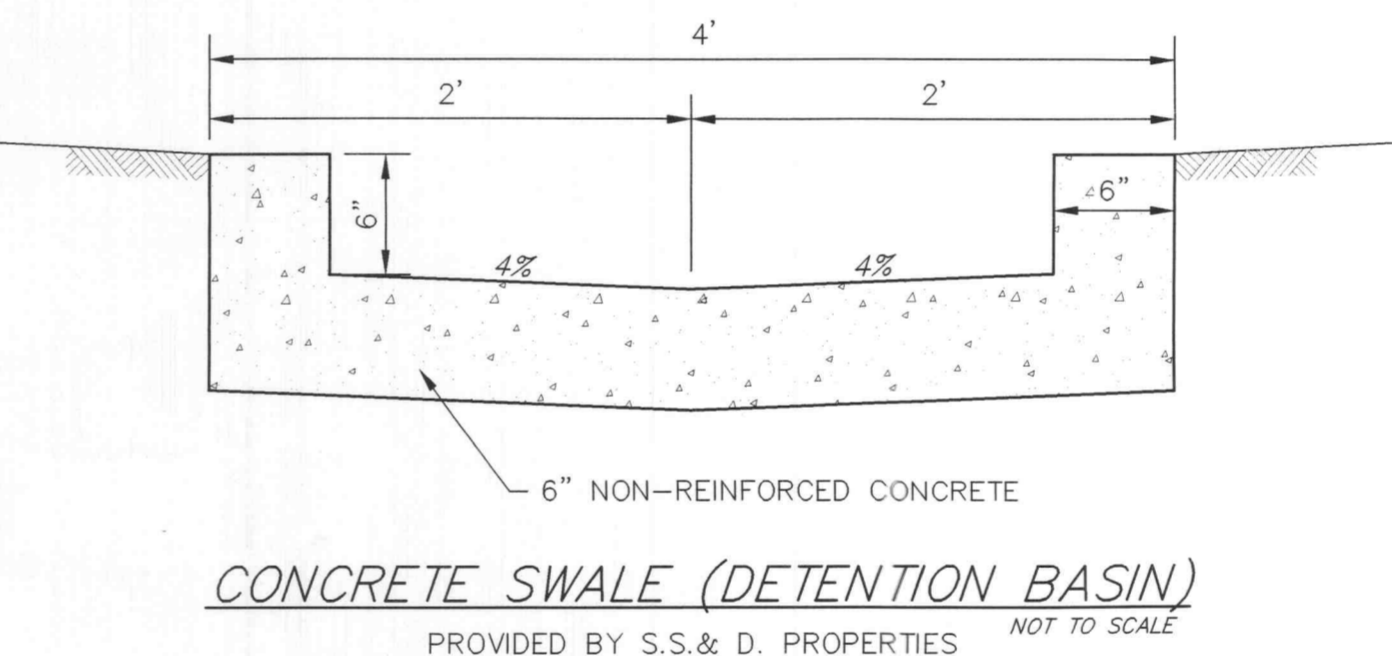
TERMINAL MANHOLE



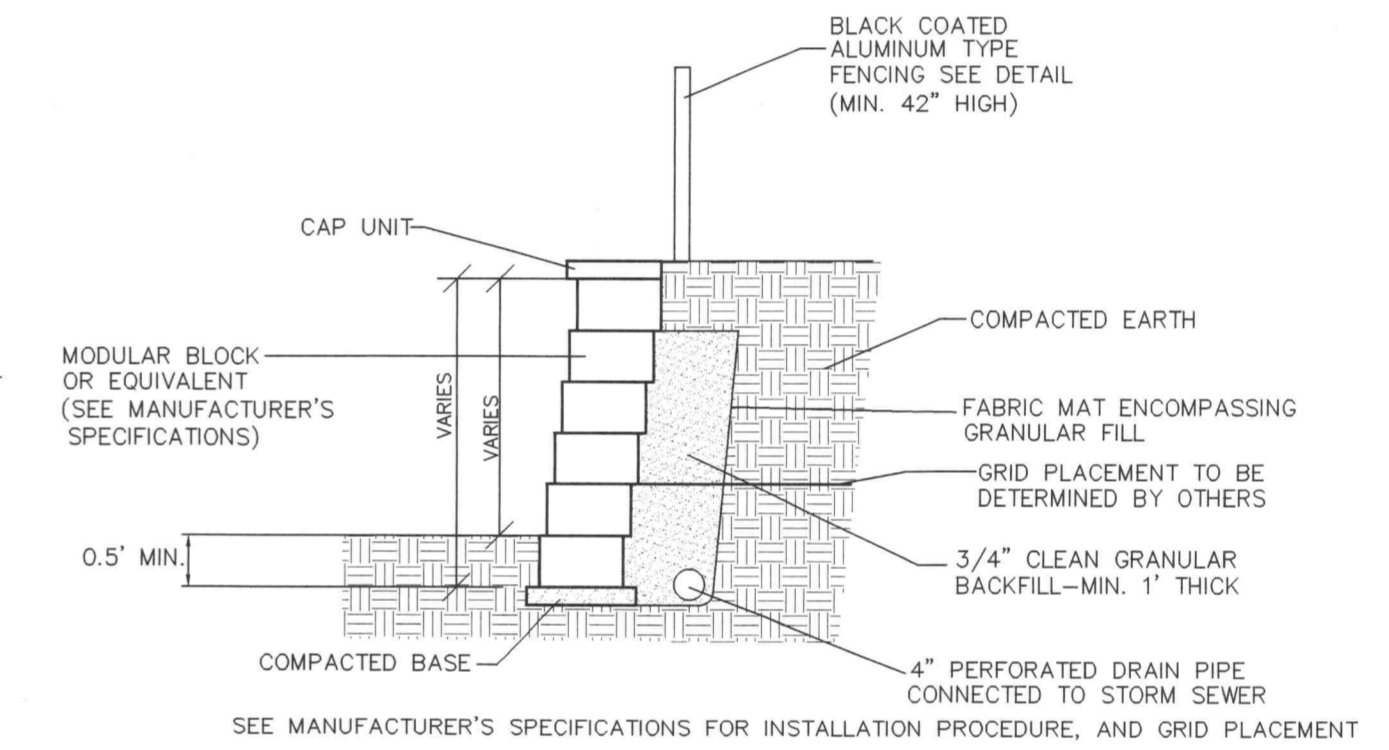
SECTION A-A
 LINE MANHOLE
 PIPE SEWERS 8"-24" DIA.



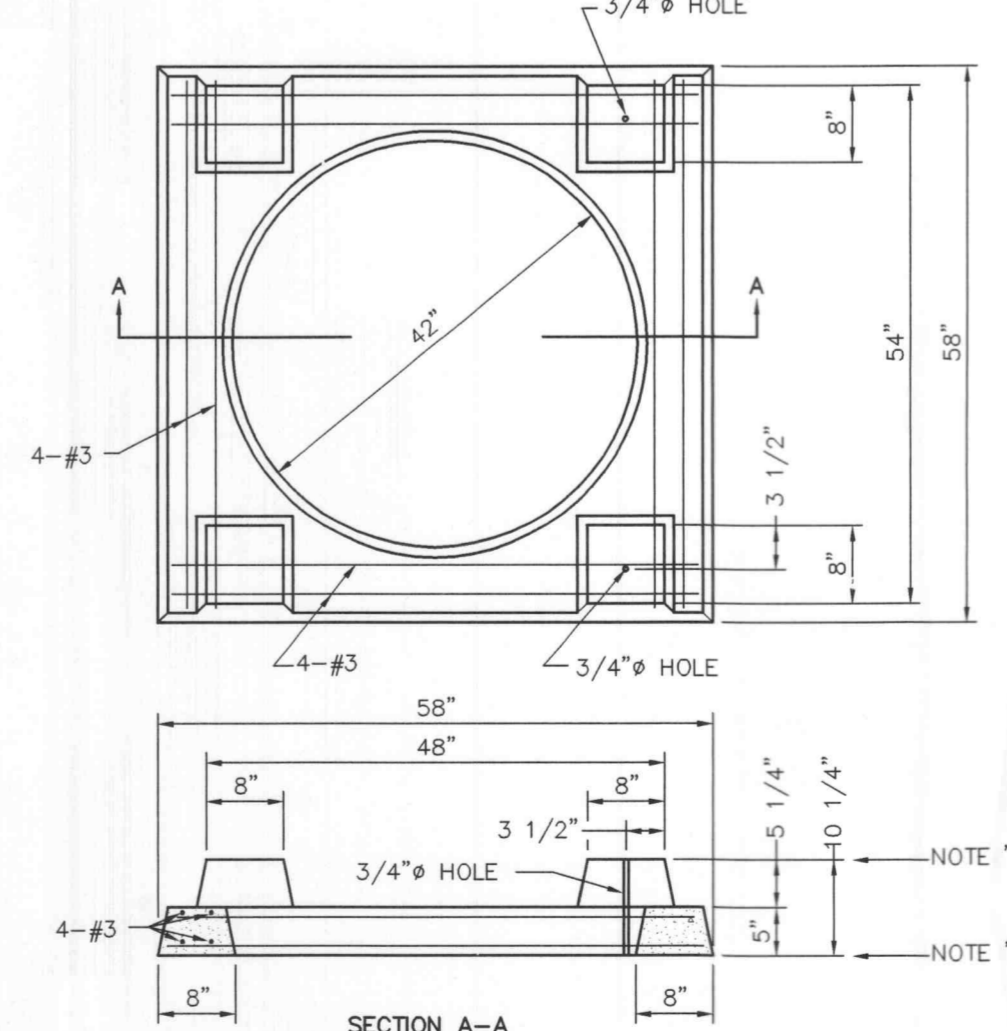
ALUMINUM TYPE FENCE FOR WALL



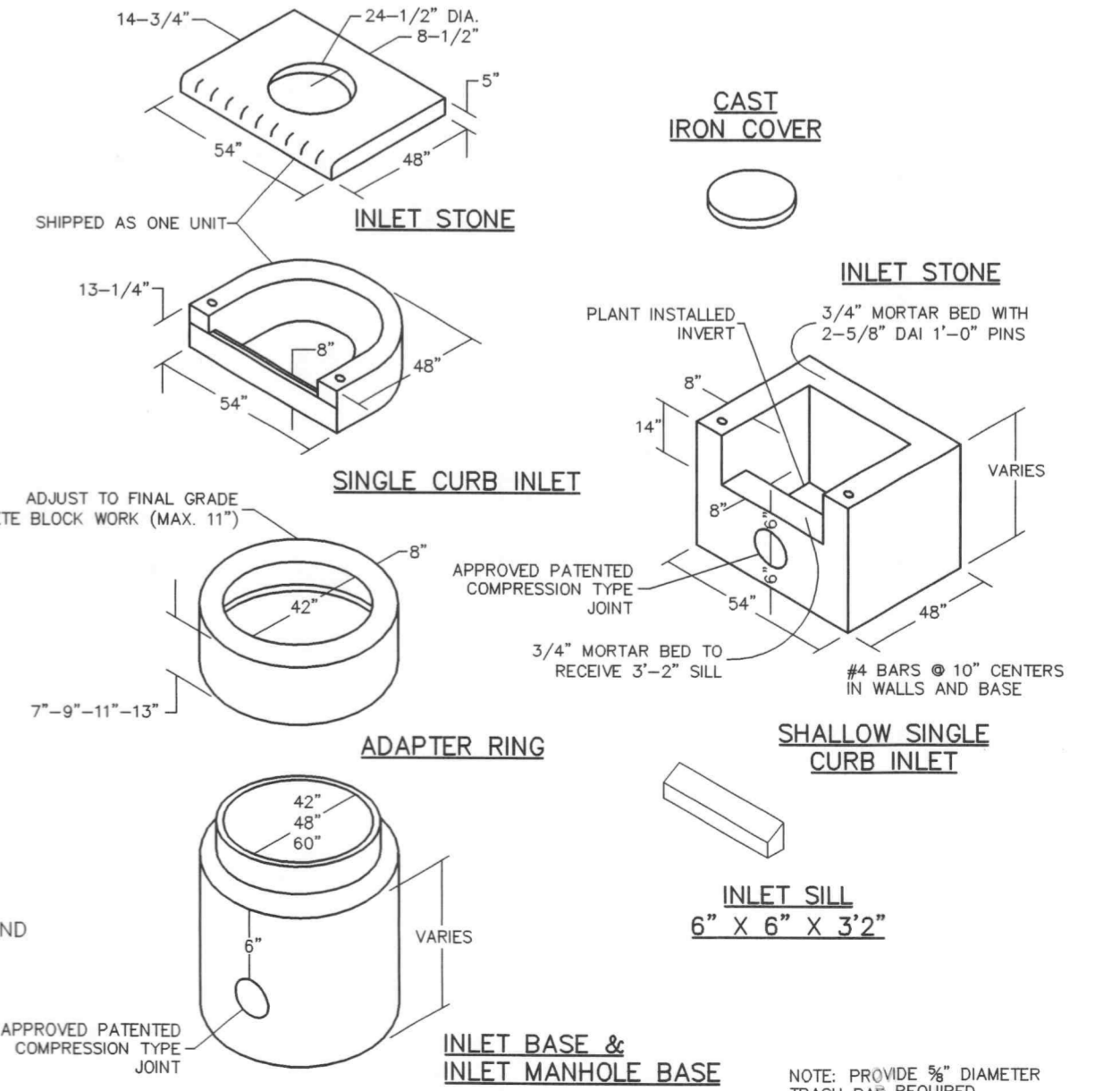
CONCRETE SWALE (DETENTION BASIN)
 PROVIDED BY S.S. & D. PROPERTIES NOT TO SCALE



MODULAR BLOCK CONCRETE RETAINING WALL
 (RETAINING WALL DESIGN BY OTHERS) NOT TO SCALE



PRECAST CONCRETE UNIT
 FOR
 4-WAY AREA INLET



SINGLE STREET INLETS
 PRECAST CONCRETE
 NOT TO SCALE

E:\DWG\110001\11282M-MIKE JONES PERUQUE\CONSTRUCTION\11282MCON.DWG, DETAILS-11, 11/15/2006 9:03:42 AM, 1:1, Sta 36 SWR