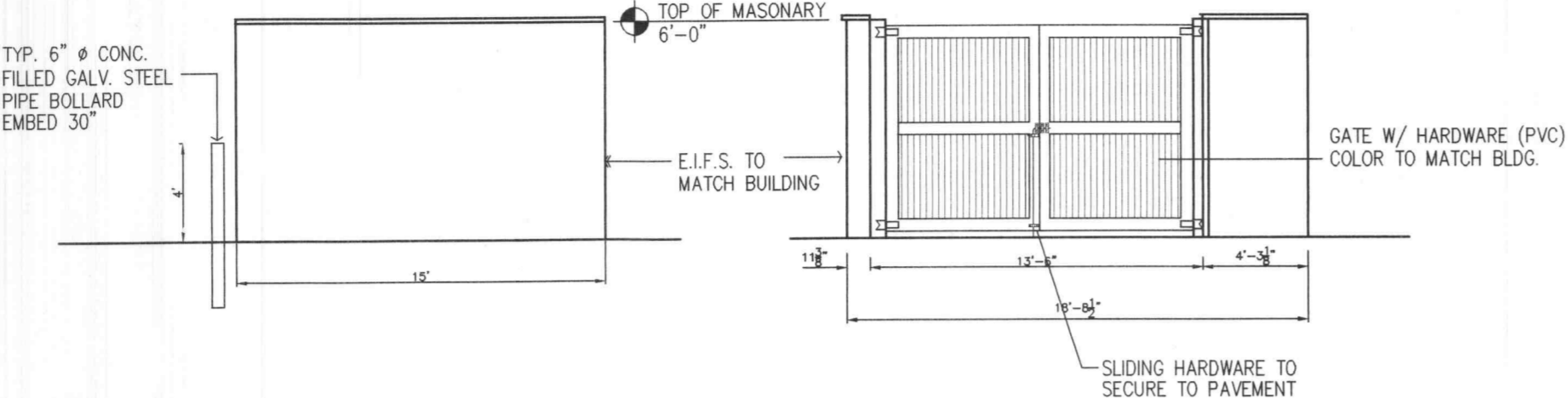
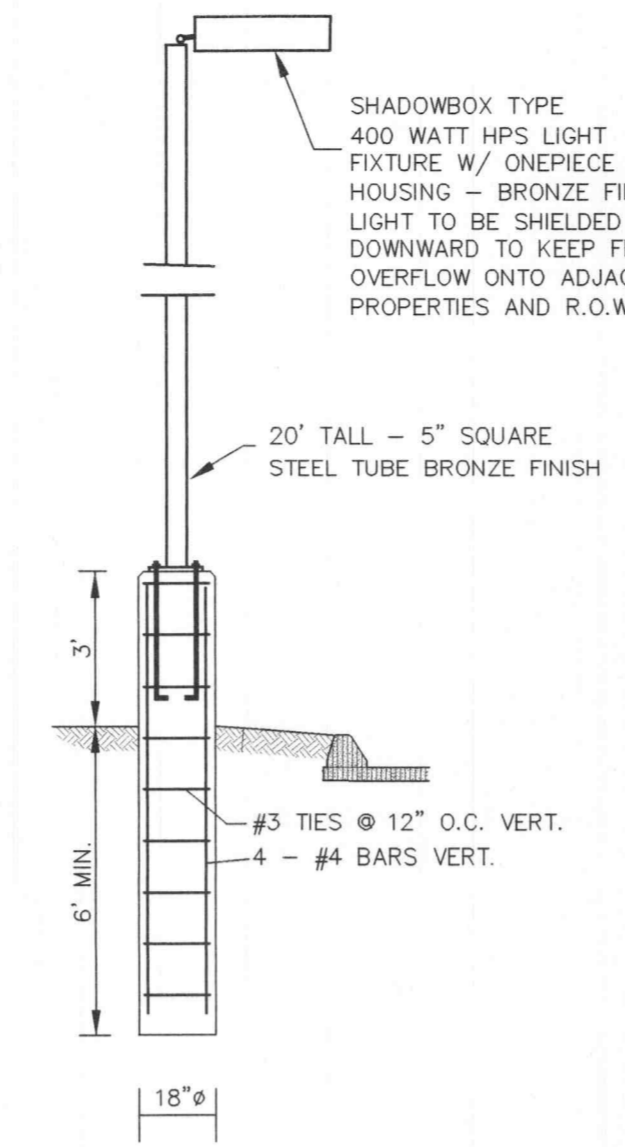


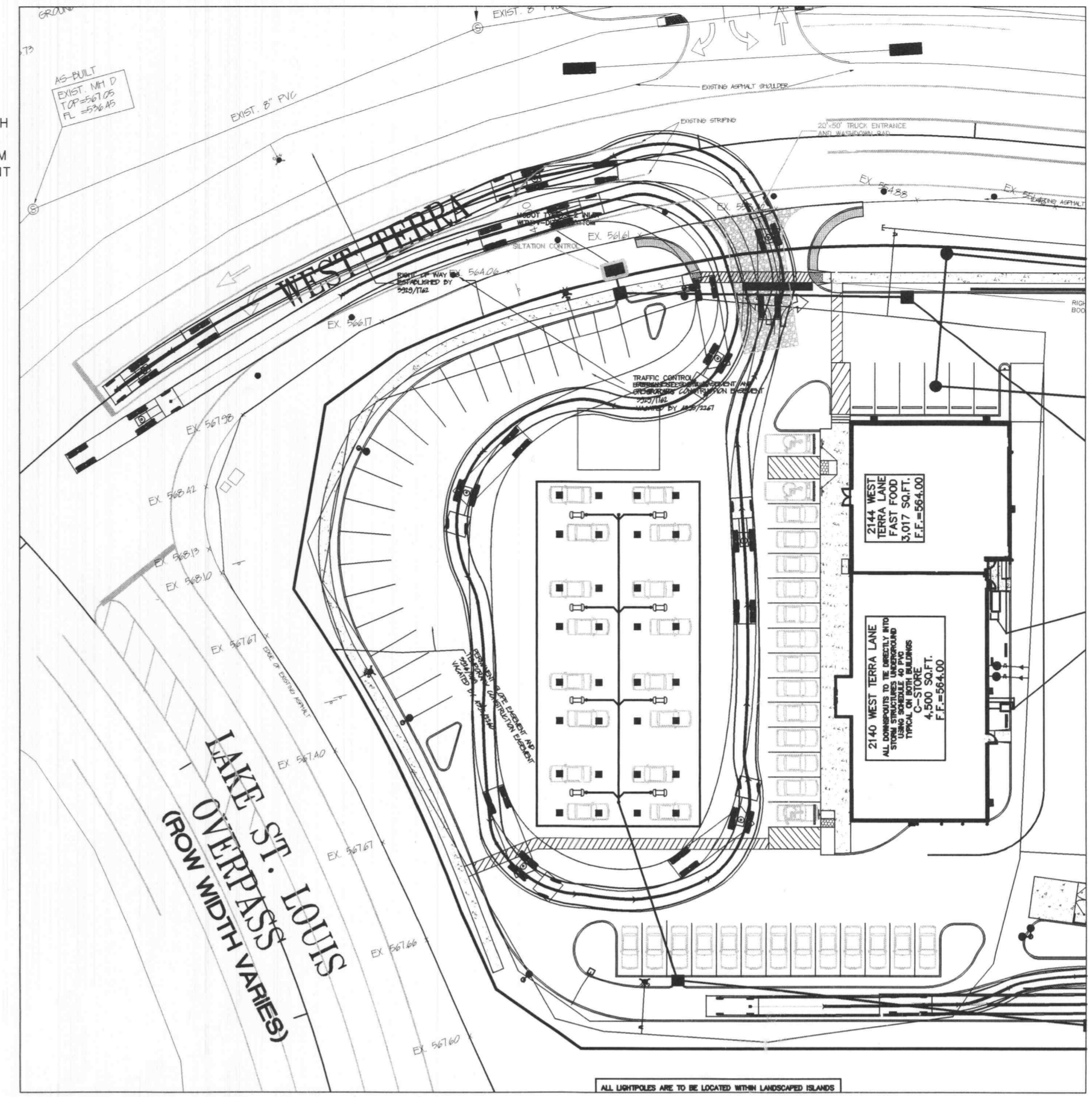
1. TRASH ENCLOSURE PLAN
NOT TO SCALE



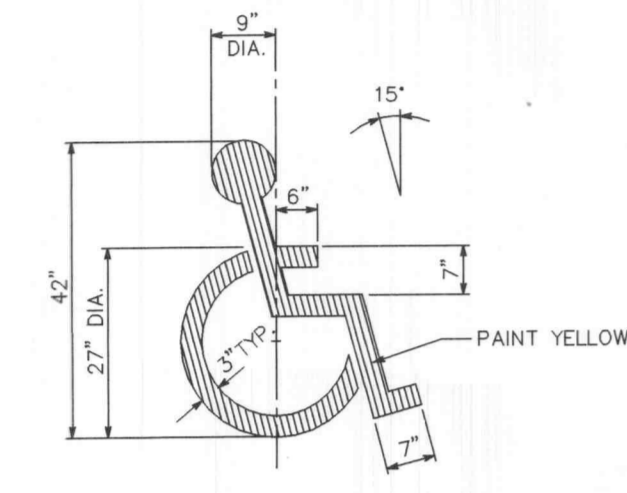
2. ELEVATION
NOT TO SCALE



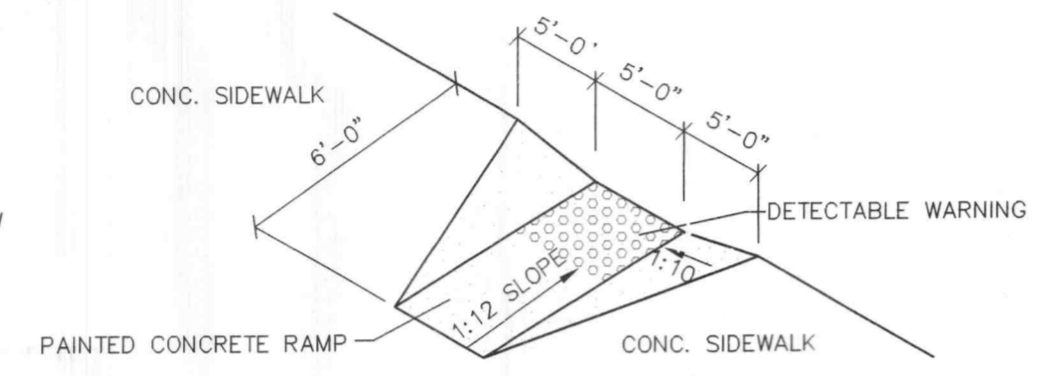
LIGHT POLE & BASE
NOT TO SCALE



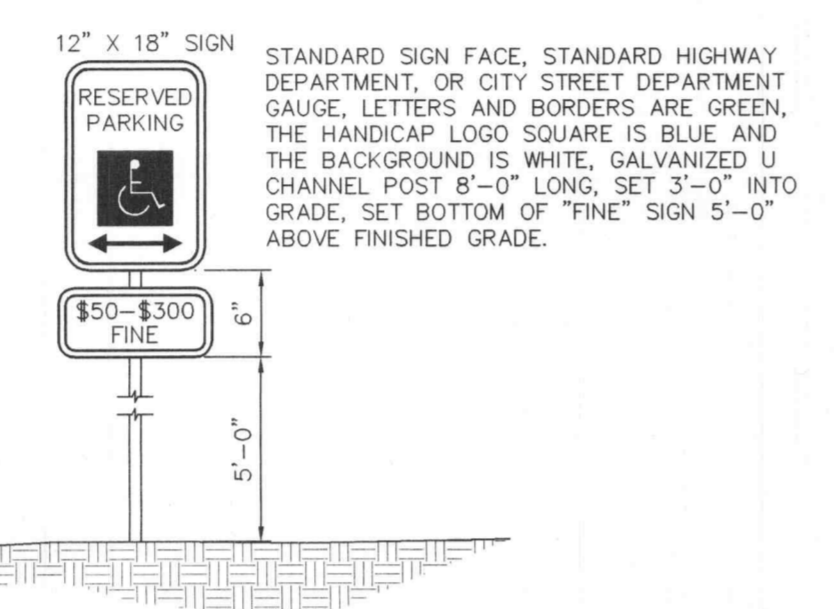
FUEL TRUCK TRAVEL PATH
SCALE: 1"=40'



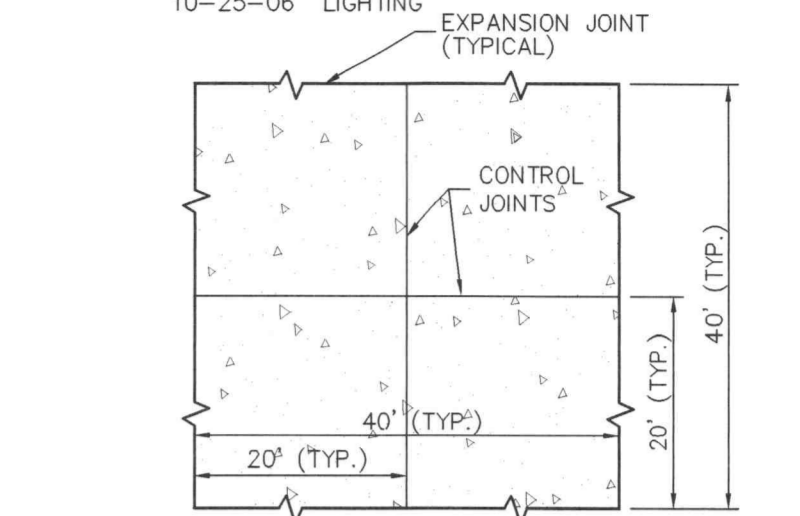
PAINTED HANDICAPPED PARKING SYMBOL
NOT TO SCALE



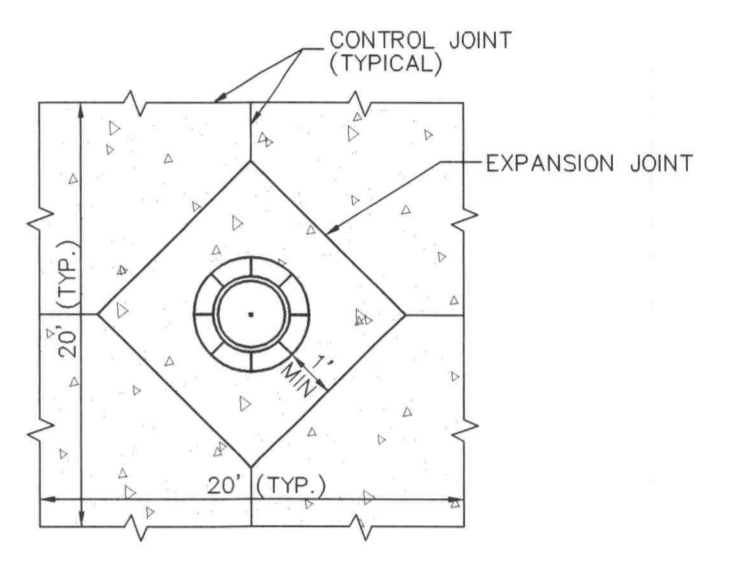
HANDICAPPED RAMP DETAIL
NOT TO SCALE



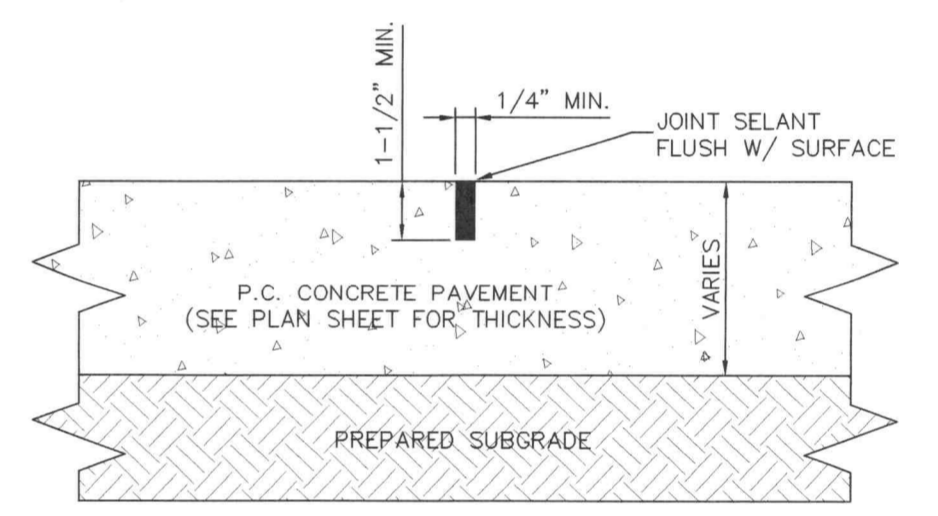
HANDICAP PARKING SIGN
NOT TO SCALE



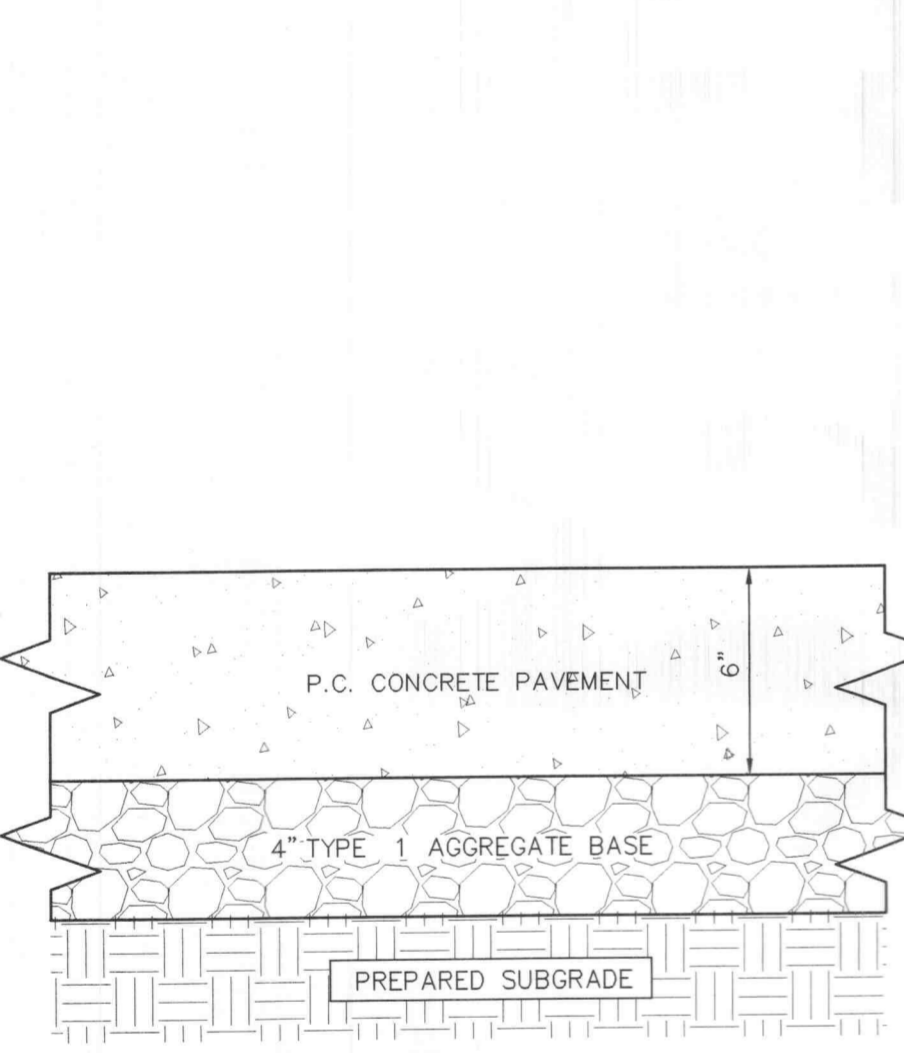
CONCRETE PAVEMENT JOINT SPACING
NOT TO SCALE



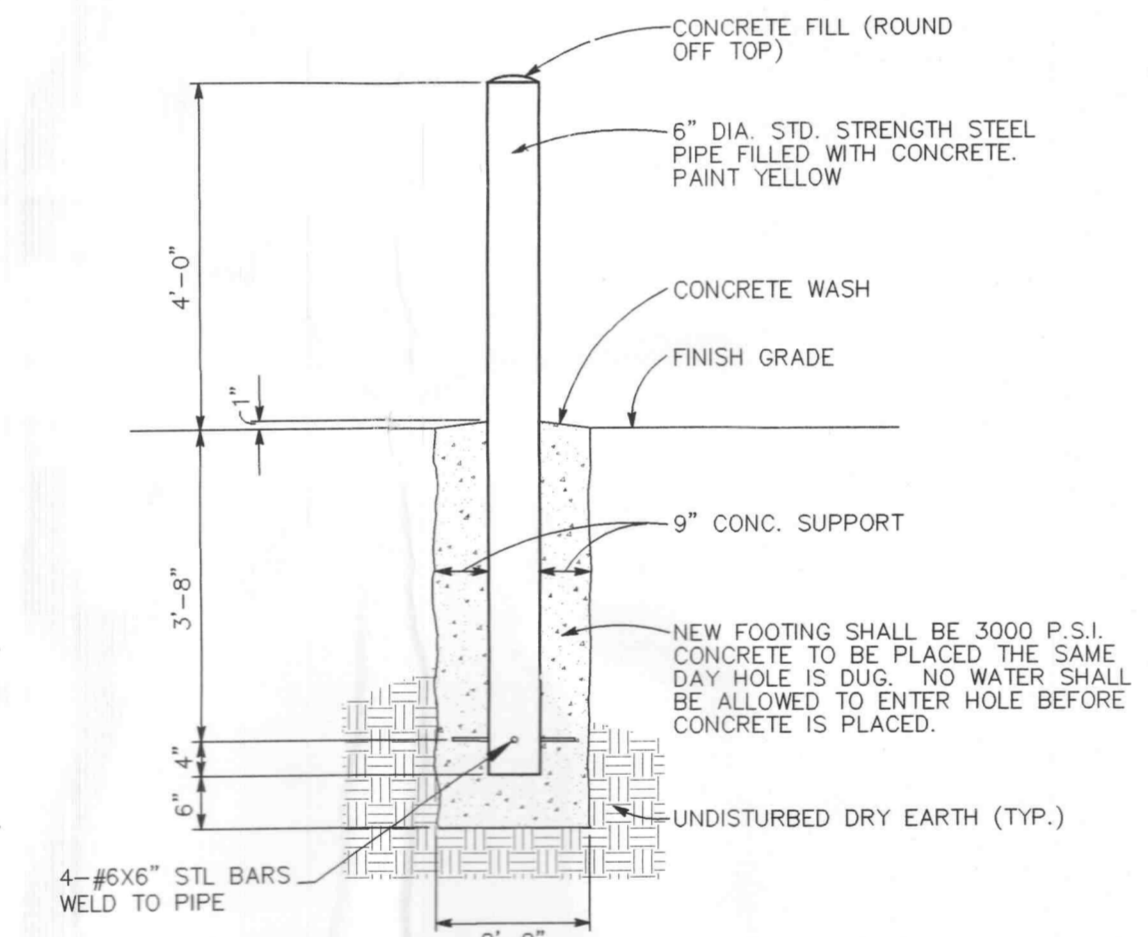
MANHOLE BOXING
NOT TO SCALE



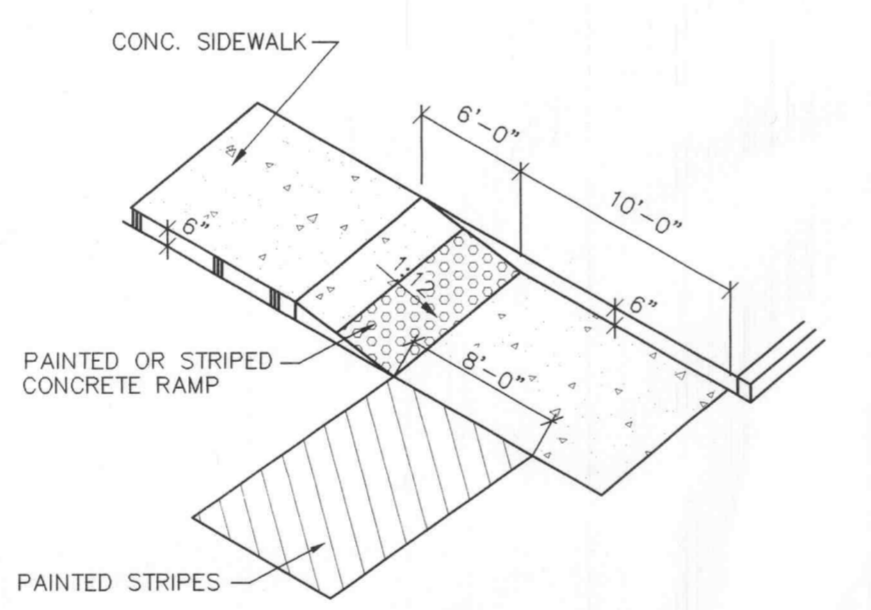
CONTROL JOINT (TOOLED/SAWN)
CONCRETE PAVEMENT JOINT DETAIL
NOT TO SCALE



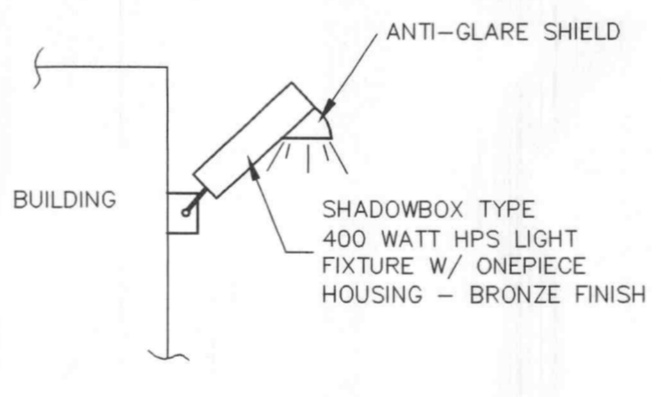
SITE PAVEMENT DETAIL
NOT TO SCALE



PIPE BOLLARD DETAIL
NOT TO SCALE



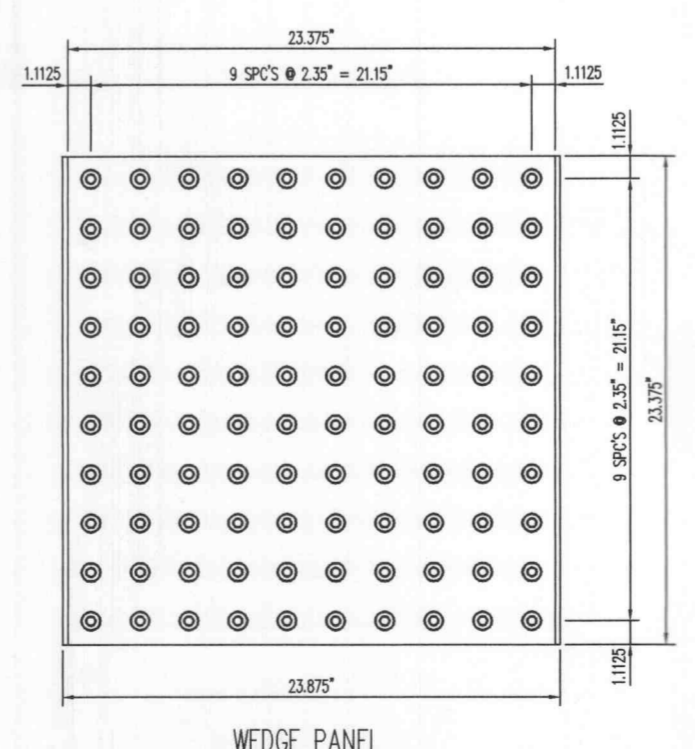
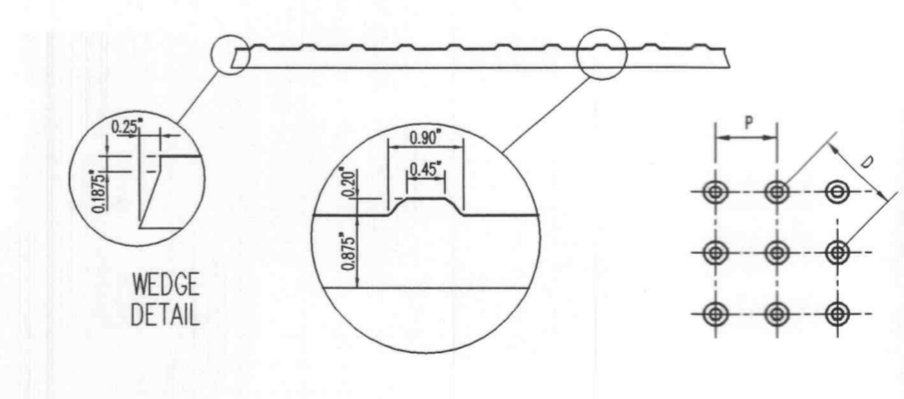
HANDICAPPED RAMP DETAIL
AT SOUTHWEST CORNER OF C-STORE
NOT TO SCALE



BUILDING MOUNTED LIGHT
NOT TO SCALE

CASTinTACT™ Warning Panels are the latest innovation in detectable warning systems. A long term solution meeting both state and federal guidelines for handicap detention. CASTinTACT Warning Panels are designed for exterior use at the bottom of curb ramps and other locations such as depressed corners, raised crosswalks and raised intersections, borders of median and islands, at edge of transit platforms and where railroad tracks cross the sidewalk to warn people with visual impairments of potential hazards. Detectable warnings must be installed across the full width of ramps, and 24" minimum in length up the ramp. CASTinTACT Warning Panels are integrally colored to provide visual contrast with the adjacent walking surface.

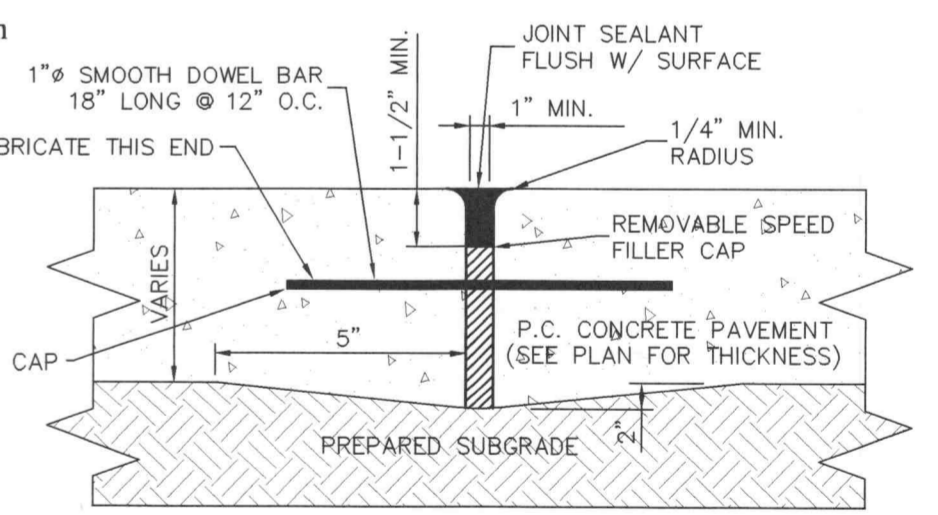
CASTinTACT™ are cementitious based concrete panels with the same co-efficient of expansion as the concrete base. 7/8" thick high strength concrete reinforced with stainless steel prestress strands resulting in a high strength and crack resistant panel. Abrasion resistant truncated domes are achieved with an engineered mix design of granite and quartz aggregate that produces an average compressive strength of 10,000 psi (69 MPa). CASTinTACT are quality controlled manufactured to produce a dense, freeze thaw durable panel. Architectural concrete finished for safe wet and dry slip resistance. Concrete surfaces are easily maintained and cleaned with pressure washing.



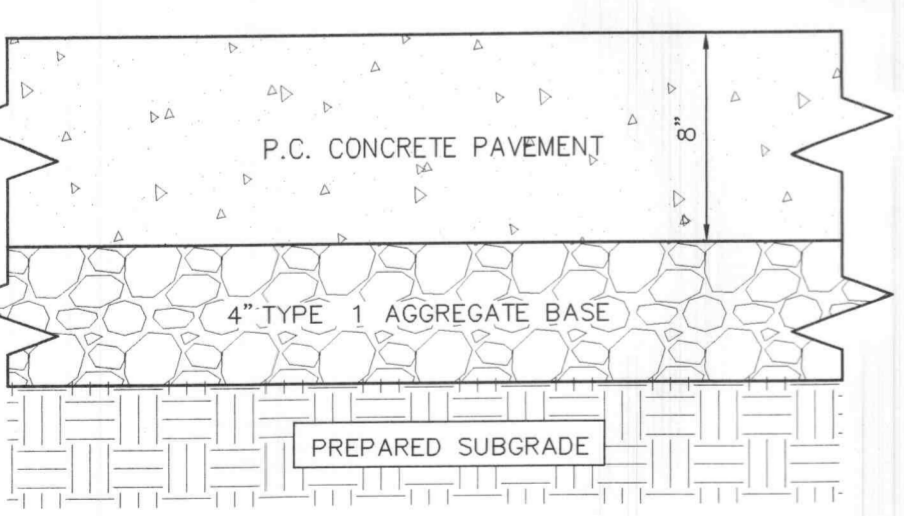
PANEL SIZES AVAILABLE
 Wedge Edge Panel includes 1'x2', 2'x2', 2.5'x2', 3'x2'
 Square Edge Panel includes 2'x2', 3'x2' and 4'x2'
 Stocking colors are yellow, red, black and white.
 Custom colors special order.

DOME SPECIFICATIONS
 Americans with Disabilities Act 4.29.2 Standards
 Dome Base = 0.9" (23 mm)
 Dome Top = 0.45" (12mm)
 Dome Height = 0.2" (5 mm)
 Dome Spacing (P) = 2.35" (60mm)
 Dome Diag. Spacing (D) = 3.32" (85mm)

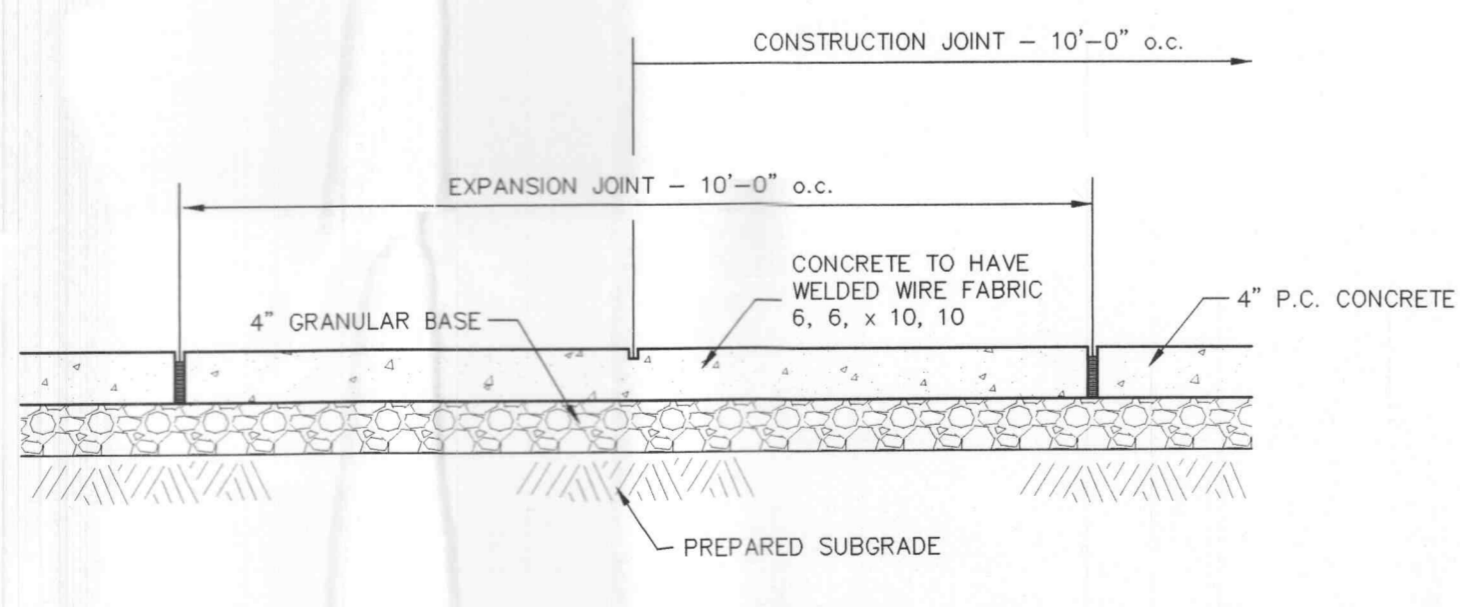
PANEL SPECIFICATION
 Panel Thickness = 0.875" (22mm)
 Avg. Panel PSI = 10,000 (69 MPa) ASTM C39
 Reinforcement = 30# Stainless Steel 1/16"
 7x7 4" OC both directions and faces.
 Final prestress forces after loss, 300 lbs per
 Tendon, net panel prestress force 172 psi in both
 Directions
 Slip Resistance = 0.80 ASTM D 2047 Modified



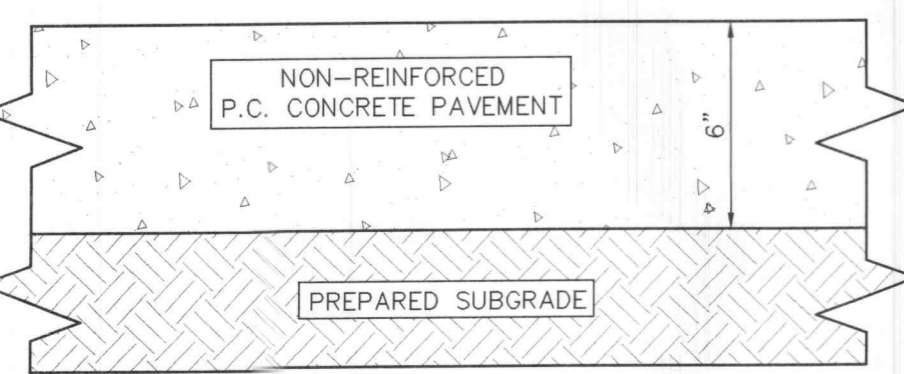
CONCRETE PAVEMENT JOINT DETAIL
EXPANSION JOINT
NOT TO SCALE



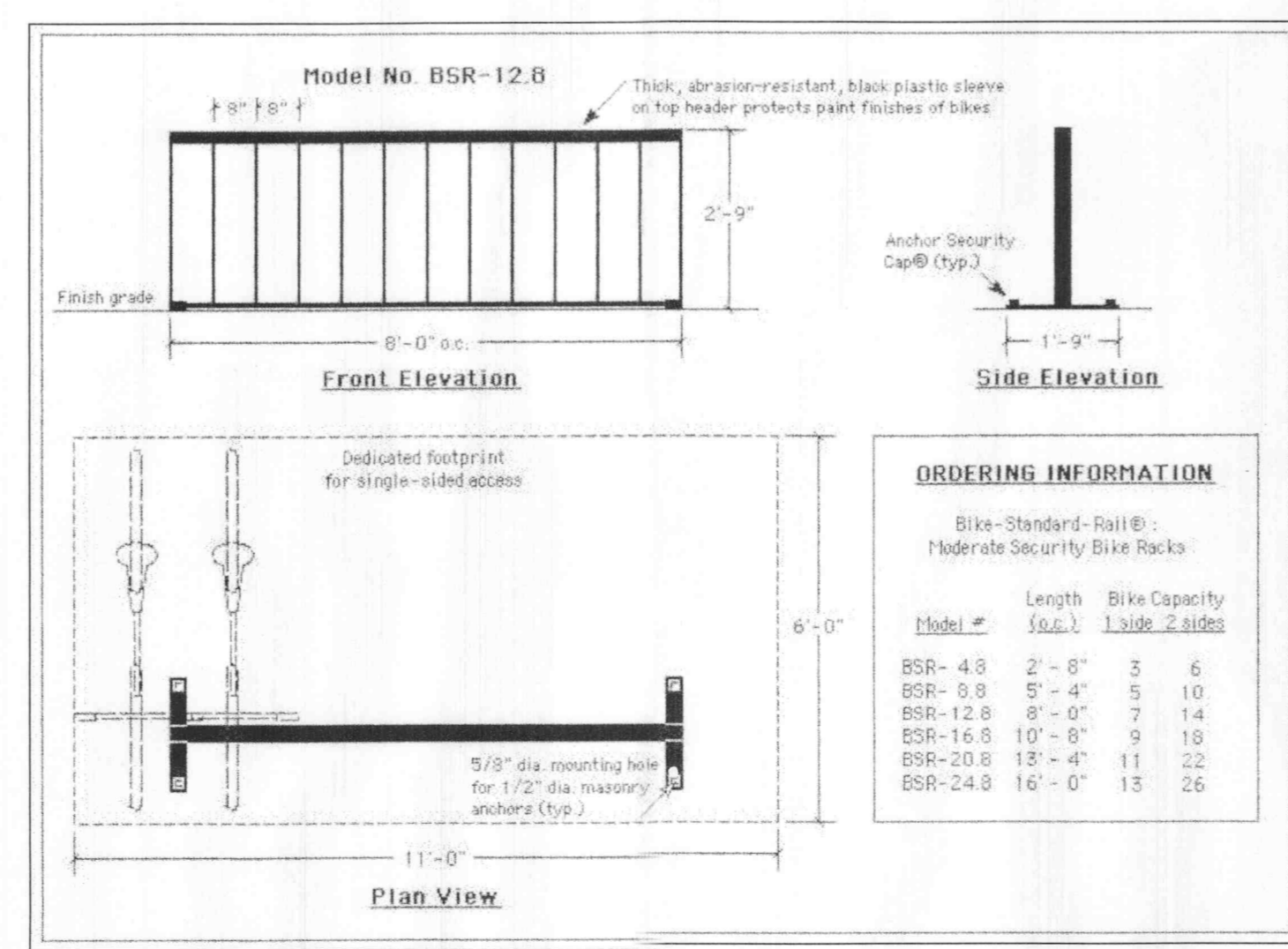
ENTRANCE PAVEMENT DETAIL
NOT TO SCALE



CONCRETE SIDEWALK WITH BASE DETAIL
NOT TO SCALE

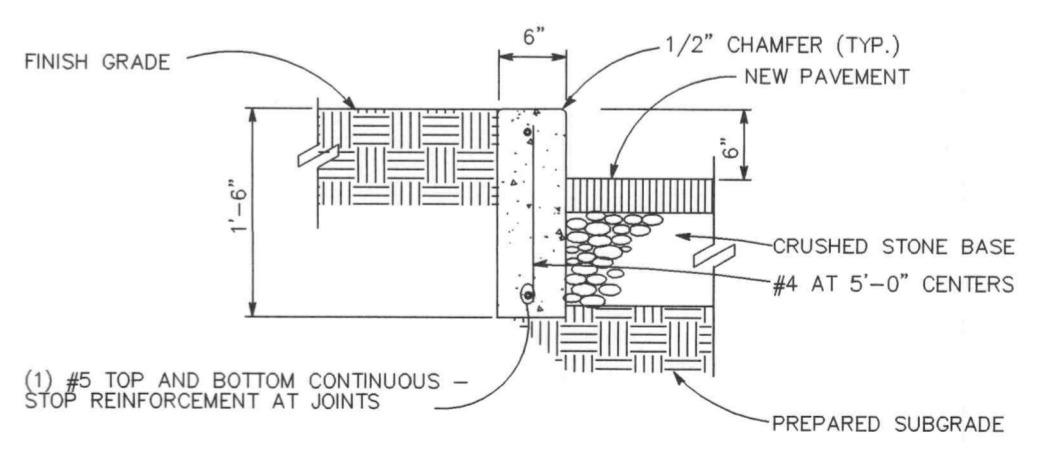


TRASH PAVEMENT DETAIL
NOT TO SCALE



BIKE RACK DETAIL
(OR EQUIVALENT)
NOT TO SCALE

TYPICAL DETAIL OF DETECTABLE WARNING SURFACE
NOT TO SCALE



CONCRETE CURB DETAIL
NOT TO SCALE