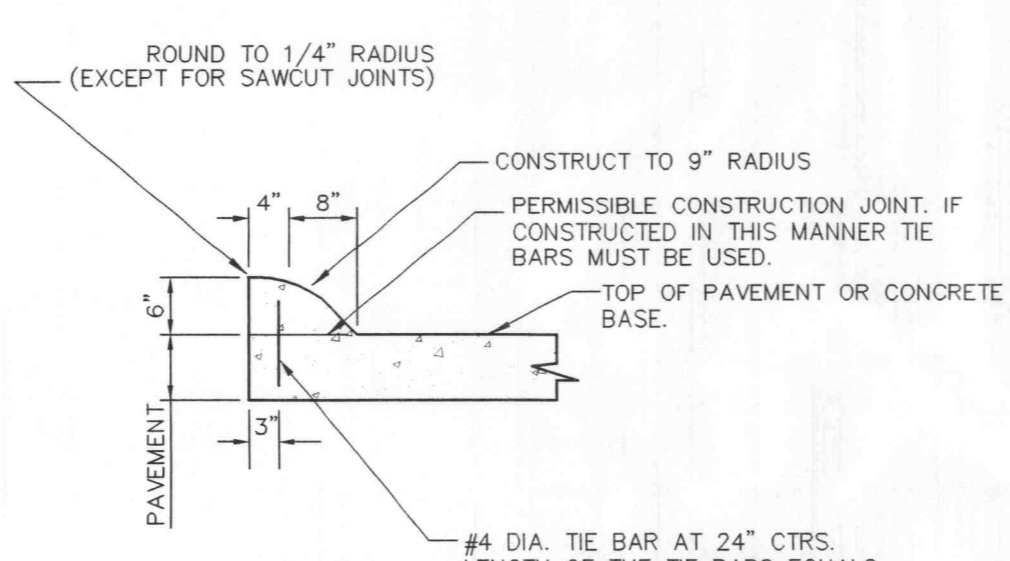


- NOTES:
1. STRAW BALES, NOT HAY BALES SHALL BE USED.
 2. BUTT ENDS OF BALES TIGHTLY TOGETHER.
 3. INSTALL BALES WITH BINDING AROUND SIDES, NOT TOP AND BOTTOM.
 4. FILL ANY GAP BETWEEN BALES BY WEDGING LOOSE STRAW BETWEEN THEM.

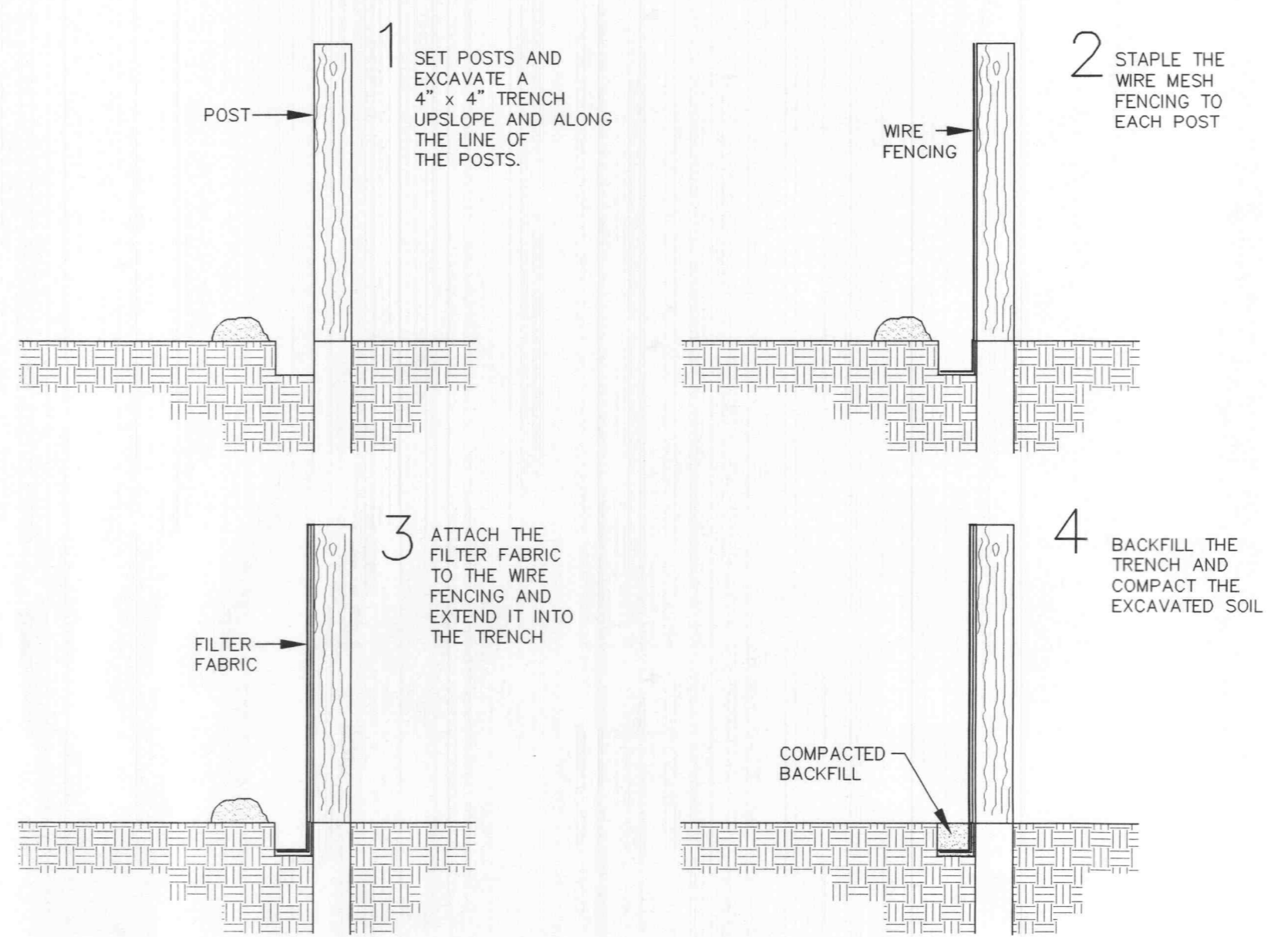
SEDIMENT BARRIER
NOT TO SCALE

CONSTRUCTION SPECIFICATIONS

1. Stone Size - Use 2" stone, or reclaimed or recycled concrete equivalent.
2. Length - As required, but not less than 50 feet (except on a single residence lot where a 30 foot minimum length would apply).
3. Thickness - Not less than six (6) inches.
4. Width - Twenty (20) foot minimum, but not less than the full width at points where ingress or egress occurs.
5. Filter Cloth - Will be placed over the entire area prior to placing of stone. Filter will not be required on a single family residence lot.
6. Surface Water - All surface water flowing or diverted toward construction entrances shall be piped across the entrance. If piping is impractical, a mountable berm with 5:1 slopes will be permitted.
7. Maintenance - The entrance shall be maintained in a condition which will prevent tracking or flowing of sediment onto public rights-of-way.
8. Washing - Wheels shall be cleaned to remove sediment prior to entrance onto public rights-of-way. When washing is required, it shall be done on an area stabilized with stone and which drains into an approved sediment trapping device.
9. Periodic inspection and needed maintenance shall be provided after each rain.



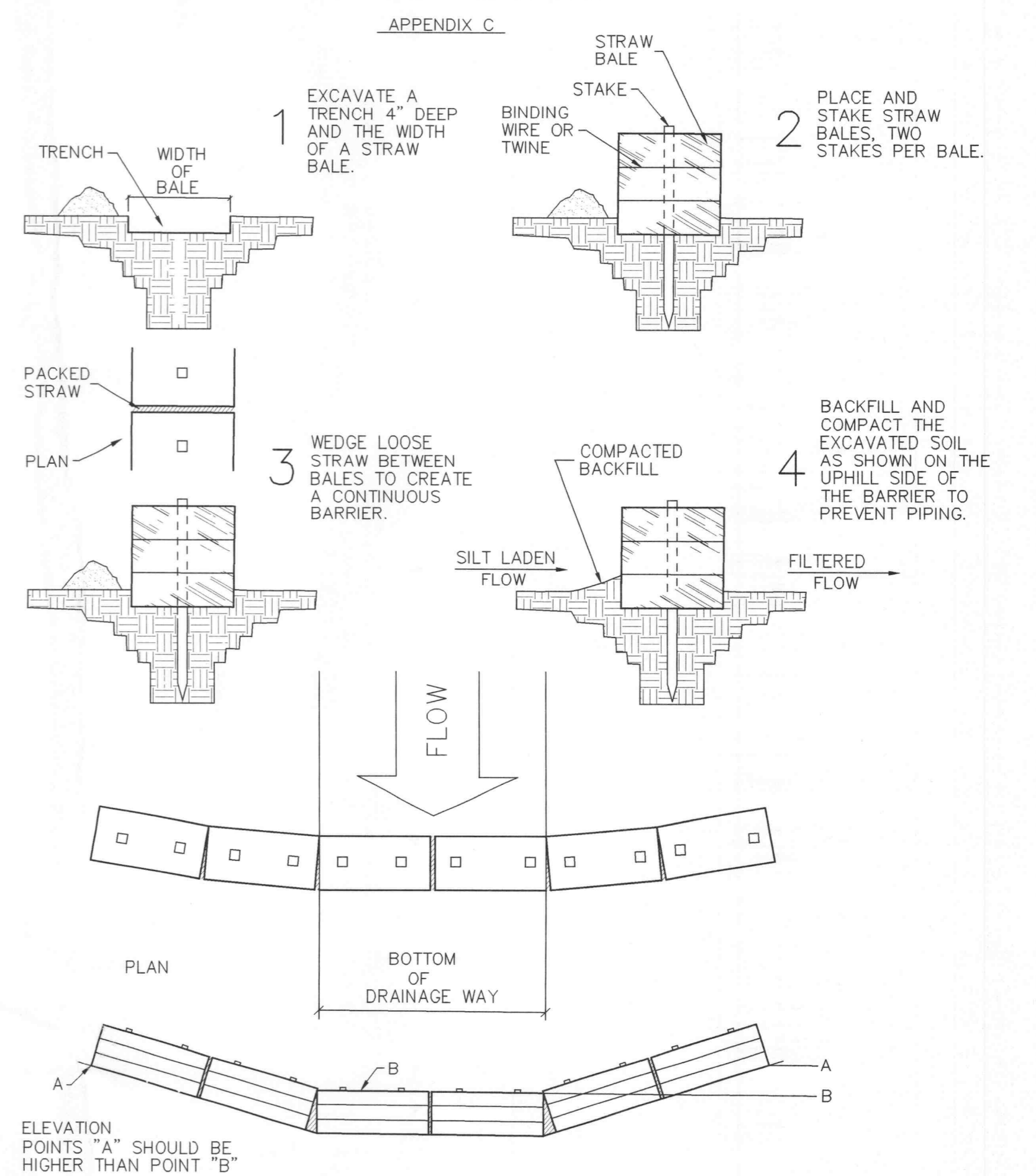
TYPE M CURB (MOUNTABLE)
NOT TO SCALE



1. FILTER BARRIERS SHALL BE INSPECTED IMMEDIATELY AFTER EACH RAINFALL AND AT LEAST DAILY DURING PROLONGED RAINFALL. ANY REQUIRED REPAIRS SHALL BE MADE IMMEDIATELY.
2. SHOULD THE FABRIC DECOMPOSE OR BECOME INEFFECTIVE PRIOR TO THE END OF THE EXPECTED USABLE LIFE AND THE BARRIER STILL BE NECESSARY, THE FABRIC SHALL BE REPLACED PROMPTLY.
3. SEDIMENT DEPOSITS SHOULD BE REMOVED AFTER EACH STORM EVENT. THEY MUST BE REMOVED WHEN DEPOSITS REACH APPROXIMATELY HALF THE HEIGHT OF THE BARRIER.
4. ANY SEDIMENT DEPOSITS REMAINING IN PLACE AFTER THE SILT FENCE OR FILTER BARRIER IS NO LONGER REQUIRED SHALL BE DRESSED TO CONFORM WITH THE EXISTING GRADE, PREPARED AND SEEDED.



SILTATION FENCE DETAIL



APPENDIX C
PLACEMENT AND CONSTRUCTION OF STRAW BALE BARRIER

STABILIZED CONSTRUCTION ENTRANCE/WASHDOWN AREA
NOT TO SCALE

ROUND PIPE POST FOR GROUND MOUNTED SIGNS									
NOMINAL PIPE SIZE (IN.)	PIPE WEIGHT (LBS./FT.)	TORSION (IN.-LB.)	BASE CONNECTION DATA TABLE						
			A	B	C	H	I	J	
2 1/2	4.3	3	140	9 1/2	9	6	10 1/2	1 1/2	8
4	5 1/2	3 1/2	345	7 1/2	10	6	10 1/2	1 1/2	8

ROUND PIPE POST AND FOOTING DATA TABLE									
PIPE SIZE (IN.)	WEIGHT (LBS./FT.)	STONE LENGTH (IN.)	FOOTING CONCRETE						
			DIAL MIN.	DIAL MAX.	CY/FT	CU/YD	W/4\"/>		
2 1/2	4.3	3	12	12 1/2	0.028	0.008			
3	7.58	0.62	4	3 1/2	12	0.048	0.028	0.008	
4	10.79	0.90	5	3 1/2	18	0.047	0.068	0.005	

FLARED LEG SIGN BRACKET

CLAMP TYPE SIGN SUPPORTS FOR PIPE POST

FOUNDATION DETAIL SLIP BASE ASSEMBLIES

FOOTING DETAIL

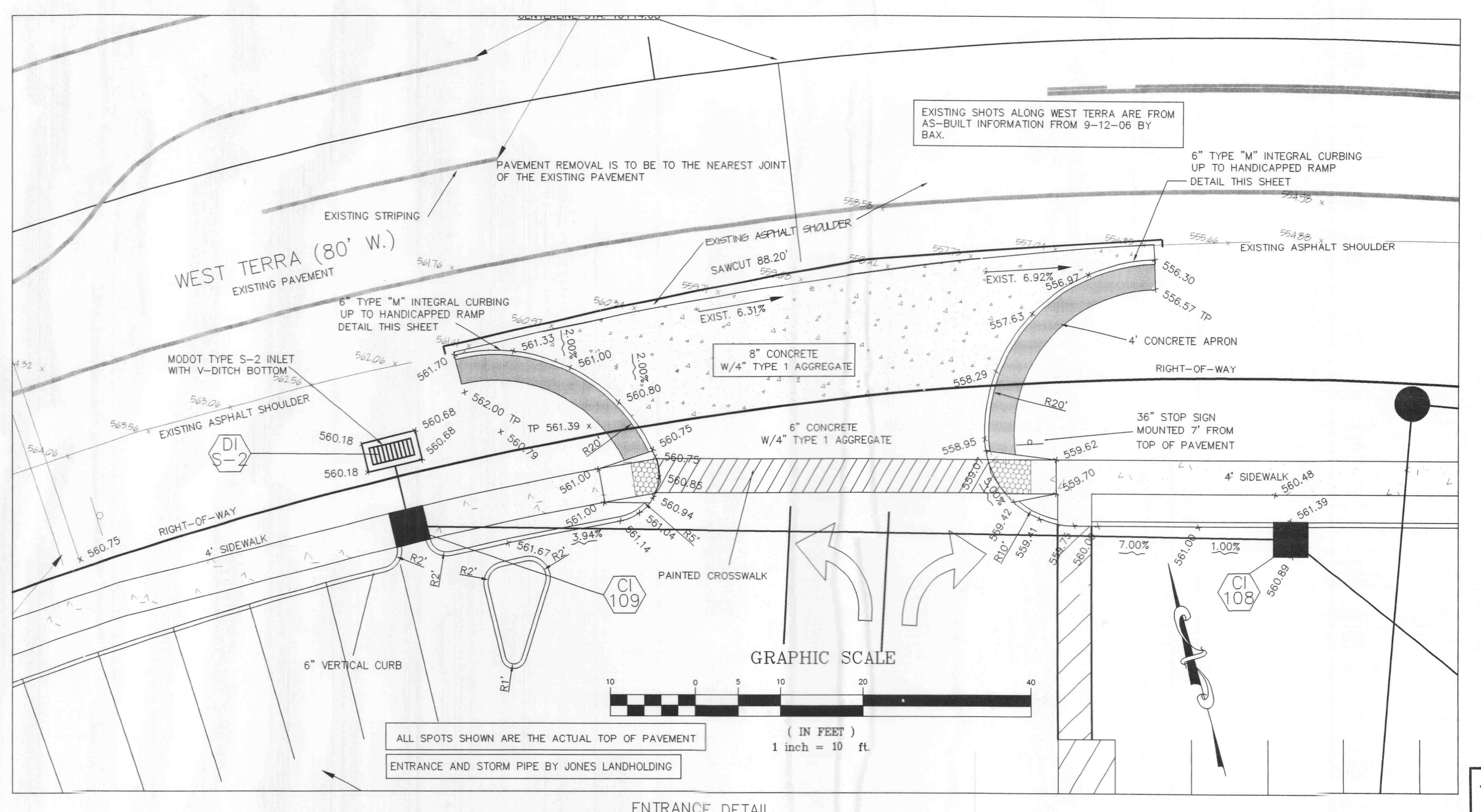
FRICITION CAP

MISSOURI HIGHWAYS AND TRANSPORTATION COMMISSION

HIGHWAY SIGNING POST FOR SIGNS 30 SQUARE FEET OR SMALLER

DATE: 2/4/06 EFFECTIVE: 07-01-0004 903.03AY

USE FOR STOP SIGNS AT ENTRANCE



ENTRANCE DETAIL