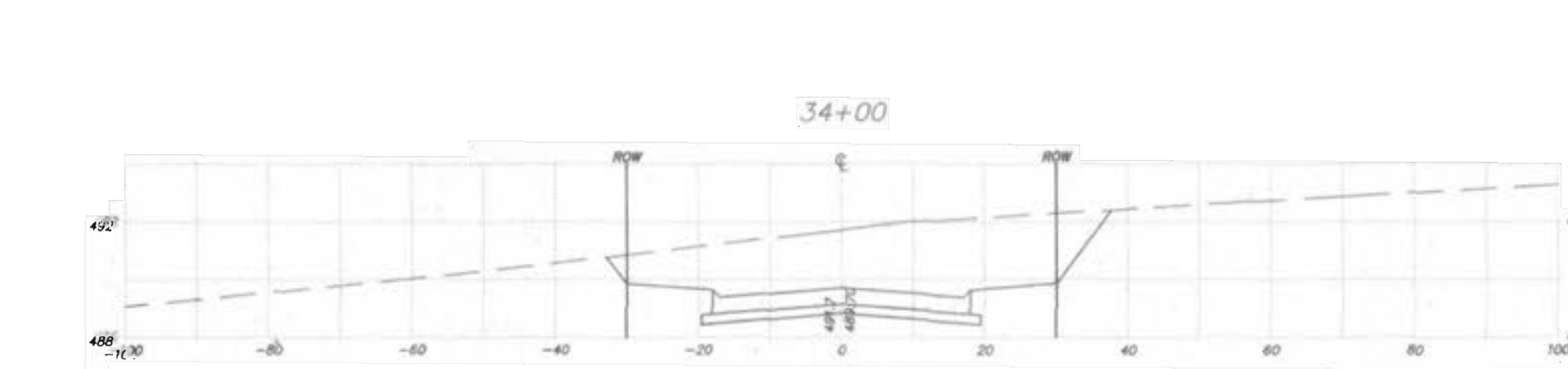
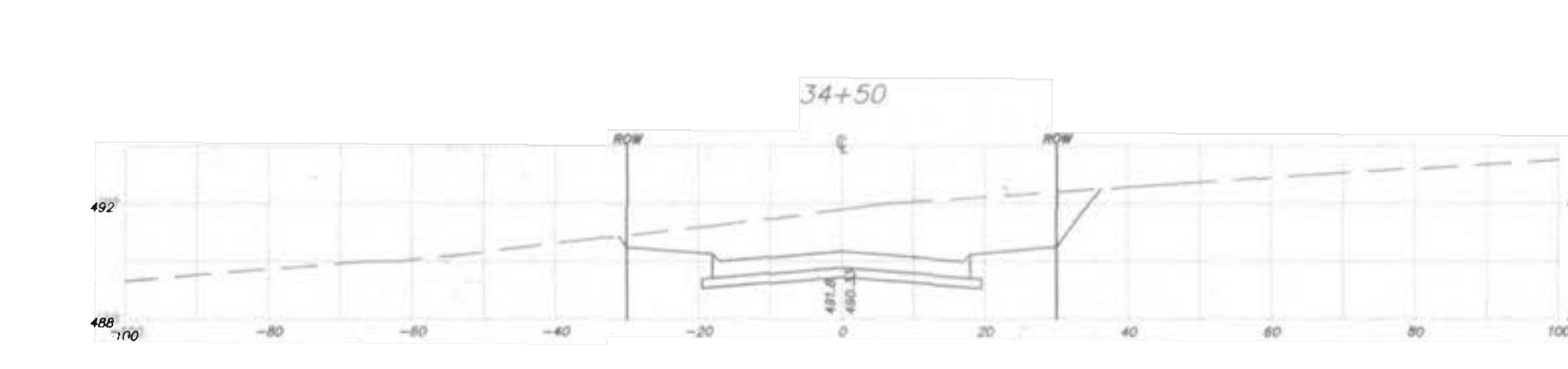
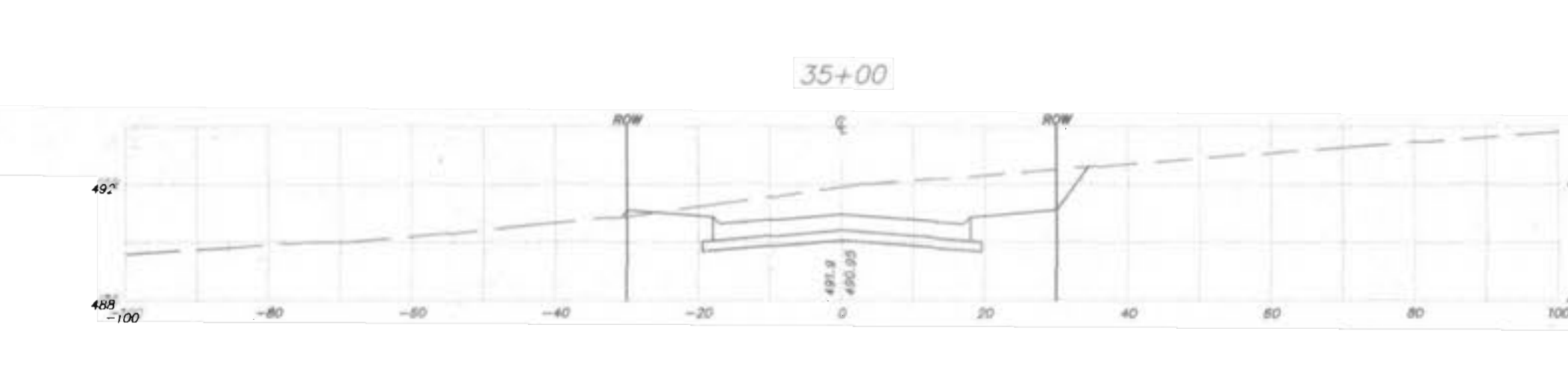
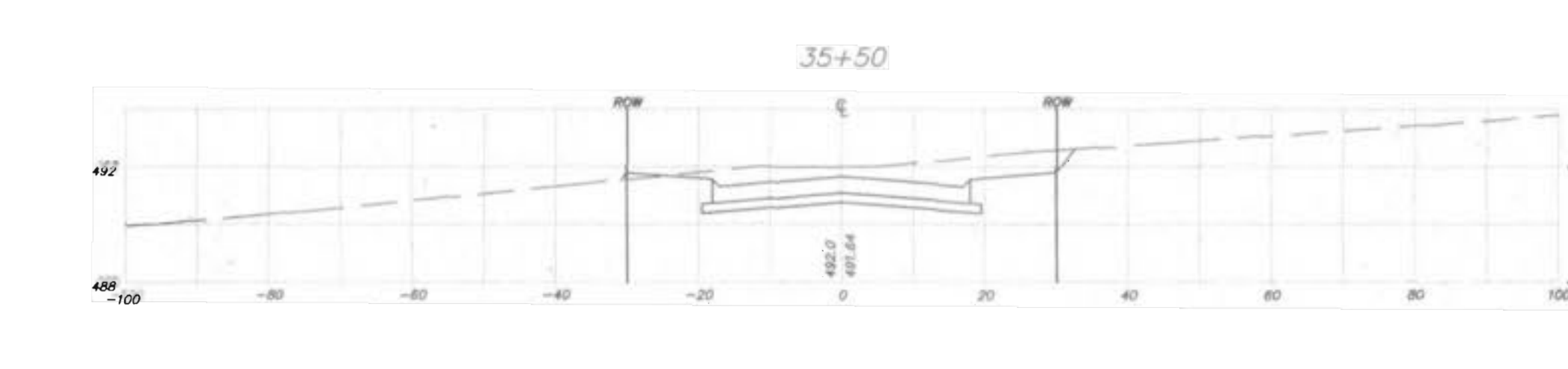
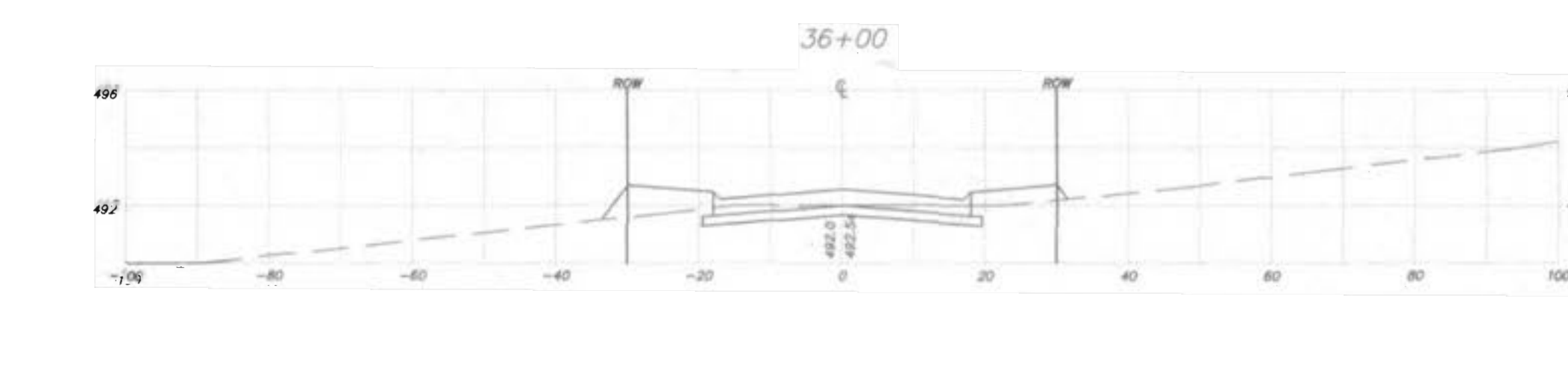
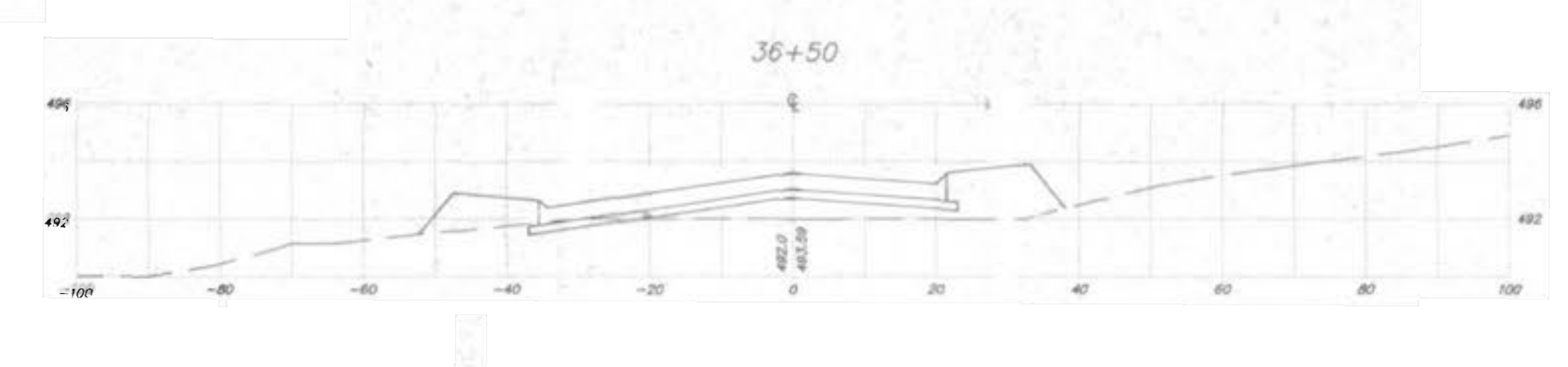
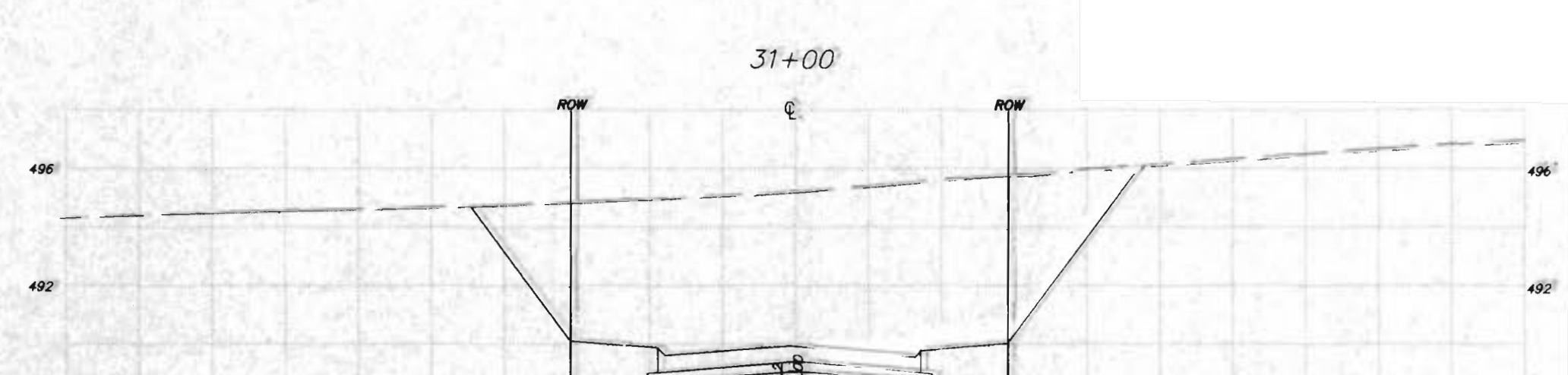
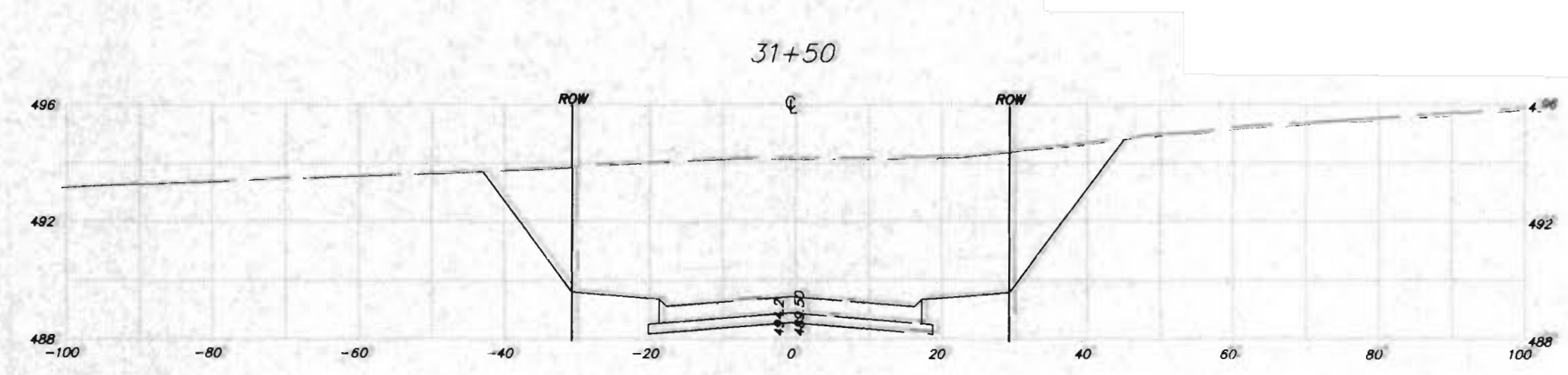
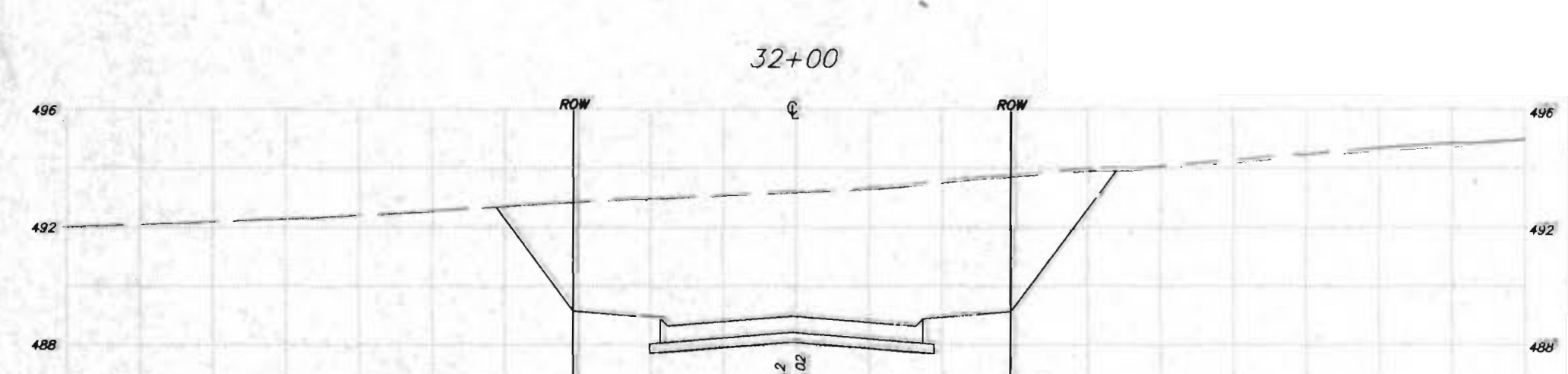
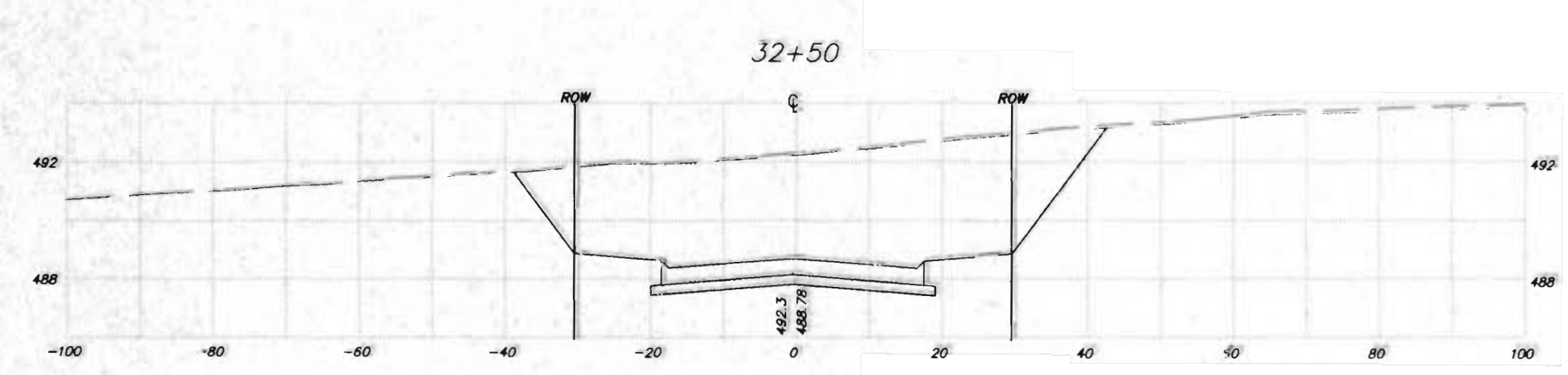
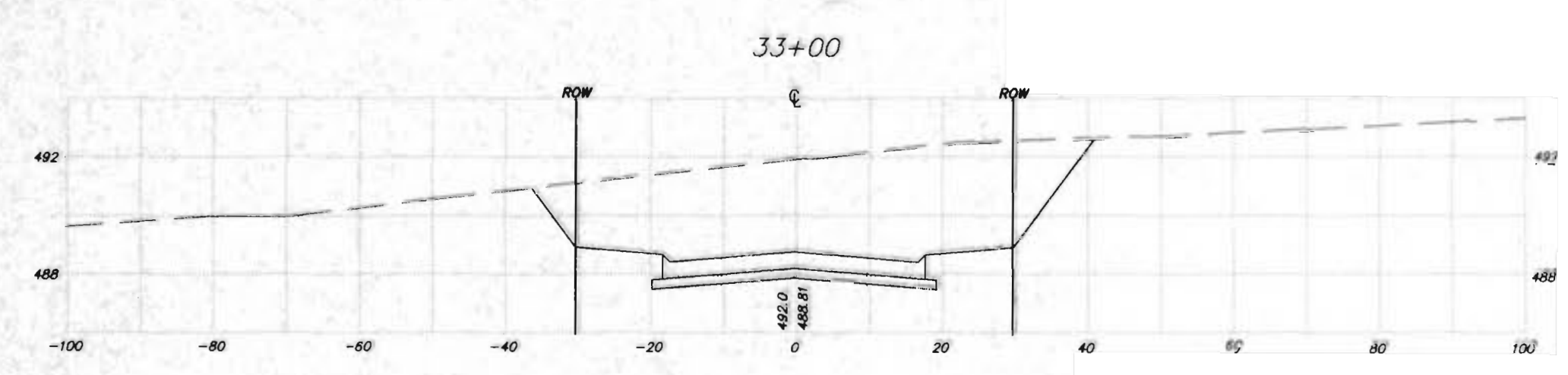


END EARTHWORK STA. 36+30.00



NOTE:
12 foot section back of curb can drain away
from pavement if necessary to obtain more
desirable slopes.