

TYPICAL PRE-CAST MH. TEE FOR REINFORCED CONCRETE PIPE SEWERS 48" AND LARGER IN DIAMETER

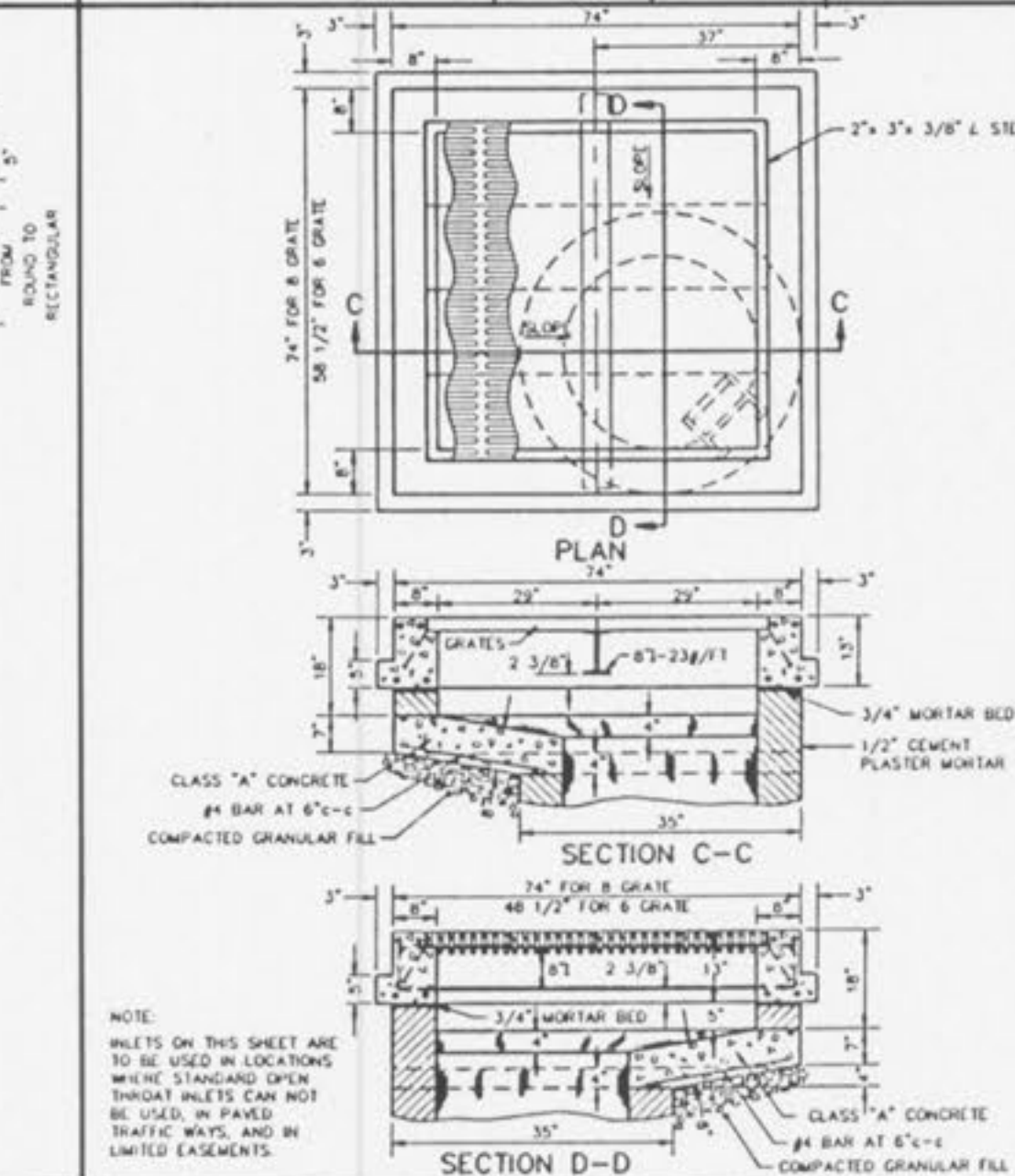
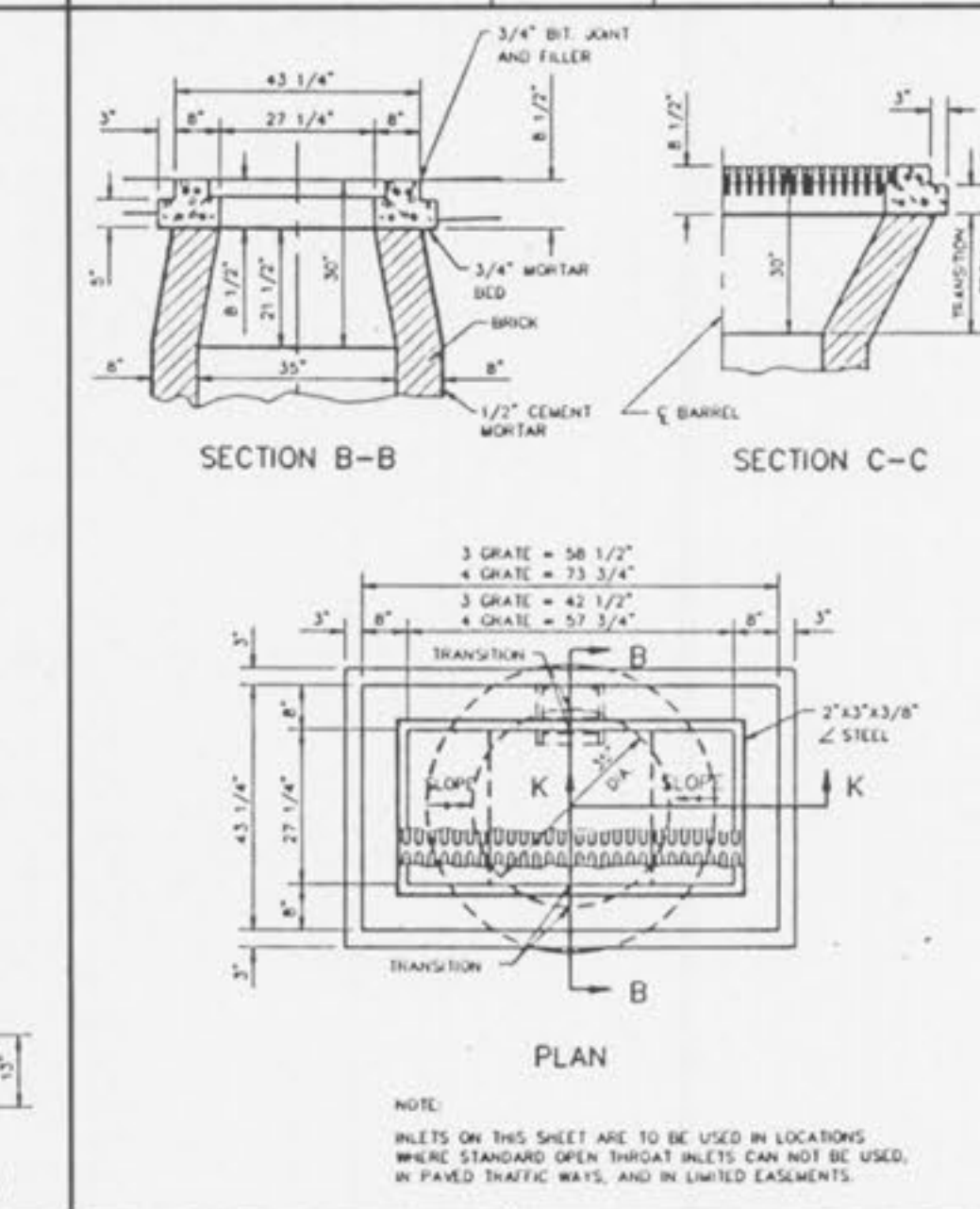
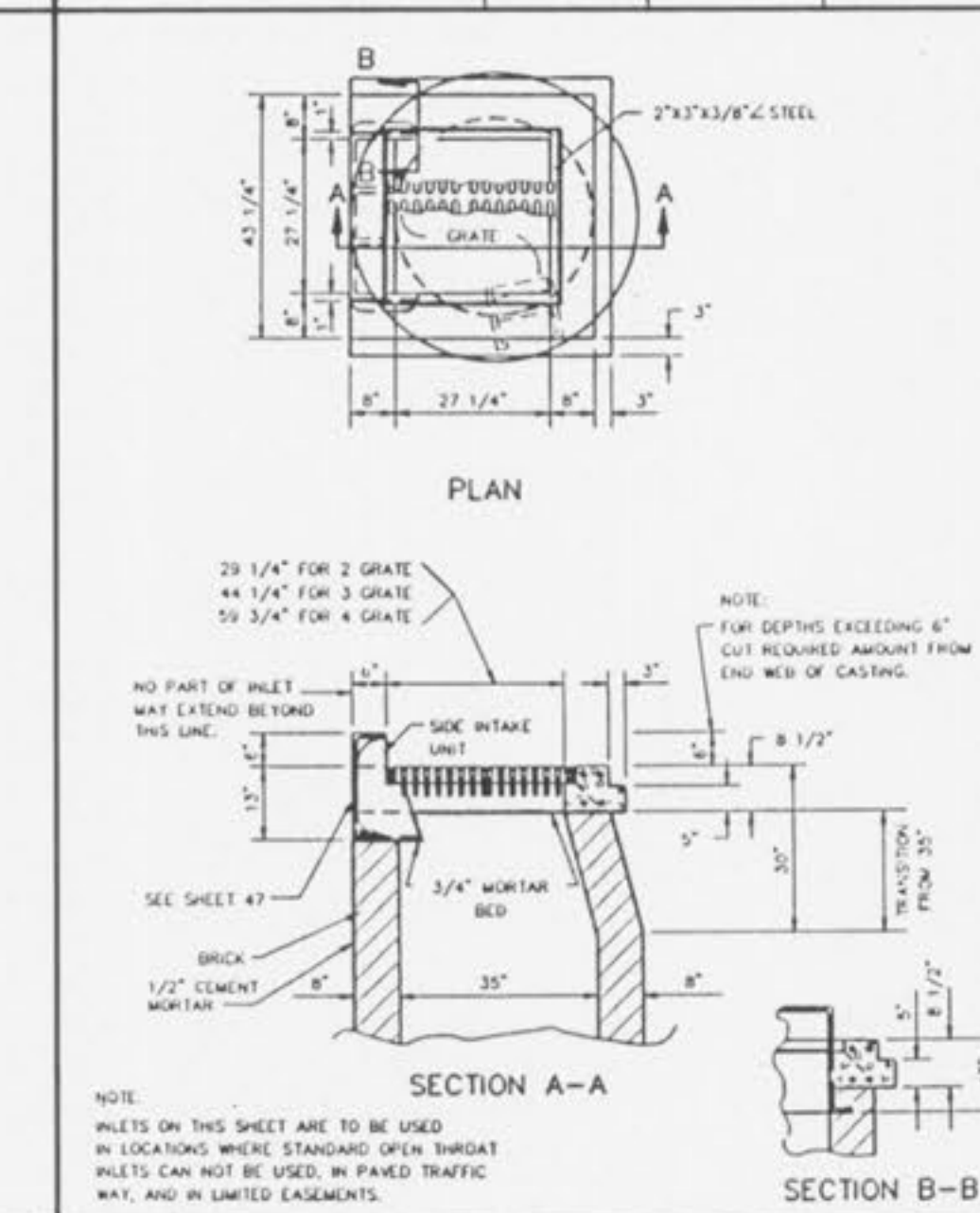
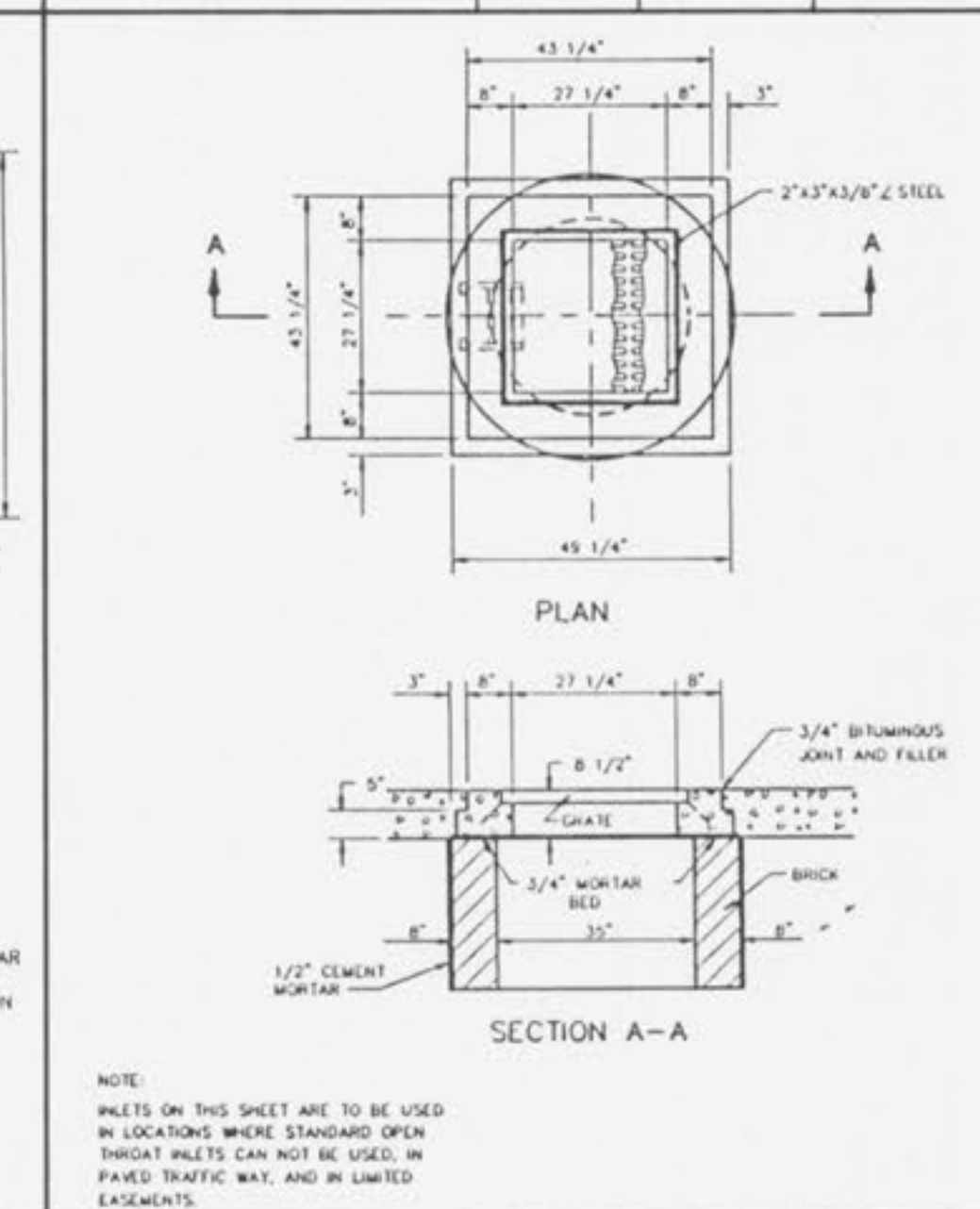
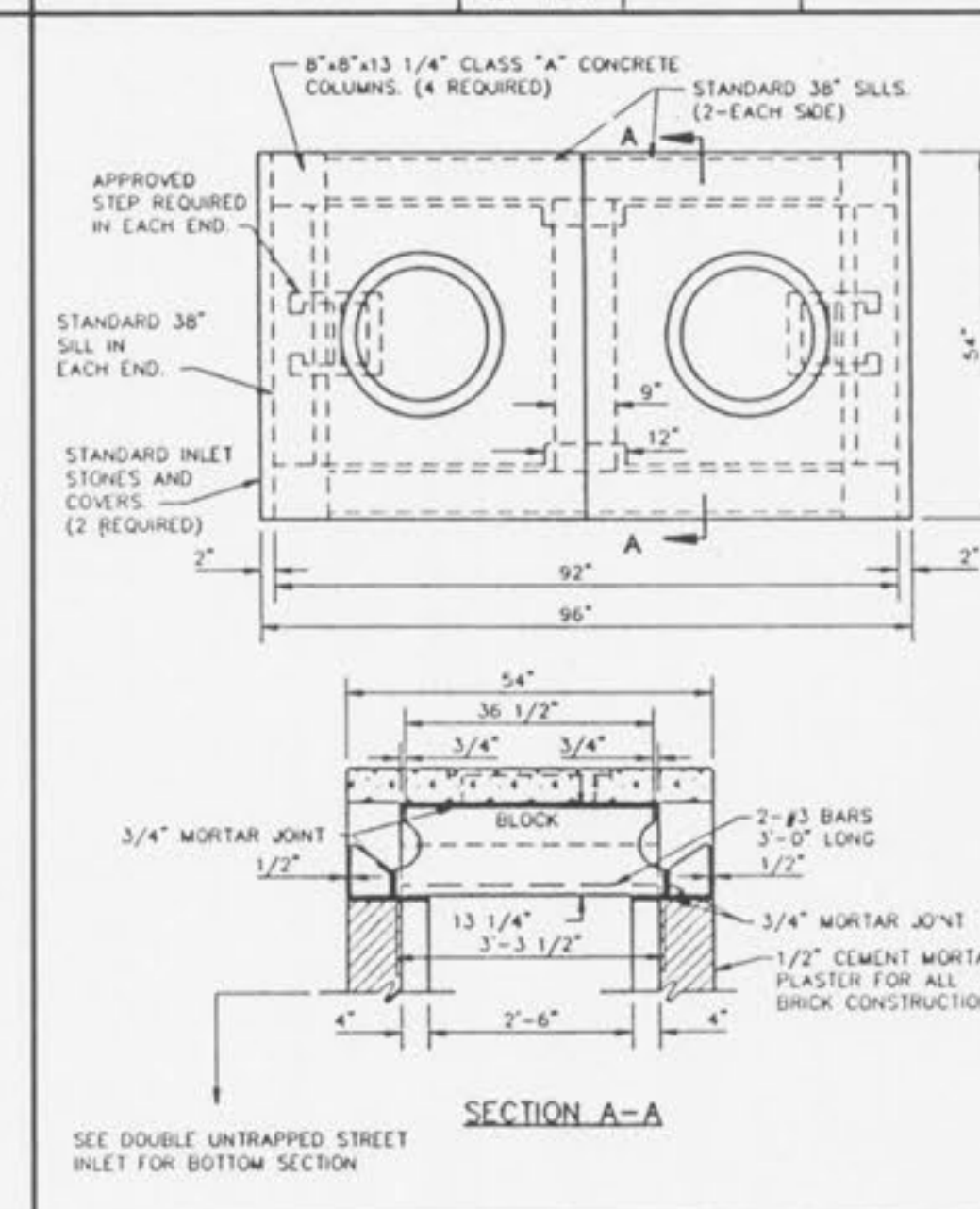
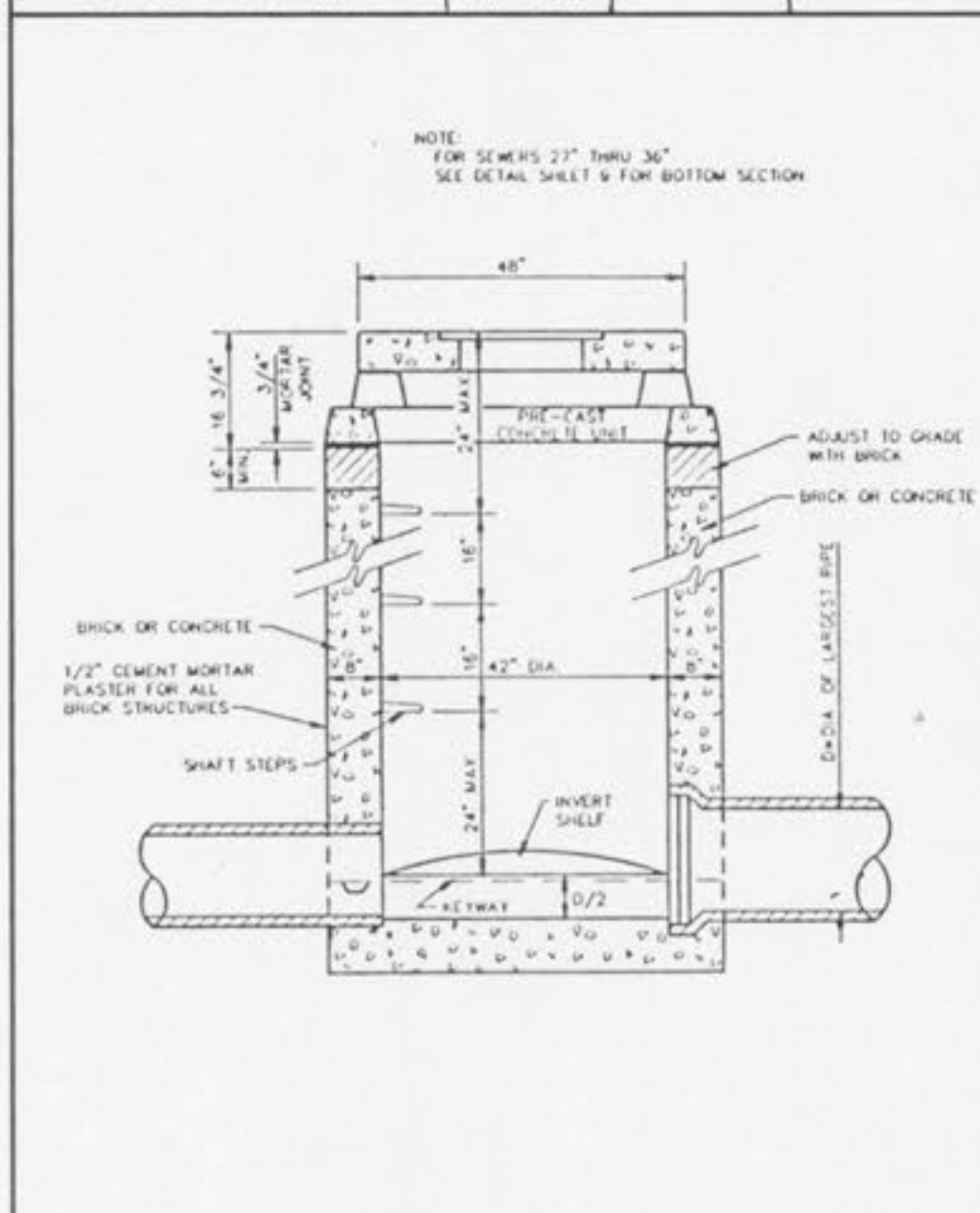
METROPOLITAN ST. LOUIS SEWER DISTRICT Standard Details of Sewer Construction

UNTRAPPED STREET INLET BRICK CONSTRUCTION

TRAPPED STREET INLET BRICK CONSTRUCTION

MULTIPLE STREET INLET BRICK CONSTRUCTION

DOUBLE UNTRAPPED STREET INLET BRICK CONSTRUCTION



AREA INLET MANHOLE (12" THRU 24")

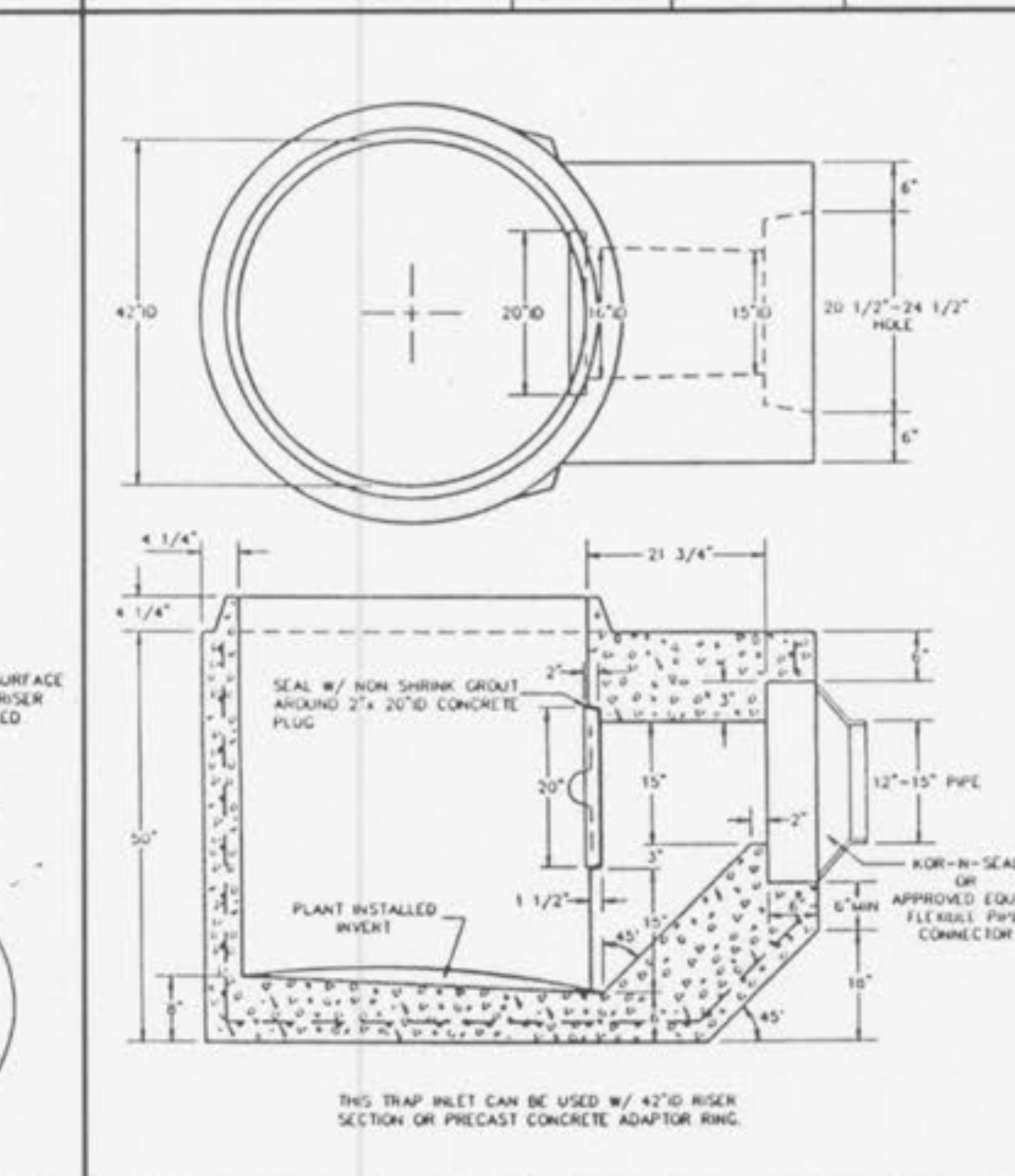
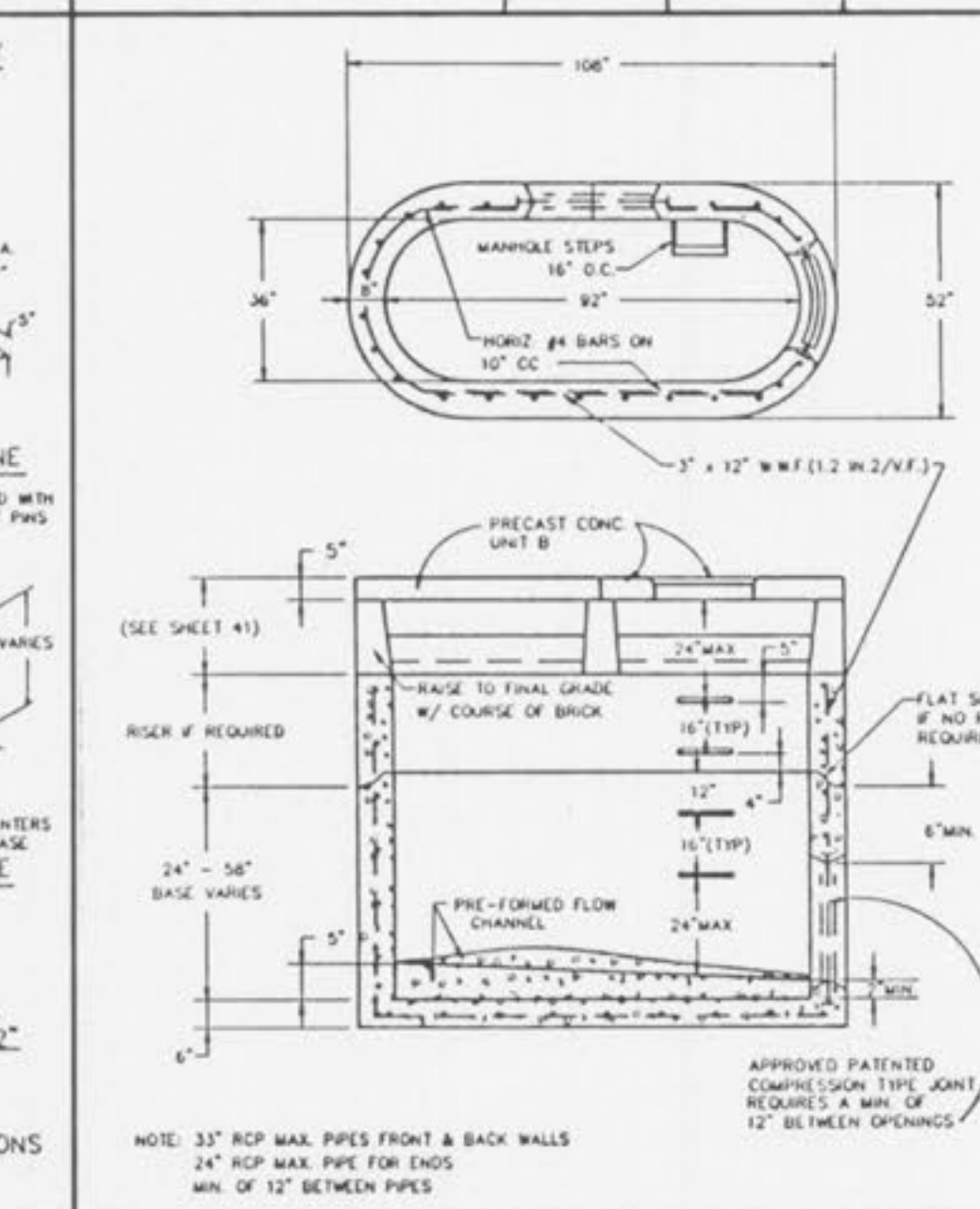
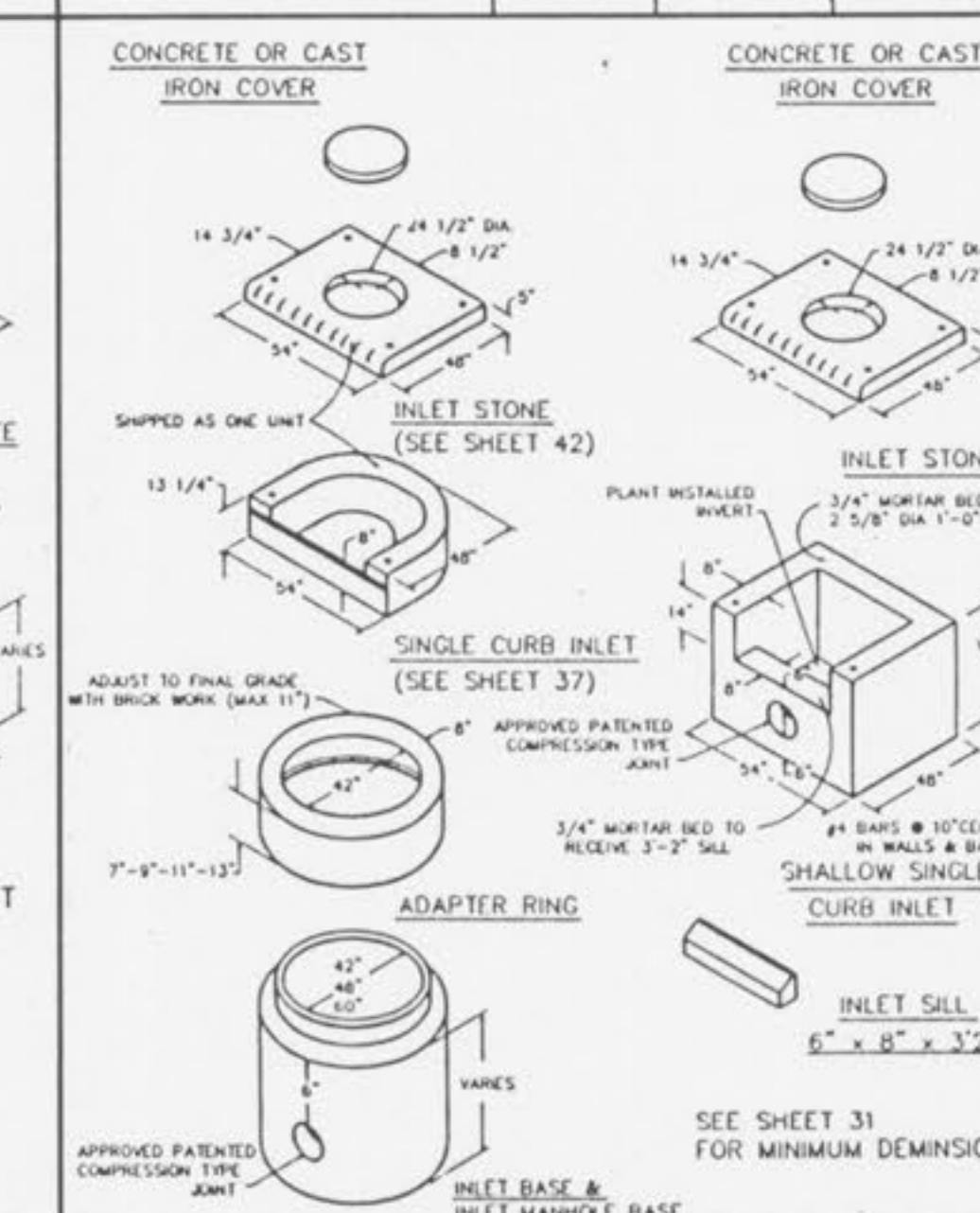
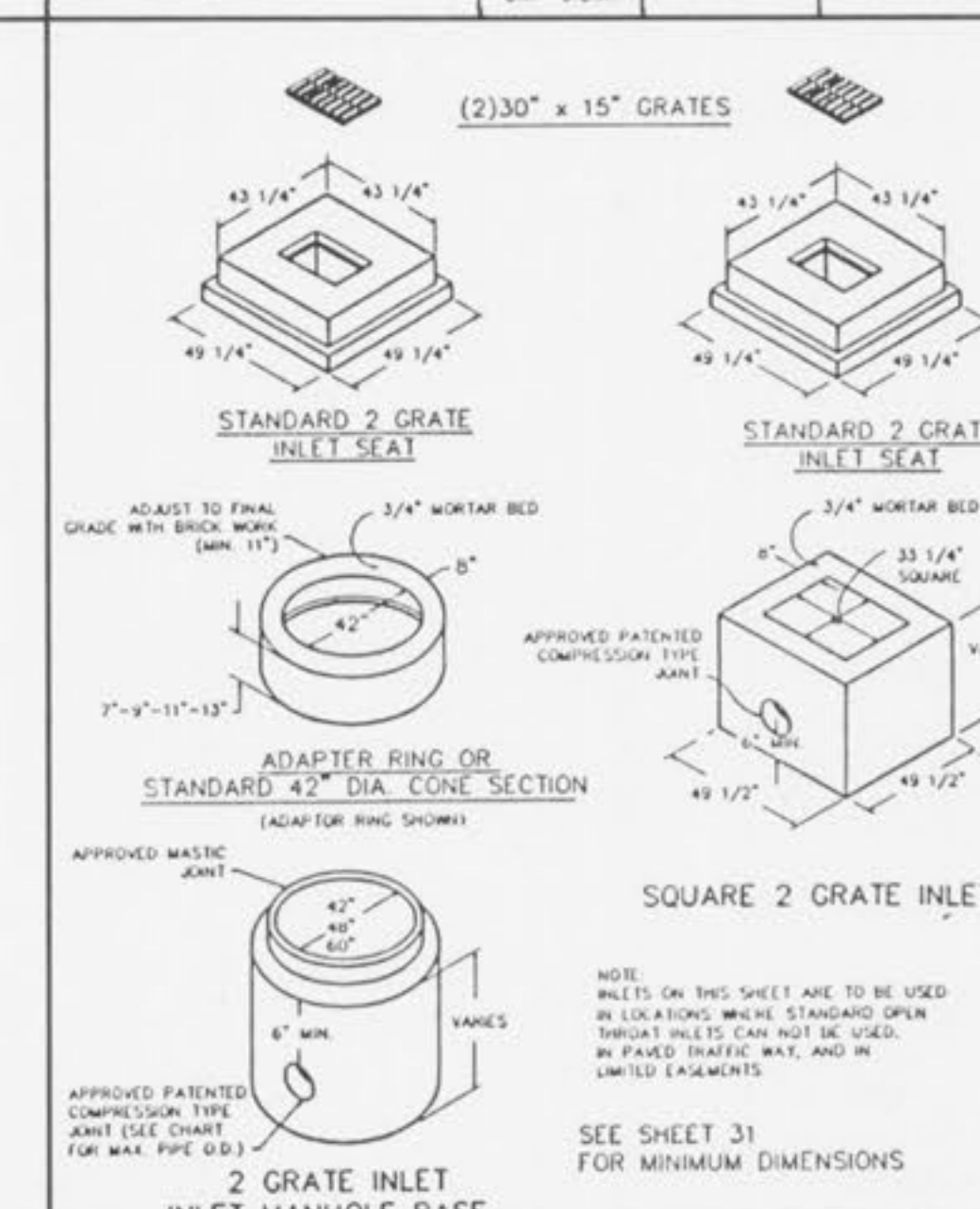
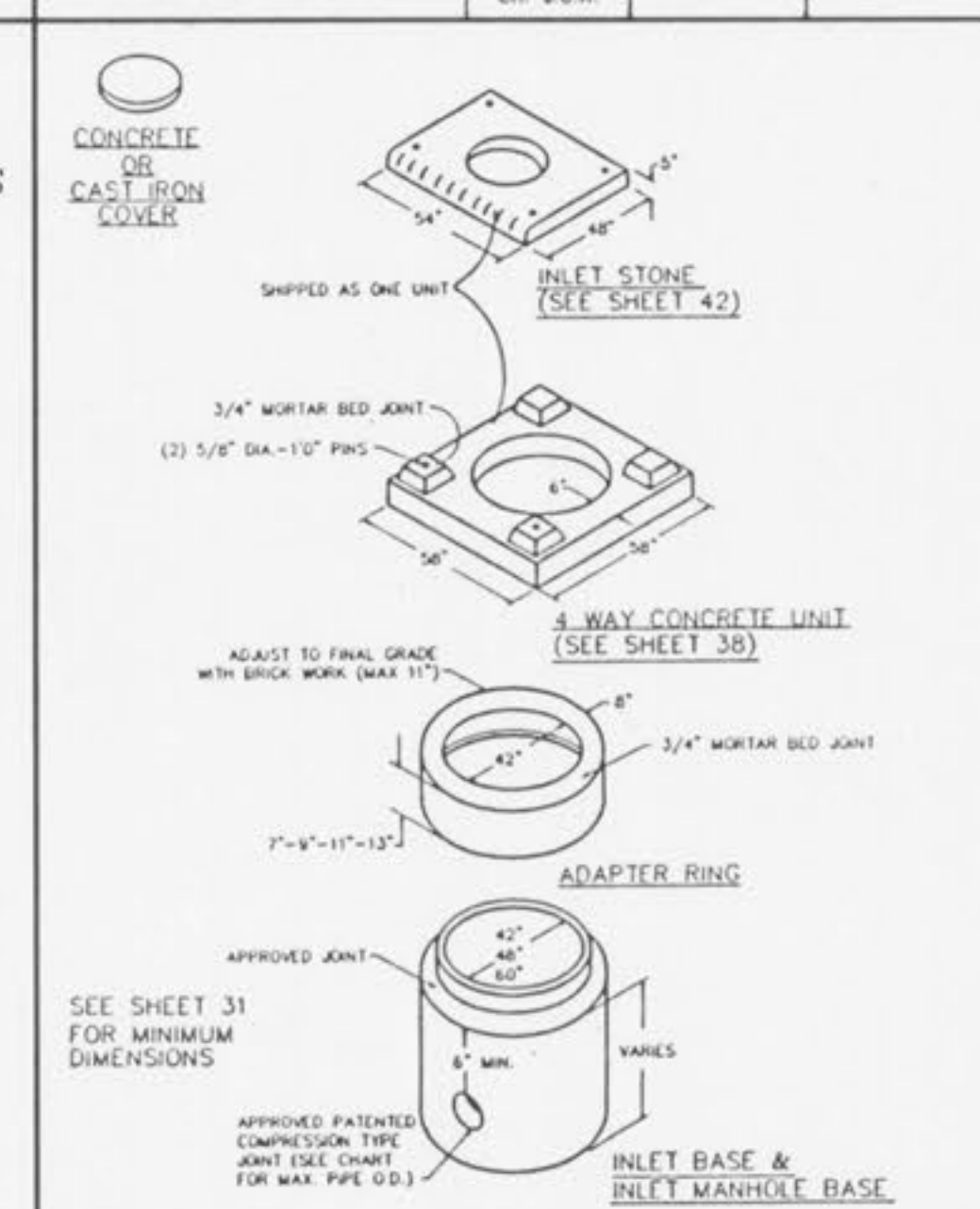
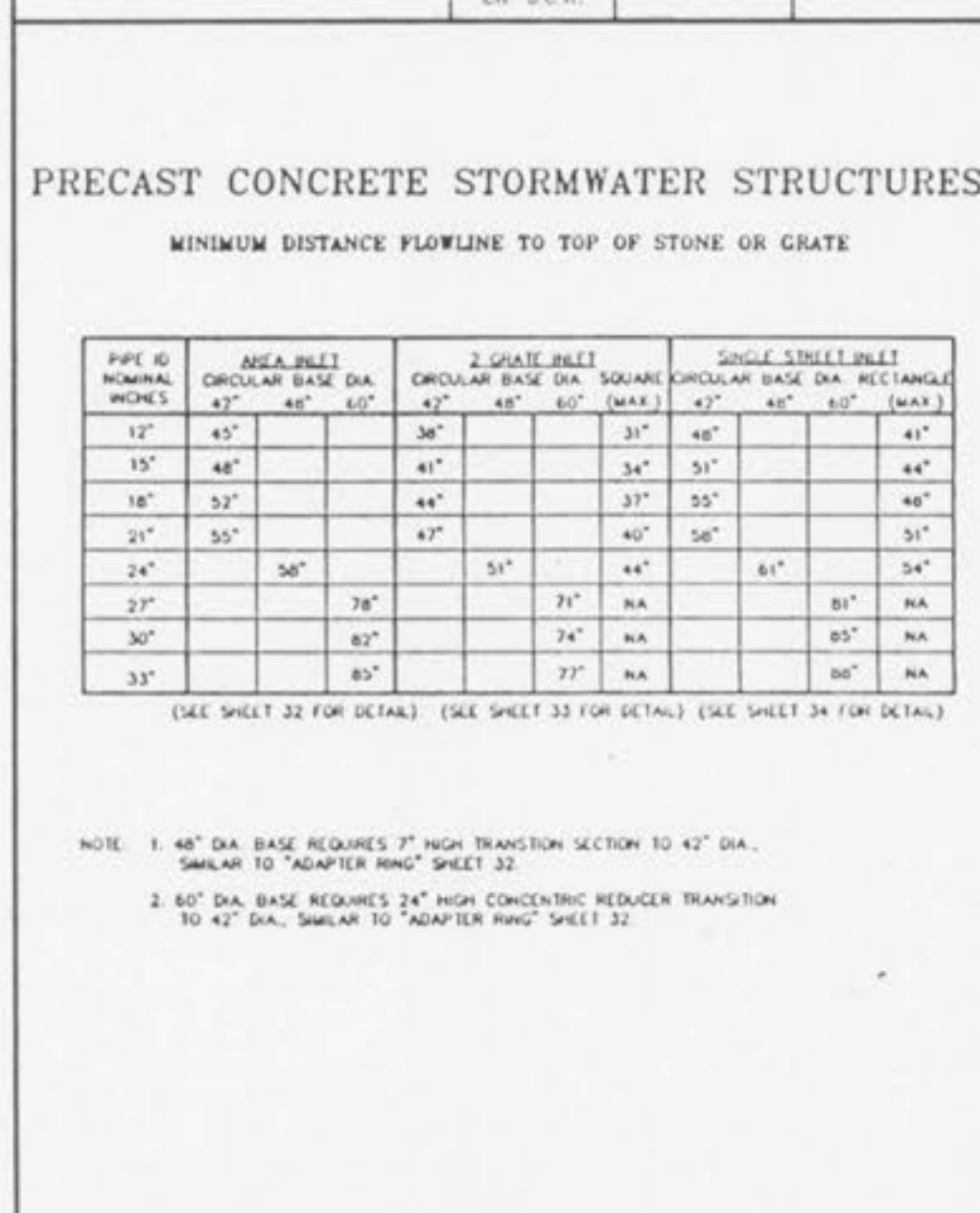
DOUBLE AREA INLET OPEN 4 SIDES BRICK CONSTRUCTION

2 GRATE INLET BRICK CONSTRUCTION

2 GRATE INLET WITH SIDE INTAKE BRICK CONSTRUCTION

3 & 4 GRATE INLET BRICK CONSTRUCTION

6 & 8 GRATE INLET BRICK CONSTRUCTION



PRECAST CONCRETE STORMWATER STRUCTURES

AREA INLET PRECAST CONCRETE

2 GRATE INLETS PRECAST CONCRETE

SINGLE STREET INLETS PRECAST CONCRETE

DOUBLE UNTRAPPED STREET INLET PRECAST CONCRETE

TRAPPED STREET INLET BASE PRECAST CONCRETE