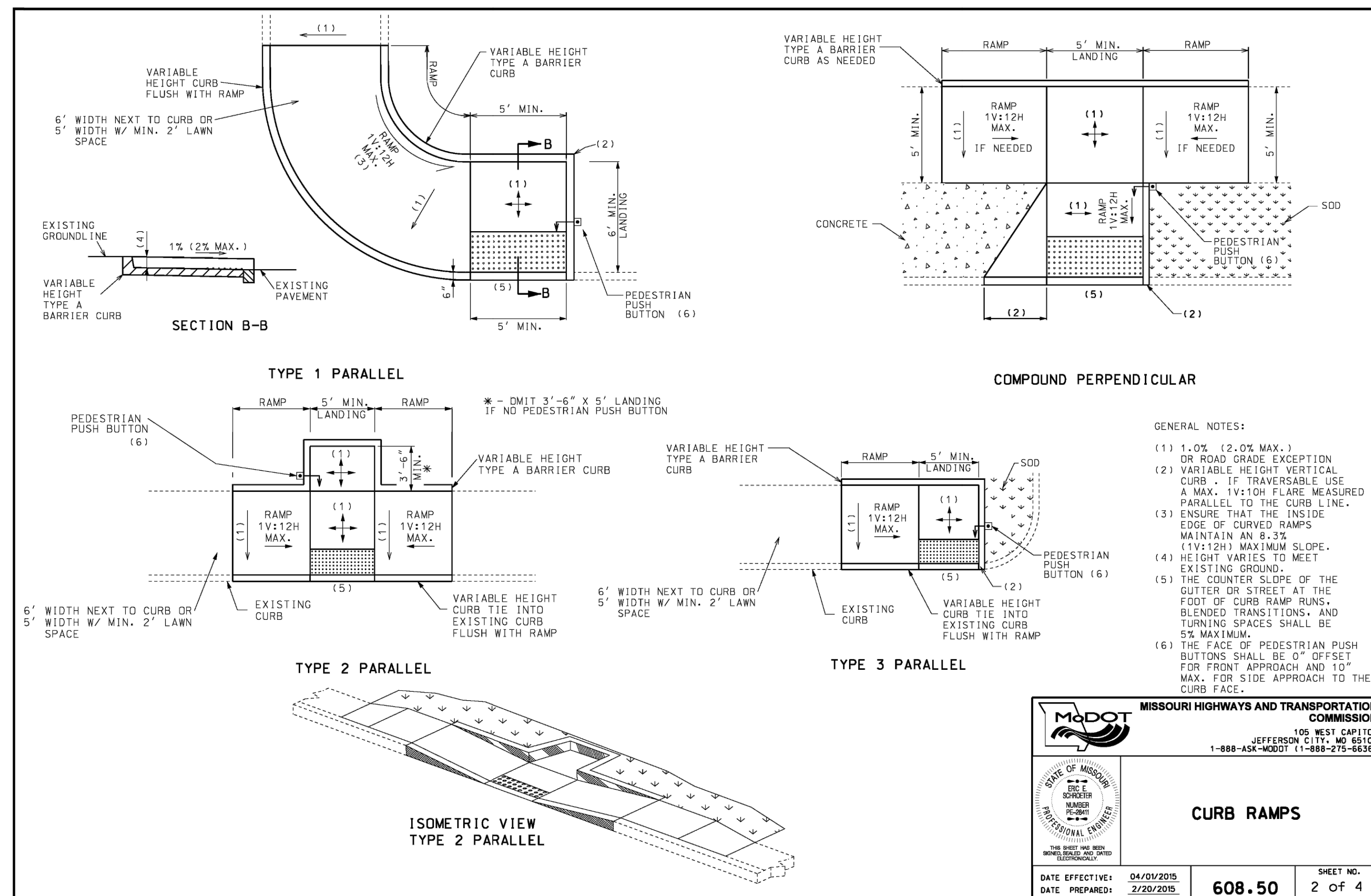


**MISSOURI HIGHWAYS AND TRANSPORTATION COMMISSION**  
108 WEST CAPITOL JEFFERSON CITY, MO 65102  
1-888-ASK-MODOT (1-888-275-6636)

**CURB RAMPS**

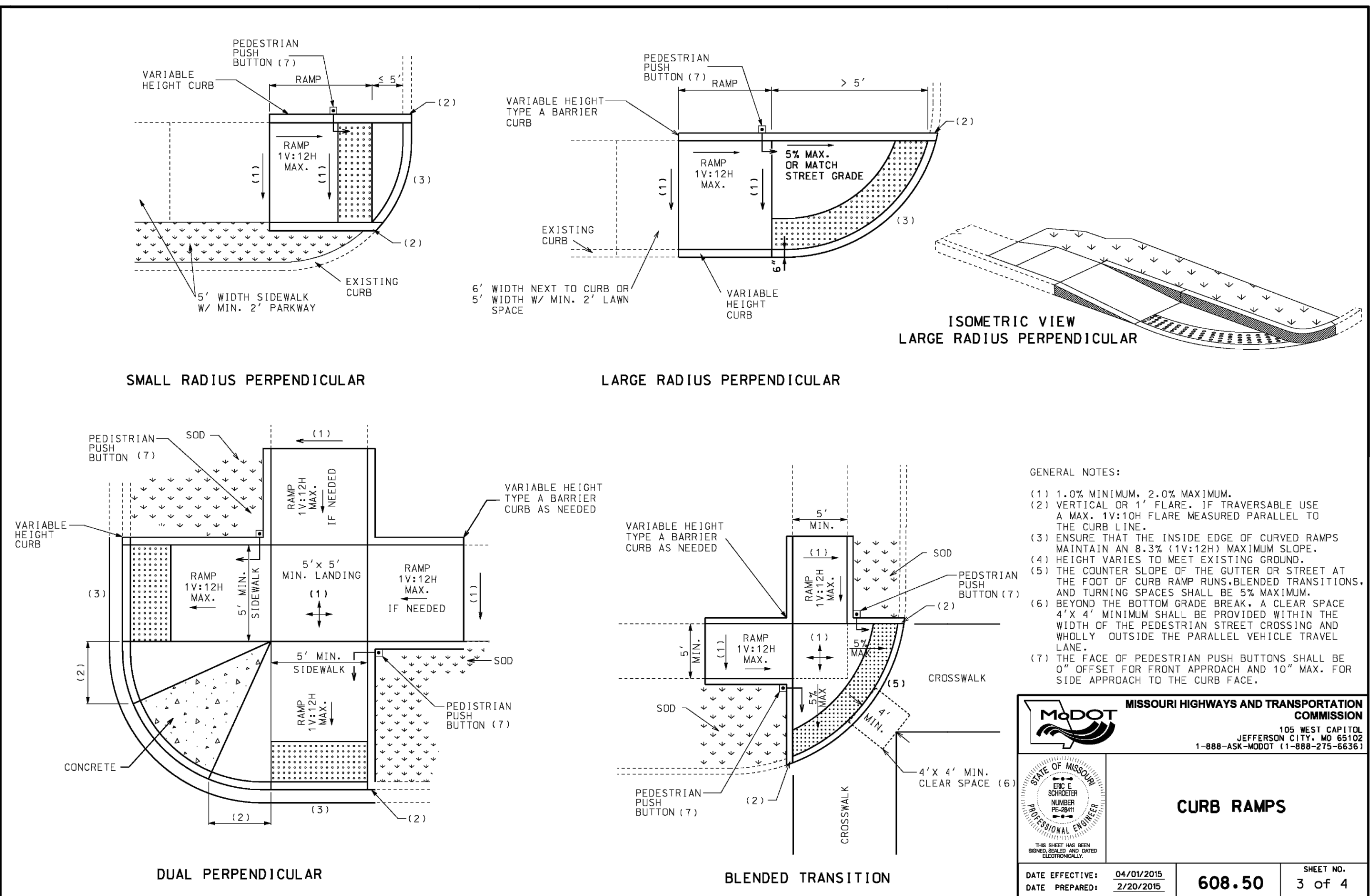
DATE EFFECTIVE: 04/01/2015  
DATE PREPARED: 2/20/2015  
**608.50** SHEET NO. 1 OF 4



**MISSOURI HIGHWAYS AND TRANSPORTATION COMMISSION**  
108 WEST CAPITOL JEFFERSON CITY, MO 65102  
1-888-ASK-MODOT (1-888-275-6636)

**CURB RAMPS**

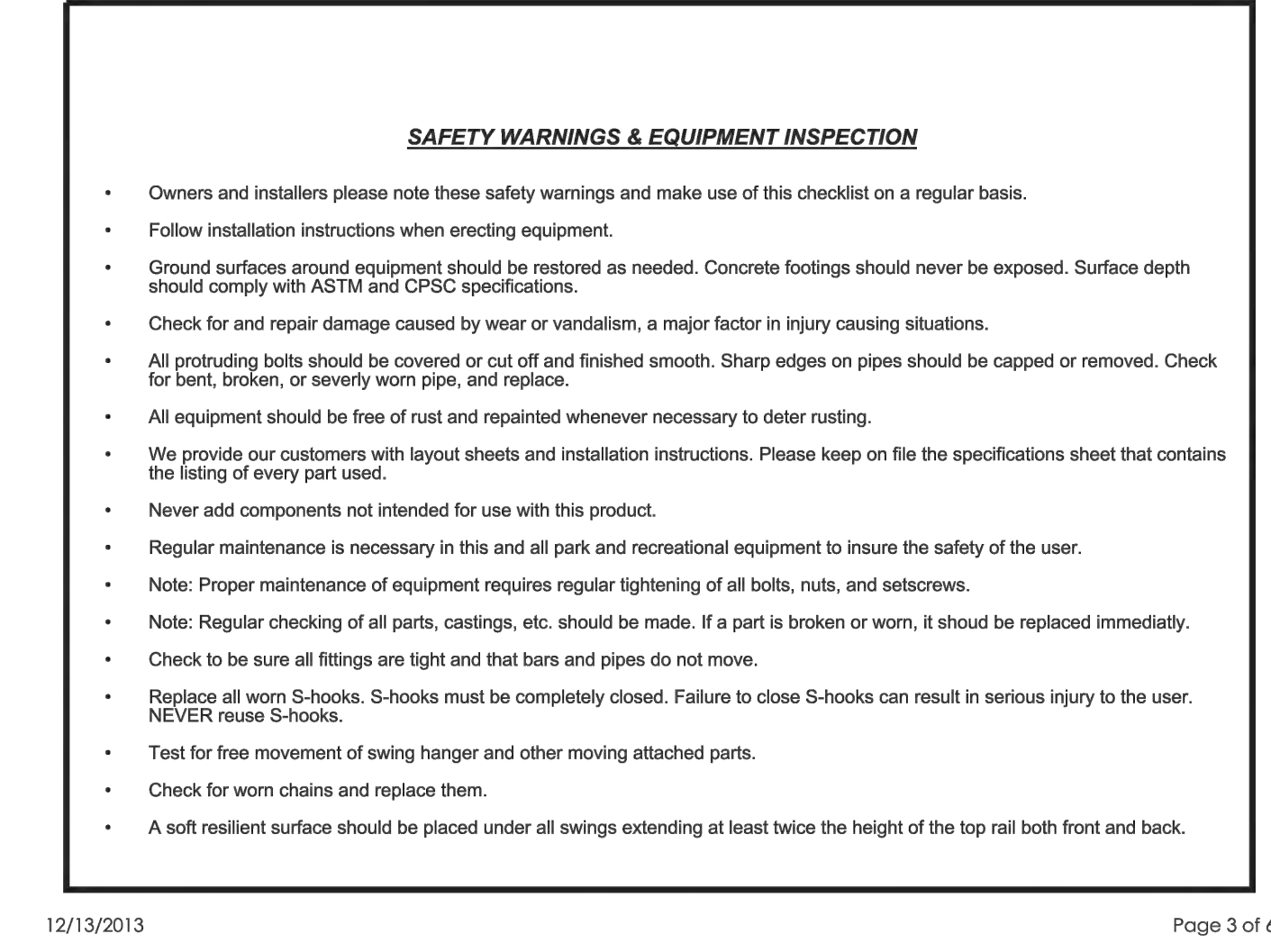
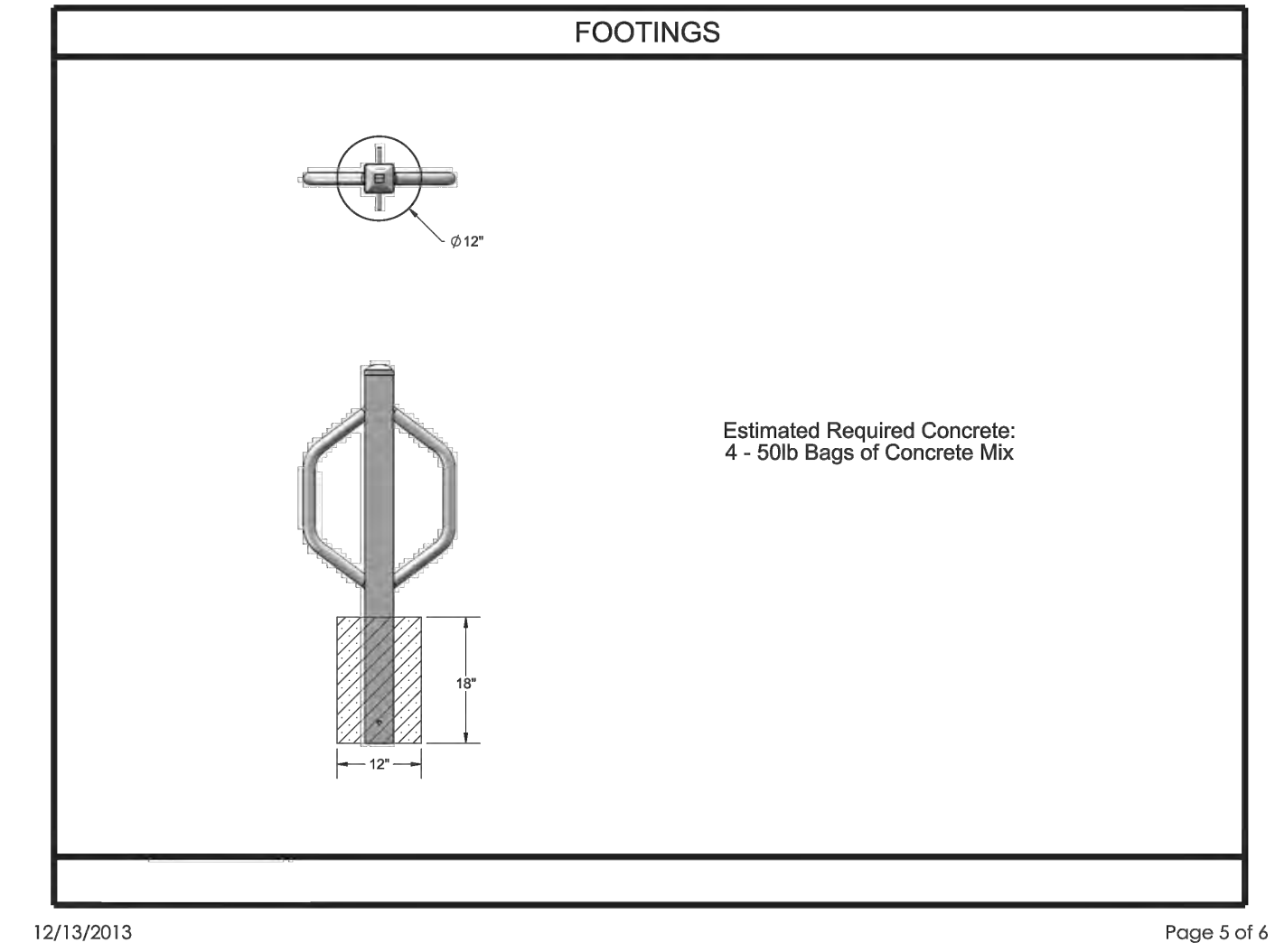
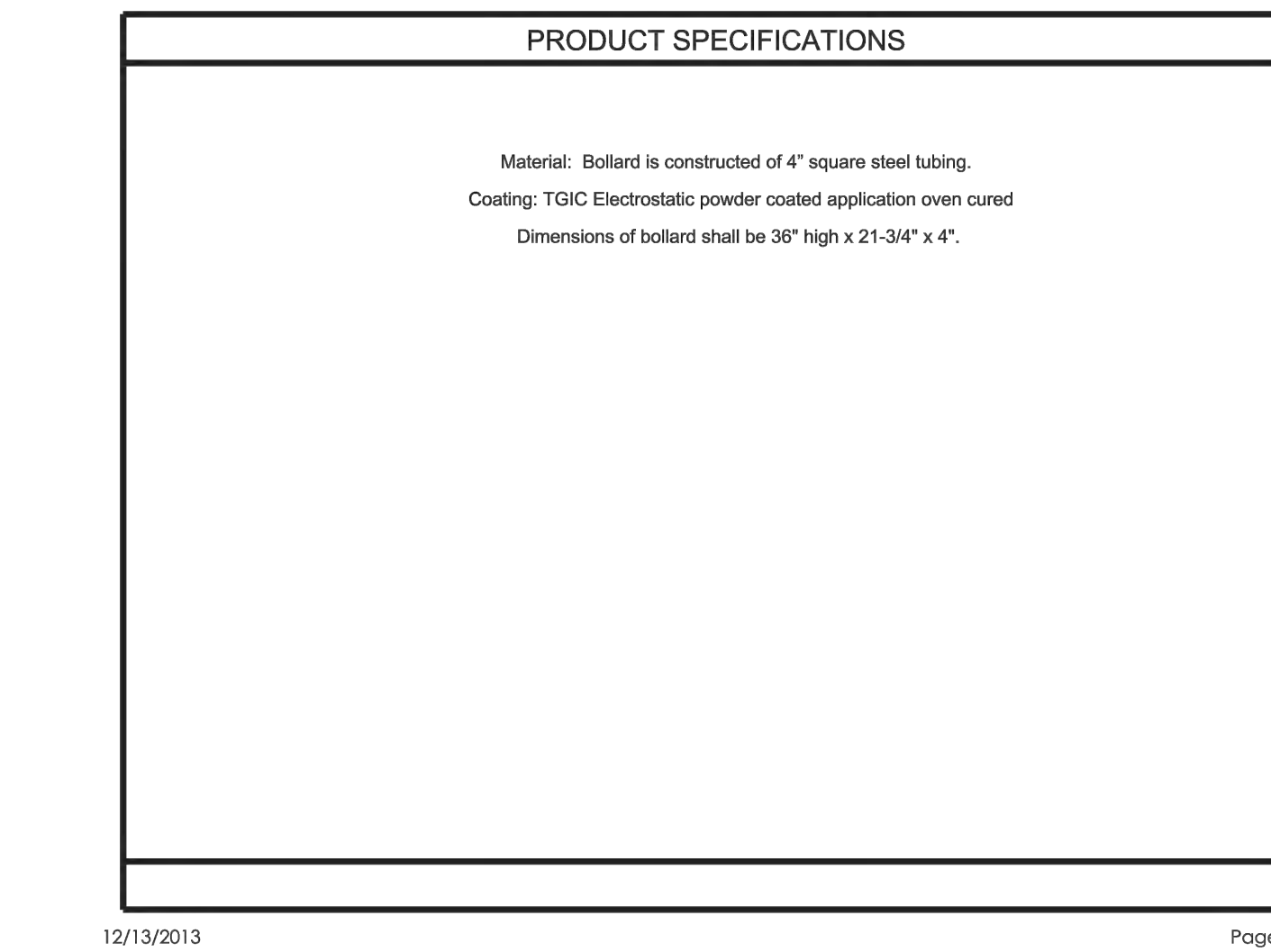
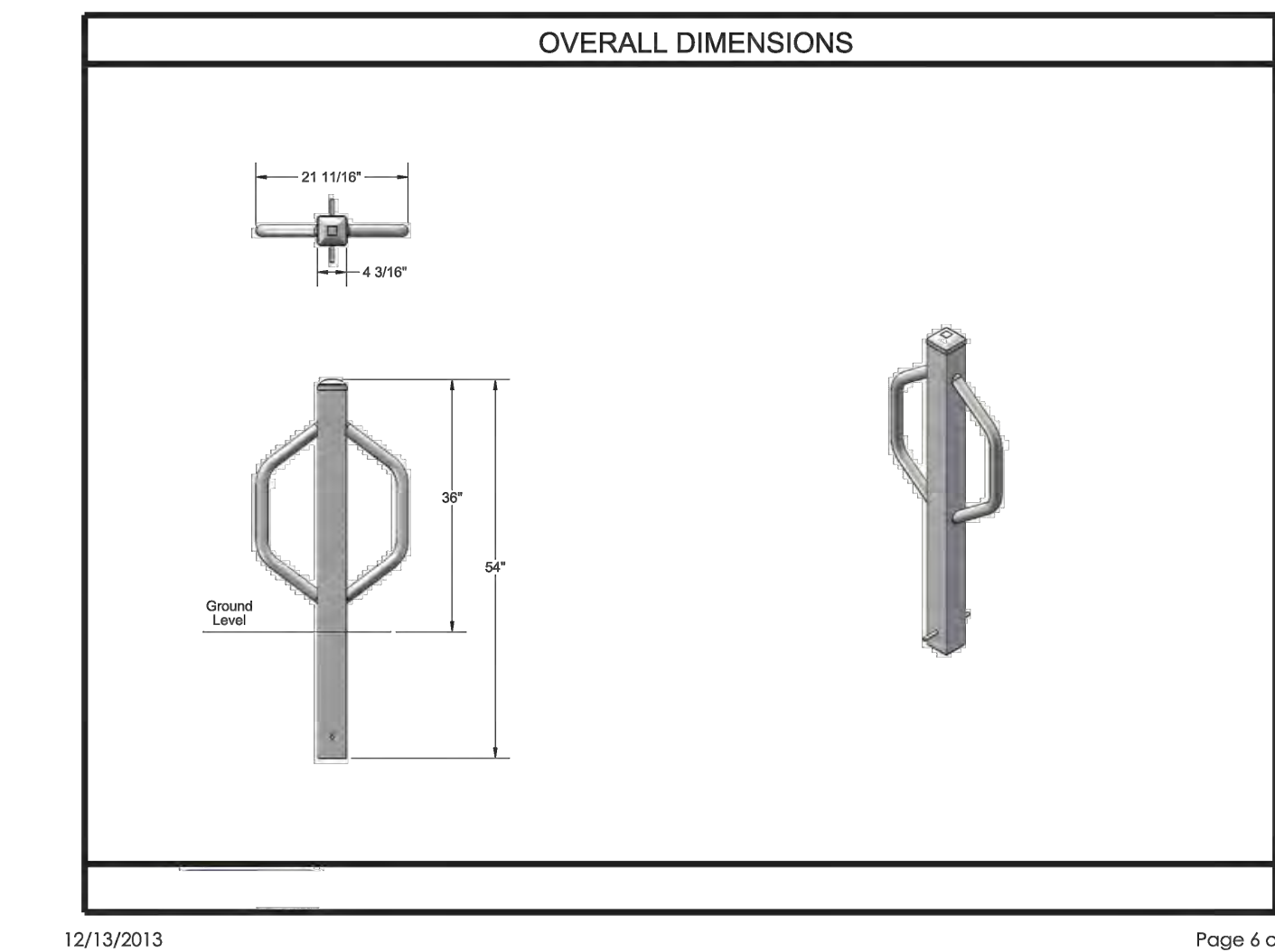
DATE EFFECTIVE: 04/01/2015  
DATE PREPARED: 2/20/2015  
**608.50** SHEET NO. 2 OF 4



**MISSOURI HIGHWAYS AND TRANSPORTATION COMMISSION**  
108 WEST CAPITOL JEFFERSON CITY, MO 65102  
1-888-ASK-MODOT (1-888-275-6636)

**CURB RAMPS**

DATE EFFECTIVE: 04/01/2015  
DATE PREPARED: 2/20/2015  
**608.50** SHEET NO. 3 OF 4



NOTE: ALL ACCESSIBLE RAMPS SHALL PORTLAND CEMENT CONCRETE

BICYCLE RACK DETAIL

NOT TO SCALE

Architect:  
**MT STUDIO**  
210 South Market St., Suite B  
Troy, OH 45373  
p 937.760.3884  
mtwiss@gomtstudio.com

Civil Engineer:  
**RDC**  
REYLING DESIGN & CONSULTING  
4516 Boardwalk | Smithton, IL 62285  
reylingdc@gmail.com

Missouri State License: 2016012969  
MO Certificate of Authority: LC001485066

RDC Project No. 20-115

**STATE OF MISSOURI**  
TODD JEFFREY REYLING  
REGISTERED PROFESSIONAL ENGINEER  
LICENSE EXPIRES - 12.31.2023  
DATE SIGNED - 12.01.2021

ENGINEER OF RECORD:  
Todd J. Reyling, PE  
Missouri PE 2011020072



New Ground Up Building for:  
**PLANET FITNESS**  
914 Highway K  
O'Fallon, MO 63366  
St. Charles County  
MTSTUDIO PROJECT NUMBER:

ISSUED / REVISED	DATE
ISSUED TO CITY	05.12.2021
REVISED PER CITY/MODOT COMMENTS	07.20.2021
REVISED PER CITY/MODOT COMMENTS	08.10.2021
REVISED FOR RETAINING WALL	11.19.2021
REVISED PER CITY COMMENTS	12.01.2021

Civil Construction Details  
**C701**