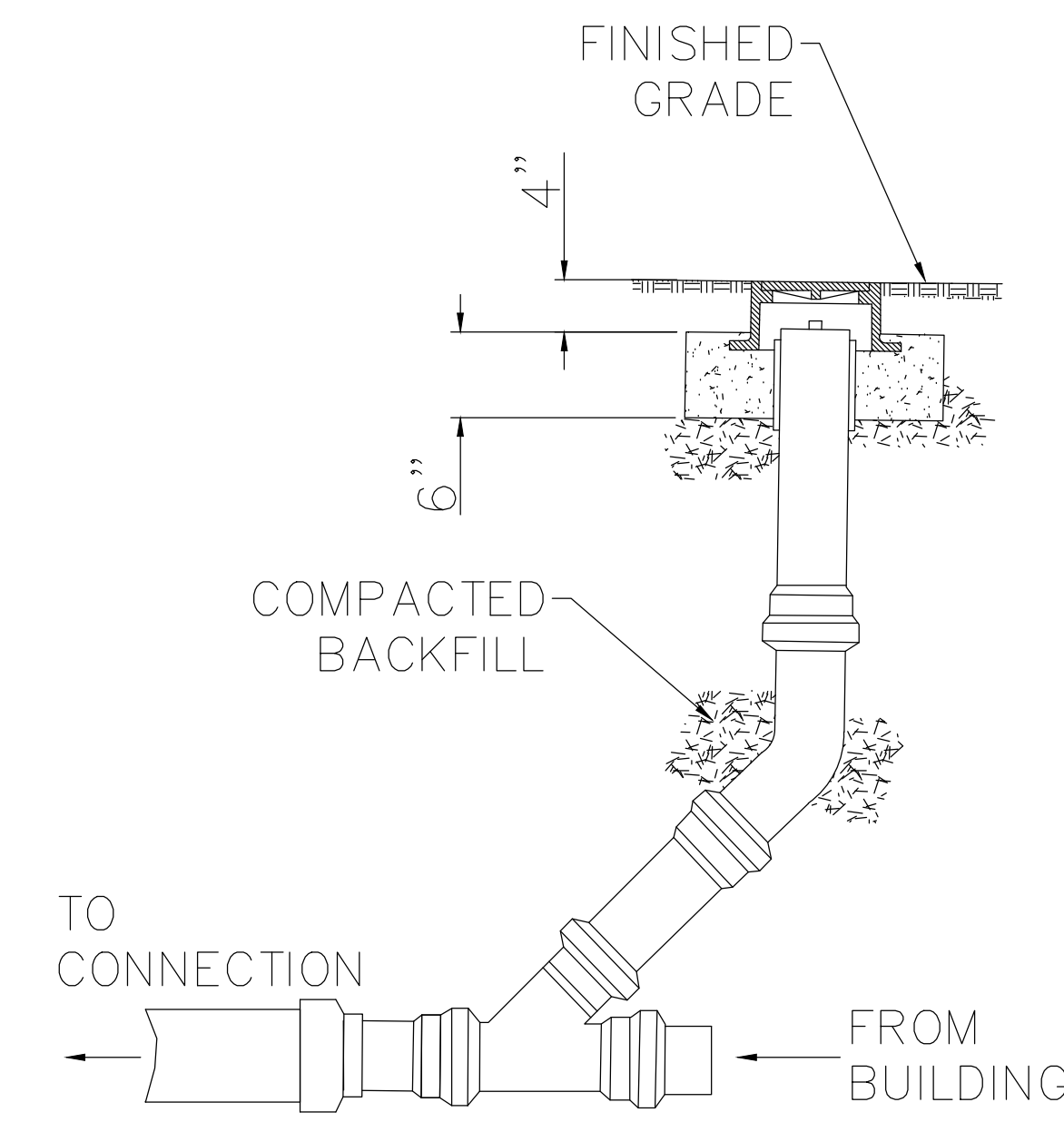


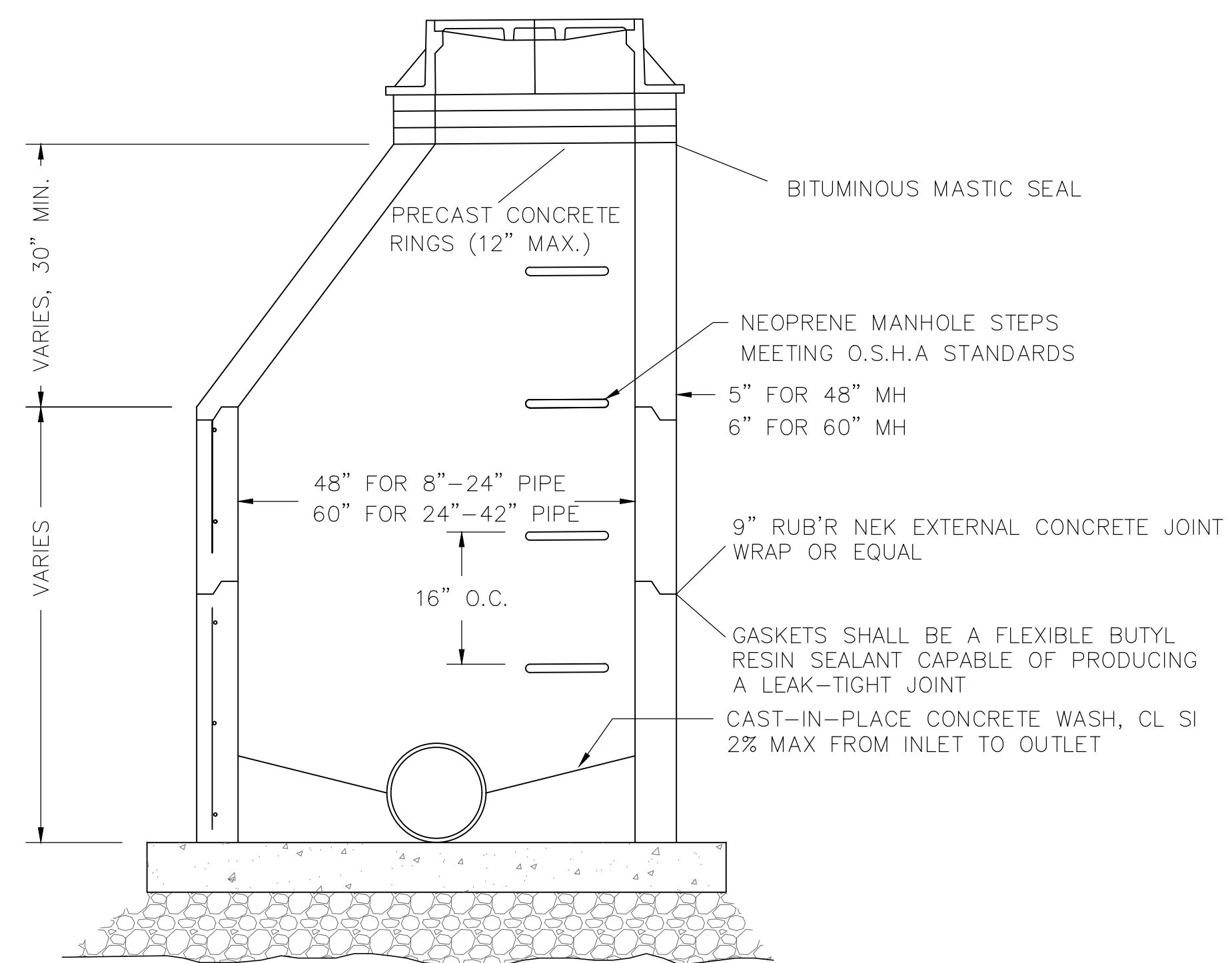
PIPE BEDDING CLASS "C"
(MODIFIED FOR REINFORCED
CONCRETE PIPE)

METROPOLITAN ST. LOUIS SEWER DISTRICT <i>Standard Details of Sewer Construction</i>			
Dr. W.S.H. Ch. J.C.K.	2009	SHEET 5	



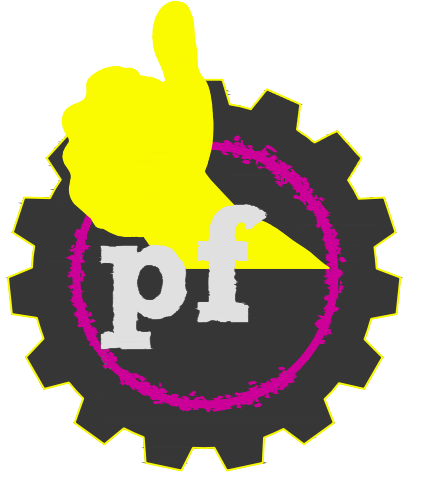
SANITARY SEWER CLEANOUT DETAIL

NOT TO SCALE



SANITARY SEWER MANHOLE DETAIL

NOT TO SCALE



New Ground Up Building for:
PLANET FITNESS
914 Highway K
O'Fallon, MO 63366
St. Charles County
MTSTUDIO PROJECT NUMBER:

ISSUED / REVISED	DATE
ISSUED TO CITY	05.12.2021
REVISED PER CITY COMMENTS	07.20.2021
REVISED PER CITY COMMENTS	08.10.2021
REVISED FOR RETAINING WALL	11.19.2021
REVISED PER CITY COMMENTS	12.01.2021