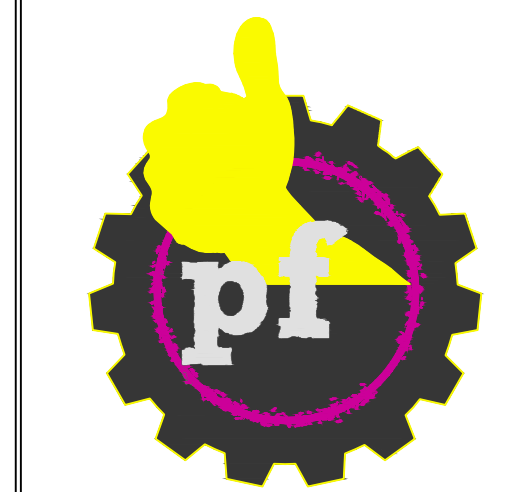


CITY OF O'FALLON
ENGINEERING DEPARTMENT
O'FALLON, MISSOURI

WATER AND SEWER SEPARATION DETAIL

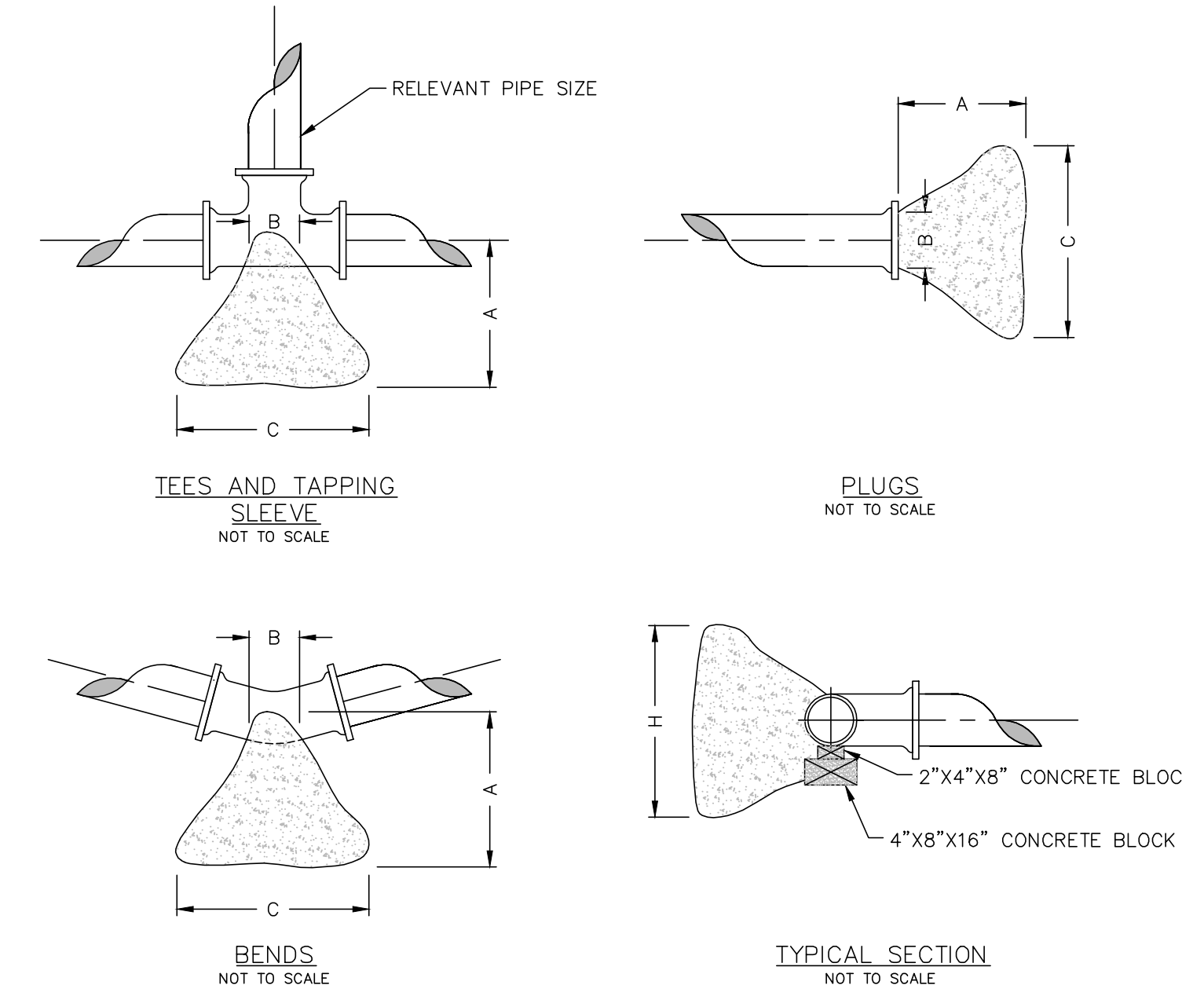


New Ground Up Building for:
PLANET FITNESS
914 Highway K
O'Fallon, MO 63366
St. Charles County
MTSTUDIO PROJECT NUMBER:

| ISSUED / REVISED | DATE |
|--------------------------------|------------|
| ISSUED TO CITY | 05.12.2021 |
| REVISED PER CITY/NOTO COMMENTS | 07.20.2021 |
| REVISED PER CITY/NOTO COMMENTS | 08.10.2021 |
| REVISED FOR RETAINING WALL | 11.19.2021 |
| REVISED PER CITY COMMENTS | 12.01.2021 |

Civil Construction Details

C705



| THRUST BLOCK DIMENSIONS - INCHES | | | | | | | | | | | | |
|----------------------------------|-----------|----|------------------|----|----------------|----|----------------|----|-------------|----|-------------|----|
| PIPE DIA. | ALL FTGS. | | TEE PLUG TAPPING | | 90 DEGREE BEND | | 45 DEGREE BEND | | 22-1/2 BEND | | 11-1/4 BEND | |
| | A | B | C | H | C | H | C | H | C | H | C | H |
| 4 | 14 | 4 | 24 | 12 | 26 | 15 | 18 | 12 | 12 | 12 | 12 | 12 |
| 6 | 16 | 6 | 36 | 18 | 36 | 24 | 30 | 18 | 24 | 12 | 12 | 12 |
| 8 | 20 | 8 | 36 | 30 | 42 | 36 | 36 | 24 | 24 | 18 | 18 | 12 |
| 10 | 20 | 10 | 48 | 36 | 66 | 36 | 36 | 36 | 28 | 24 | 18 | 18 |
| 12 | 24 | 12 | 68 | 36 | 82 | 42 | 52 | 36 | 40 | 24 | 28 | 18 |

NOTE
FOR FITTINGS LARGER THAN 12", SPECIAL RESTRAINT DESIGNS ARE REQUIRED.

HORIZONTAL THRUST BLOCKING
DETAIL "C"

