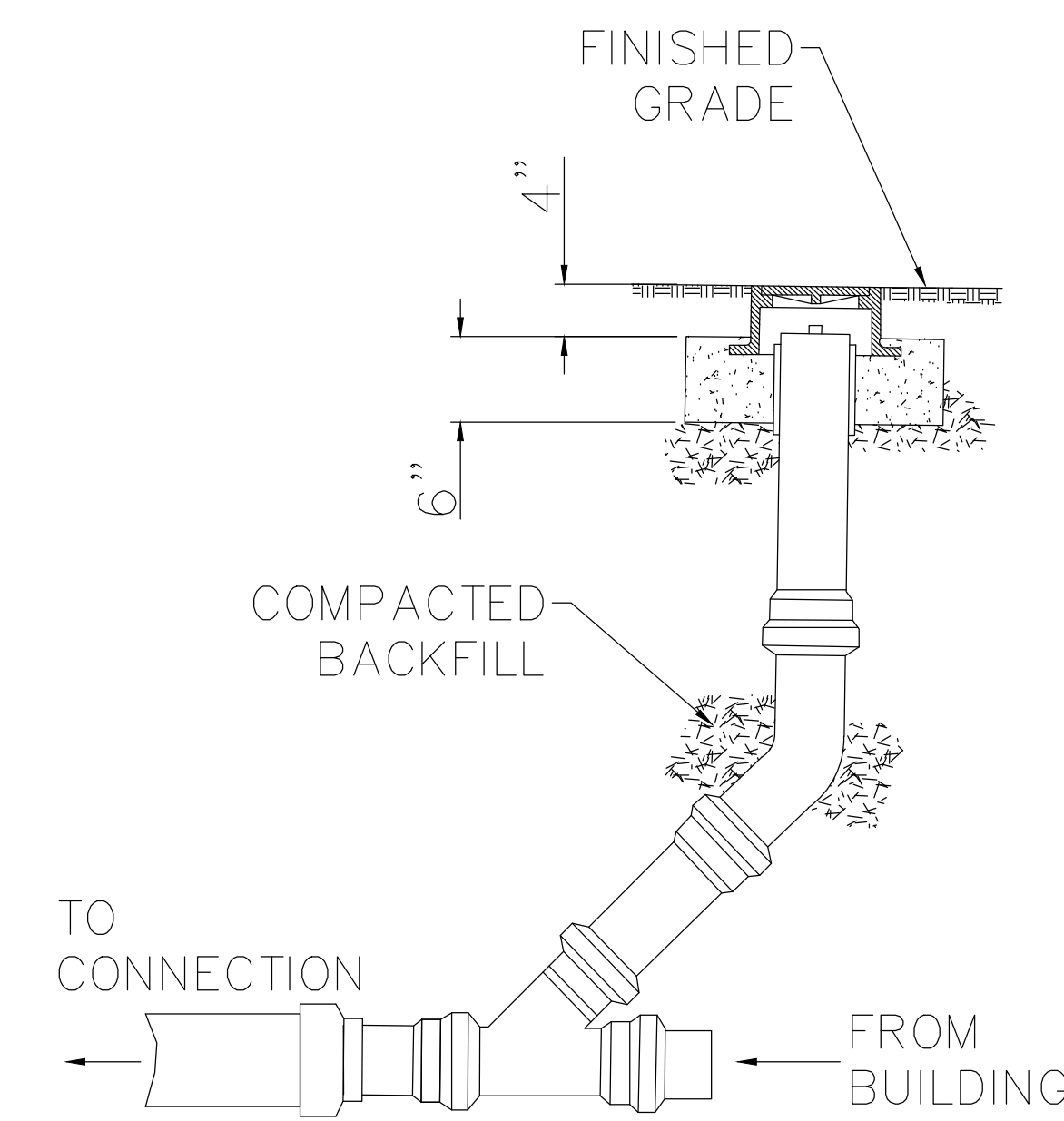
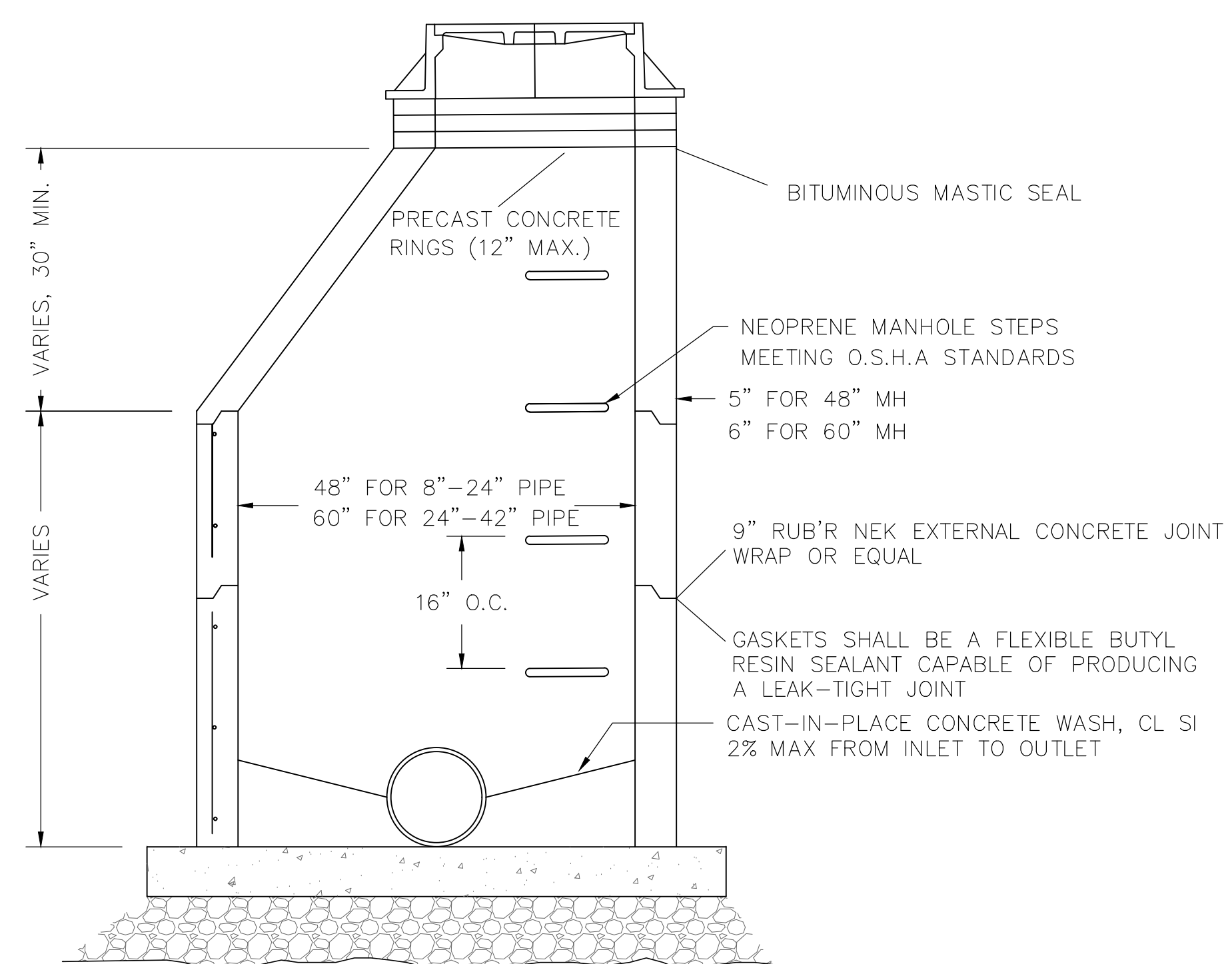


PIPE BEDDING CLASS "C" (MODIFIED FOR REINFORCED CONCRETE PIPE)	METROPOLITAN ST. LOUIS SEWER DISTRICT <i>Standard Details of Sewer Construction</i>		
	Dr. W.S.H. Ch. J.C.K.	2009	SHEET 5



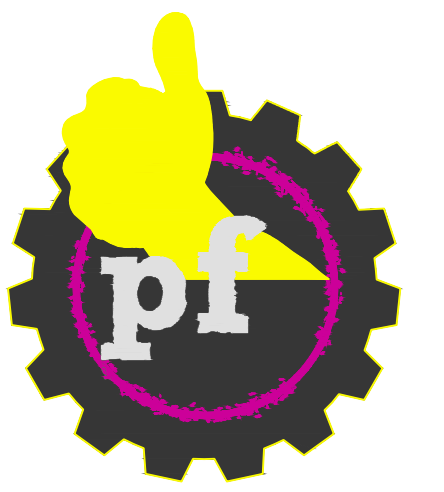
**SANITARY SEWER CLEANOUT DETAIL**

NOT TO SCALE



**SANITARY SEWER MANHOLE DETAIL**

NOT TO SCALE



New Ground Up Building for:  
**PLANET FITNESS**  
914 Highway K  
O'Fallon, MO 63366  
St. Charles County  
MTSTUDIO PROJECT NUMBER:

ISSUED / REVISED	DATE
ISSUED TO CITY	05.12.2021
REVISED PER CITY COMMENTS	07.20.2021
REVISED PER CITY COMMENTS	08.10.2021
REVISED FOR RETAINING WALL	11.19.2021
REVISED PER CITY COMMENTS	12.01.2021