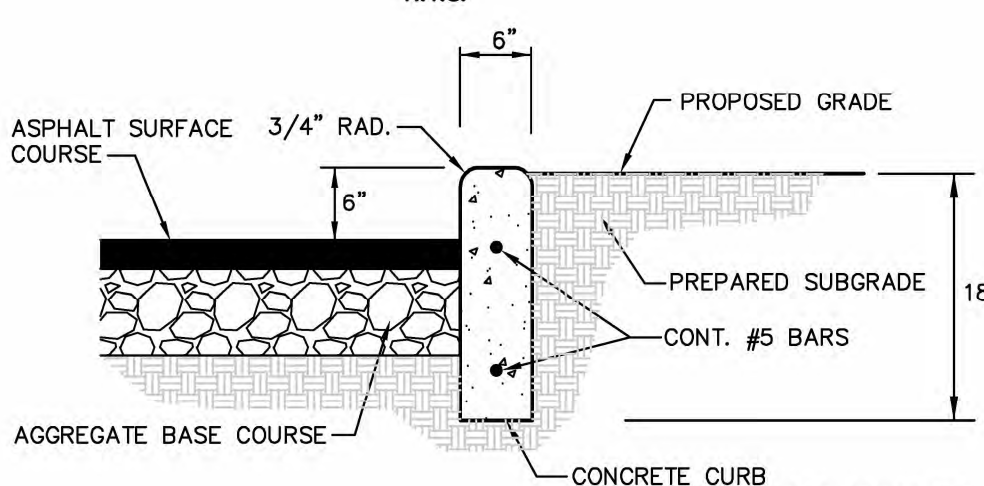
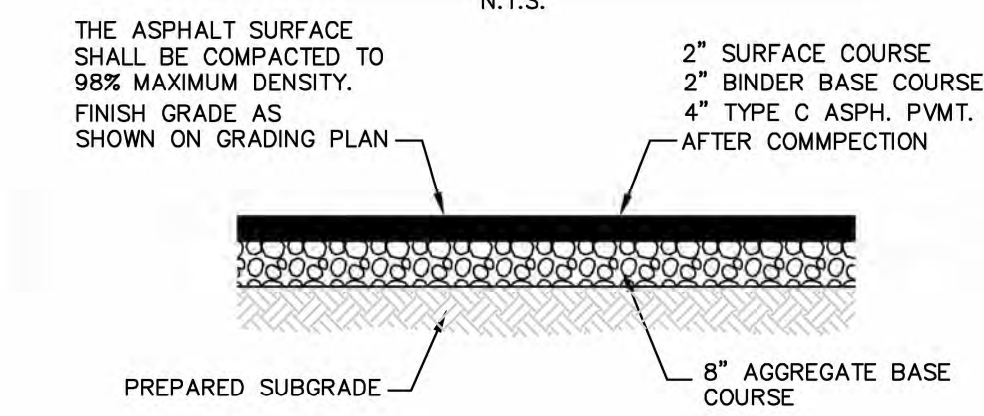


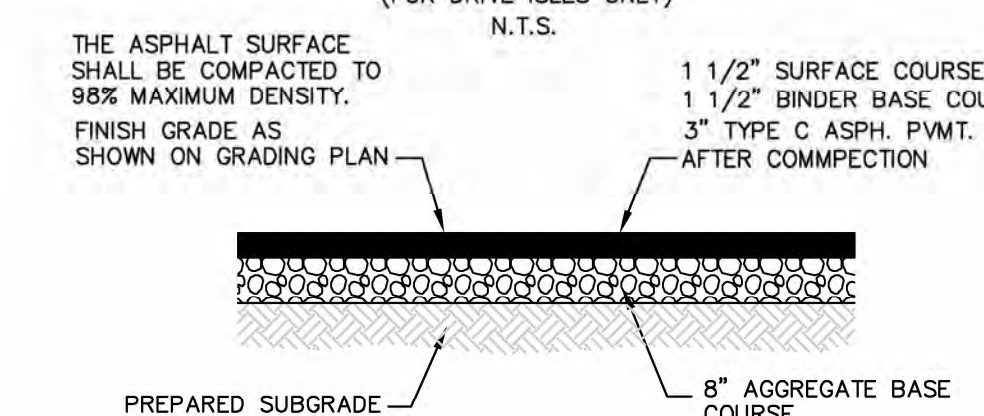
**FLUSH CURB DETAIL**  
N.T.S.



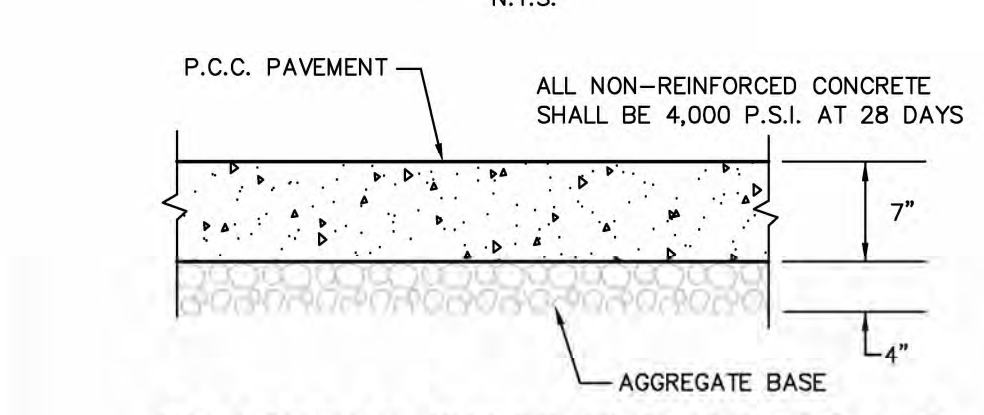
**6\"/>**



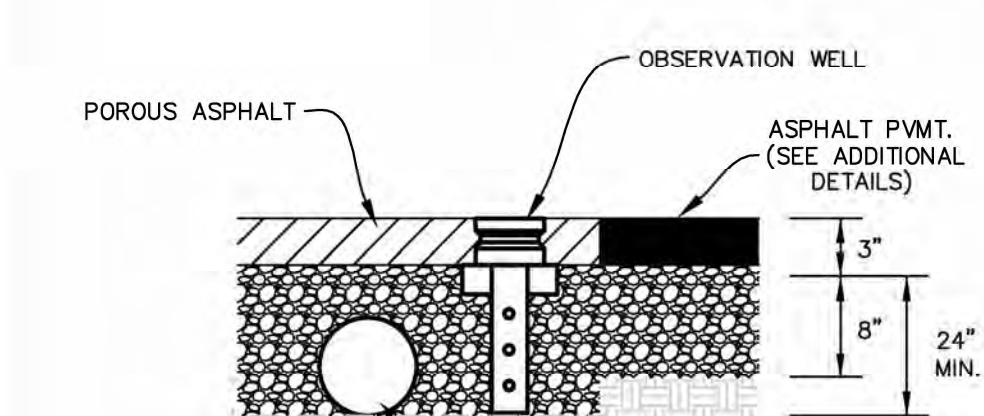
**ASPHALT PAVEMENT DETAIL**  
(FOR DRIVE ISLES ONLY)  
N.T.S.



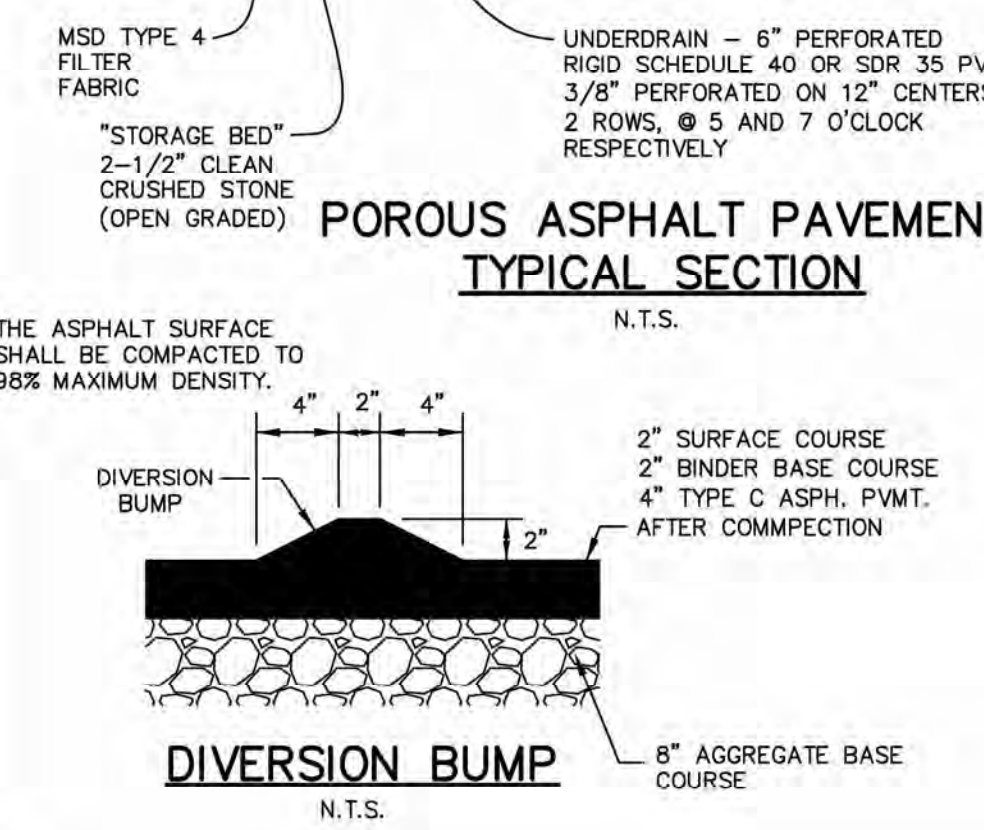
**ASPHALT PAVEMENT DETAIL**  
(FOR PARKING STALLS ONLY)  
N.T.S.



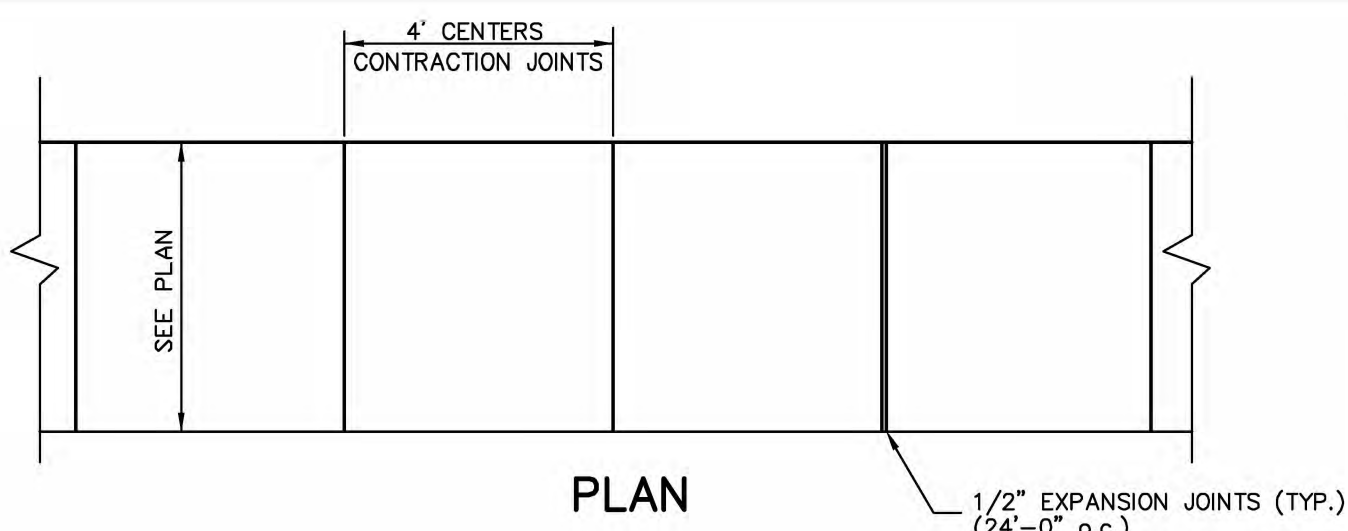
**CONCRETE PAVEMENT SECTION @ TRASH ENCLOSURE AND DRIVE THRU AISLE**  
N.T.S.



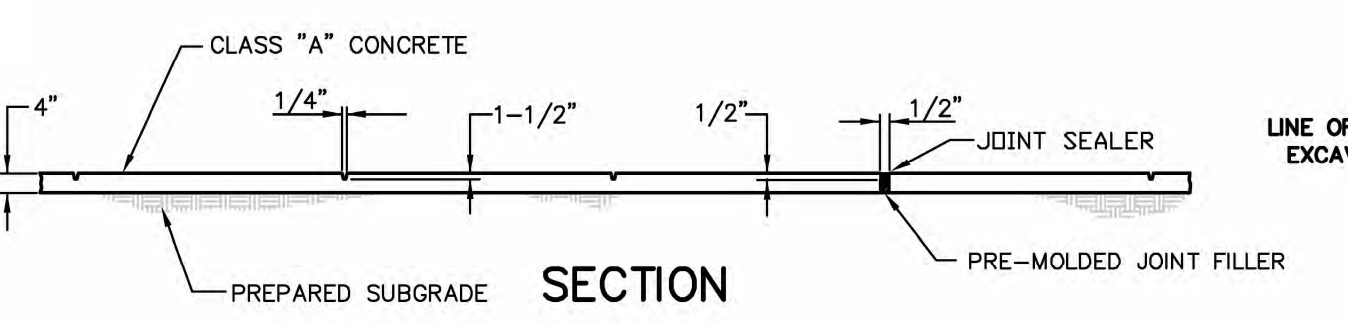
**POROUS ASPHALT PAVEMENT TYPICAL SECTION**  
N.T.S.



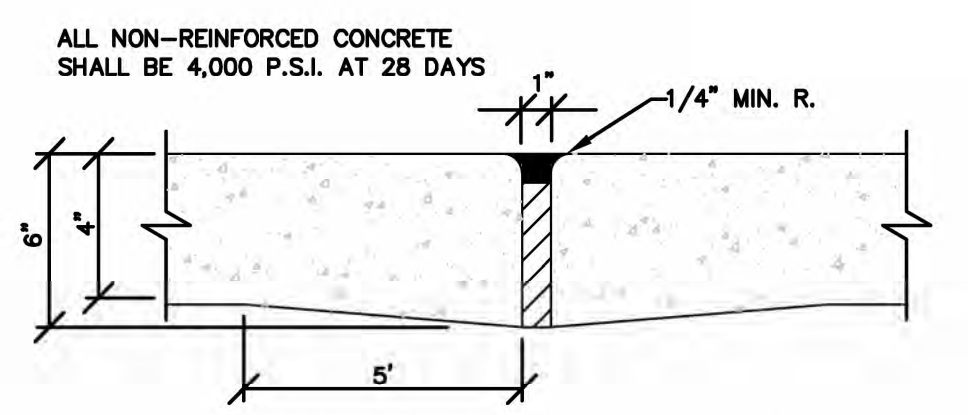
**DIVERSION BUMP**  
N.T.S.



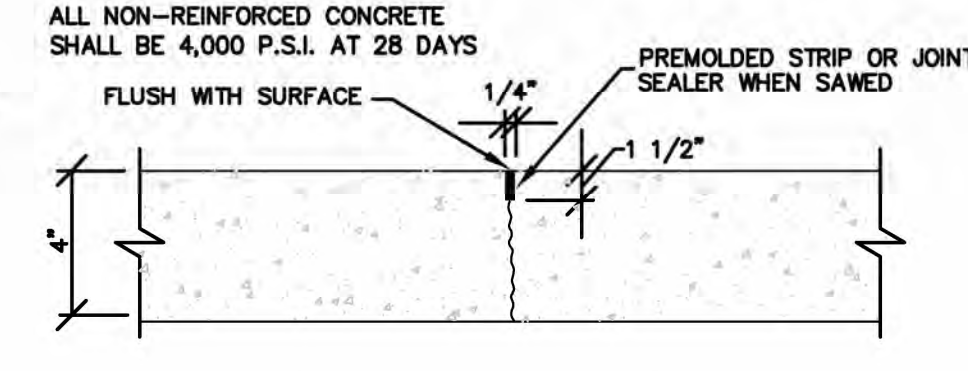
**PLAN**



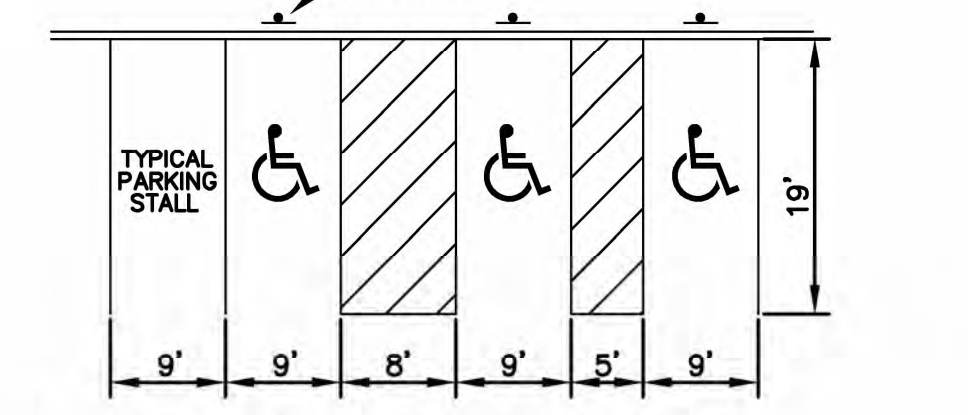
**CONCRETE SIDEWALK DETAIL**  
N.T.S.



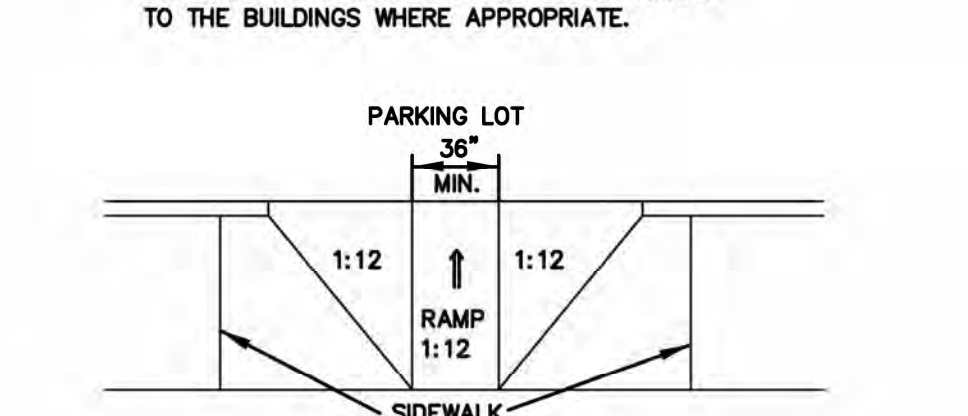
**TYPICAL EXPANSION JOINT TYPE A (4\"/>**



**TYPICAL CONSTRUCTION JOINT TYPE C (4\"/>**

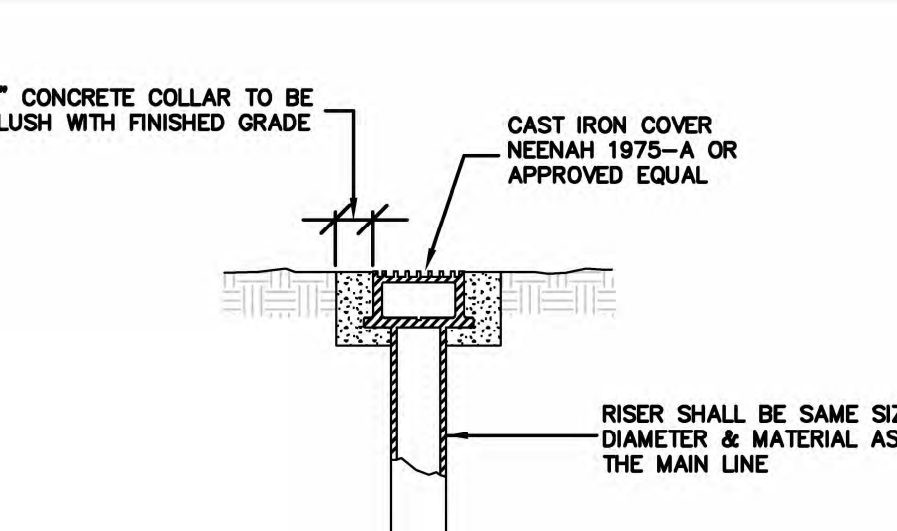


**ACCESSIBLE PARKING SIGN**  
N.T.S.

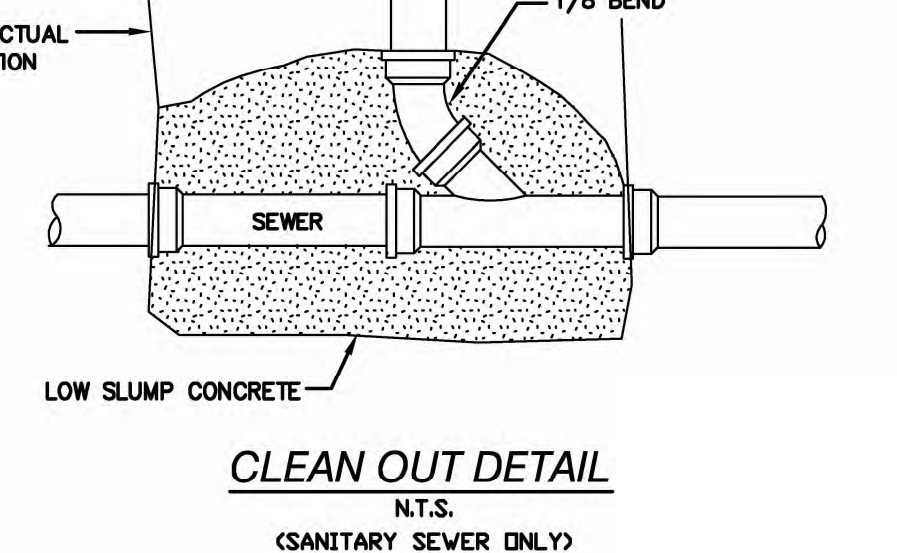


**CURB RAMP DETAIL**  
N.T.S.

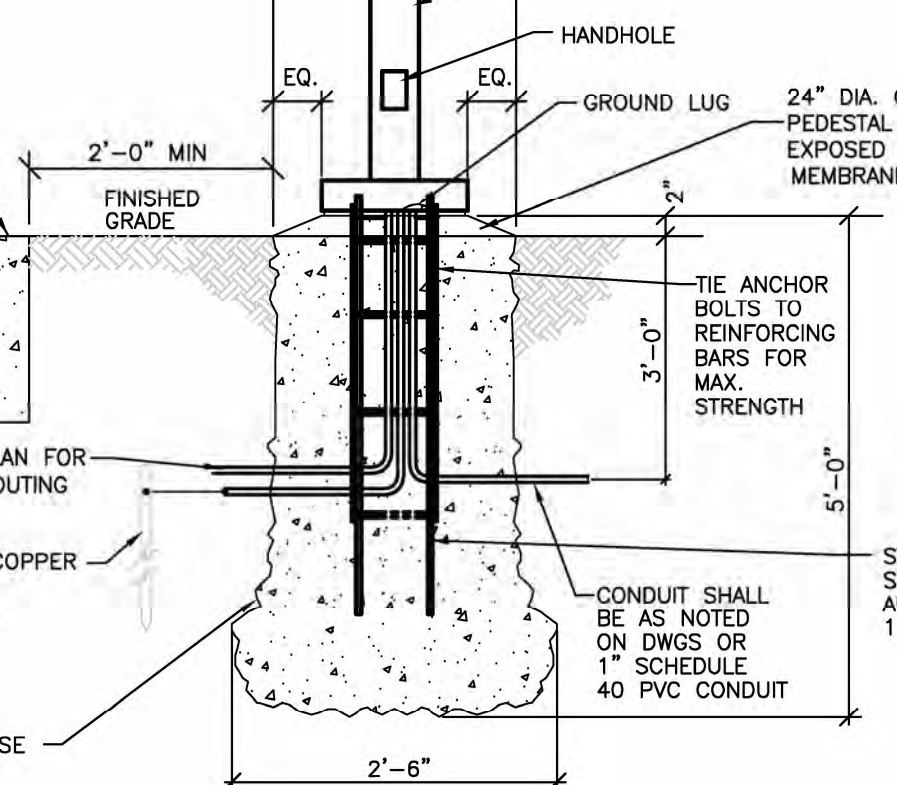
- NOTE:**
1. THERE SHALL BE NO STEP AT BUILDING ENTRANCES.
  2. THERE SHALL BE WHEELCHAIR RAMPS OR DROP CURBS AT ACCESSIBLE SPACES.
  3. CURB RAMP SHALL BE MINIMUM 36\"/>



**CLEAN OUT DETAIL**  
(SANITARY SEWER ONLY)  
N.T.S.



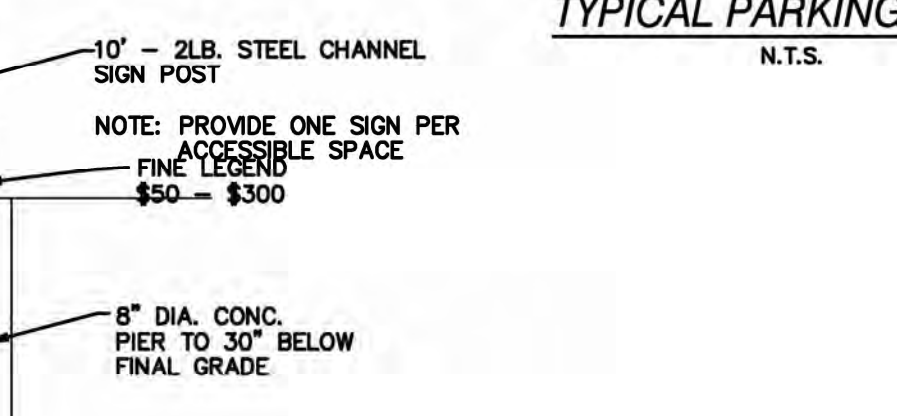
**SITE LIGHTING POLE BASE DETAIL**  
N.T.S.



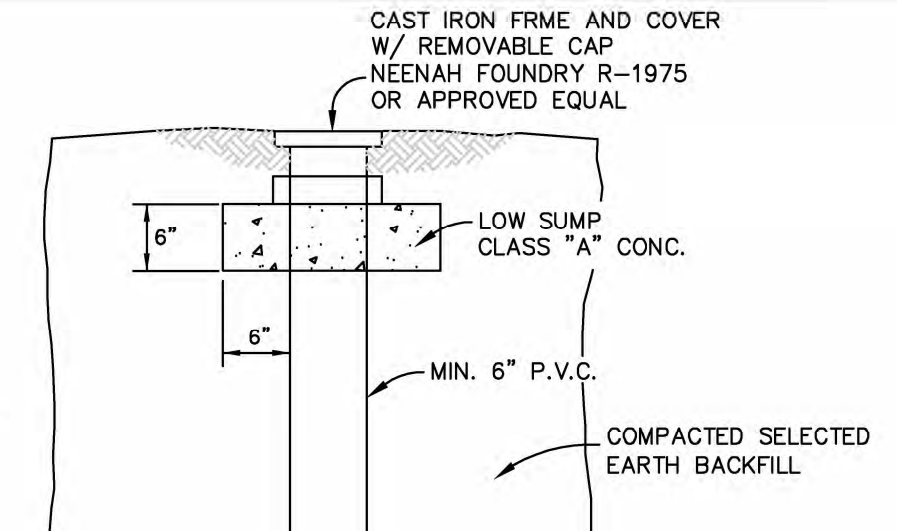
**TYPICAL PARKING SPACE**  
N.T.S.



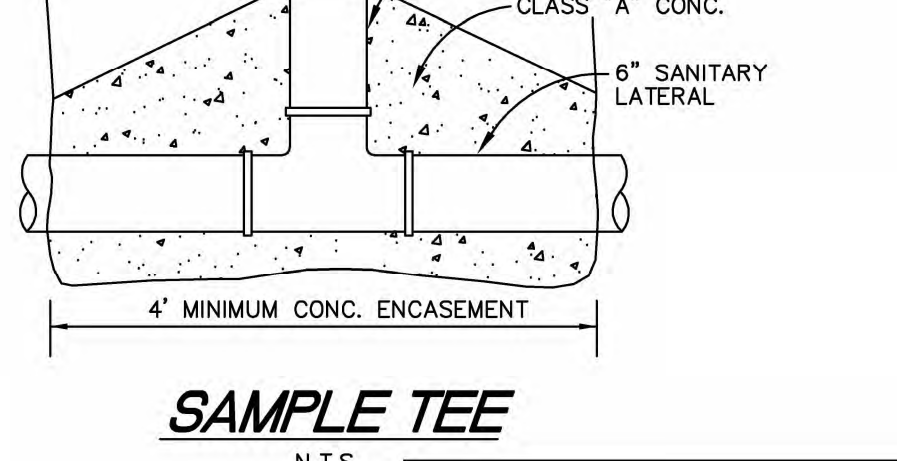
**ACCESSIBLE PARKING SIGN**  
N.T.S.



**ACCESSIBLE PARKING SIGN**  
N.T.S.



**SAMPLE TEE**  
N.T.S.



**PERVIOUS INTERLOCKING CONCRETE PAVEMENT**

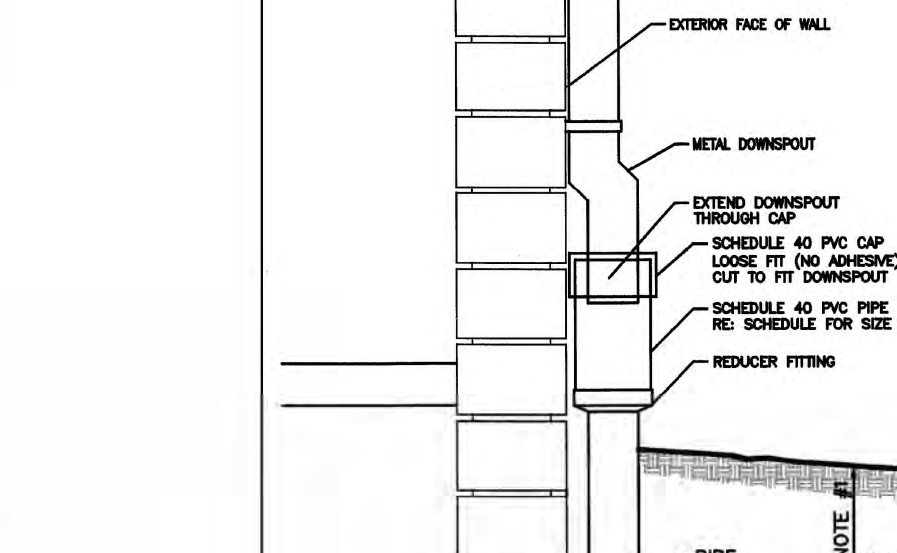
POWER WASHING, RESURFACING, AND THE USE OF SAND ABRASIVES FOR WINTER TIRE TRACKING ARE PROHIBITED.

CARE SHALL BE TAKEN DURING SNOW PLOWING.

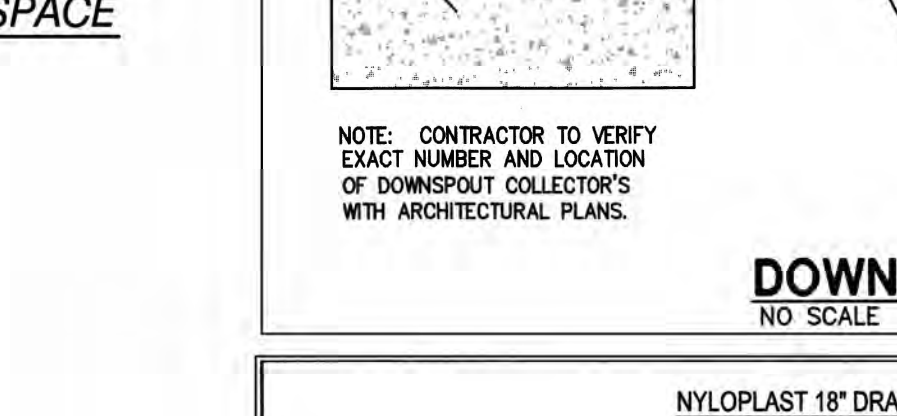
**PIP INFORMATION SIGN**  
(NOT TO SCALE)

- NOTES:**
1. STANDARD 16\"/>

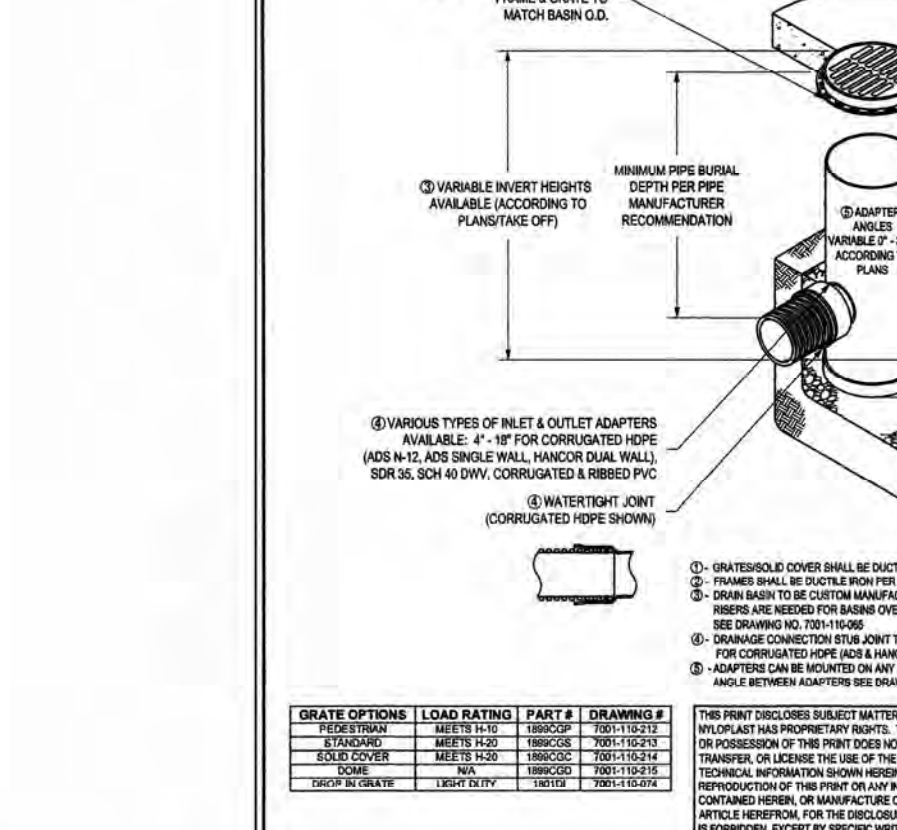
**DOWNSPOUT COLLECTOR DETAIL**  
NO SCALE



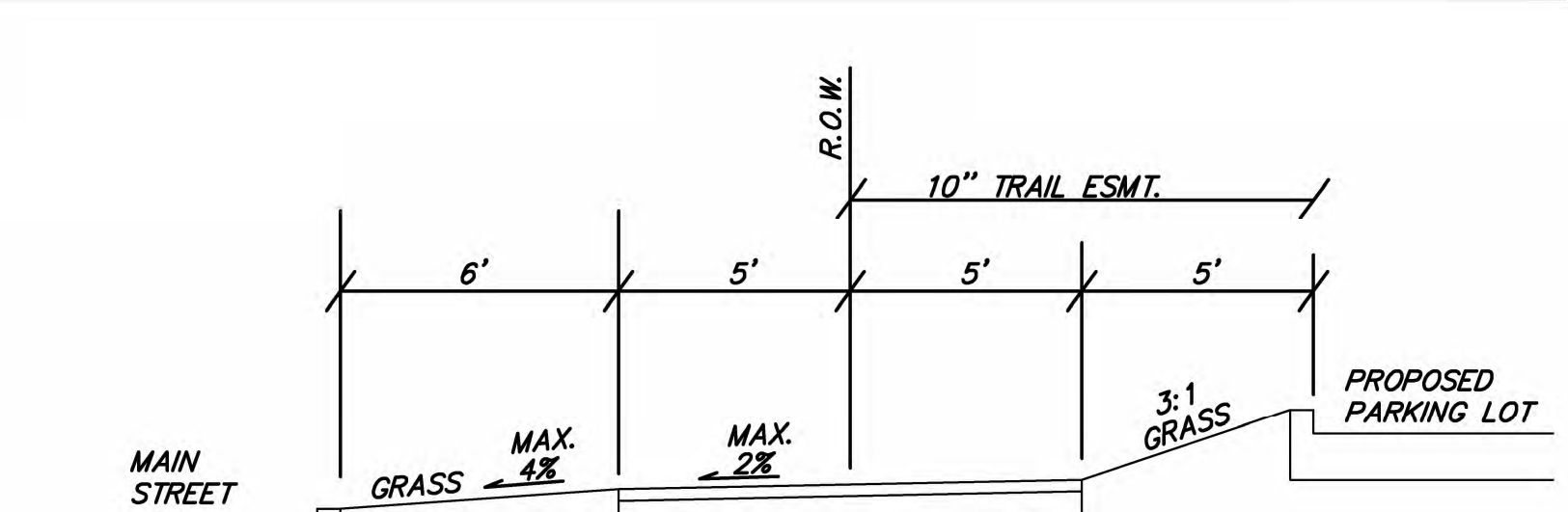
**DOWNSPOUT COLLECTOR DETAIL**  
NO SCALE



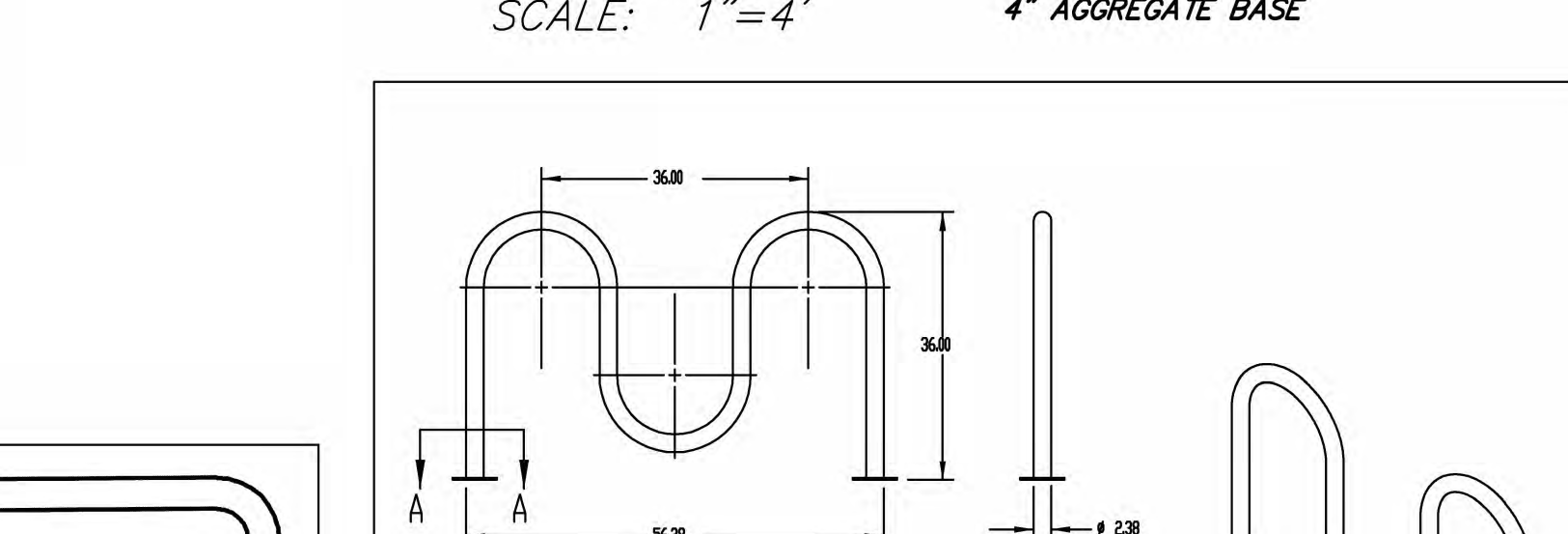
**NYLOPLAST 18\"/>**



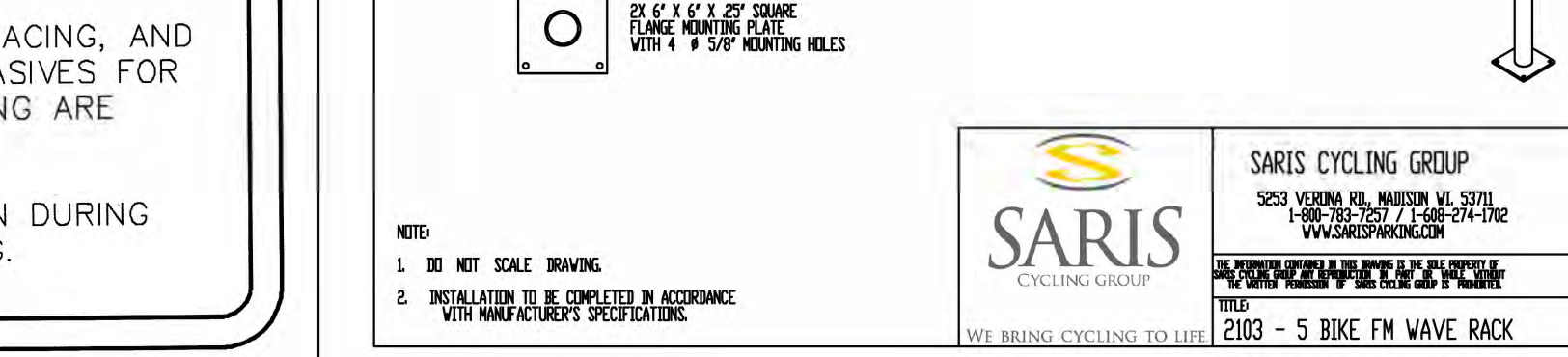
**NYLOPLAST 18\"/>**



**TRAIL DETAIL**  
SCALE: 1\"/>



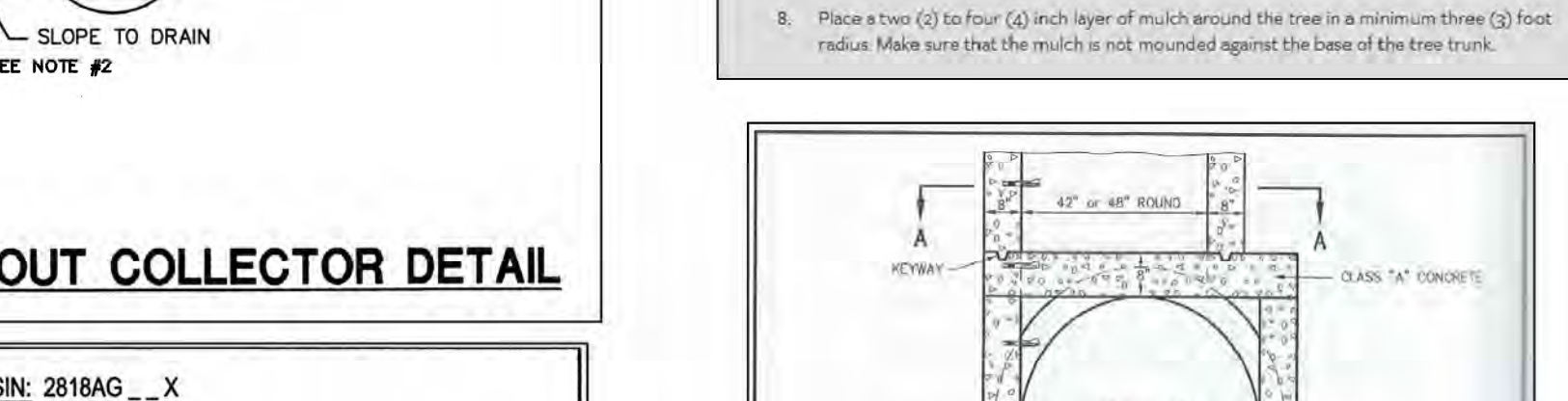
**SARIS CYCLING GROUP**



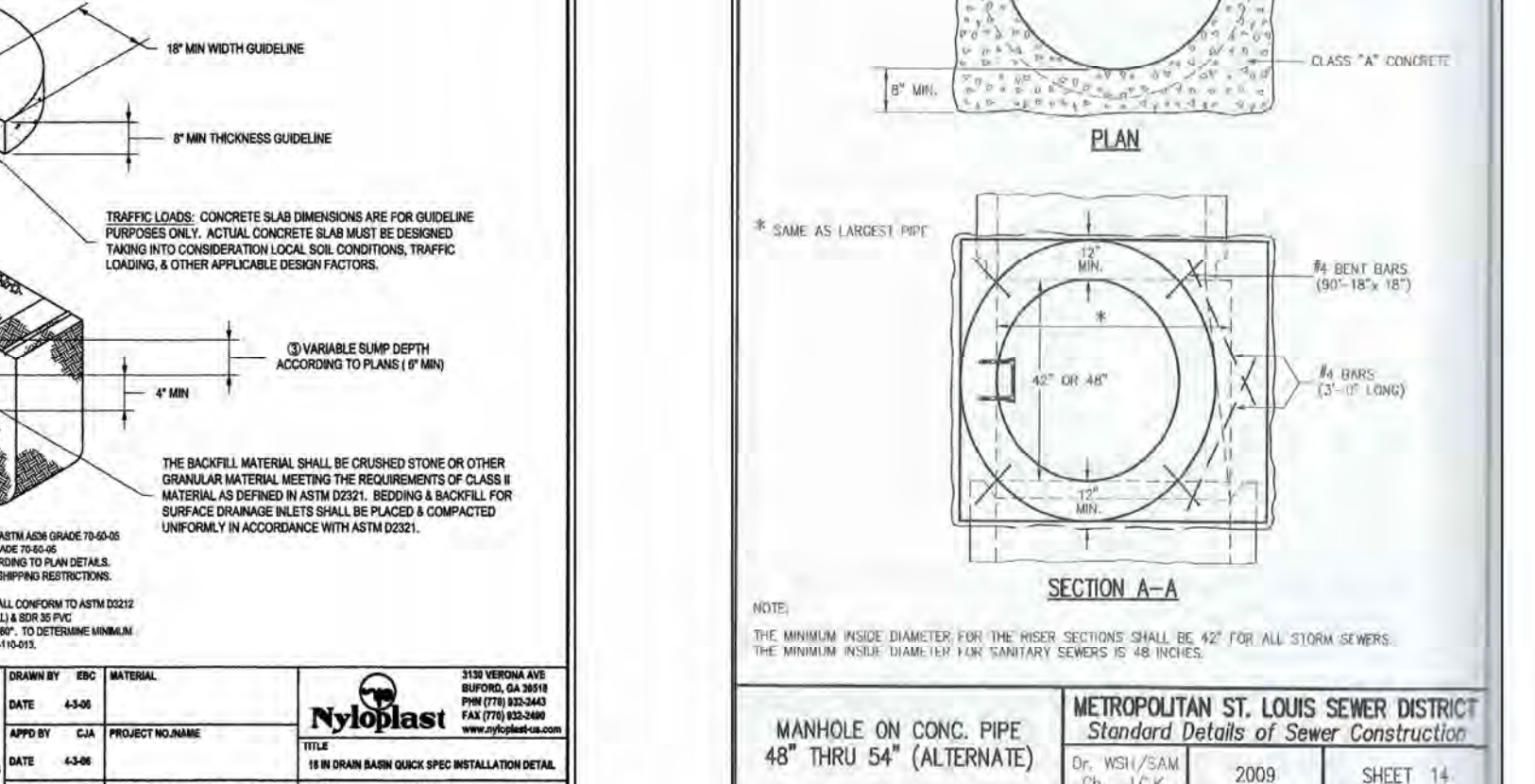
**FLORIDA PLANTING PROCEDURES FOR PLANTED OR BILLED AND BURKIPPEL TREES**

- NOTE:**
1. Optimal time for planting trees is the fall or early spring, when the tree is dormant. Planting trees at other times is discouraged due to increased stress on the tree if you have any questions on planting times contact the City Parks and Recreation Department.
  2. The hole should be dug with the width three (3) times the spread of the root ball no deeper than the root ball. Holes should have slanted sides and be roughed with a shovel.
  3. Trees will be planted no deeper than the original root flare. Do not confuse a graft union for the root flare. In clay soils trees can be planted slightly high. Excavation and soil replacement may be necessary where there is overly compacted subsoil and excessive amounts of gravel.
  4. Remove tree from pot or cut away twine or rope from stem and wire basket below ground level. When possible, roll back burlap from top and cut off top third (1/3) of the wire basket. Always remove all plastic, twine and artificial burlap.
  5. Straighten tree and completely backfill hole with existing soil. Avoid using excessive amounts of organic matter.
  6. Apply water to settle the soil and eliminate any voids. At this time a solution of root stimulator (not fertilizer) can be watered in.
  7. Chop up any dirt clods, add soil if needed.
  8. Place a two (2) to four (4) inch layer of mulch around the tree in a minimum three (3) foot radius. Make sure that the mulch is not mounded against the base of the tree trunk.

**FLORIDA PLANTING PROCEDURES FOR PLANTED OR BILLED AND BURKIPPEL TREES**



**MANHOLE ON CONC. PIPE 48\"/>**



**MANHOLE ON CONC. PIPE 48\"/>**

Rev.	Rev. Per City Comments
1	2/17/16
2	2/23/16
3	4/7/16
4	5/12/16
5	6/13/16

Missouri Office  
5800 Grinnell  
St. Louis, MO 63112  
Telephone: (314) 487-8919  
Fax: (314) 843-1718

**DOERING ENGINEERING**  
INC.  
CIVIL ENGINEERING • PLANNING • SURVEYING

Seal  
STATE OF MISSOURI  
Professional Engineer  
Mark A. Doering  
6/13/16  
PE-23059

MARK A. DOERING  
CIVIL ENGINEER E-23059  
6/13/16  
MO. EXPIRATION DATE:  
DECEMBER 31 2014  
IL EXPIRATION DATE:  
DECEMBER 31 2013  
MO. CORPORATE  
LICENSE NO. 001347  
IL CORPORATE  
LICENSE NO. 184.000305

PLAZA TIRE  
1000 N MAIN ST.  
O'FALLON, MO 63366  
DETAILS

Date: 2/17/16  
Project Number: 5030  
File Name: 15030CD  
Drawn By: JAB  
Check By: MAD  
Sheet  
C9