

**Planting Soil Specifications:**

PARAMETER	VALUE
pH Range	5.2 to 8.0
Organic Matter	1.5 to 5.0%
Magnesium	35 lbs. per acre minimum
Phosphorus (P <sub>2</sub> O <sub>5</sub> )	75 lbs. per acre minimum
Potassium (K <sub>2</sub> O)	85 lbs. per acre minimum
Soluble Salts	≤ 500 PPM

Sandy Loam or Loamy Sand (should contain a minimum of 60 percent sand, by volume). The clay content for these soils should be less than 10 percent by volume. The soils shall be free of stones, stumps, roots, or other woody material over 1 inch in diameter. Brush or seeds from noxious weeds should not be present in the soil. Placement of the planting soil should be in lifts of 12 to 18 inches and be loosely compacted. (Rubber-Wheeled Heavy Equipment and mechanical tamping devices are not recommended for compaction).

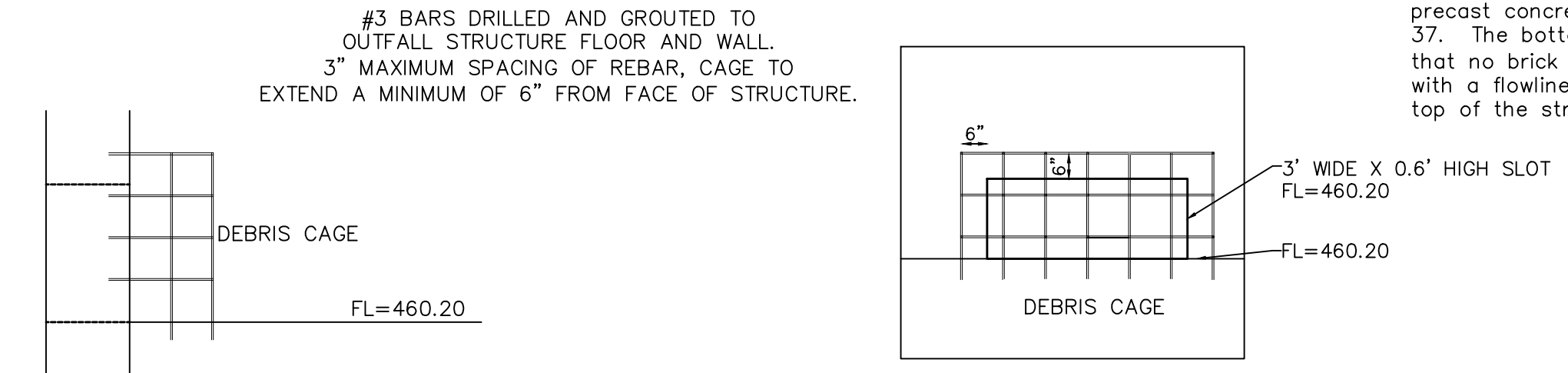
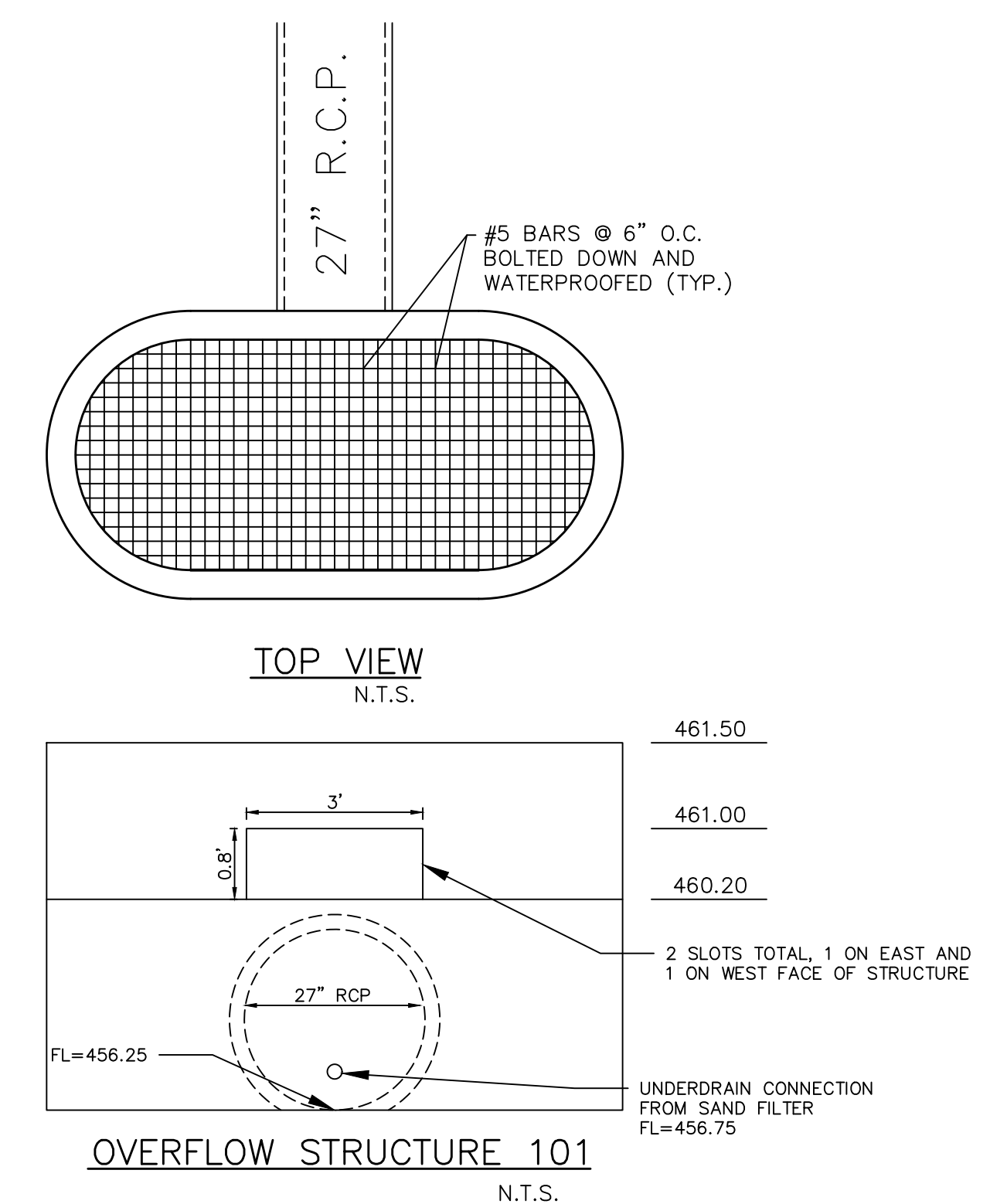
**SAND SPECIFICATIONS:**

Washed ASTM C33 Fine Aggregate Concrete Sand is utilized for stormwater management applications. In addition to the ASTM C-33 specification, sand must meet ALL of the following conditions:

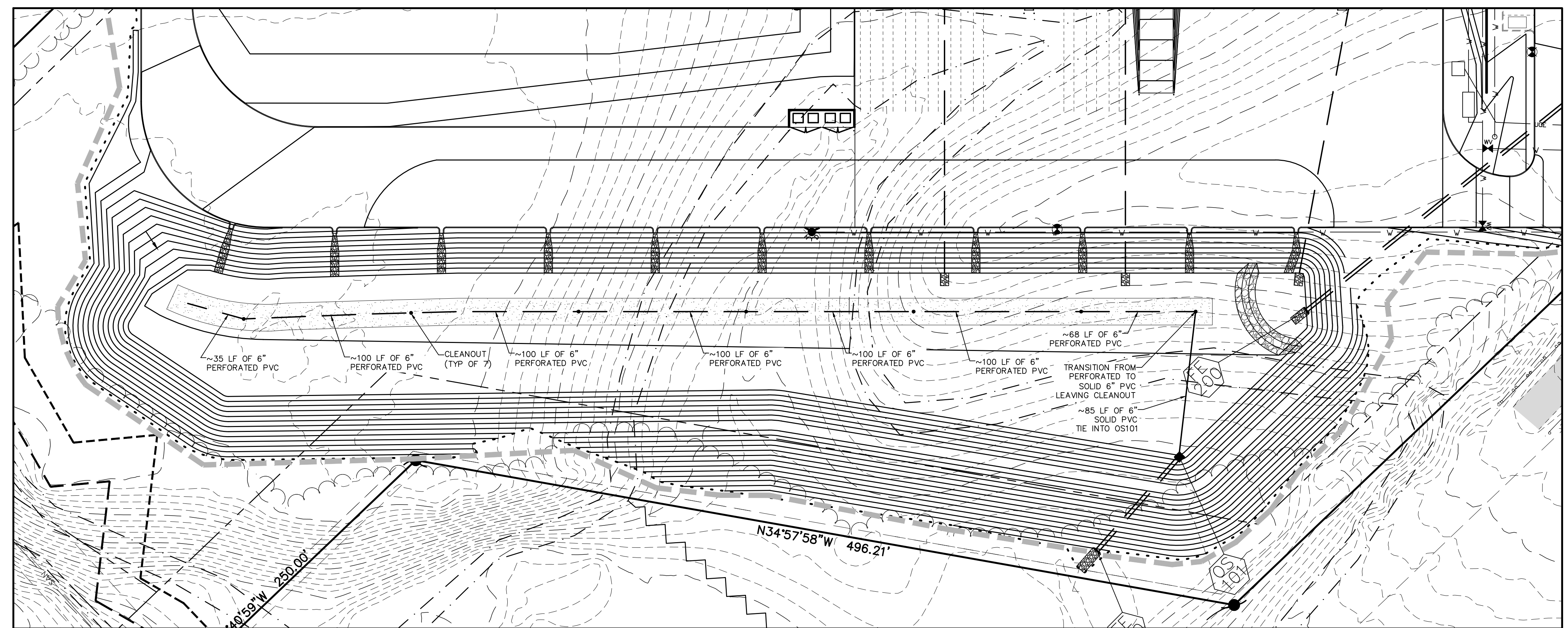
- Sand must meet gradation requirements for ASTM C-33 Fine Aggregate Concrete Sand. AASHTO M-6 gradation is also applicable. (Known as Natural washed concrete sand)
- Sand must be siliceous...no limestone based products may be used. If the material is white or gray in color it is probably not acceptable.
- Sand must be clean. Natural, unwashed sand deposits may not be used. Likewise, sand that has been contaminated by improper storage or installation practices will be rejected.
- Manufactured sand or stone dust is not acceptable under any circumstances.

Sand Gradations per ASTM C-33	Percent Passing
Sieve Specifications	
9.5-mm (3/8-in.)	100
4.75-mm (No. 4)	95 to 100
2.36-mm (No. 8)	80 to 100
1.18-mm (No. 16)	50 to 85
600-um (No. 30)	25 to 60
300-um (No. 50)	5 to 30
150-um (No. 100)	0 to 10

TYPICAL OF ALL BASINS THIS SHEET



The overflow structure is to be a standard double untrapped precast concrete street inlet (without top). See M.S.D. detail 37. The bottom must be constructed to the correct height so that no brick will be used. A rectangular orifice 3'w x 0.6'h with a flowline of 460.20 will be used as the low flow slot. The top of the structure will be at an elevation of 461.50.



**PROJECT TITLE:**  
POINT WEST PROPERTIES LLC  
601 PEARL DR.  
ST. PETERS MO. 63376

**ENGINEERING PLANNING SURVEYING**  
221 Point West Blvd.  
St. Charles, MO 63301  
636-928-5552  
FAX 636-928-1718

**CLIFFORD L. HEITMANN**  
REGISTERED PROFESSIONAL ENGINEER  
NUMBER E-26317  
5-1-19

CLIFFORD L. HEITMANN  
CIVIL ENGINEER  
E29817  
Copyright 2019  
Box Engineering Company, Inc.  
Engineering Authority No. 000655  
Surveying Authority No. 000144  
All Rights Reserved

REVISIONS		
3-19-19	CITY COMMENTS	
4-2-19	C.C.F.R. COMMENTS	
5-1-19	CITY COMMENTS	

**Developer / Owner:**  
POINT WEST PROPERTIES LLC  
103 ENTERPRISE DRIVE  
WENTZVILLE, MO 63385  
636-327-5575

**DETENTION AND WATER QUALITY**

**P+Z No.** # 18-006296  
**Approval Date:** Aug. 2, 2018  
**City No.** #  
**Page No.** 12 of 20

Issue Date: 3/6/2019  
Box Project # 17-17337