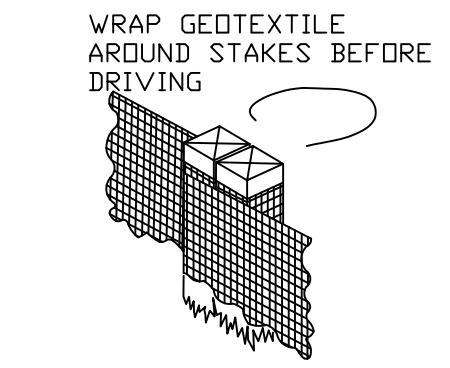
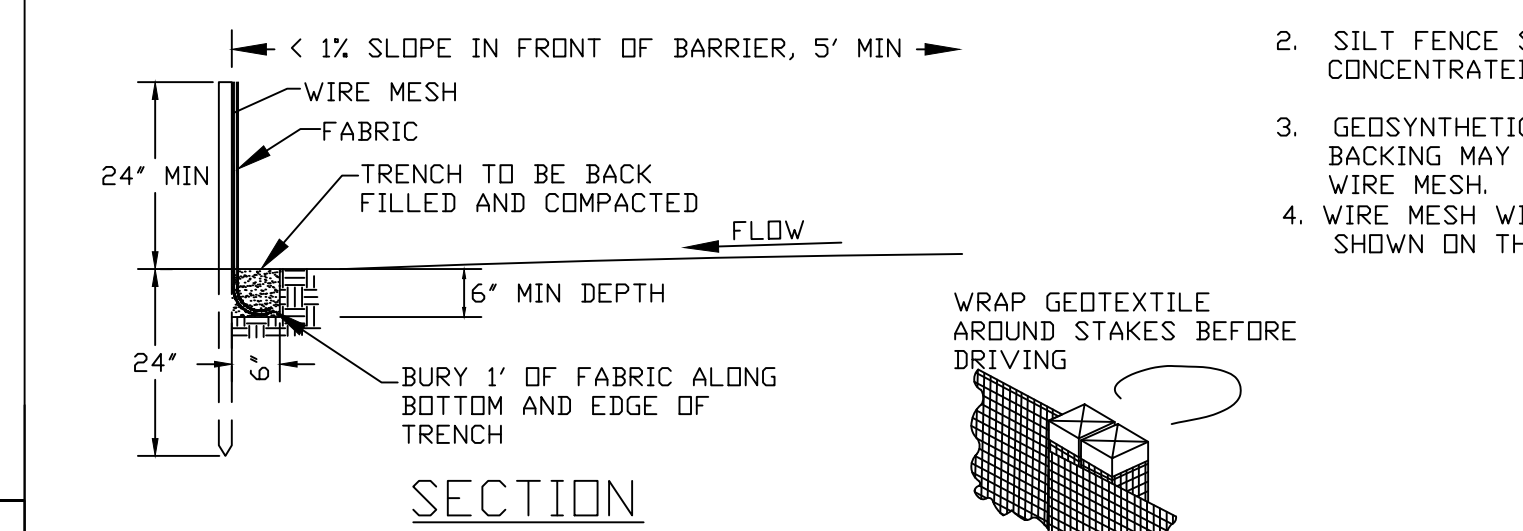
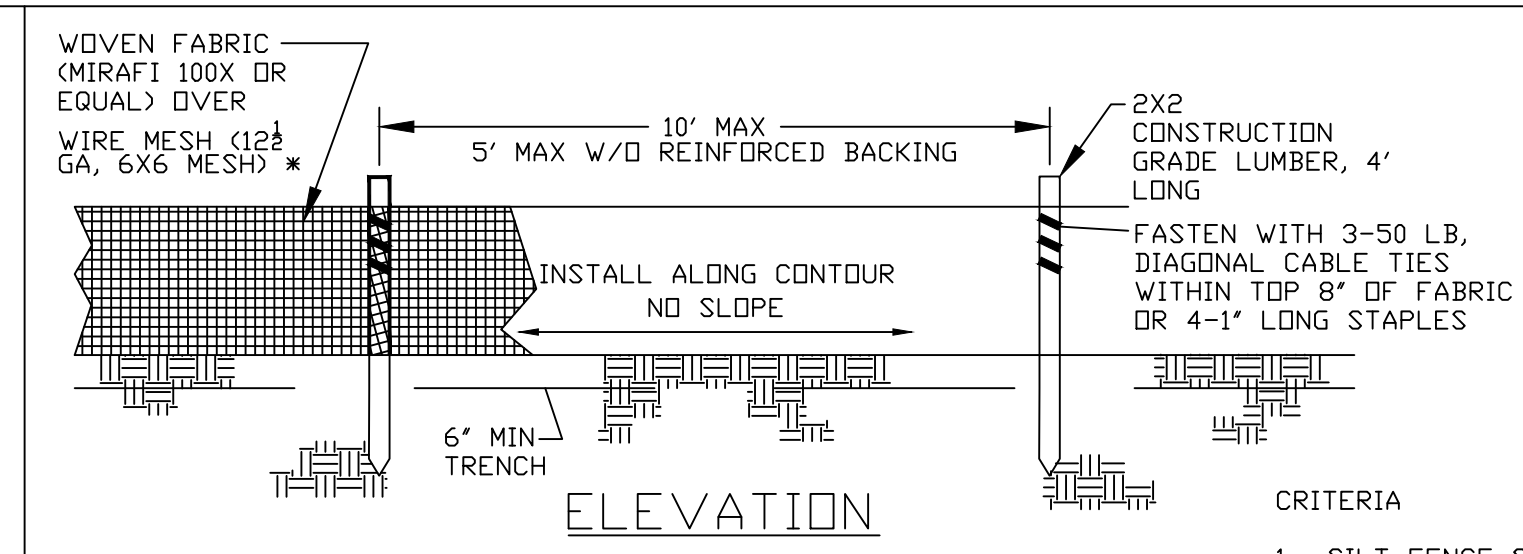


- DESIGN CRITERIA**
- SILT FENCE FOR SHEET FLOW SHALL HAVE A MAXIMUM DRAINAGE AREA OF 1/4 ACRE PER 100 LF.
 - STRAW BALE BARRIERS FOR SHEET FLOW SHALL HAVE A MAXIMUM DRAINAGE AREA OF 1/4 ACRE PER 100 LF.
 - REFER TO INDIVIDUAL ESC FIGURE FOR INSTALLATION.
 - TERRACING INCLUDES LOGS, WATTLES & FILTER SOCKS.

CITY OF O'FALLON
ENGINEERING DEPARTMENT
O'FALLON, MISSOURI

**SPACING CHART
FOR ESC DEVICES**



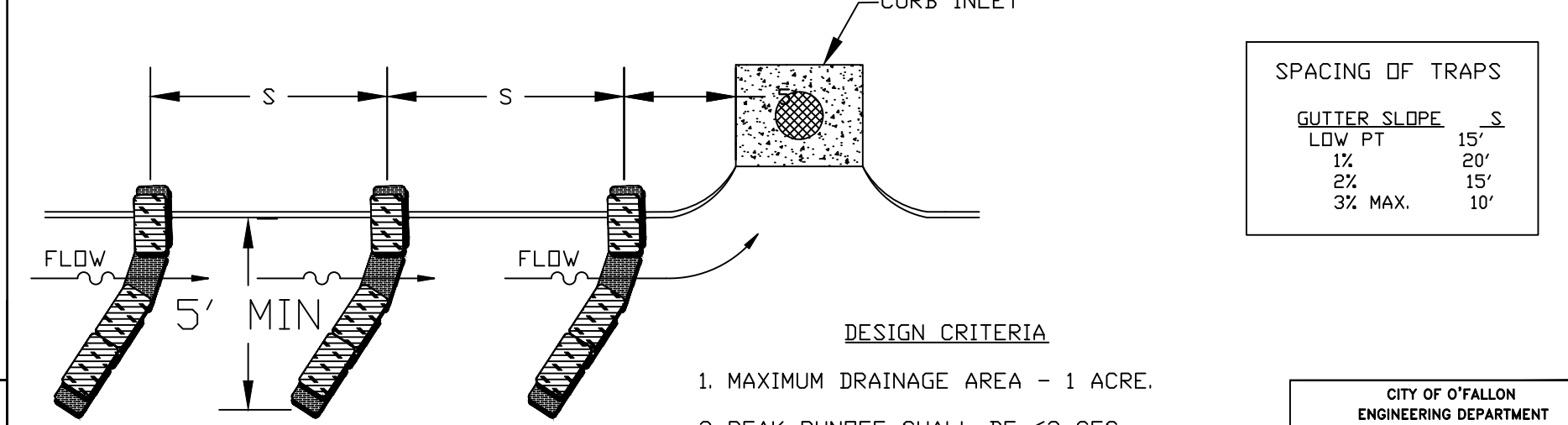
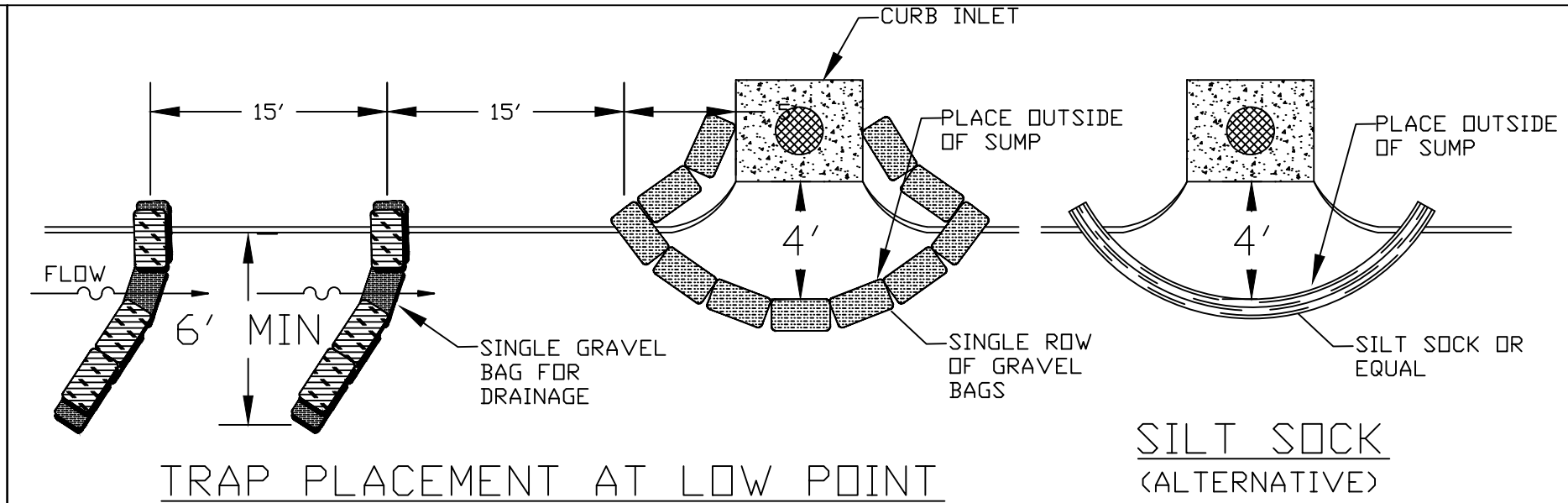
NOTE: IF FABRIC IS INSTALLED BY EQUIPMENT DESIGNED TO SLICE INTO THE GROUND, THE TRENCH IS NOT REQ'D.

JOINING SECTIONS OF SILT FENCE

CITY OF O'FALLON
ENGINEERING DEPARTMENT
O'FALLON, MISSOURI

**SILT FENCE INSTALLATION
SHEET FLOW (ONLY)**

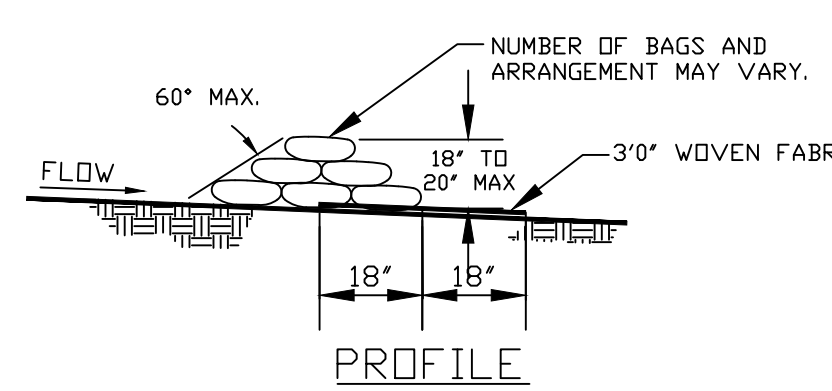
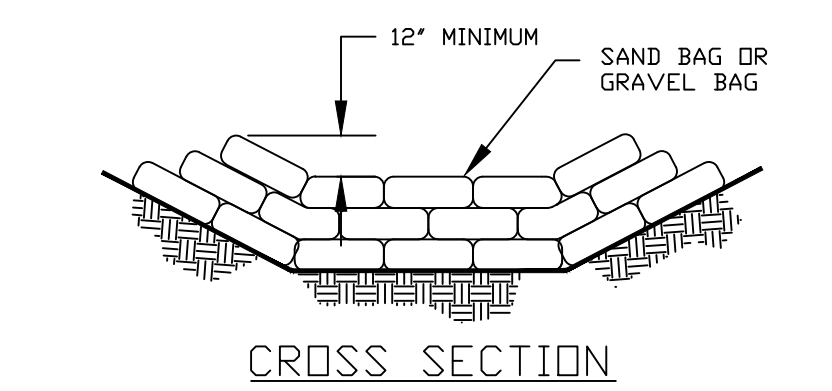
- CRITERIA**
- SILT FENCE SHALL BE 24 INCHES HIGH.
 - SILT FENCE SHALL NOT BE USED FOR CONCENTRATED FLOWS.
 - GEOSYNTHETIC REINFORCED SILT FENCE BACKING MAY BE USED IN LIEU OF WIRE MESH.
 - WIRE MESH WILL BE USED AT LOCATIONS SHOWN ON THE APPROVED SWPPP.



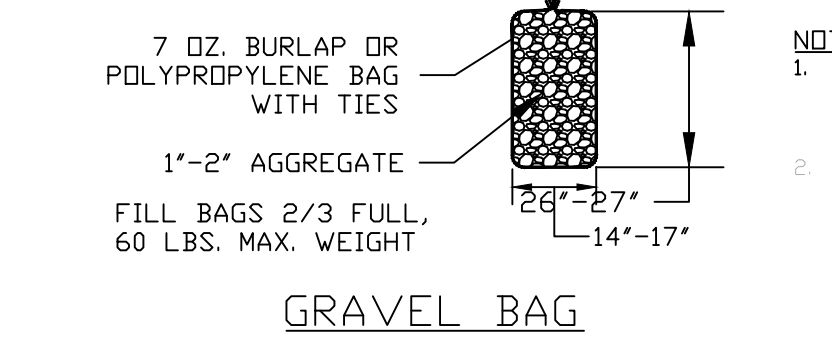
- DESIGN CRITERIA**
- MAXIMUM DRAINAGE AREA - 1 ACRE.
 - PEAK RUNOFF SHALL BE ≤ 2 CFS BASED ON THE 6-MONTH STORM.
 - STACK GRAVEL BAGS DOUBLE HIGH. PROVIDE GAP FOR DRAINAGE.

CITY OF O'FALLON
ENGINEERING DEPARTMENT
O'FALLON, MISSOURI

**CURB INLET
PROTECTION**



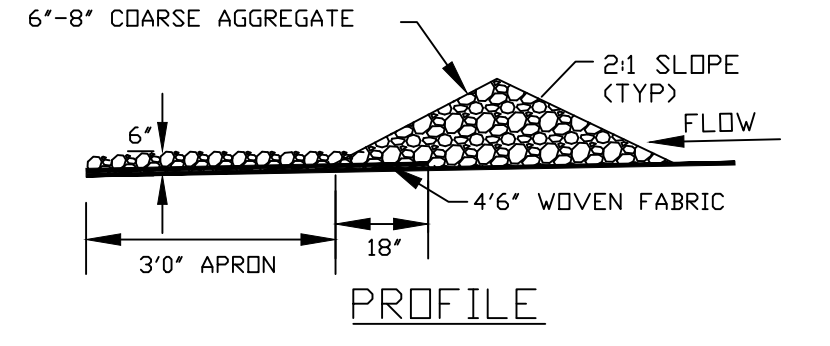
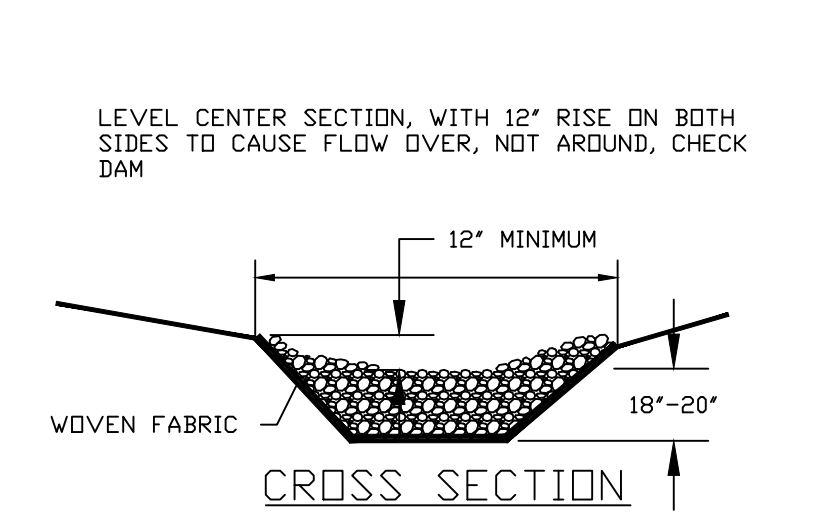
**SAND BAG OR GRAVEL BAG
CHECK DAM**



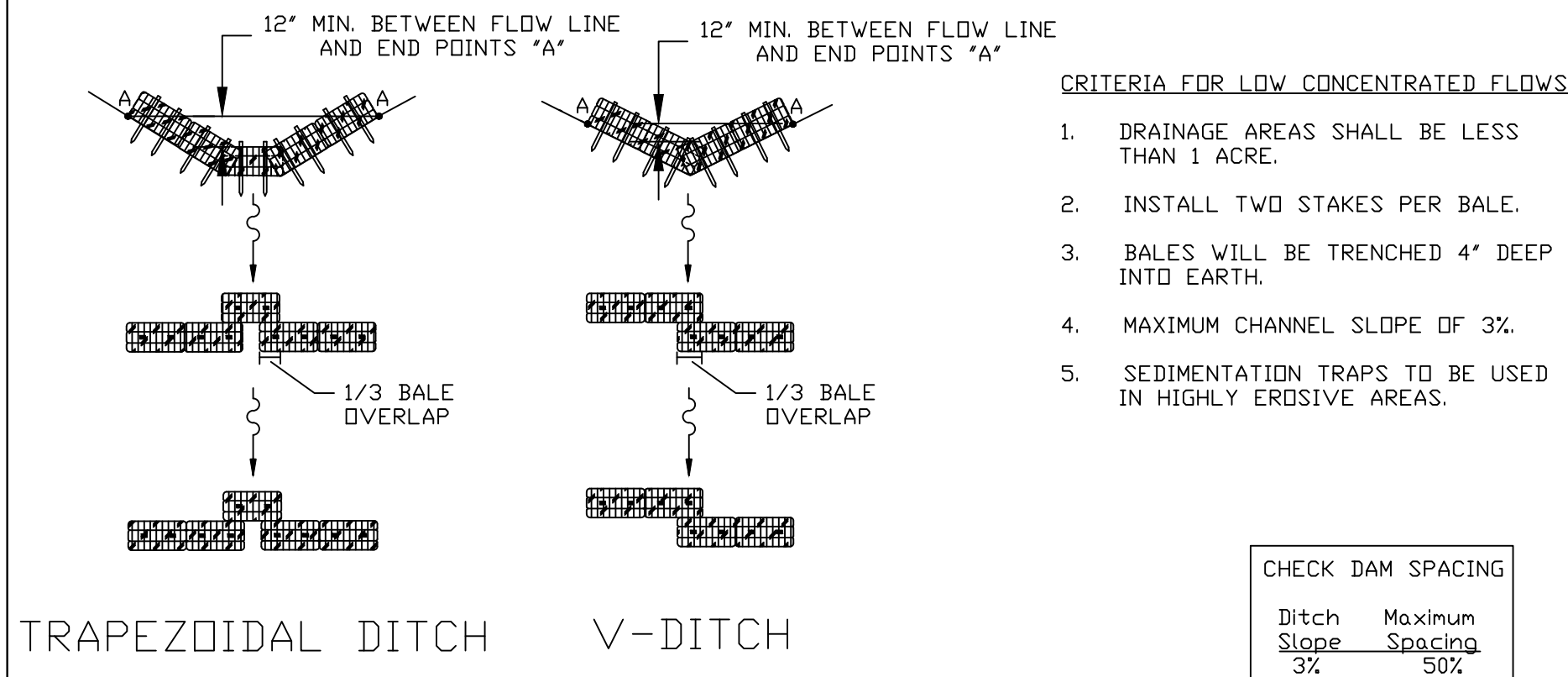
- NOTE:**
- CHECK DAMS MAY BE CONSTRUCTED OF SEVERAL ESC CHECK DAM PRODUCTS.
 - SEE TABLE 60-12 AND ESC 1 FOR CHECK DAM SPACING.

CITY OF O'FALLON
ENGINEERING DEPARTMENT
O'FALLON, MISSOURI

CHECK DAMS



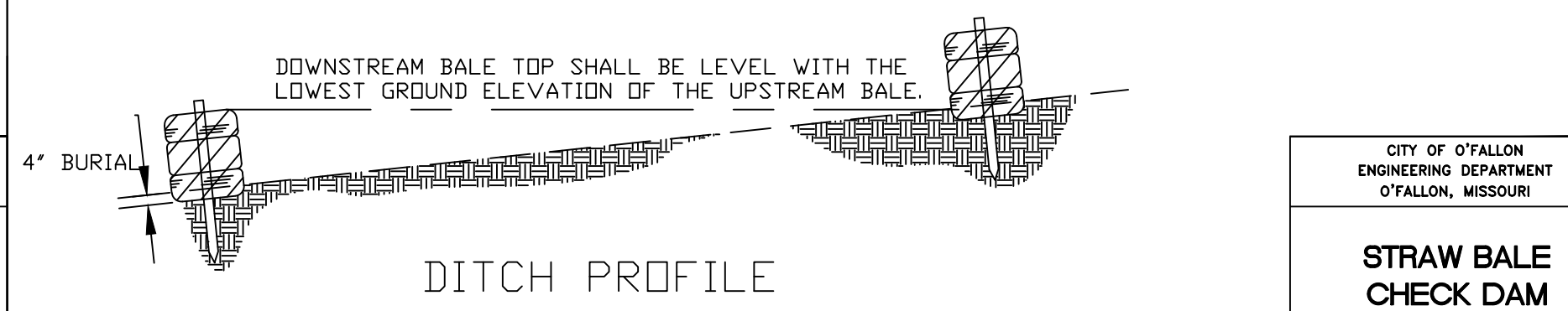
ROCK CHECK DAM



- CRITERIA FOR LOW CONCENTRATED FLOWS**
- DRAINAGE AREAS SHALL BE LESS THAN 1 ACRE.
 - INSTALL TWO STAKES PER BALE.
 - BALES WILL BE TRENCHED 4\"/>

CHECK DAM SPACING

Ditch Slope	Maximum Spacing
3%	50'
2%	75'



CITY OF O'FALLON
ENGINEERING DEPARTMENT
O'FALLON, MISSOURI

**STRAW BALE
CHECK DAM**

PROJECT TITLE:
POINT WEST
PROPERTIES LLC
601 PEARL DR.
ST. PETERS MO.
63376

ENGINEERING
DRAWING
SURVEYING

221 Point West Blvd
St. Charles, MO 63301
636-928-5562
FAX 928-1718

REFERENCE DRAWINGS
ONLY. ENGINEERS
SEAL DOES NOT
APPLY TO THESE
DETAILS

REVISIONS

NO.	DATE	REVISION
3-19-19		CITY COMMENTS
4-2-19		C.C.F.R. COMMENTS
5-1-19		CITY COMMENTS

Developer / Owner:
POINT WEST PROPERTIES LLC
103 ENTERPRISE DRIVE
WENTZVILLE, MO 63385
636-327-5575

EROSION CONTROL DETAILS

P+Z No. # 18-006296
Approval Date: Aug. 2, 2018
City No. #