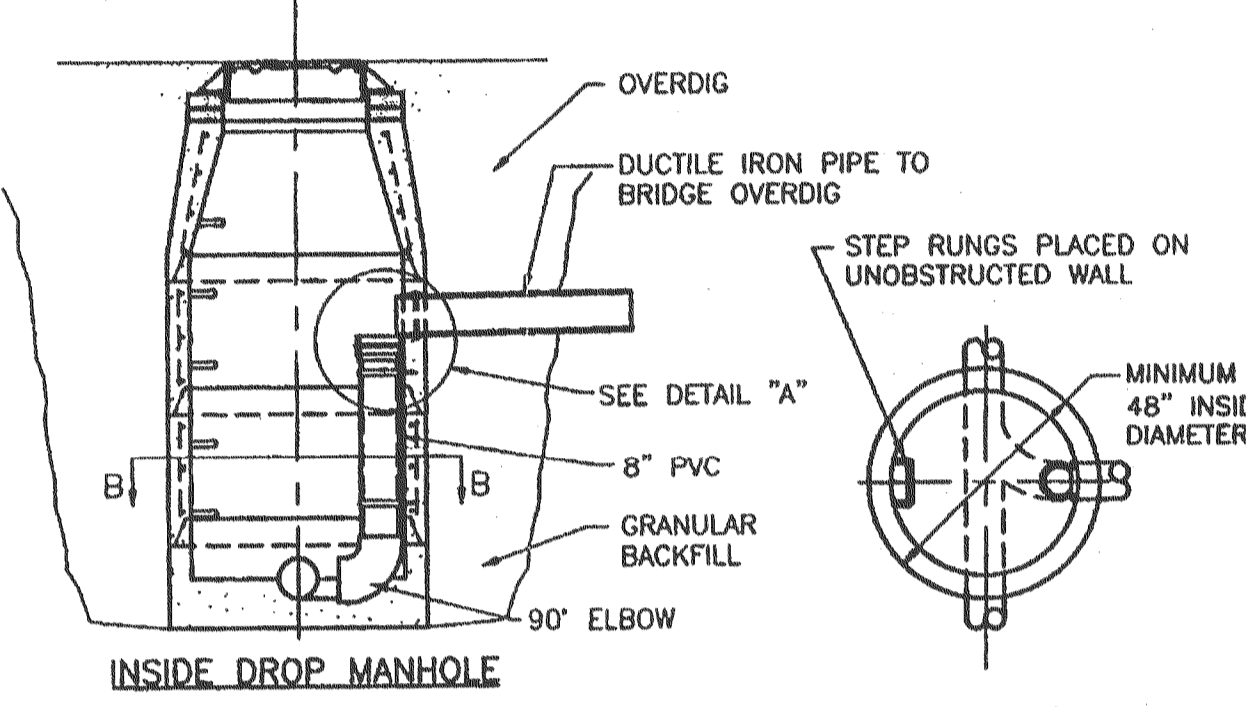


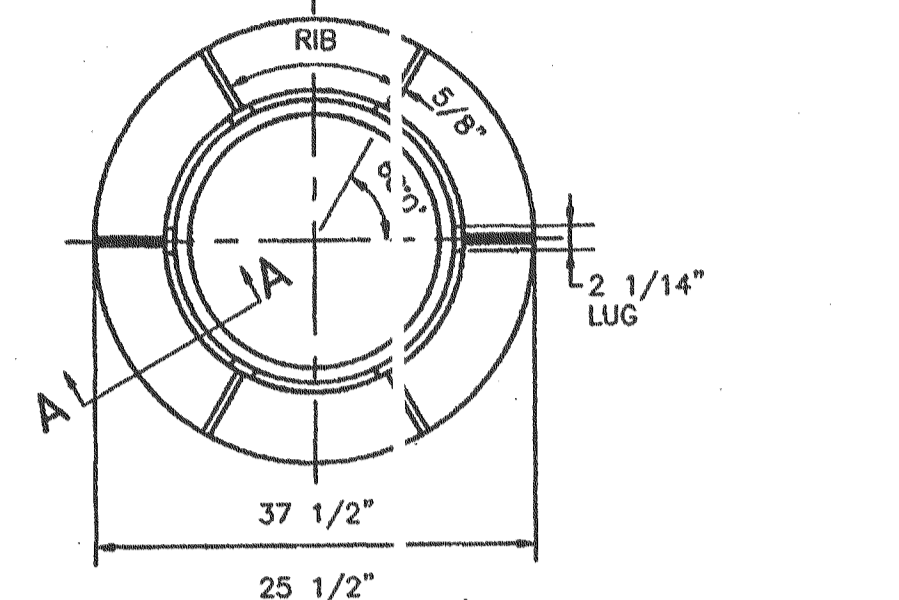
DETAIL "A" STANDARD DROP PIPE  
DETAIL "A" MODIFIED DROP PIPE (FOR STEEP INFLUENT GRADES)



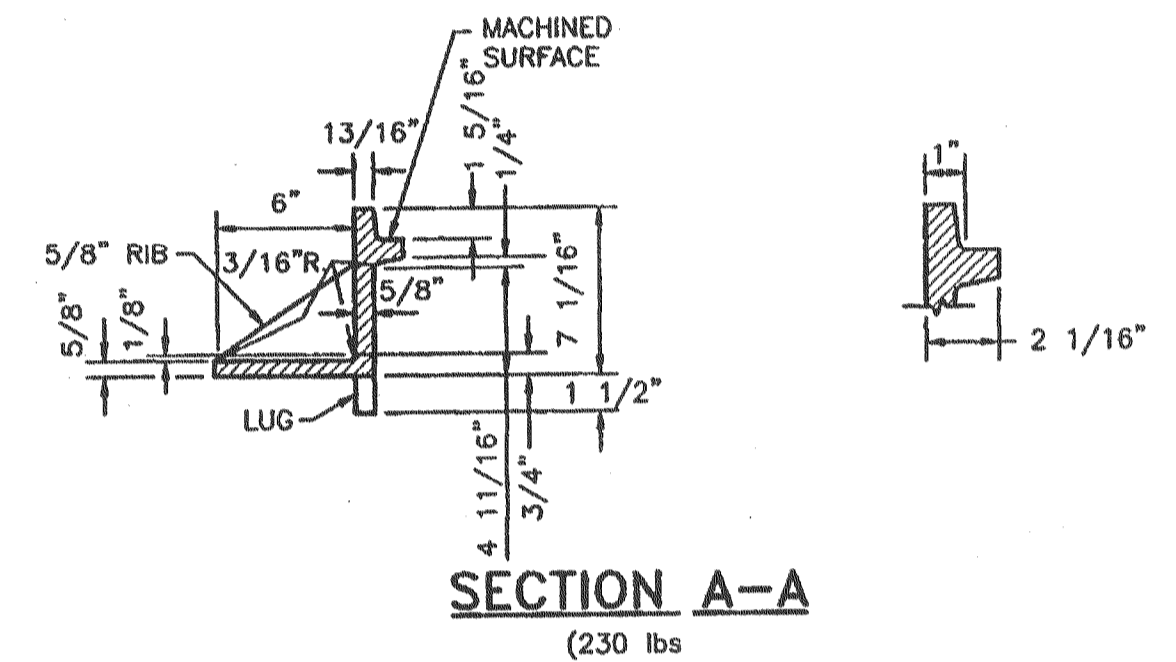
NOTE:  
ALL INVERTS SHALL HAVE POSITIVE DRAINAGE THROUGH MANHOLE.

**Duckett Creek Sanitary District**

INSIDE DROP MANHOLE	Dim By: BSM	App By: KLA	Detail No. 10
	Chd By: MDOB	Date: 01-10-00	



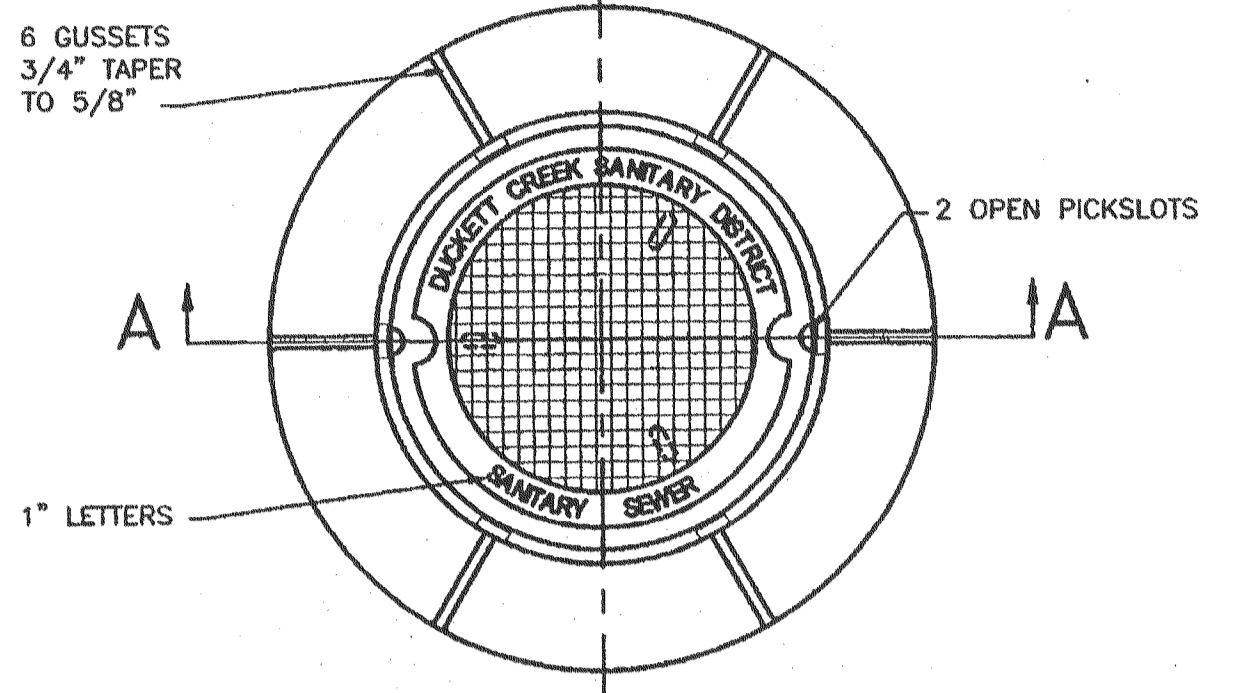
CAST IRON MANHOLE FRAME



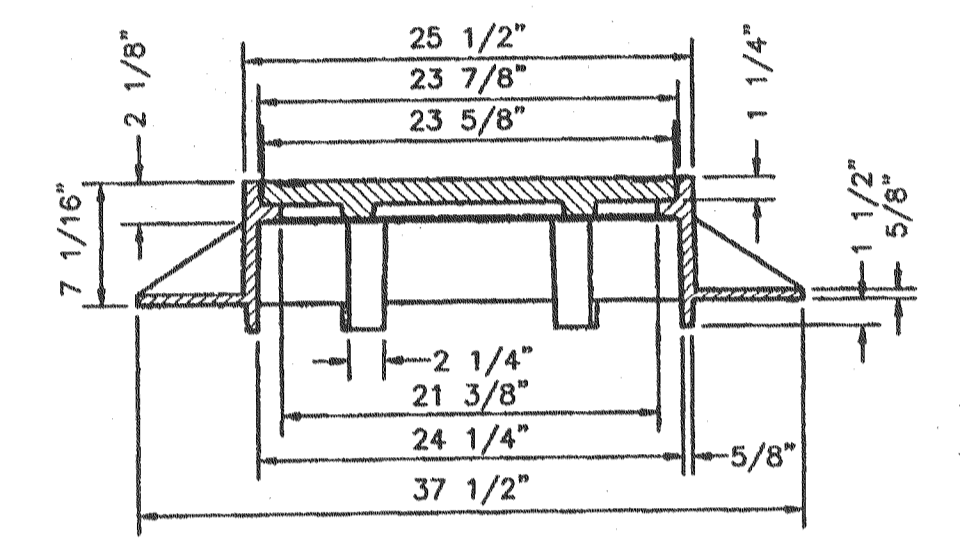
SECTION A-A  
(230 lbs)

**Duckett Creek Sanitary District**

CAST IRON MANHOLE FRAME	Dim 1: BSM	App By: KLA	Detail No. 11
	Chd 2: MDOB	Date: 01-14-00	

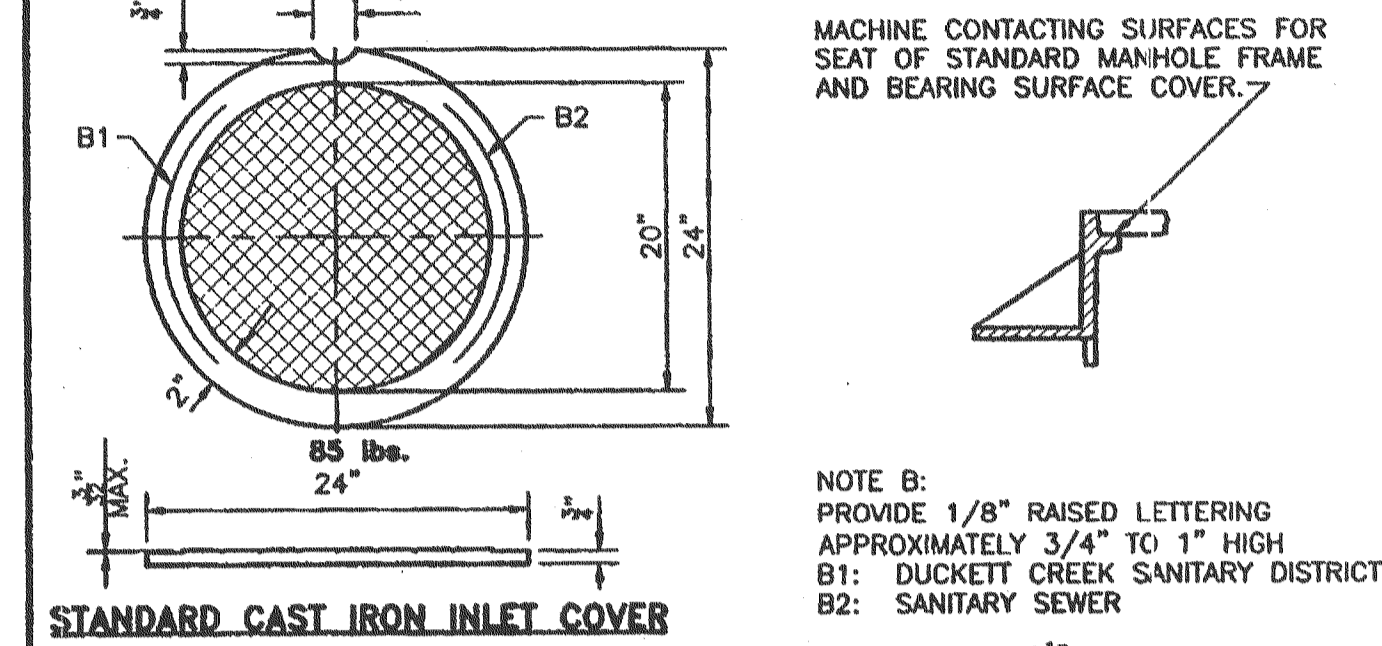


SECTION A-A

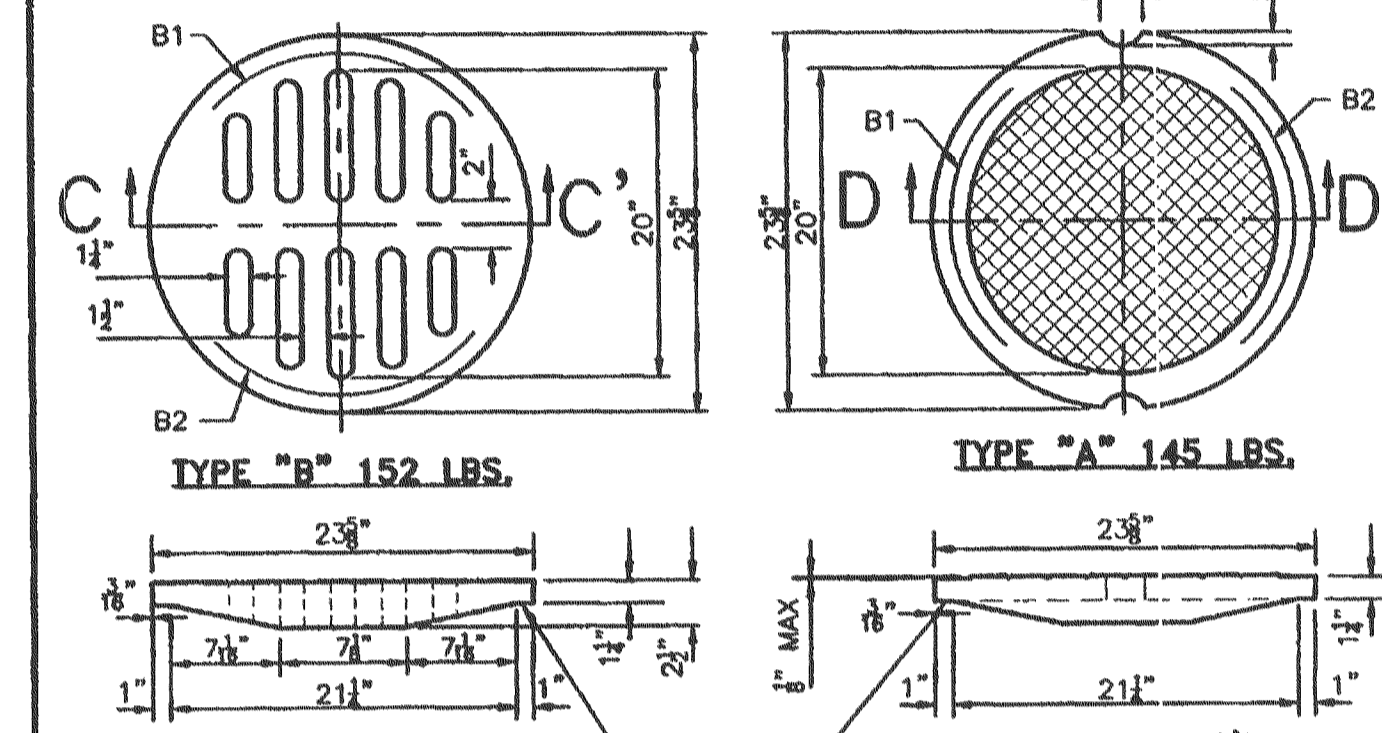


**Duckett Creek Sanitary District**

MANHOLE FRAME AND COVER	Dim By: BSM	App By: KLA	Detail No. 12
	Chd By: MDOB	Date: 01-14-00	



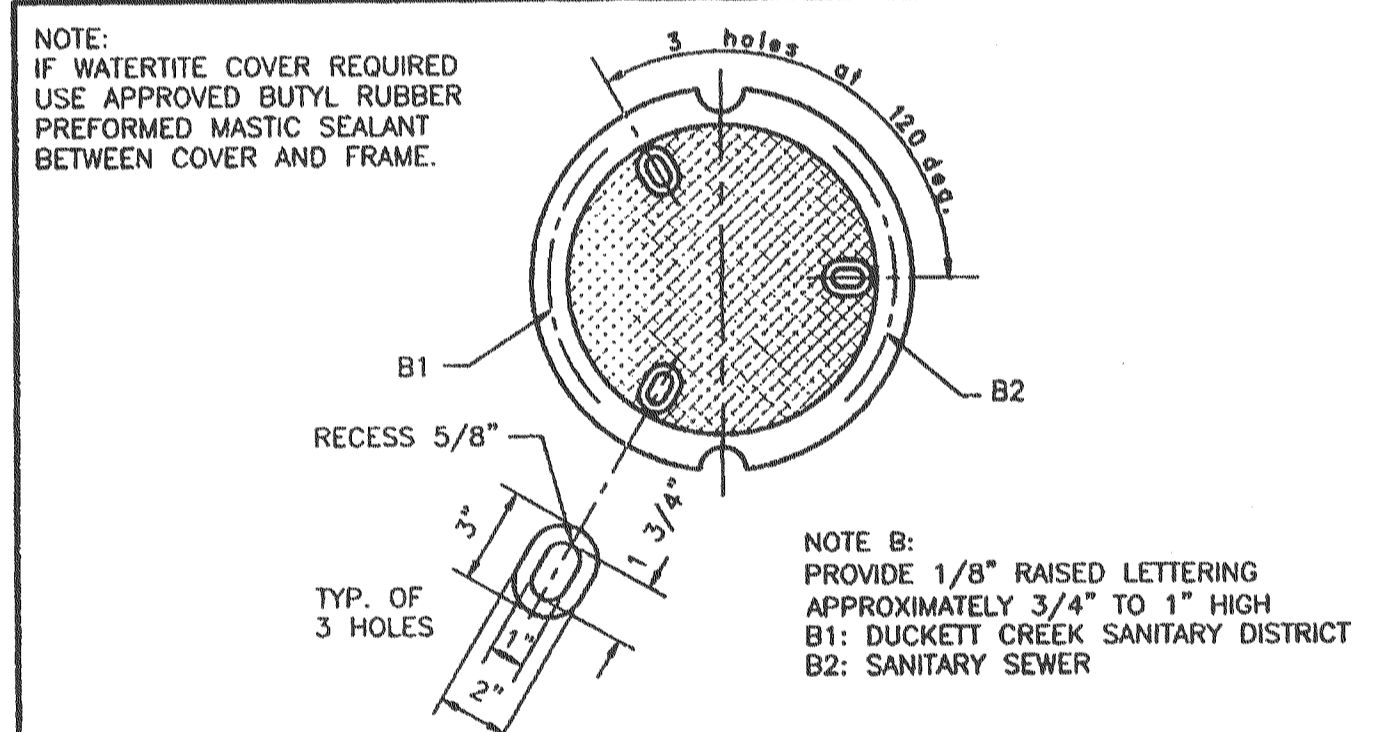
STANDARD CAST IRON INLET COVER



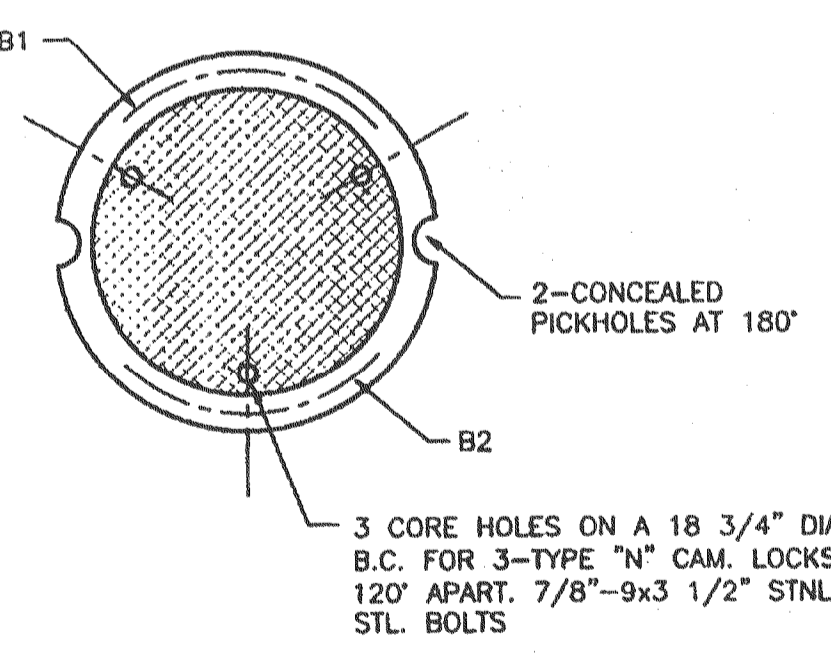
PLAN OF SLOTTED-TYPE COVER  
PLAN OF CLOSED-TYPE COVER  
STANDARD CAST IRON MANHOLE COVERS

**Duckett Creek Sanitary District**

CAST IRON COVERS MANHOLES AND INLETS	Dim By: BSM	App By: KLA	Detail No. 13
	Chd By: MDOB	Date: 12-22-00	



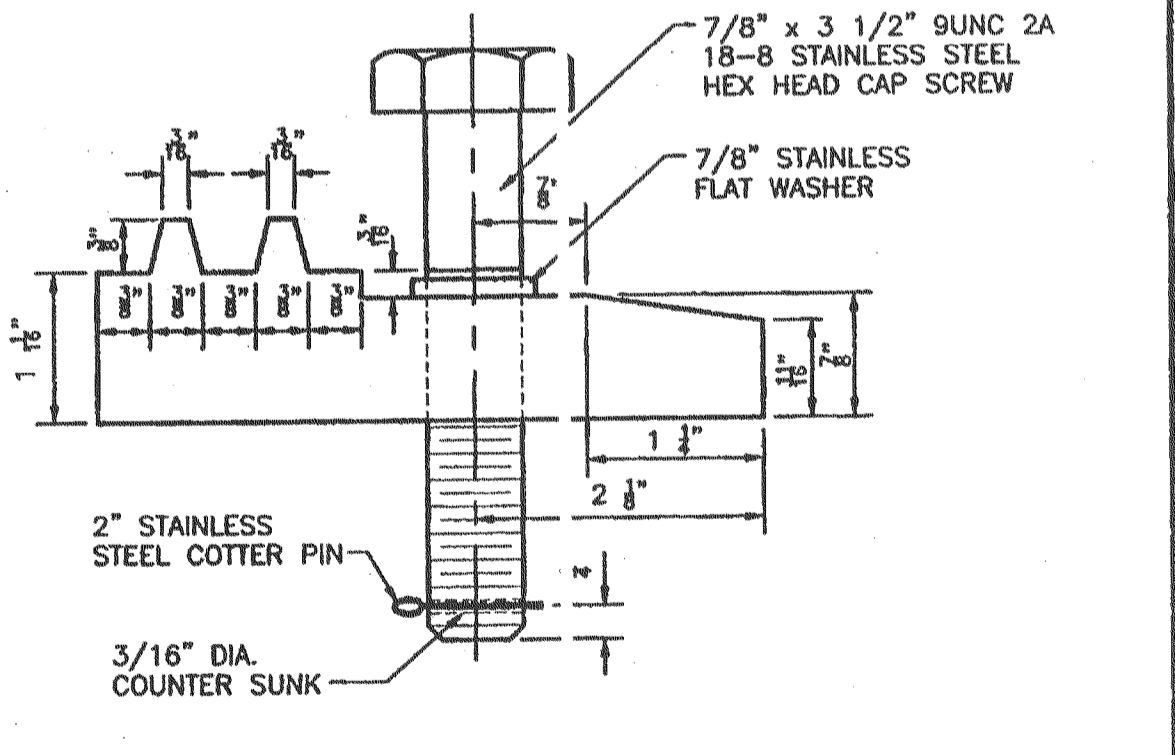
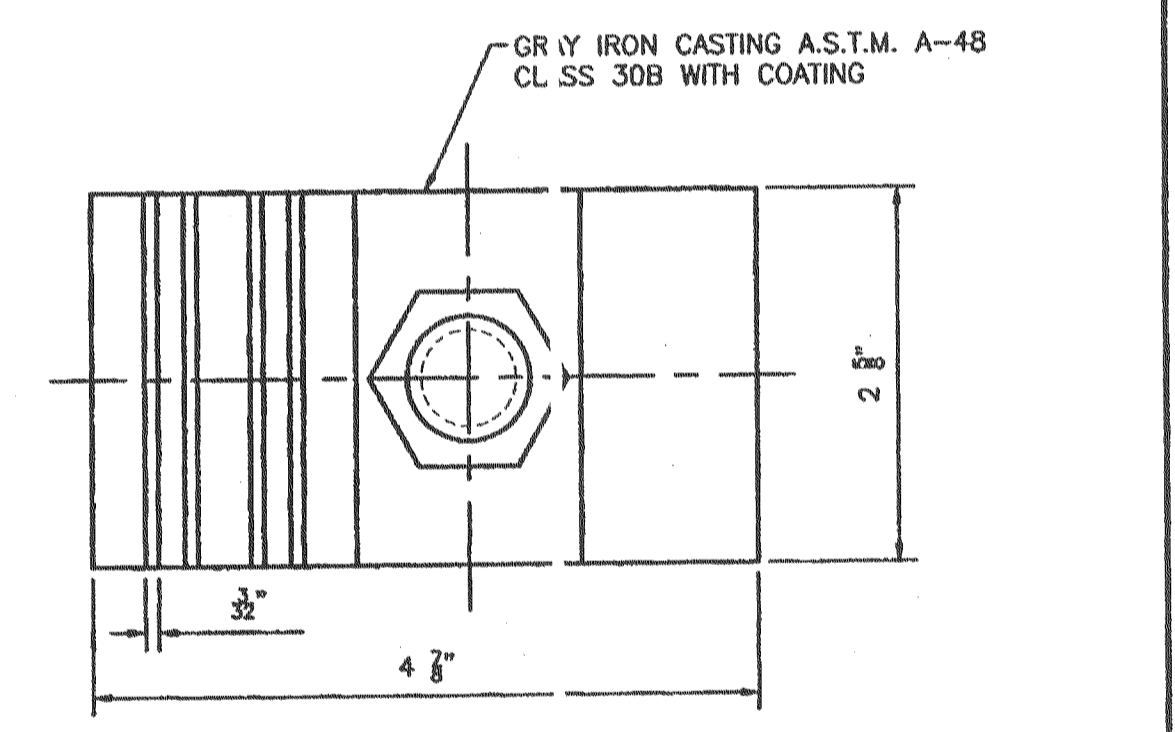
TYPE "T"



TYPE "N"

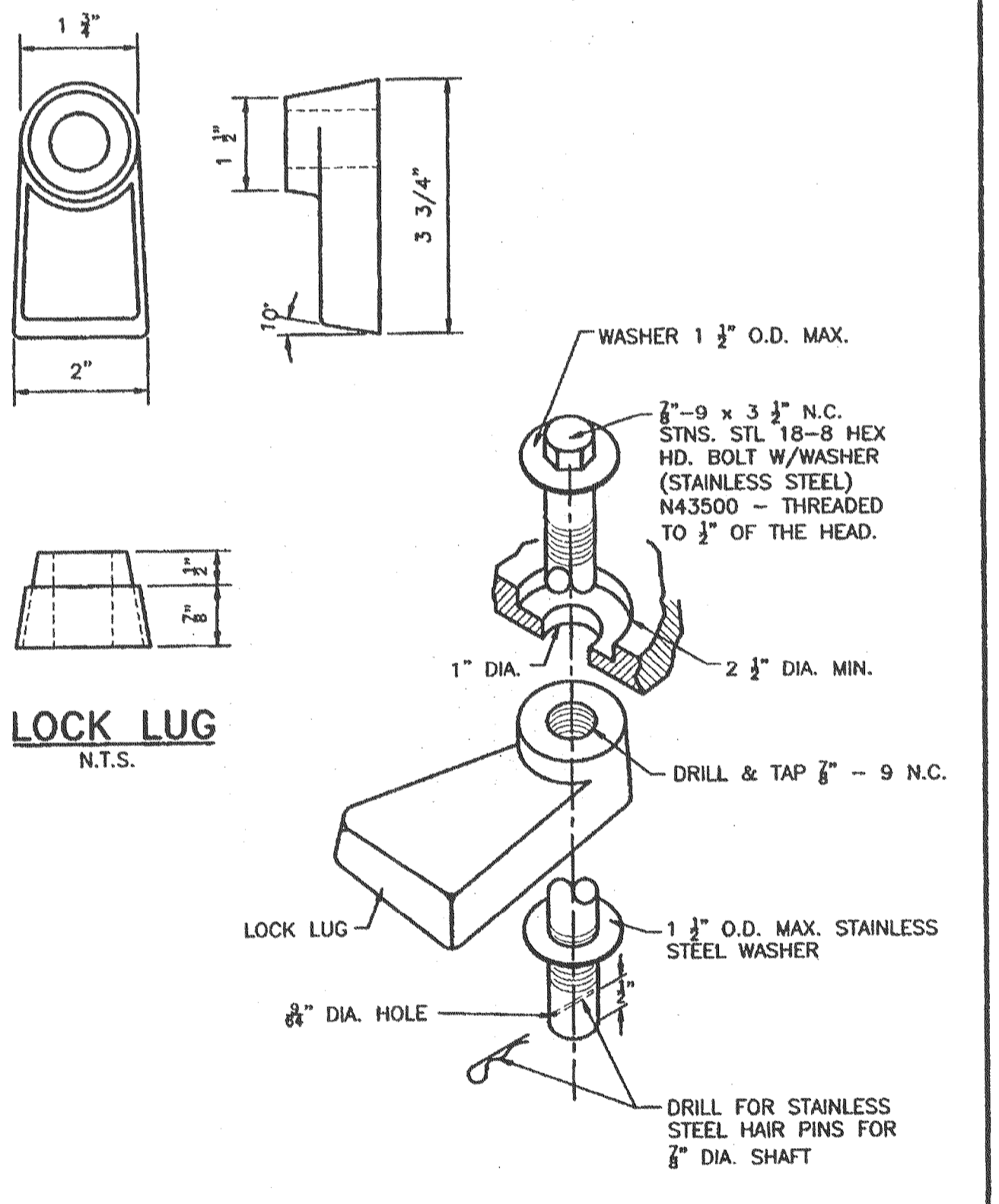
**Duckett Creek Sanitary District**

CAST IRON MANHOLE COVERS (LOCK TYPE)	Dim By: BSM	App By: KLA	Detail No. 14
	Chd By: MDOB	Date: 12-27-00	



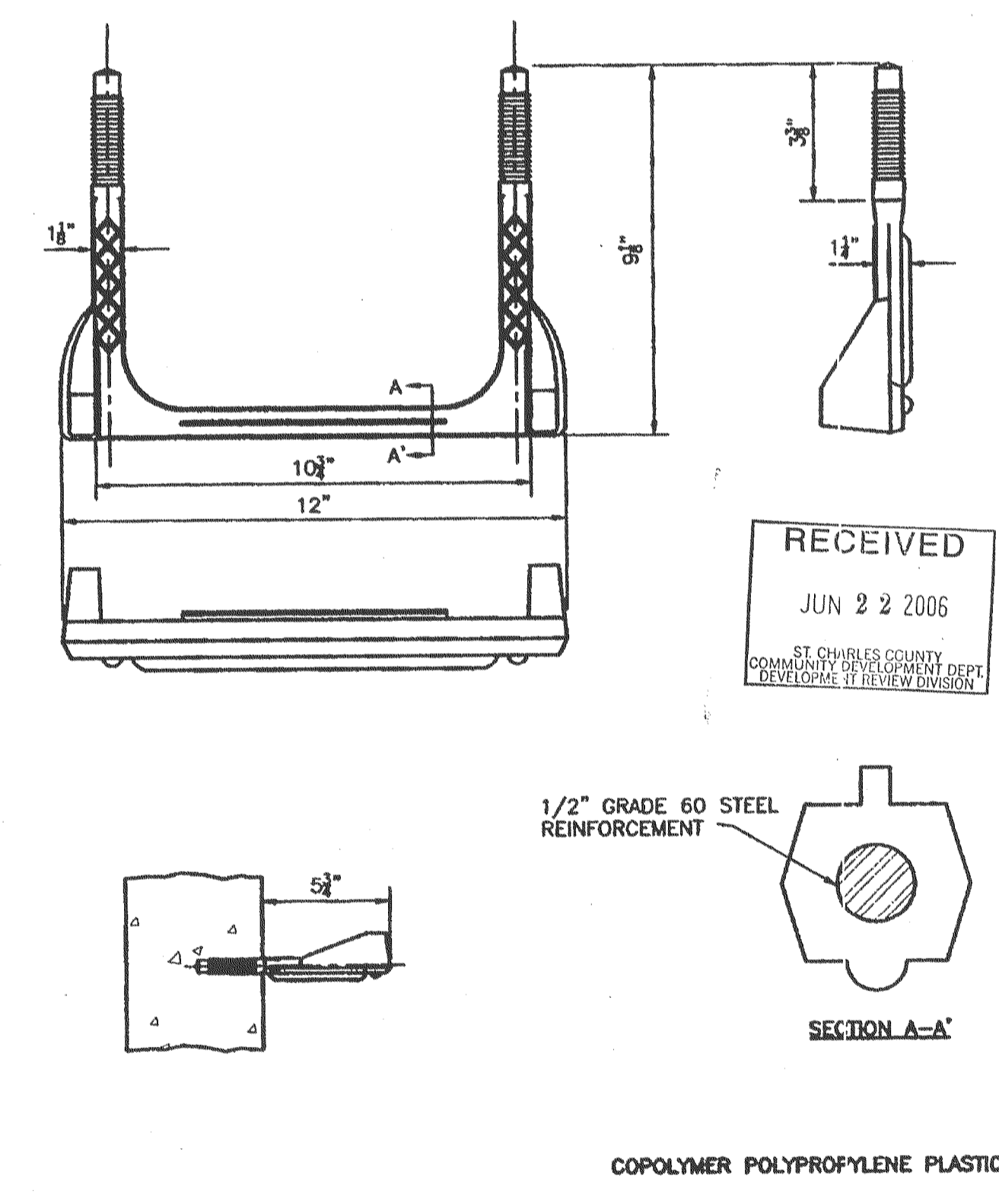
**Duckett Creek Sanitary District**

LOCKING DEVICE FOR TYPE "T" LOCK TYPE MANHOLE COVER	Dim 1: BSM	App By: KLA	Detail No. 15
	Chd 2: MDOB	Date: 12-27-00	



**Duckett Creek Sanitary District**

LOCKING DEVICE FOR TYPE "N" LOCK TYPE MANHOLE COVER	Dim By: BSM	App By: KLA	Detail No. 16
	Chd By: MDOB	Date: 12-28-00	



**Duckett Creek Sanitary District**

MANHOLE STEP PRECAST MANHOLE	Dim By: BSM	App By: KLA	Detail No. 18
	Chd By: MDOB	Date: 1-3-01	

NOTE: THE DETAILS SHOWN HEREIN ARE FOR THE PURPOSE OF PRIVATE CONSTRUCTION ONLY. PUBLIC CONSTRUCTION WILL REQUIRE STRICT ADHERENCE TO THE DETAILS PUBLISHED BY DUCKETT CREEK AND ST. CHARLES COUNTY.

**REVISIONS**

DATE	BY	REASON
5/19/06	BSM	ST. CHARLES CO. REVIEW COMMENTS
6/5/06	BSM	DUCKETT CREEK SAN DIST COMMENTS
6/27/06	BSM	PHASE 1Z REVIEW COMMENTS
6/27/06	BSM	COUNTY COMMENTS

DEVELOPER/OWNER:  
**THE JONES COMPANY HOMES, L.L.C.**  
16640 CHESTERFIELD GROVE, SUITE 160  
CHESTERFIELD, MO 63005  
PHONE: (636) 637-7192

THE PROFESSIONAL WHOSE SIGNATURE AND PERSONAL SEAL APPEAR HEREON HAS REVIEWED THIS DRAWING AND CONFIRMS THAT IT ACCURATELY REPRESENTS THE DESIGN INTENT OF THE PROJECT. ANY OTHER DOCUMENTS OR REVISED DRAWINGS MUST BE REFERRED TO FOR THE PROJECT TO WHICH THIS DRAWING APPLIES.

ST. CHARLES COUNTY  
COMMUNITY DEVELOPMENT DEPT.  
DEVELOPMENT REVIEW DIVISION  
RECEIVED  
JUN 22 2006

**PRESTON WOODS - PHASE I**  
IMPROVEMENT PLANS  
RHODES LANE  
ST. CHARLES, MO. 63366  
SANITARY SEWER DETAILS

planning • engineering • surveying • landscape architecture  
**Cole and Associates Incorporated**  
10777 sunset office dr. 63127  
saint louis, missouri  
p: 314 984 9887 f: 314 984 0587

DESIGNED BY: JKW  
DRAWN BY: BJ  
CHECKED BY: JFH  
DATE: 2/2/06  
Job Number: 05-340  
Sheet Number: C10.2

USER: MIGHT TAB SANITARY 10.2  
DRAWING: S:\ISS\2005\05-340\05-340\_VDS\_05-340.dwg VPHASE IMPROVEMENT PLANS\CD\_PLAN\_C10.2\_DETAILS.dwg