

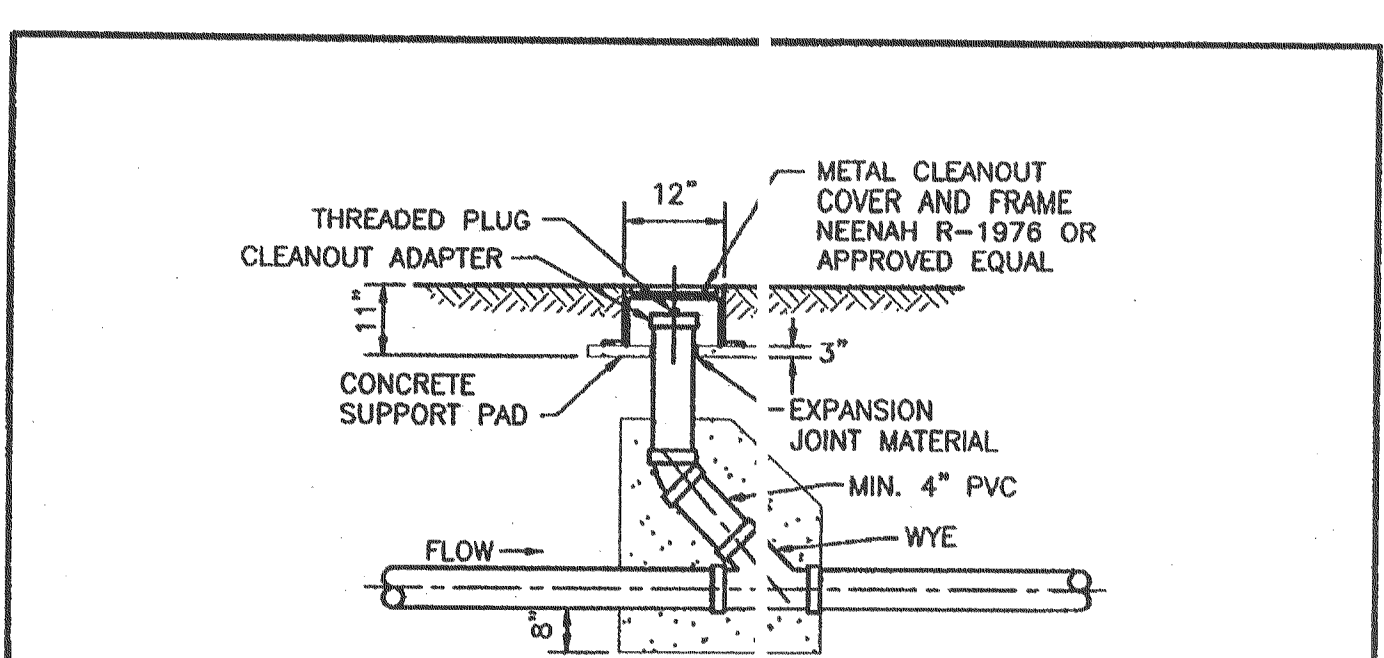
- NOTES:
1. GROUTED RIP-RAP IS REQUIRED AT ALL CREEK CROSSINGS WHERE THE EMBANKMENTS CROSSED ARE STEEPER THAN 1 VERTICAL TO 2 HORIZONTAL RATIO SLOPE; AND ALSO WHERE THERE IS 3 FEET OR LESS COVER OVER THE TOP OF THE SEWER MAIN.
 2. PLACE RIP-RAP ON LOWER 3/4 OF SLOPE. GRADE UPPER 1/4 OF SLOPE AT 1 VERTICAL TO 2 HORIZONTAL SLOPE FOR SOD OR 1 VERTICAL TO 2.5 HORIZONTAL SLOPE FOR SEED AND STRAW.
 3. RIP-RAP TO BE "MSD 5" GRADATION, MINIMUM 12" THICK, GROUTED WITH 8 SACK MIX, SAND-CEMENT SLURRY, BROOM FINISH.
 4. INCORPORATE A 3 FEET DEEP TOE WALL ON EMBANKMENT'S UPPER EDGE OF RIP-RAP.
 5. TOP SURFACE OF RIP-RAP SHOULD NOT BE HIGHER THAN ADJACENT GROUND SURFACE.
 6. IF PIPE HAS LESS THAN 12" COVER, A PAVED CHANNEL MAY BE REQUIRED.
 7. DUCTILE IRON PIPE IS REQUIRED WITHIN THE CREEK LIMITS.

Duckett Creek Sanitary District

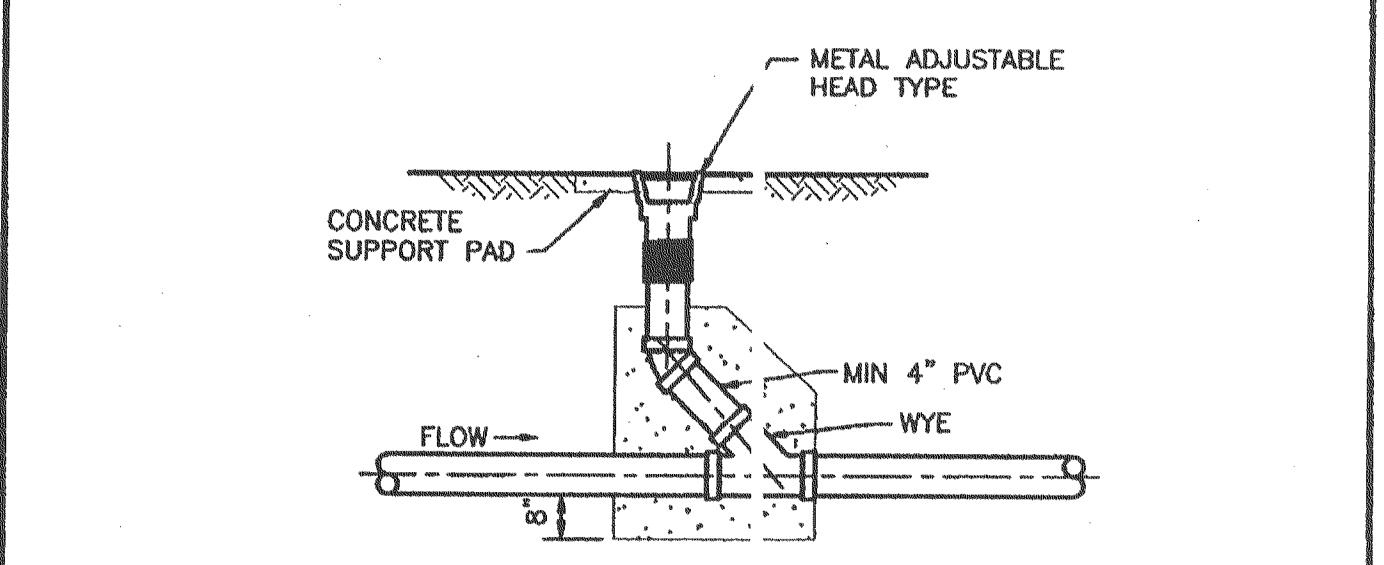
TYPICAL CREEK CROSSING

Des: BSM App: KLA Detail No. 24

Chd: MDOB Date: 1-8-01



METAL FRAME AND COVER TYPE CLEANOUT



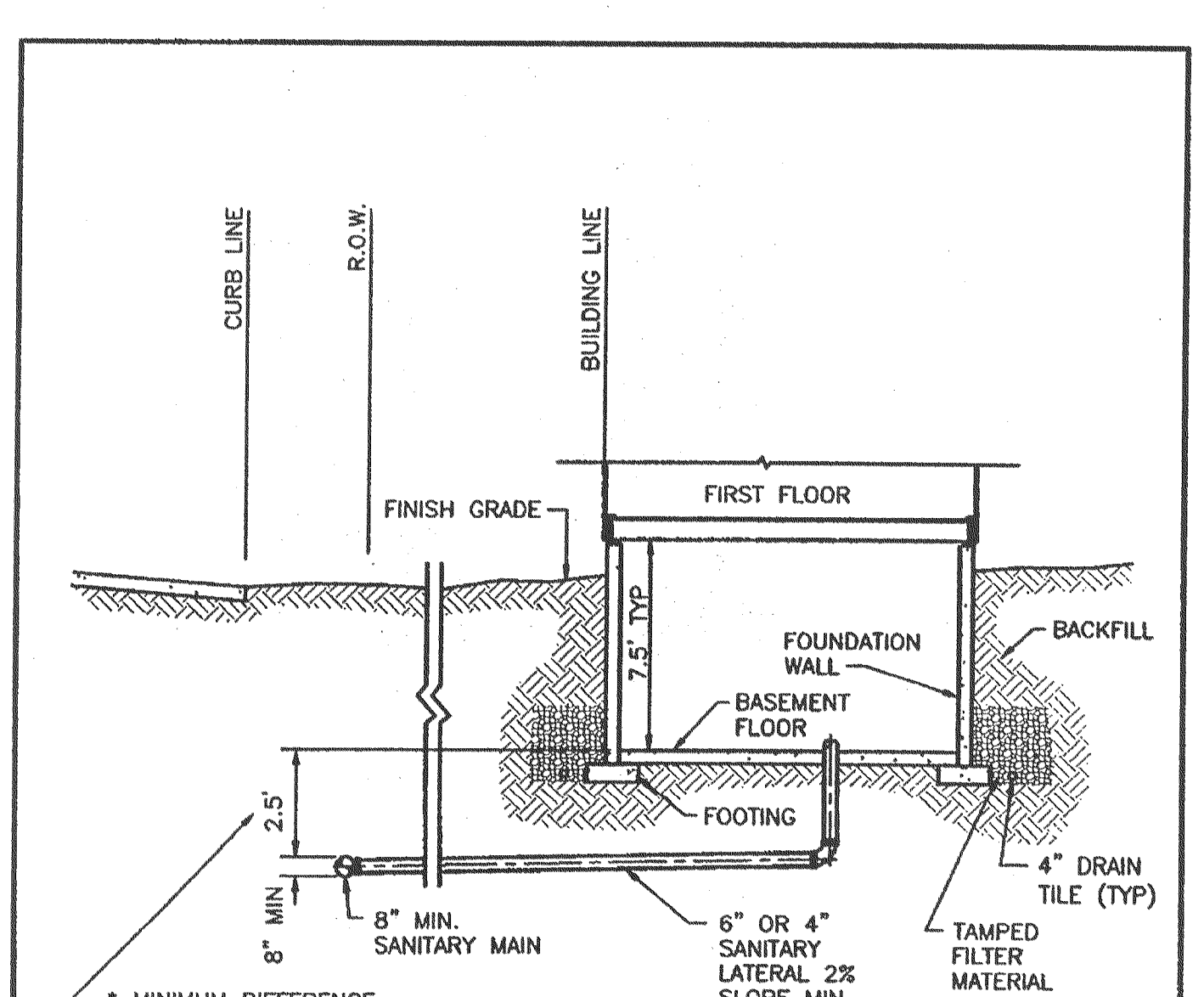
ADJUSTABLE HEAD TYPE CLEANOUT

Duckett Creek Sanitary District

TYPICAL SEWER LATERAL CLEANOUT DETAILS

Des: BSM App: KLA Detail No. 25

Chd: MDOB Date: 1-8-01



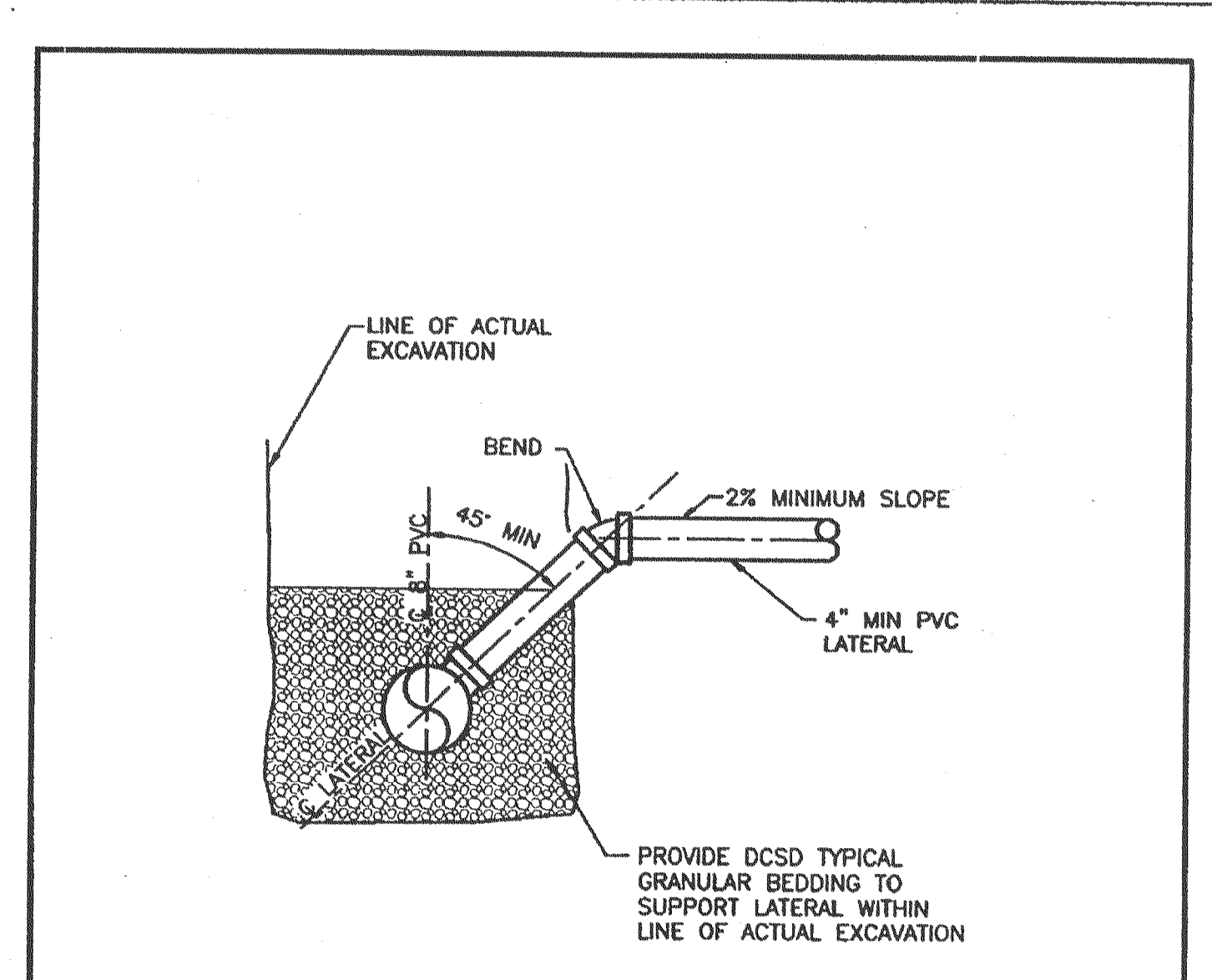
*NOTE: DIFFERENCE IN DEPTH INCREASES WITH PIPE SIZE

Duckett Creek Sanitary District

TYPICAL SANITARY SEWER LATERAL PROFILE

Des: BSM App: KLA Detail No. 26

Chd: MDOB Date: 1-9-01

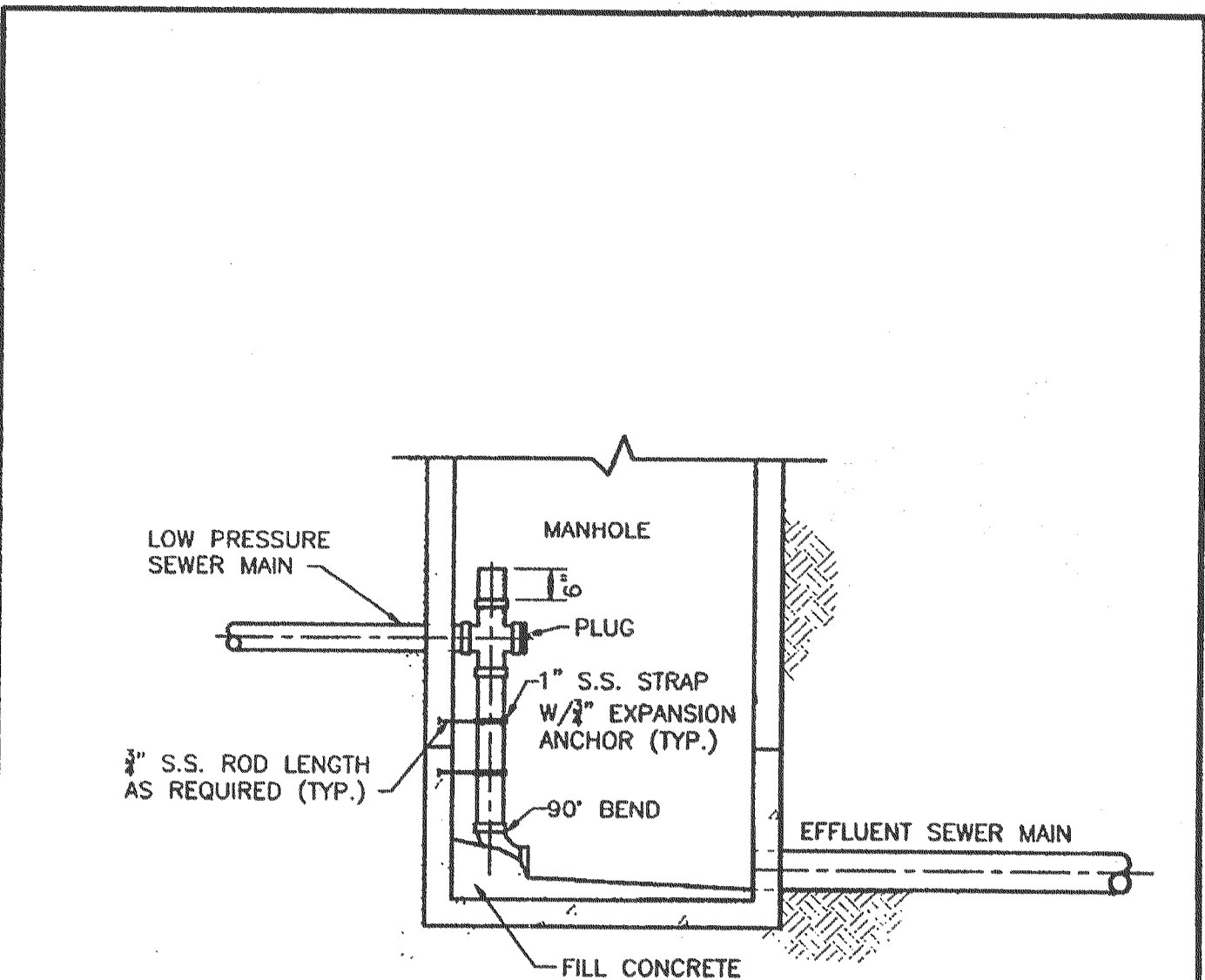


Duckett Creek Sanitary District

SANITARY SEWER LATERAL RISER DETAIL

Des: BSM App: KLA Detail No. 27

Chd: MDOB Date: 1-9-01



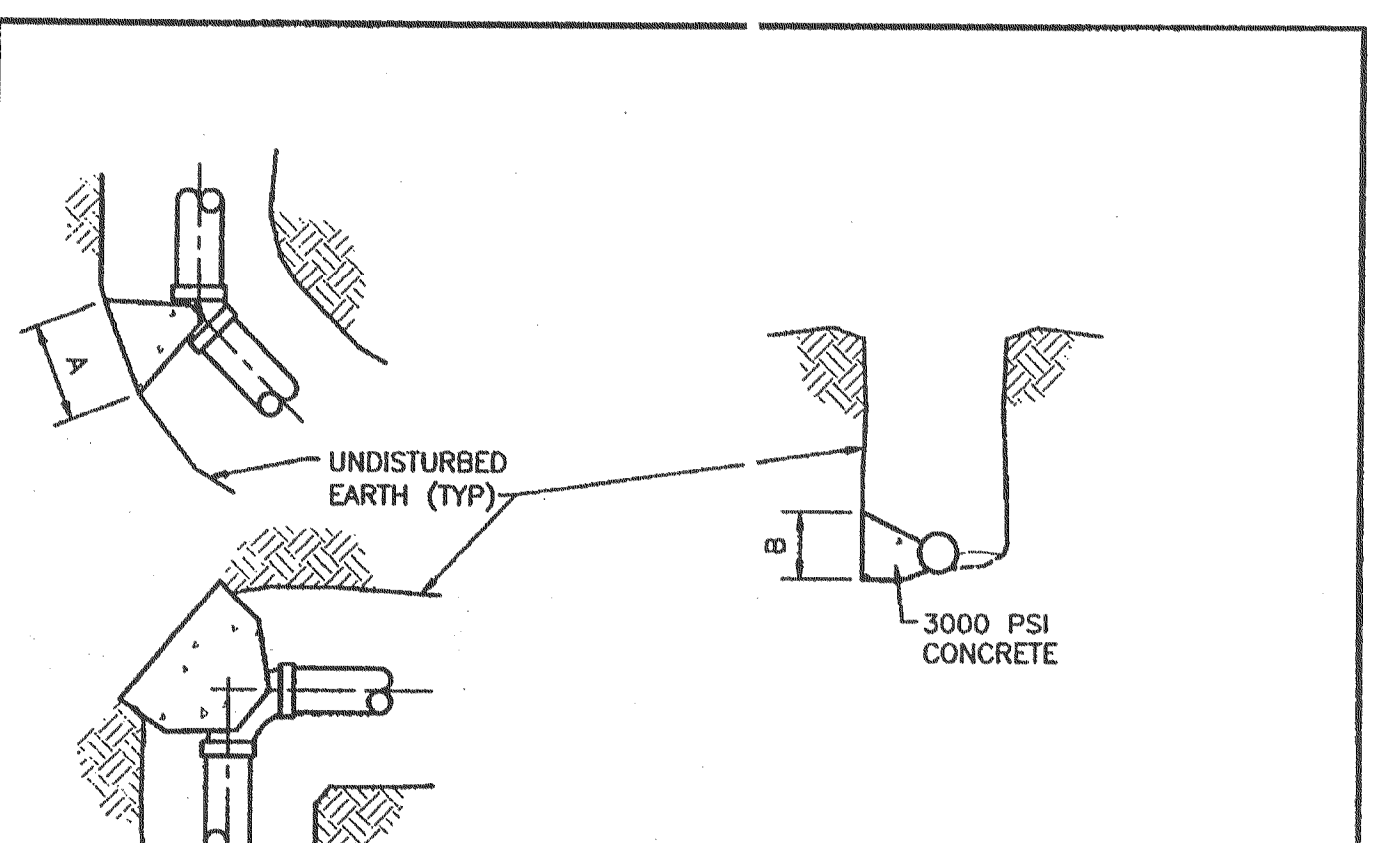
NOTE: INVERT-BOTTOM SHALL BE WORKED TO PROVIDE POSITIVE DRAINAGE THROUGH MANHOLE

Duckett Creek Sanitary District

LOW PRESSURE SEWER MAIN CONNECTION AT MANHOLE

Des: BSM App: KLA Detail No. 28

Chd: MDOB Date: 1-9-01



MAIN SIZE	A x B	L x B	A x B	A x B
	22"	45"	90"	TEE
2"	.5' x 1'	.5' x 1'	1' x 1'	1' x 1'
4"	1' x 1'	1' x 1'	1.5' x 1'	1' x 1'
6"	1' x 1'	.5' x 1'	2' x 1'	1.5' x 1'
8"	1' x 1'	2' x 1'	2' x 1'	2' x 1'

Duckett Creek Sanitary District

THRUST BLOCK DETAIL AND SIZE SCHEDULE

Des: BSM App: KLA Detail No. 29

Chd: MDOB Date: 1-9-01

RECEIVED
JUN 22 2006
ST. CHARLES COUNTY DEPT. OF COMMUNITY DEVELOPMENT REVIEW DIVISION

REVISIONS

DATE	BY	REVISIONS
4/28/06	A	OWNER COUNTY COMMENTS
5/18/06	A	ST. CHARLES CO. REVIEW COMMENTS
6/5/06	A	DUCKETT CREEK SAN. DIST. COMMENTS
6/5/06	A	PHSD #2 REVIEW COMMENTS
6/27/06	A	COUNTY COMMENTS

DEVELOPER/OWNER:
THE JONES COMPANY HOMES, L.L.C.
16640 CHESTERFIELD GROVE, SUITE 160
CHESTERFIELD, MO 63005
PHONE: (636) 537-7192

DESIGNED BY: JKW
DRAWN BY: BJ
CHECKED BY: JFH

DATE: 2/2/06
Job Number: 05-340
Sheet Number: C10.4

planning • engineering • surveying • landscape architecture
Gole and ASSOCIATES INCORPORATED
10777 sunset office dr. suite 10
scottsdale, arizona 85258
p: 314 984 8687 f: 314 984 0687

PRESTON WOODS - PHASE I
IMPROVEMENT PLANS
RHODES LANE
ST. CHARLES, MO. 63366
SANITARY SEWER DETAILS

NOTE: THE DETAILS SHOWN HEREIN ARE FOR THE PURPOSE OF PRIVATE CONSTRUCTION ONLY. PUBLIC CONSTRUCTION WILL REQUIRE STRICT ADHERENCE TO THE DETAILS PUBLISHED BY DUCKETT CREEK AND ST. CHARLES COUNTY.