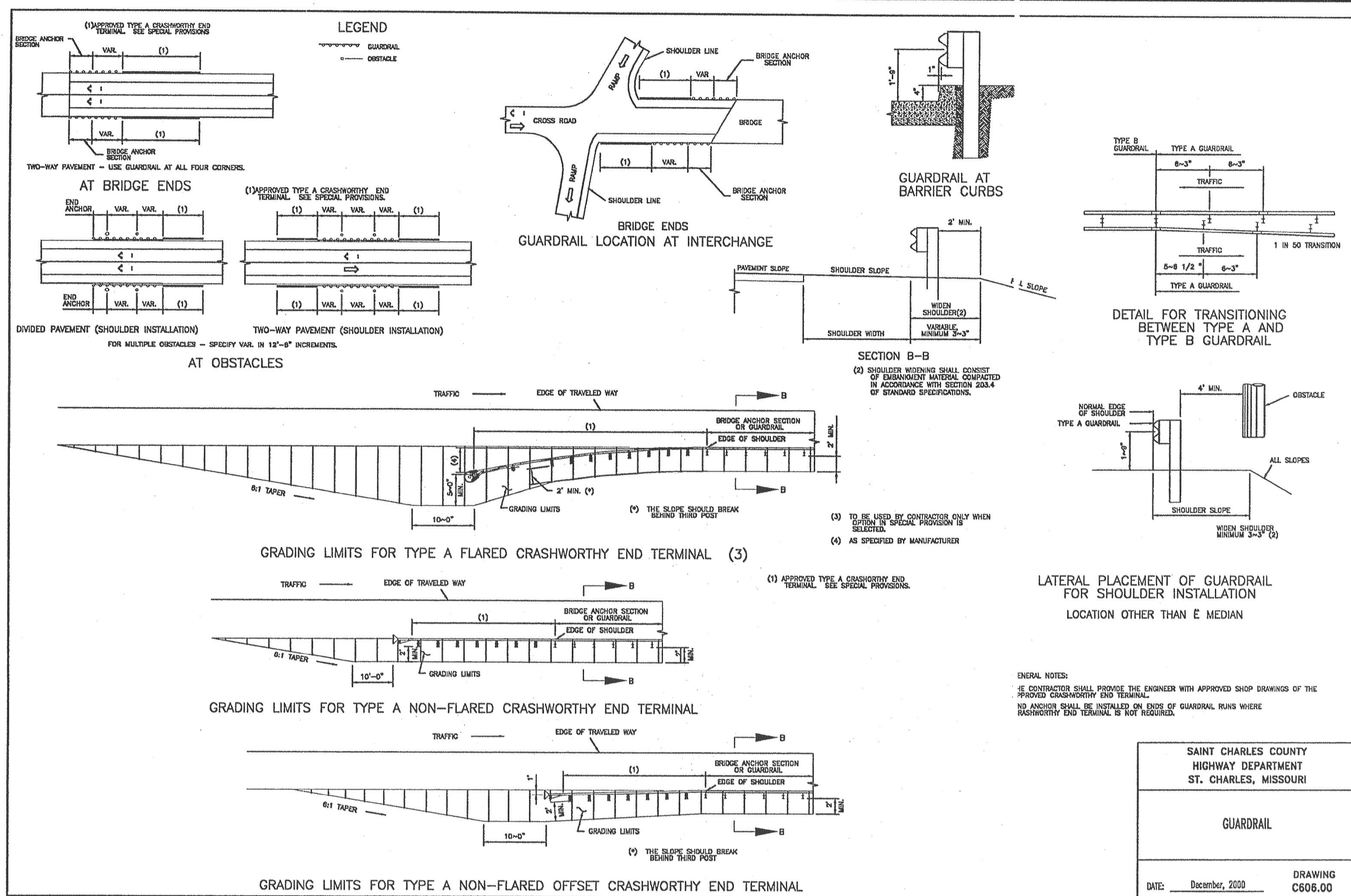
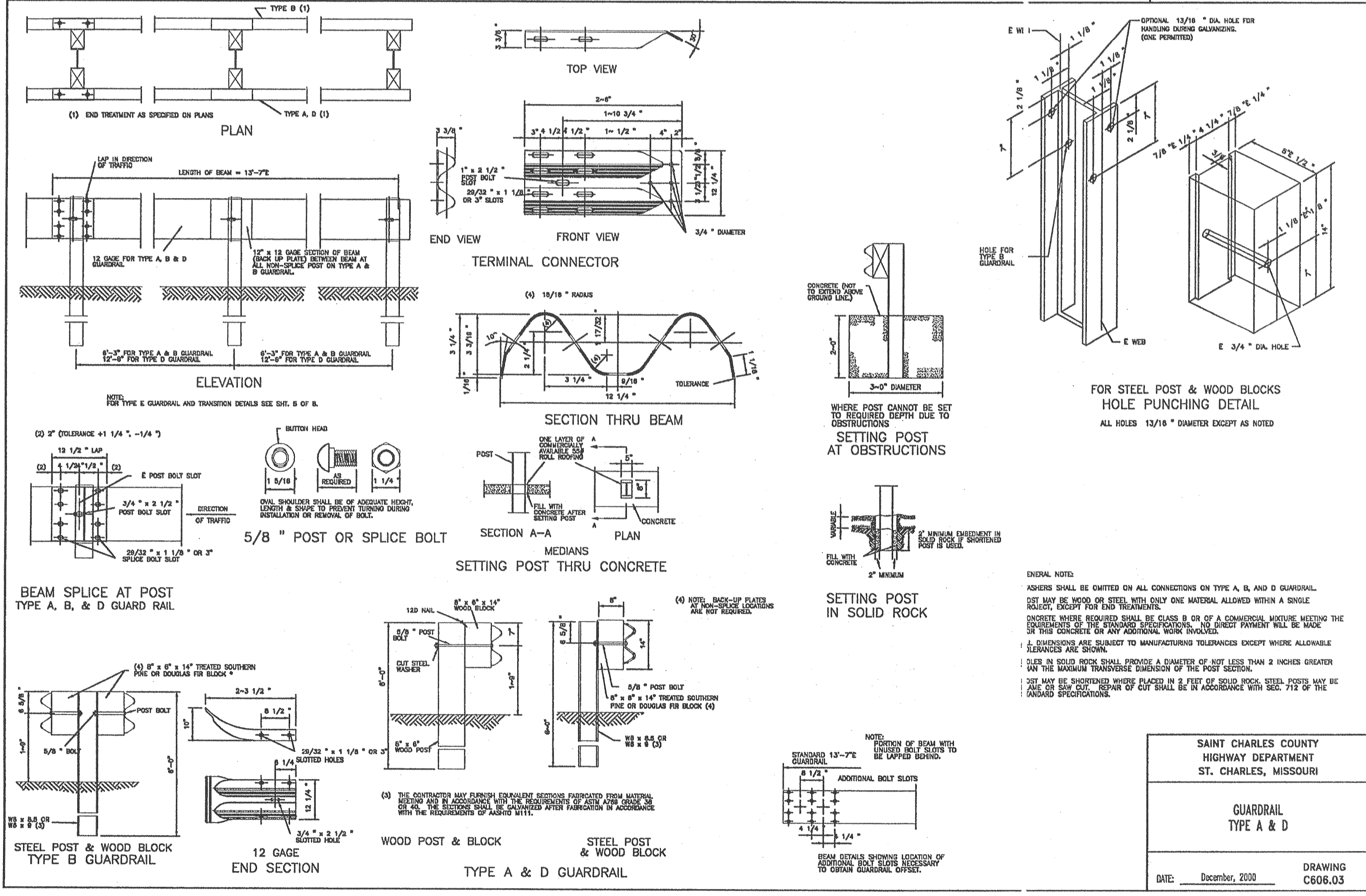


USER: M:\highway\10.9 SITE DETAIL SHEET 10.9
 DATE: 12/2/06
 DRAWING: S:\V055\05-340\05-340\PHASE IMPROVEMENT PLANS\PLAN_C10.9\DETAILS.dwg



SAINT CHARLES COUNTY
 HIGHWAY DEPARTMENT
 ST. CHARLES, MISSOURI

DATE: December, 2000 DRAWING: C606.00



SAINT CHARLES COUNTY
 HIGHWAY DEPARTMENT
 ST. CHARLES, MISSOURI

DATE: December, 2000 DRAWING: C606.03

RECEIVED
 JUN 22 2006
 ST. CHARLES COUNTY
 COMMUNITY DEVELOPMENT DEPT
 DEVELOPMENT REVIEW DIVISION

REVISIONS

DATE	BY	REVISION
4/18/06	ST. CHARLES CO.	REVIEW COMMENTS
5/18/06	ST. CHARLES CO.	REVIEW COMMENTS
6/5/06	DUCKETT CREEK SAN DIST	REVIEW COMMENTS
6/5/06	EMWD #2	REVIEW COMMENTS
6/21/06	ST. CHARLES COUNTY	REVIEW COMMENTS

DEVELOPER/OWNER:
 THE JONES COMPANY HOMES, L.L.C.
 16640 CHESTERFIELD GROVE, SUITE 160
 CHESTERFIELD, MO 63005
 PHONE: (636) 637-7192

THE PROFESSIONAL ENGINEER HAS REVIEWED AND APPROVED THE WORK SHOWN HEREIN FOR THE PURPOSES OF THIS DRAWING. THE ENGINEER ASSUMES NO RESPONSIBILITY FOR ANY ERRORS OR OMISSIONS ON THIS DRAWING. THE ENGINEER'S RESPONSIBILITY IS LIMITED TO THE WORK SHOWN HEREIN AND DOES NOT EXTEND TO ANY OTHER PARTS OF THE PROJECT. THE ENGINEER'S PROFESSIONAL LIABILITY IS LIMITED TO THE WORK SHOWN HEREIN AND DOES NOT EXTEND TO ANY OTHER PARTS OF THE PROJECT TO WHICH THIS ENGINEER HAS NOT BEEN RETAINED TO BE USED.

SEAL OF MISSOURI REGISTERED PROFESSIONAL ENGINEER
 JOHN F. HARRIS
 No. 12716
 E-23716

PRESTON WOODS - PHASE I
 IMPROVEMENT PLANS
 RHODES LANE
 ST. CHARLES, MO. 63366

SITE DETAILS

planning • engineering • surveying • landscape architecture
Cole and ASSOCIATES
 INCORPORATED
 10777 sunset office dr. suite 10
 saint louis, missouri 63127
 p: 314 984 8887 f: 314 984 0587

DESIGNED BY: JKW
 DRAWN BY: BJ
 CHECKED BY: JFH
 DATE: 2/2/06
 Job Number: 05-340
 Sheet Number: C10.9

NOTE: THE DETAILS SHOWN HEREIN ARE FOR THE PURPOSE OF PRIVATE CONSTRUCTION ONLY. PUBLIC CONSTRUCTION WILL REQUIRE STRICT ADHERENCE TO THE DETAILS PUBLISHED BY DUCKETT CREEK AND ST. CHARLES COUNTY.