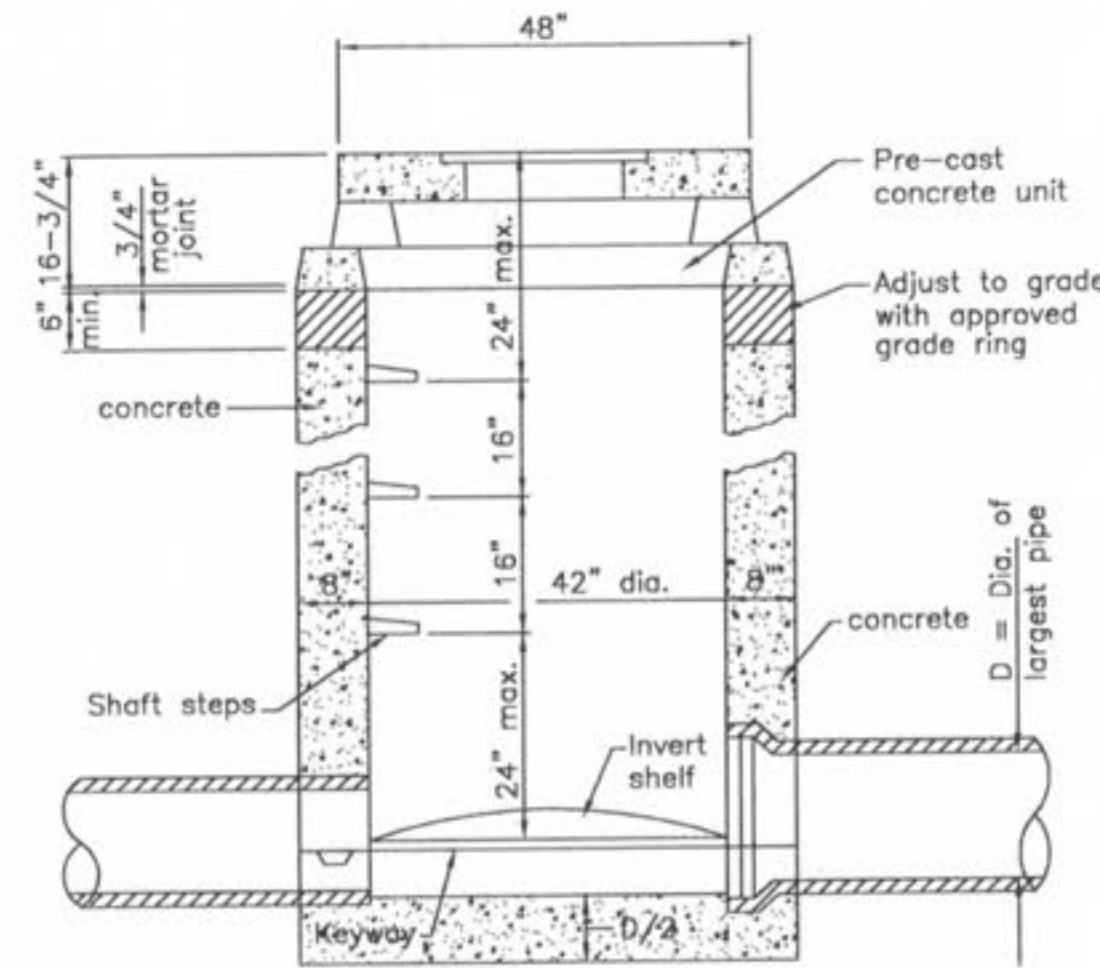
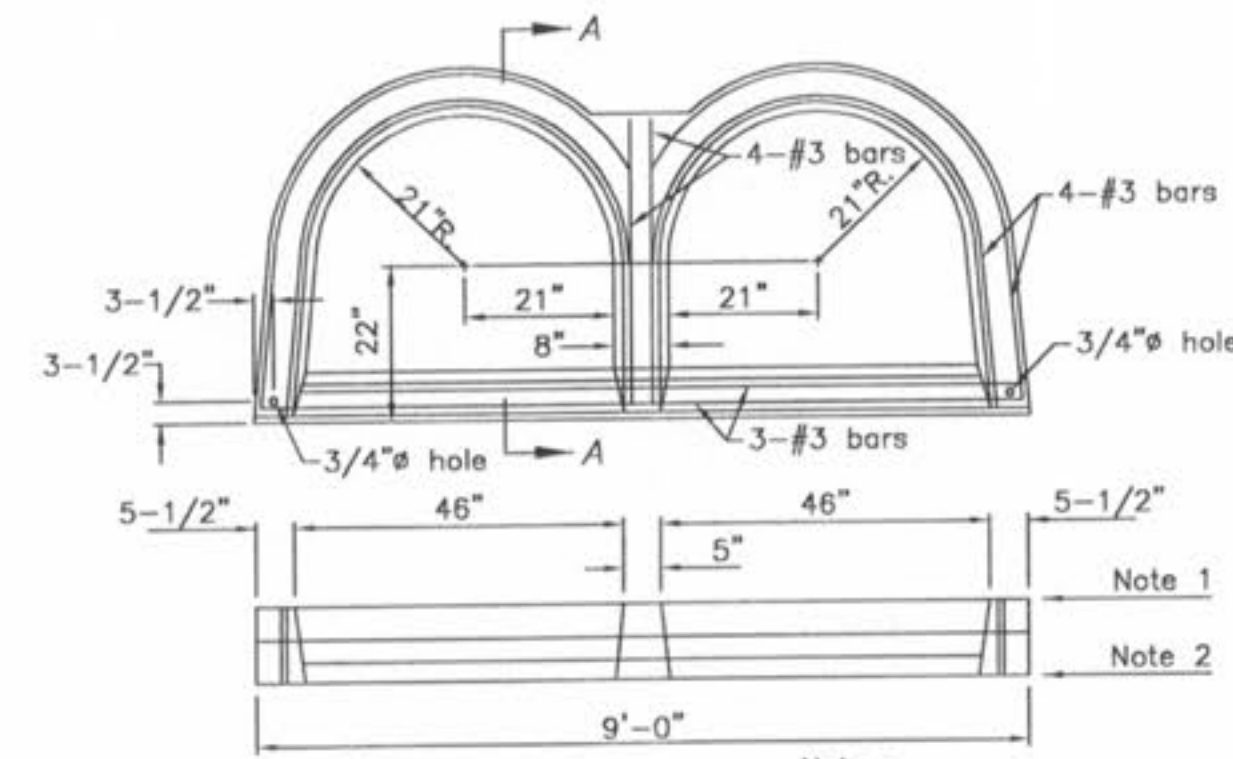


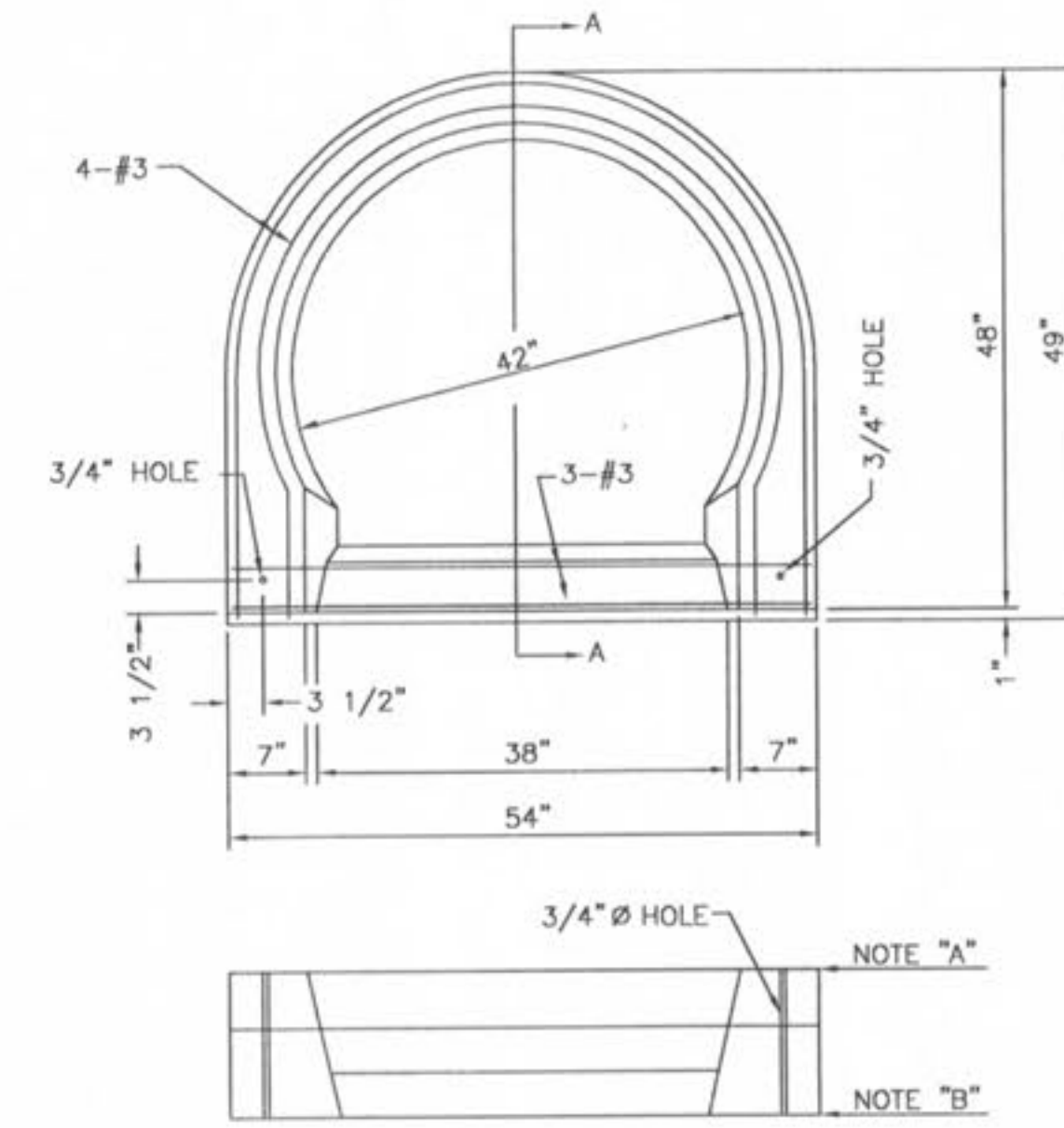
1 PIPE BEDDING CLASS "C" DETAIL
SCALE: N.T.S.



2 AREA INLET
SCALE: N.T.S.



3 DOUBLE CURB INLET
SCALE: N.T.S.



4 SINGLE CURB INLET DETAIL
SCALE: N.T.S.

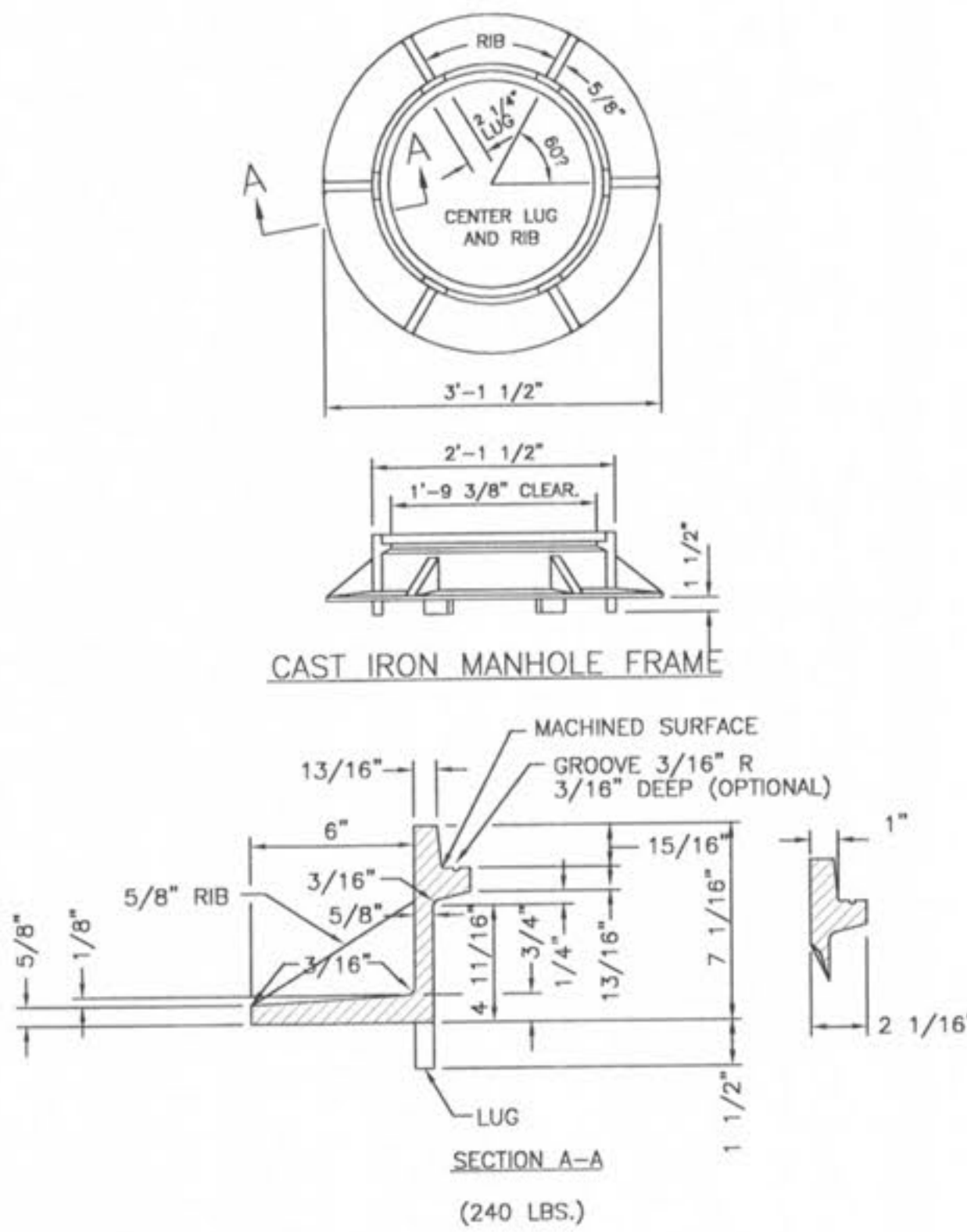
PRECAST CONCRETE STORMWATER STRUCTURES
MINIMUM DISTANCE FLOWLINE TO TOP OF STONE OR GRATE

PIPE I.D. NOMINAL INCHES	AREA INLET			(2) GRATE INLET			SINGLE STREET INLET		
	CIRCULAR BASE DIA.	SQUARE	RECTANGLE	CIRCULAR BASE DIA.	SQUARE	RECTANGLE	CIRCULAR BASE DIA.	SQUARE	RECTANGLE
12"	45"	48"	60"	42"	48"	60"	42"	48"	60"
15"	48"	51"	63"	45"	51"	63"	45"	51"	63"
18"	51"	54"	66"	48"	54"	66"	48"	54"	66"
21"	54"	57"	69"	51"	57"	69"	51"	57"	69"
24"	57"	60"	72"	54"	60"	72"	54"	60"	72"
27"	60"	63"	75"	57"	63"	75"	57"	63"	75"
30"	63"	66"	78"	60"	66"	78"	60"	66"	78"
33"	66"	69"	81"	63"	69"	81"	63"	69"	81"

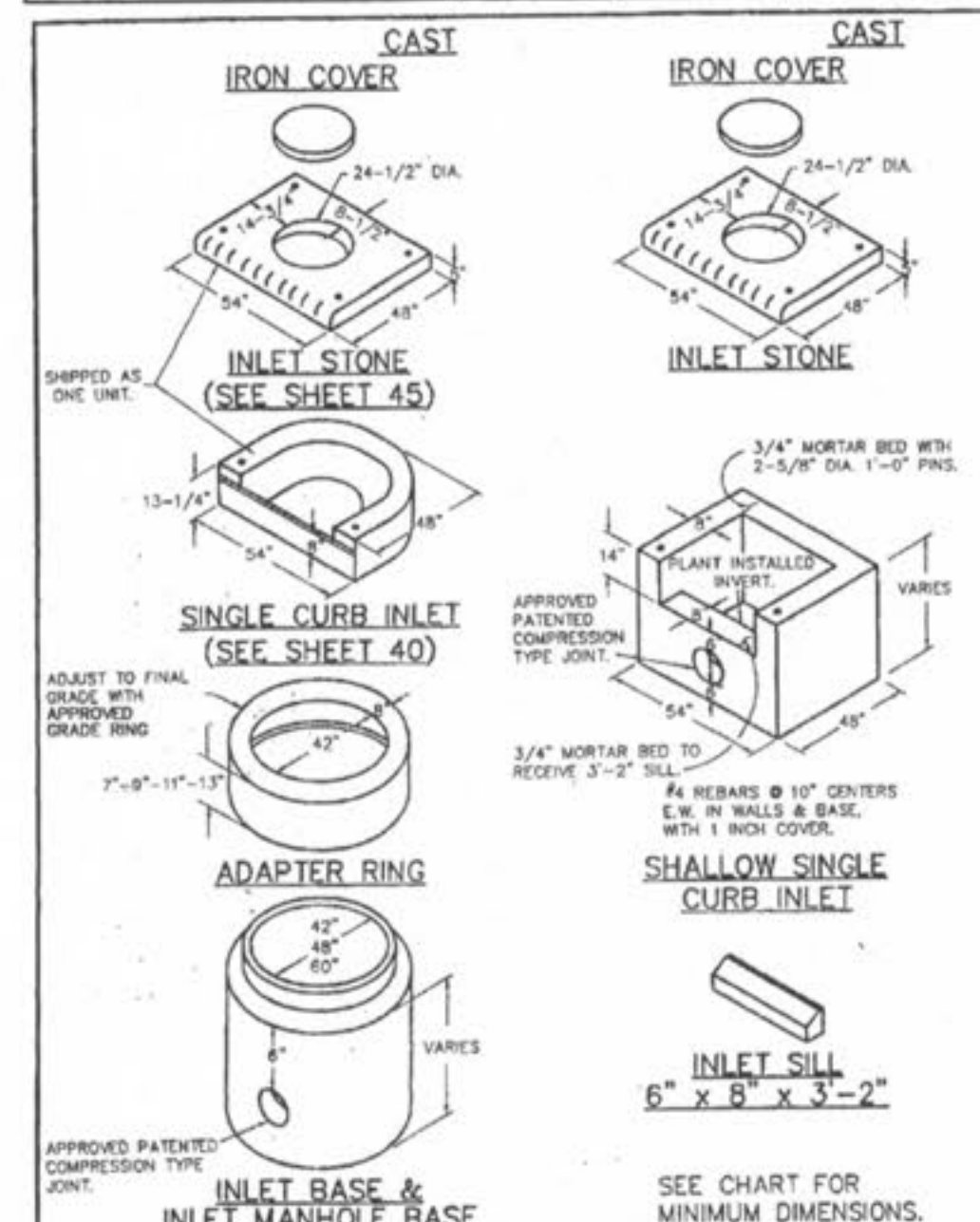
(SEE SHEET 35 FOR DETAIL) (SEE SHEET 36 FOR DETAIL) (SEE SHEET 37 FOR DETAIL)

NOTES:
1) 48" DIAMETER BASE REQUIRES 3" HIGH TRANSITION SECTION TO 42" DIAMETER, SIMILAR TO "ADAPTER RING" SHEET 35.
2) 60" DIAMETER BASE REQUIRES 2 1/2" HIGH CONCENTRIC REDUCER TRANSITION TO 42" DIAMETER, SIMILAR TO "ADAPTER RING" SHEET 35.
3) STANDARD DEPTH = 3 1/2" PIPE DIAMETER.

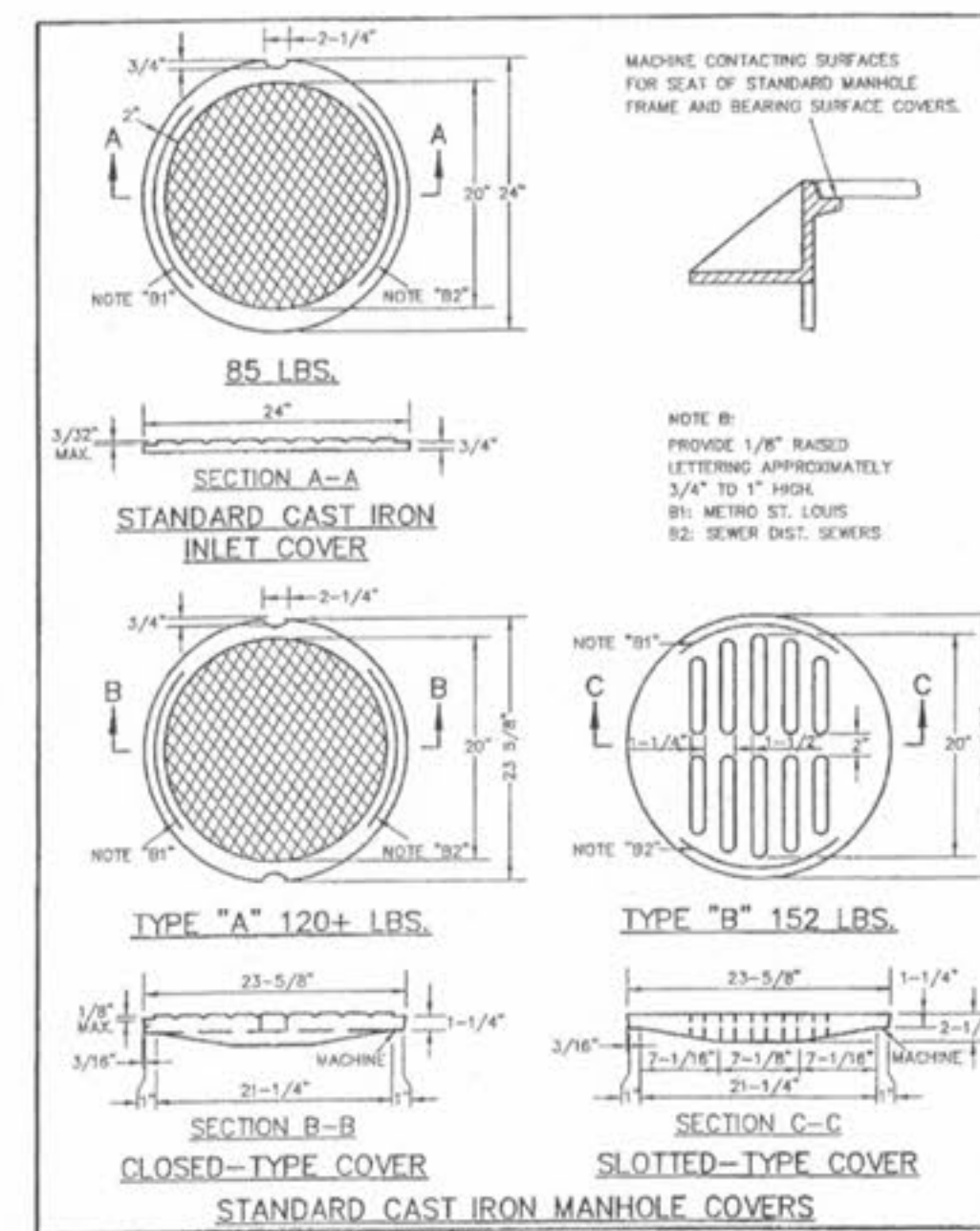
PRECAST CONCRETE STORMWATER STRUCTURES
METROPOLITAN ST. LOUIS SEWER DISTRICT
Standard Details of Sewer Construction
Dr. J.L.G. Ch. J.C.K. 2000 SHEET 34



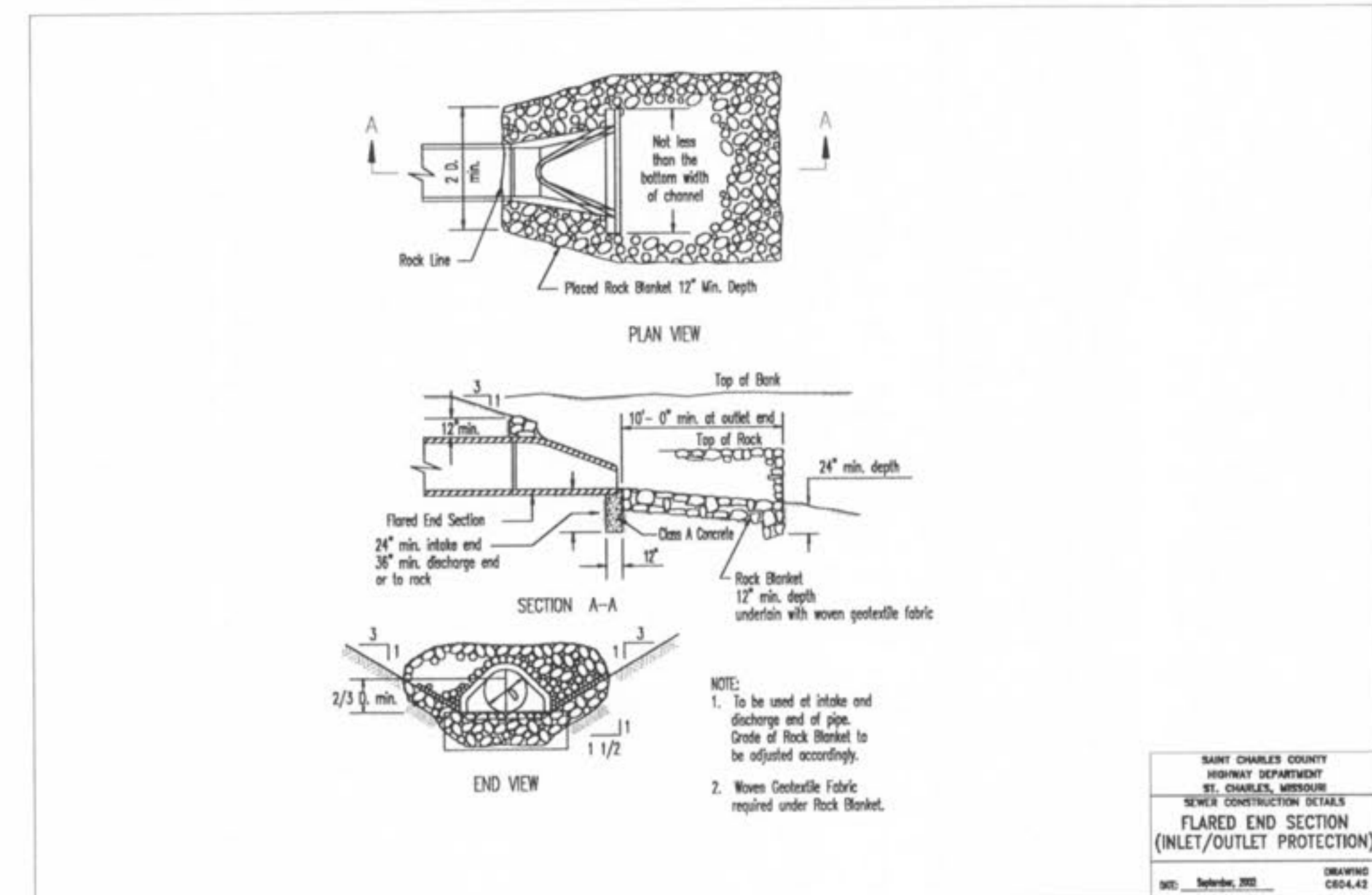
3 CAST IRON MANHOLE FRAME DETAIL
SCALE: N.T.S.



PRECAST CONCRETE
METROPOLITAN ST. LOUIS SEWER DISTRICT
Standard Details of Sewer Construction
Dr. J.L.G./SAM Ch. J.C.K. 2000 SHEET 37



CAST IRON COVERS
MANHOLES AND INLETS
METROPOLITAN ST. LOUIS SEWER DISTRICT
Standard Details of Sewer Construction
Dr. ROW/SAM Ch. J.C.K. 2000 SHEET 53



NOTE: THE DETAILS SHOWN HEREIN ARE FOR THE PURPOSE OF PRIVATE CONSTRUCTION ONLY. PUBLIC CONSTRUCTION WILL REQUIRE STRICT ADHERENCE TO THE DETAILS PUBLISHED BY DUCKETT CREEK AND ST. CHARLES COUNTY.

USER: MIGHT TAB, STORM 10.6
DATE: OCT 23, 2007 - 12:09pm
DRAWING: S:\055\055007\055007-0041\055007-0041.dwg IMPROVEMENT PLANS PHASE 2\0_PLN_C10.DETAILS.dwg

REVISIONS

DATE	BY	REVISION
8/24/07	WINNER	WINNER PWD#42/DUCKETT CREEK
9/14/07	WINNER	WINNER COMMENTS
9/14/07	WINNER	DUCKETT CREEK COMMENTS
9/14/07	WINNER	DUCKETT CREEK COMMENTS
10/19/07	WINNER	CITY OF FALLON COMMENTS
10/23/07	WINNER	CITY OF FALLON COMMENTS

THE JONES COMPANY HOMES, L.L.C.
16640 CHESTERFIELD GROVE, SUITE 200
CHESTERFIELD, MO 63005
PHONE: (636) 537-7192



PRESTON WOODS - PHASE II
IMPROVEMENT PLANS
PRESTON WOODS LANE
OF FALLON, MO. 63366
STORM SEWER DETAILS

planning + engineering + surveying + landscape architecture
Cole
and ASSOCIATES
INCORPORATED
10777 sunset office dr.
saint louis, missouri 63127
p. 314 984 9887 f. 314 984 0587

DESIGNED BY JKW
DRAWN BY KDK
CHECKED BY JFH
DATE 6/14/07
Job Number 07-0041
Sheet Number
C10.6