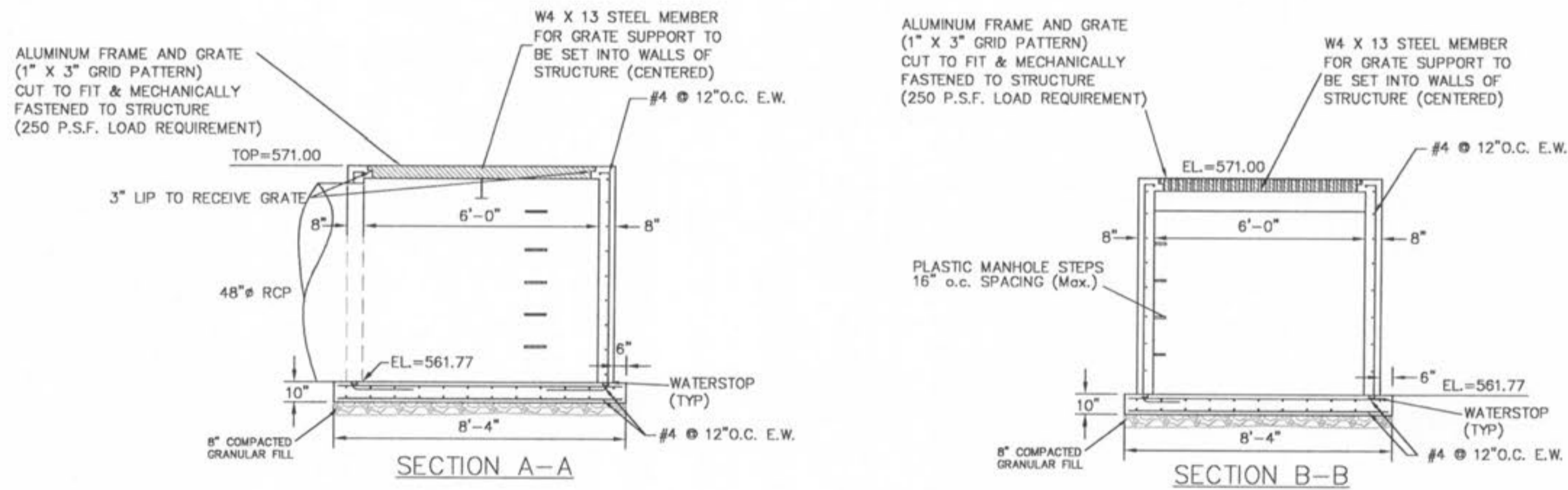


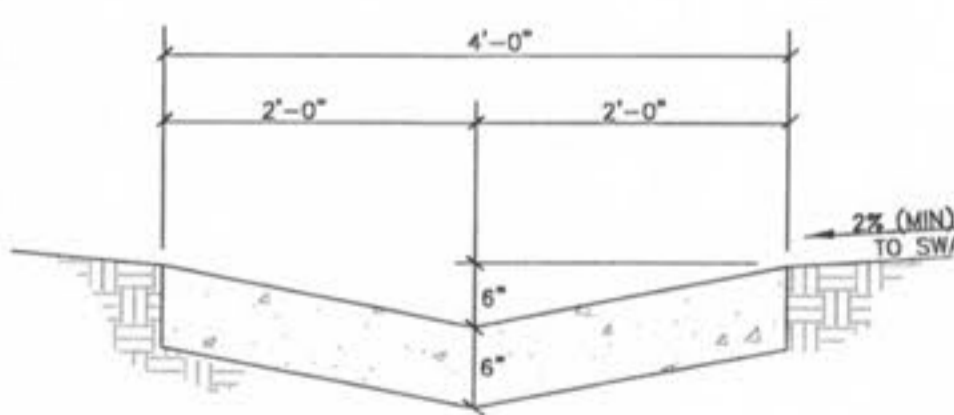
REINFORCING @ DISCHARGE PIPES
SCALE: N.T.S.

NOTE:
1. OUTLET STRUCTURE MAY BE PRE-CAST, STRUCTURAL DRAWINGS (BY OTHERS) TO BE SUBMITTED TO CITY OF O'FALLON AND APPROVED BEFORE CONSTRUCTED.

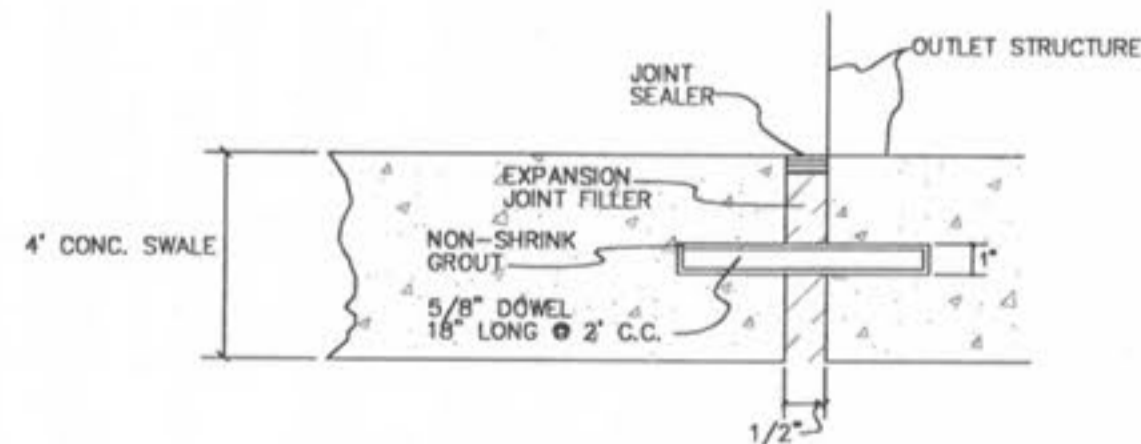
2. CONTRACTOR RESPONSIBLE FOR OBTAINING BUILDING PERMIT FOR OUTLET STRUCTURE FROM CITY OF O'FALLON.



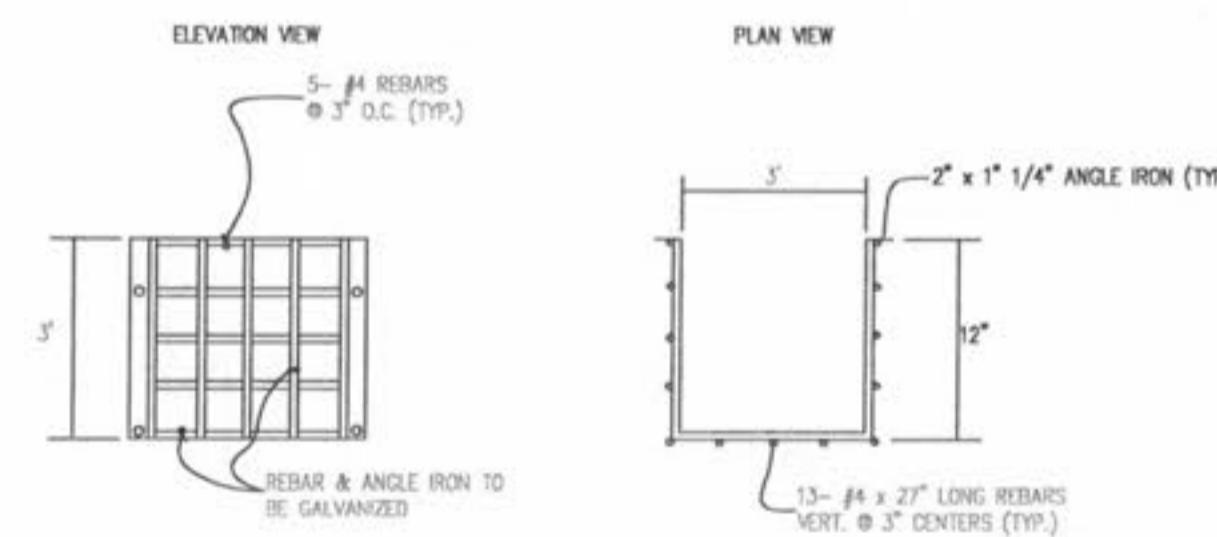
1 BASIN "B" OUTLET STRUCTURE
SCALE: N.T.S. REF. DWG.



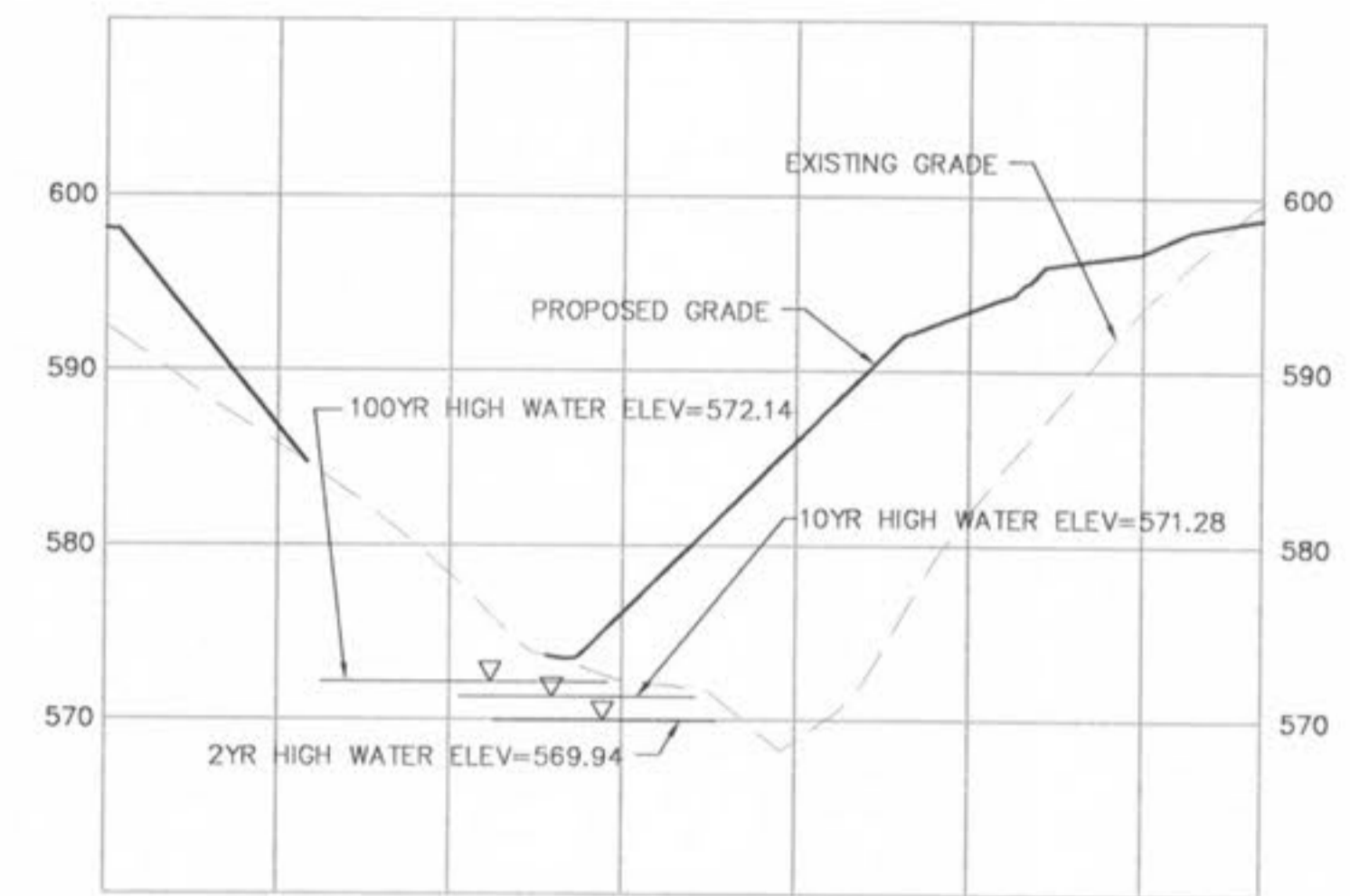
2 CONCRETE SWALE DETAIL
SCALE: N.T.S. REF. DWG.



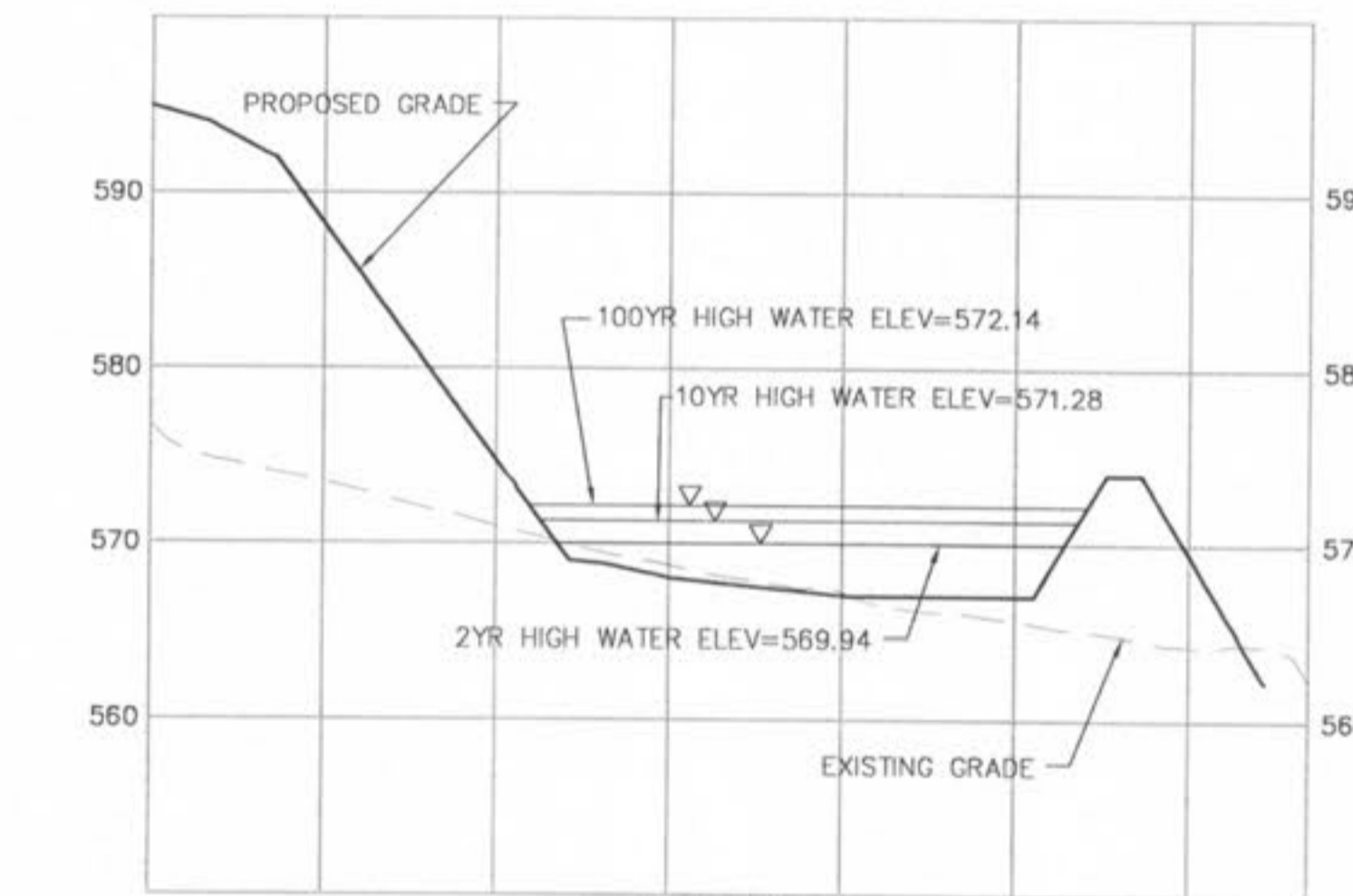
3 DOWEL DETAIL
SCALE: N.T.S. REF. DWG.



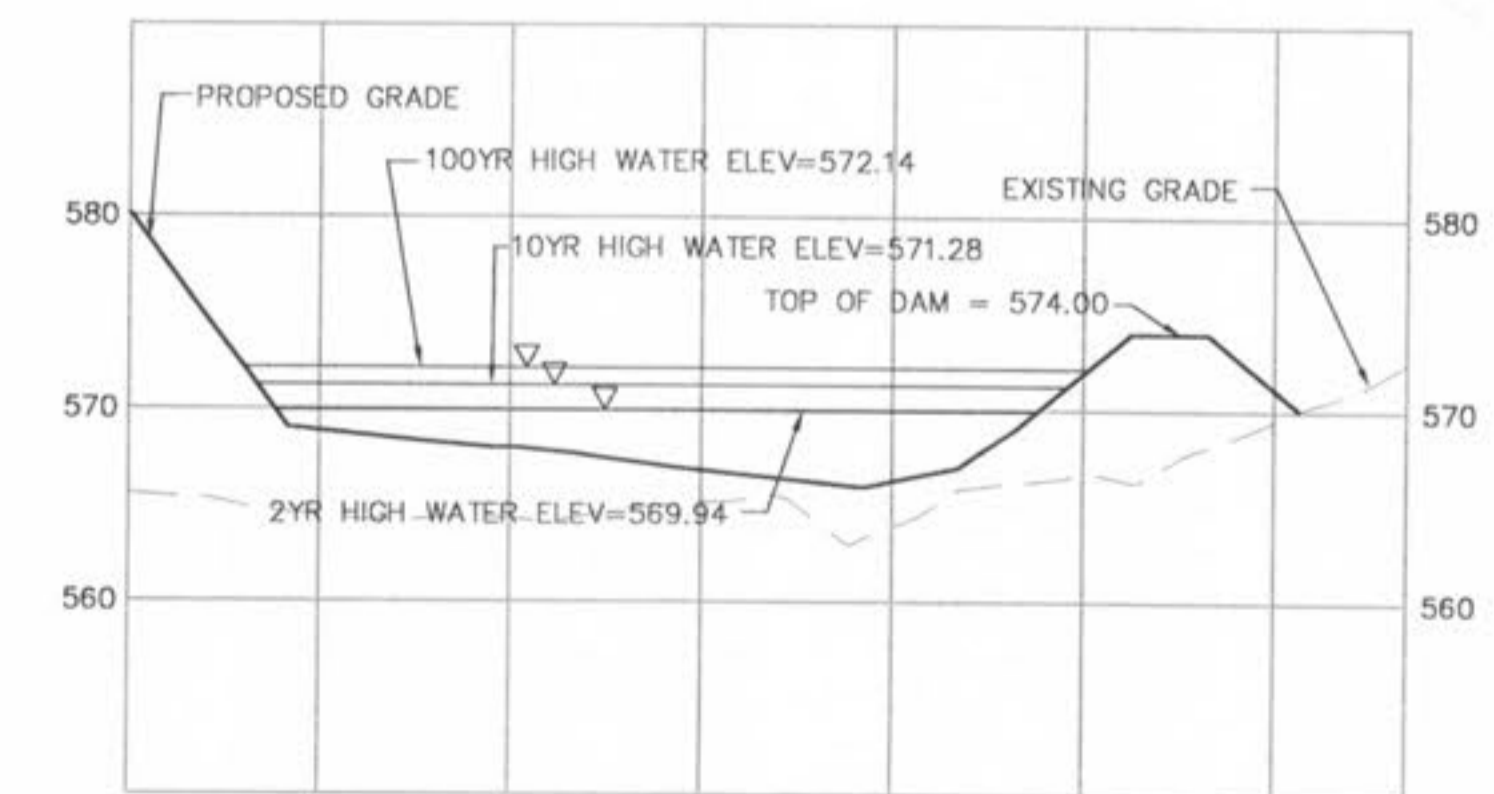
4 TRASH RACK DETAIL
SCALE: N.T.S. REF. DWG.



BASIN B SECTION X-X



BASIN B SECTION Y-Y



BASIN B SECTION Z-Z

SEE SHEET C11.1 FOR CROSS SECTION LOCATIONS

PHASE 2B

NOTE: THE DETAILS SHOWN HEREIN ARE FOR THE PURPOSE OF PRIVATE CONSTRUCTION ONLY. PUBLIC CONSTRUCTION WILL REQUIRE STRICT ADHERENCE TO THE DETAILS PUBLISHED BY DUCKETT CREEK AND ST. CHARLES COUNTY.

REVISIONS DATE: 8/14/07 BY: JKH DESCRIPTION: OWNER COMMENTS DATE: 9/14/07 BY: JKH DESCRIPTION: OWNER COMMENTS DATE: 10/22/07 BY: JKH DESCRIPTION: CITY OF FALLON COMMENTS DATE: 10/23/07 BY: JKH DESCRIPTION: CITY OF FALLON COMMENTS	
DEVELOPER/OWNER: THE JONES COMPANY HOMES, L.L.C. 16640 CHESTERFIELD GROVE, SUITE 200 CHESTERFIELD, MO 63005 PHONE: (636) 537-7192	
THE PROFESSIONAL ENGINEER HAS ASSUMED THE PERSONAL AND PROFESSIONAL RESPONSIBILITY FOR ALL OTHER PLANS, SPECIFICATIONS AND NOTATIONS ON THIS SET. ALL PLANS AND SPECIFICATIONS ARE THE PROPERTY OF THE ENGINEER AND WILL BE RETURNED TO THE ENGINEER UPON COMPLETION OF THE PROJECT. NO PART OF THIS PROJECT IS TO BE REPRODUCED OR TRANSMITTED IN ANY FORM OR BY ANY MEANS, ELECTRONIC OR MECHANICAL, INCLUDING PHOTOCOPYING, RECORDING, OR BY ANY INFORMATION STORAGE AND RETRIEVAL SYSTEM, WITHOUT THE WRITTEN PERMISSION OF THE ENGINEER.	
SEAL: JOHN F. HUBBARD REGISTERED PROFESSIONAL ENGINEER STATE OF MISSOURI E-23716	
PRESTON WOODS - PHASE II IMPROVEMENT PLANS PRESTON WOODS LANE O'FALLON, MO. 63366	
COLE and ASSOCIATES INCORPORATED 10777 sunset office dr. saint louis, missouri 63127 p. 314.984.9887 f. 314.984.0857	
DESIGNED BY: JKW DRAWN BY: KDK CHECKED BY: JFH DATE: 6/14/07 Job Number: 07-0041 Sheet Number: C10.8	

USER: Mchick1 TMS: DETENTION DETAIL 10.B
 DATE: Oct 21, 2007 12:12:12
 DRAWING: S:\0851\08510071\07-0041\07-0041_Plan_C10.DETAILS.dwg