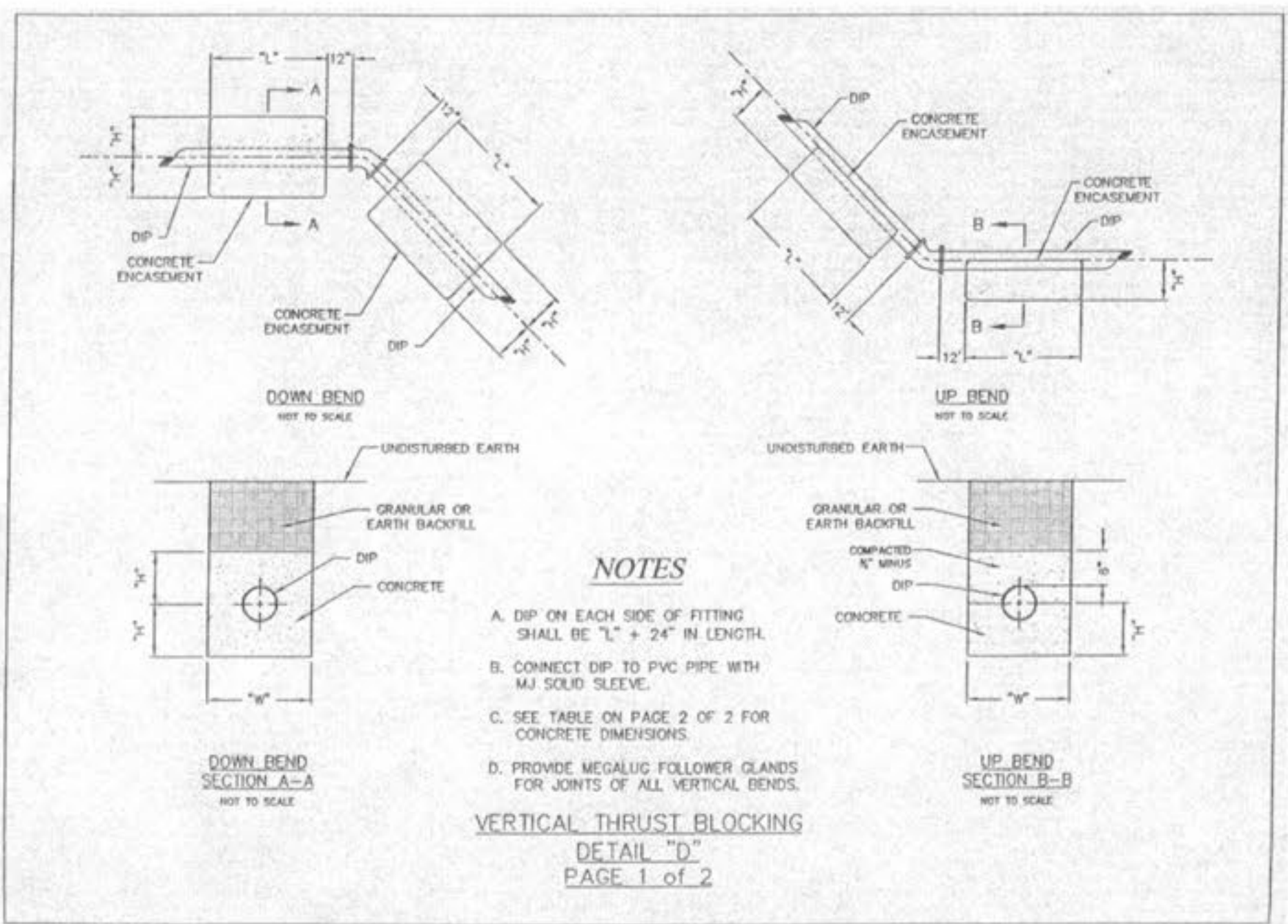


THRUST BLOCK DIMENSIONS - INCHES

PIPE DIA.	ALL FTGS.		TEE PLUG TAPPING		90 DEGREE BEND		45 DEGREE BEND		22-1/2 BEND		11-1/4 BEND	
	A	B	C	H	C	H	C	H	C	H	C	H
4	14	4	24	12	28	15	18	12	12	12	12	12
6	16	6	36	18	36	24	30	18	24	12	12	12
8	20	8	36	30	42	36	36	24	24	16	16	12
10	20	10	48	36	66	36	36	36	28	24	18	18
12	24	12	68	36	82	42	62	36	40	24	28	18

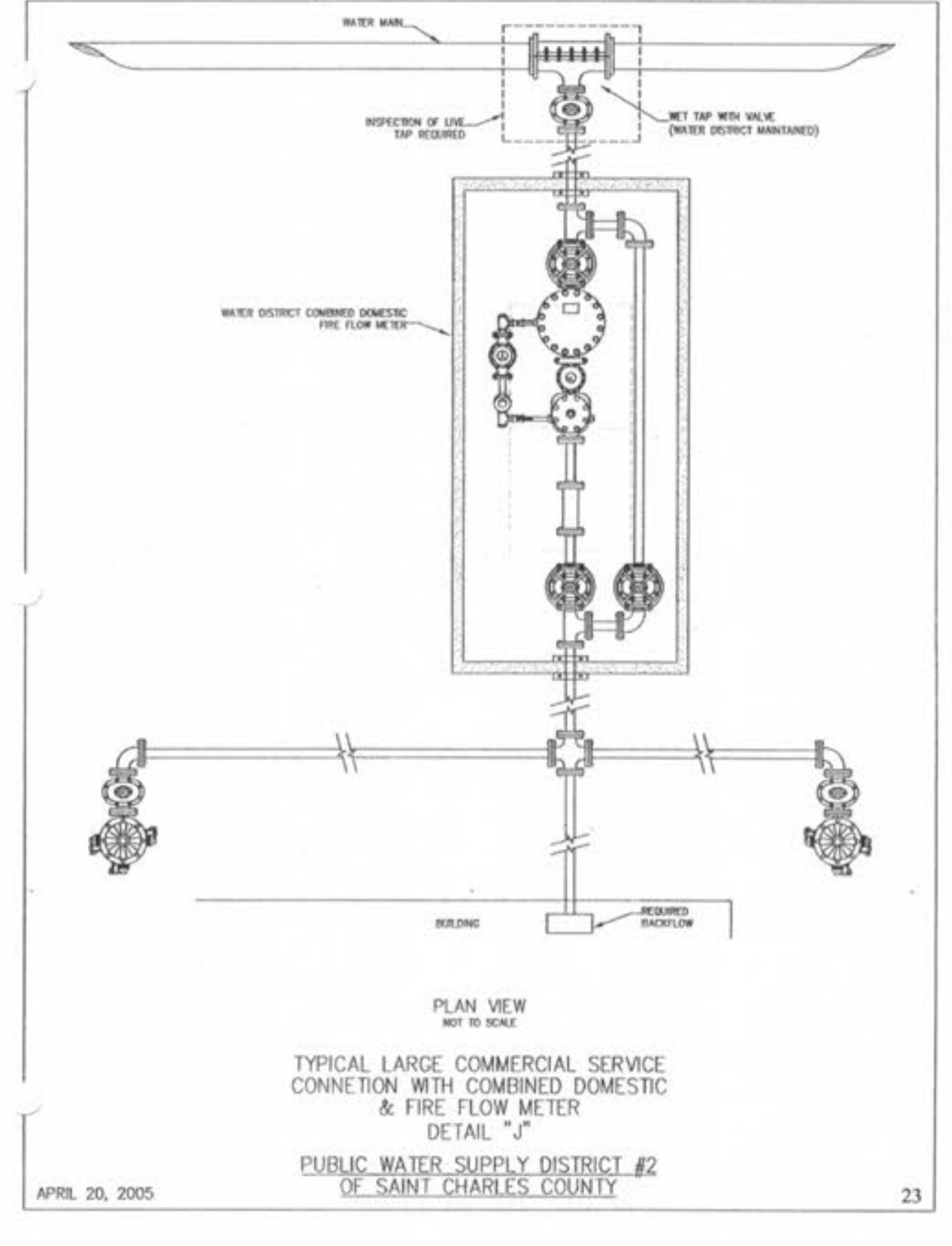
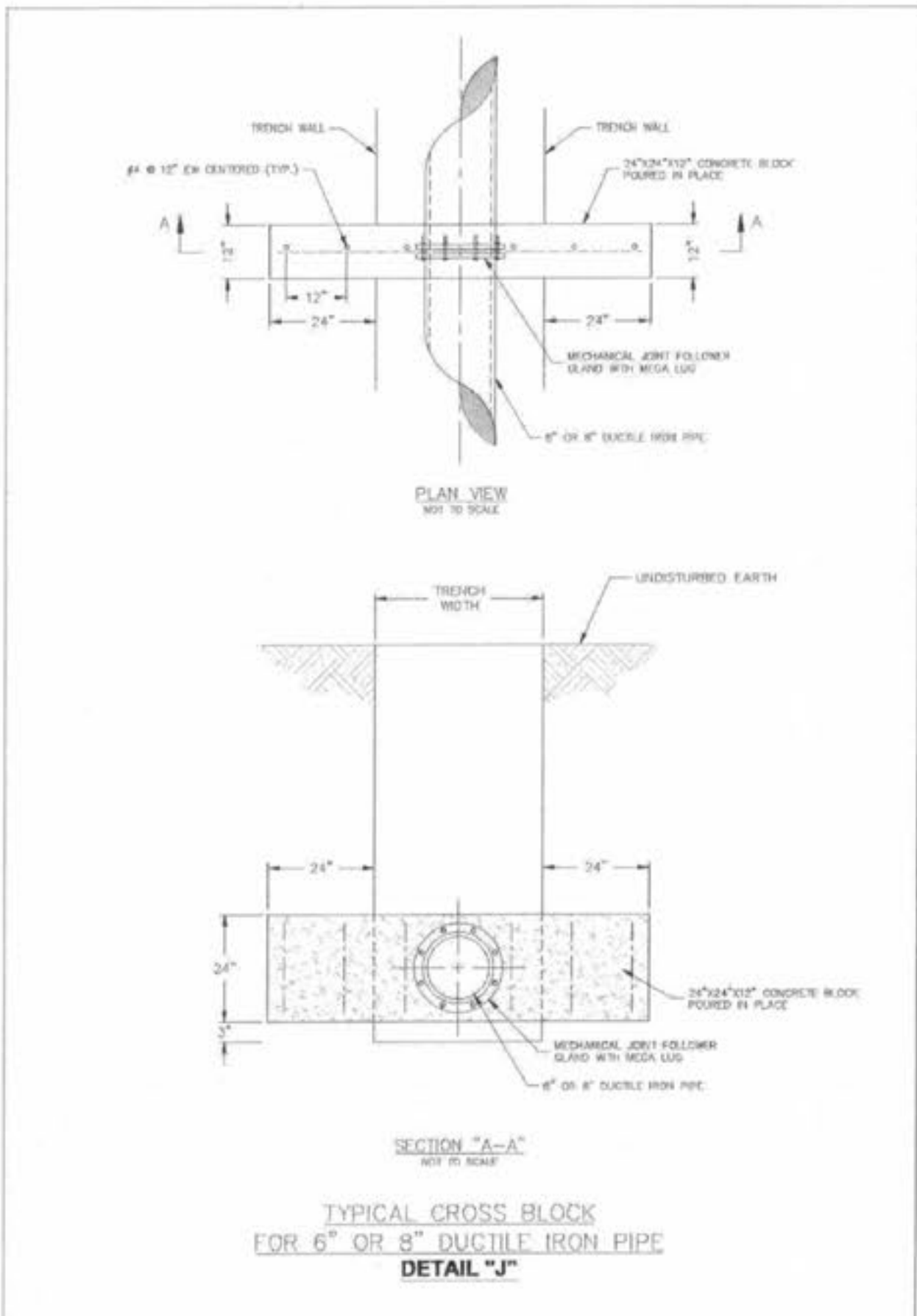
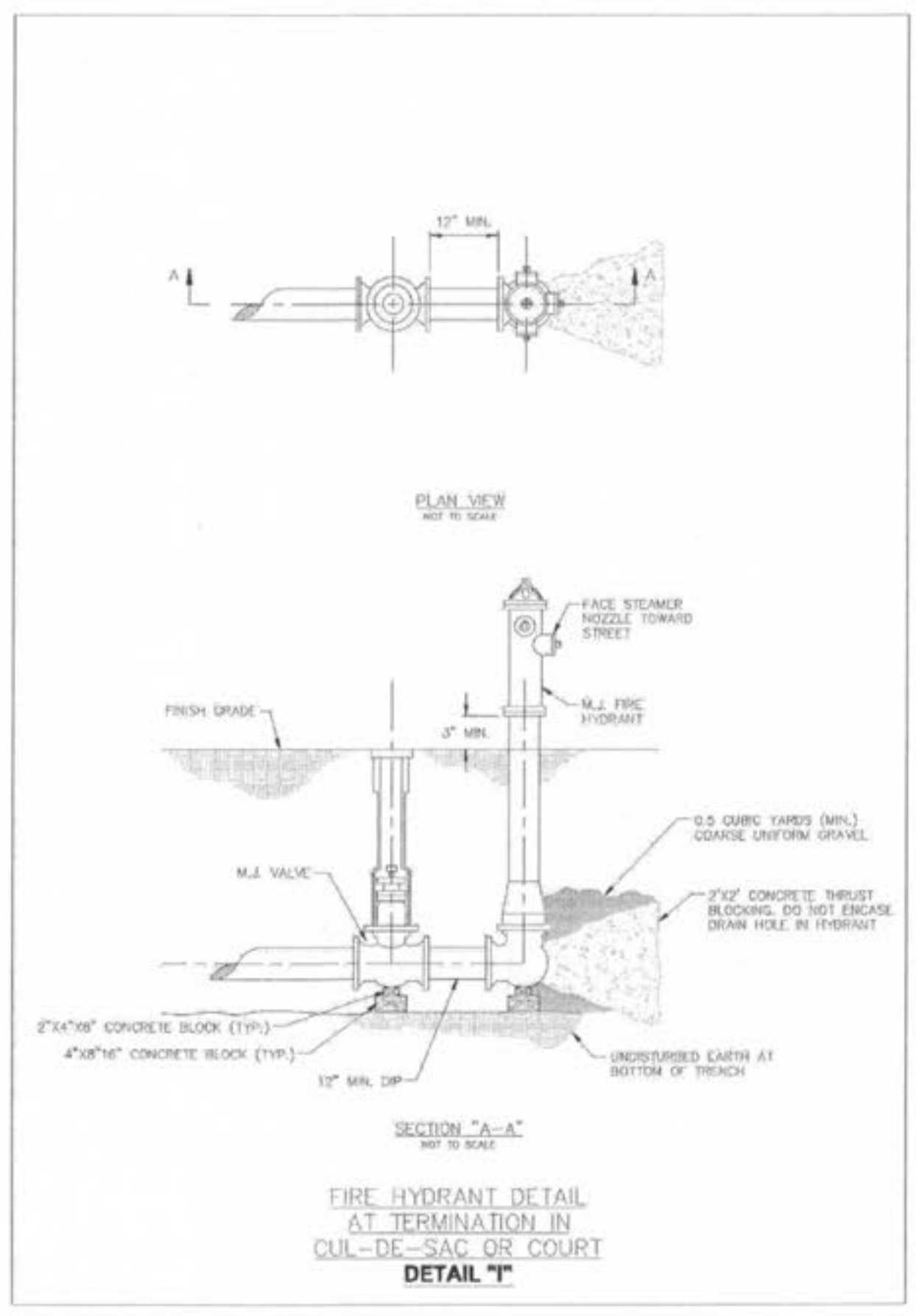
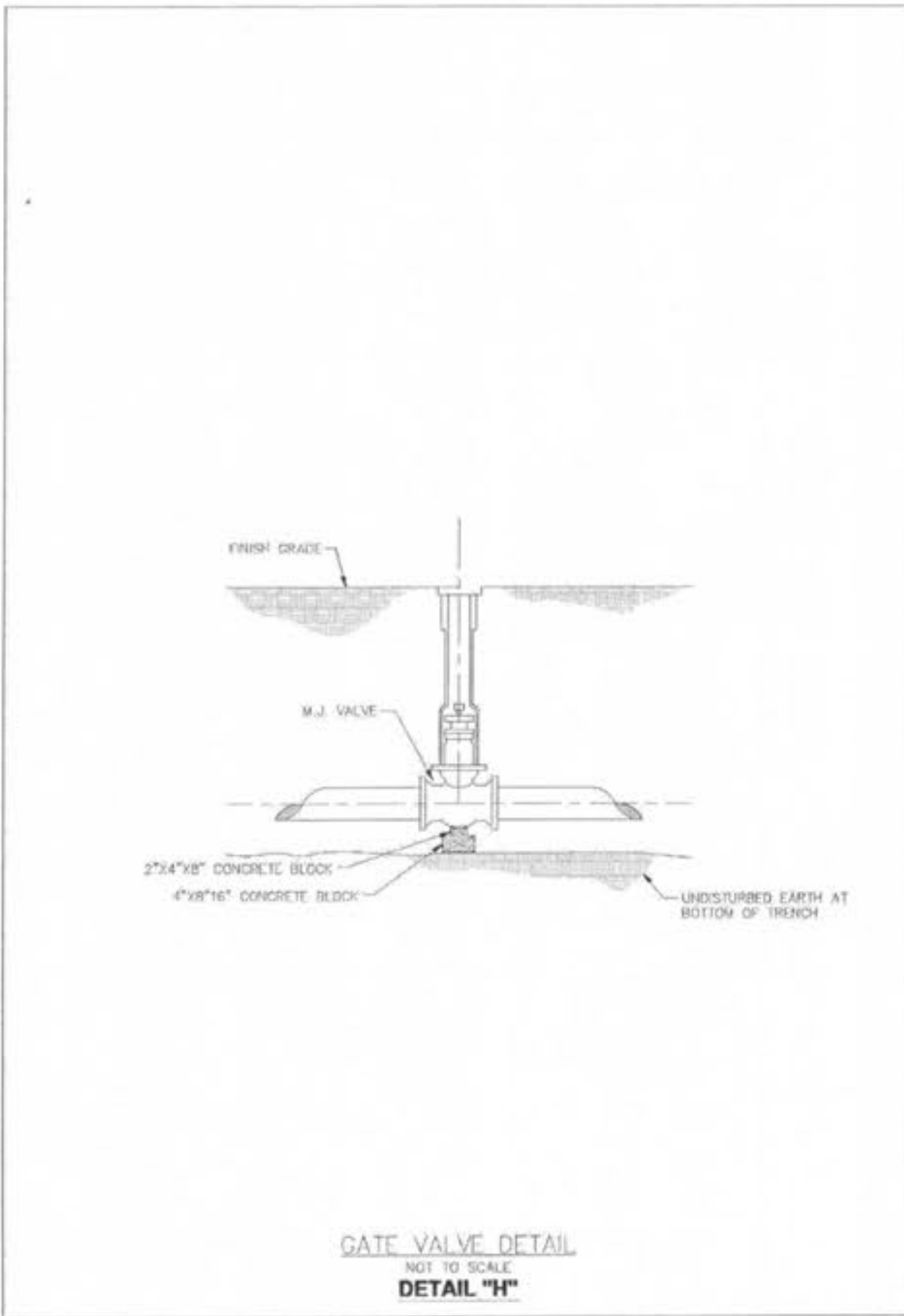
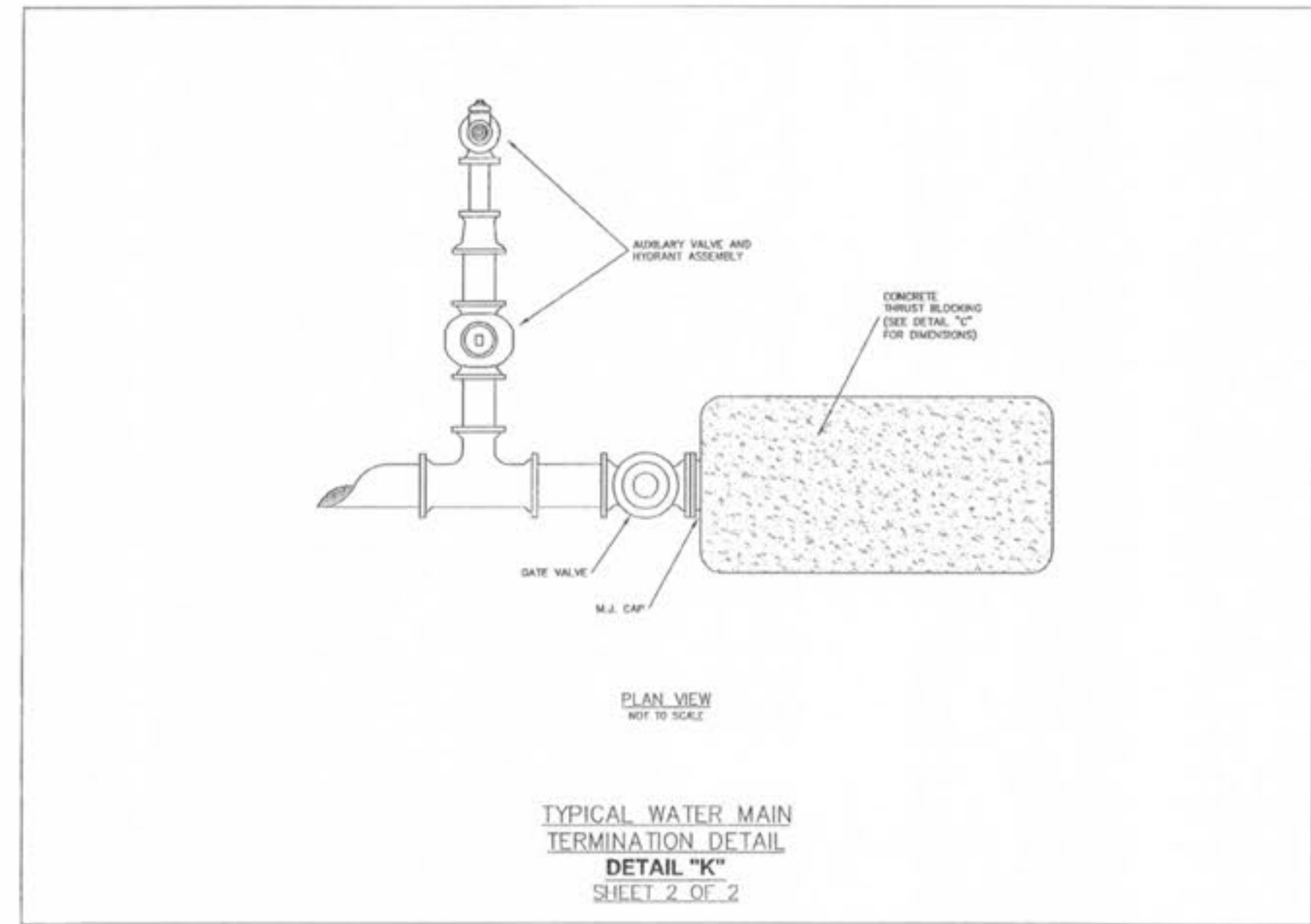
HORIZONTAL THRUST BLOCKING
DETAIL "C"



PIPE SIZE DEGREE BEND

PIPE SIZE	DEGREE BEND	DOWN BENDS			UP BENDS		
		W	H	L	W	H	L
4"	11 1/4"	18	12	18	12	12	12
	22 1/2"	18	18	24	12	12	12
	45°	18	18	30	12	12	18
6"	11 1/4"	24	18	18	12	12	12
	22 1/2"	24	18	24	12	12	12
	45°	24	18	48	12	12	18
8"	11 1/4"	24	18	24	12	12	18
	22 1/2"	24	18	42	12	12	24
	45°	24	18	48	18	12	24
10"	11 1/4"	30	24	24	18	18	18
	22 1/2"	30	24	42	18	18	24
	45°	30	24	72	18	18	36
12"	11 1/4"	30	24	30	18	18	18
	22 1/2"	30	24	64	18	18	30
	45°	30	36	72	24	18	36

DIMENSIONS FOR VERTICAL BENDS
(IN INCHES)
DETAIL "D"
PAGE 2 of 2



USER: M:\proj\TAR: WATER DETAIL 10.13
DATE: Oct 23, 2007 - 12:15pm
DRAWING: S:\DBS\proj\2007\07-0041\c07-0041\imp\IMPROVEMENT PLANS PHASE 2\0_Plan_C10.13_DETAILS.dwg

REVISIONS

NO.	DATE	DESCRIPTION
1	8/14/07	ISSUE PER PHASE II/ DUCRETT CREEK PLANS #2
2	9/14/07	OWNER COMMENTS
3	9/14/07	DUCKETT CREEK SANITARY DISTRICT
4	10/22/07	CITY OF FALLON COMMENTS
5	11/19/07	CITY OF FALLON COMMENTS
6	12/25/07	CITY OF FALLON COMMENTS

DEVELOPER/OWNER:
THE JONES COMPANY HOMES, L.L.C.
16640 CHESTERFIELD GROVE, SUITE 200
CHESTERFIELD, MO 63005
PHONE: (636) 537-7192

DESIGNER: JAMES COLE ARCHITECTURE AND ASSOCIATES, INC.
10777 SUNSET OFFICE DR.
SAINT LOUIS, MISSOURI 63127
P: 314 984 9887 F: 314 984 0587

PROFESSIONAL SEAL: JAMES COLE ARCHITECTURE AND ASSOCIATES, INC. E-29116

PRESTON WOODS - PHASE II
IMPROVEMENT PLANS
PRESTON WOODS LANE
OF FALLON, MO. 63366
WATER DETAILS

planning • engineering • surveying • landscape architecture
Cole and ASSOCIATES INCORPORATED
10777 sunset office dr.
saint louis, missouri 63127
p: 314 984 9887 f: 314 984 0587

DESIGNED BY: JKW
DRAWN BY: KDK
CHECKED BY: JFH
DATE: 6/14/07
Job Number: 07-0041
Sheet Number: C10.13