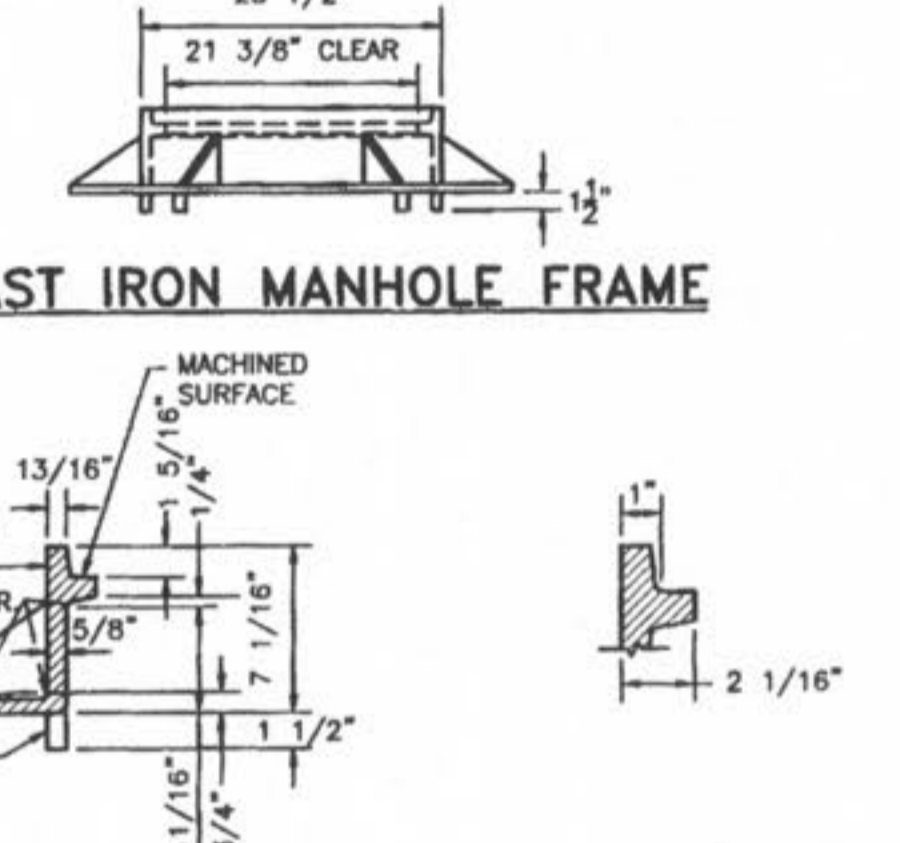
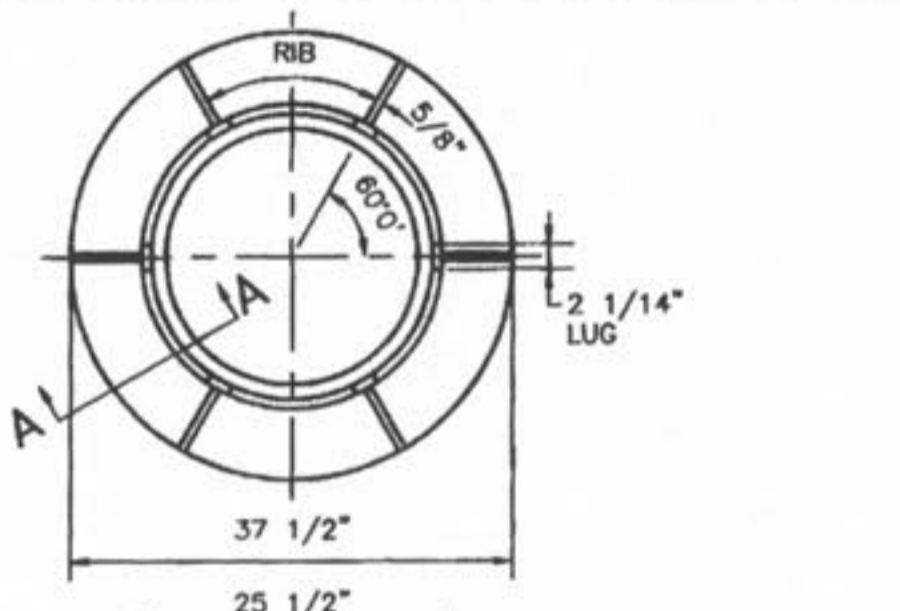


NOTE: ALL INVERTS SHALL HAVE POSITIVE DRAINAGE THROUGH MANHOLE.

Duckett Creek Sanitary District

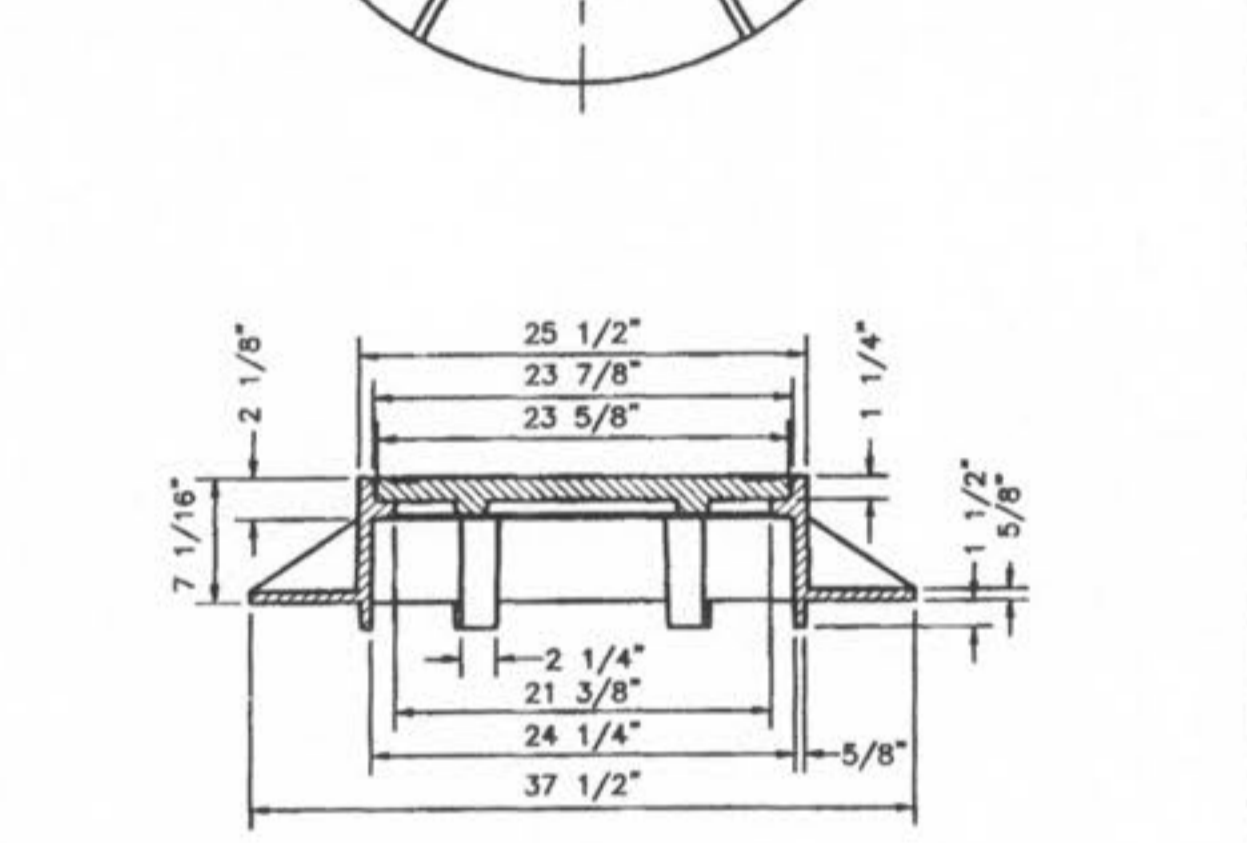
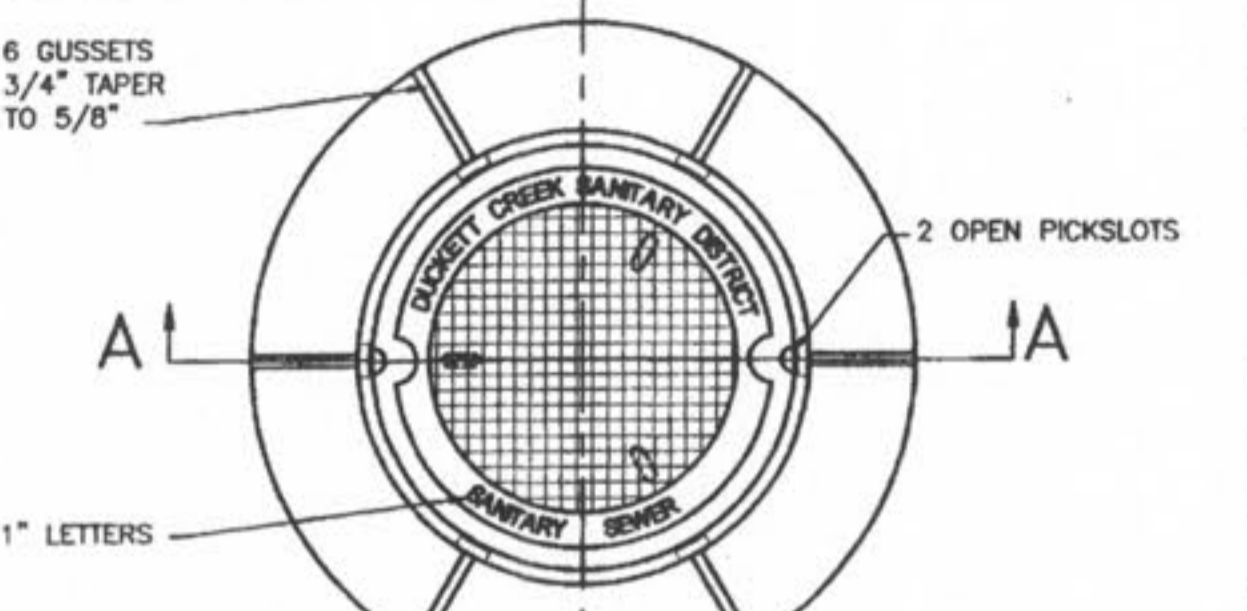
INSIDE DROP MANHOLE	Dim By: BSM	App By: KLA	Detail No. 10
	Chg By: MDOB	Date: 01-10-00	



SECTION A-A (230 lbs)

Duckett Creek Sanitary District

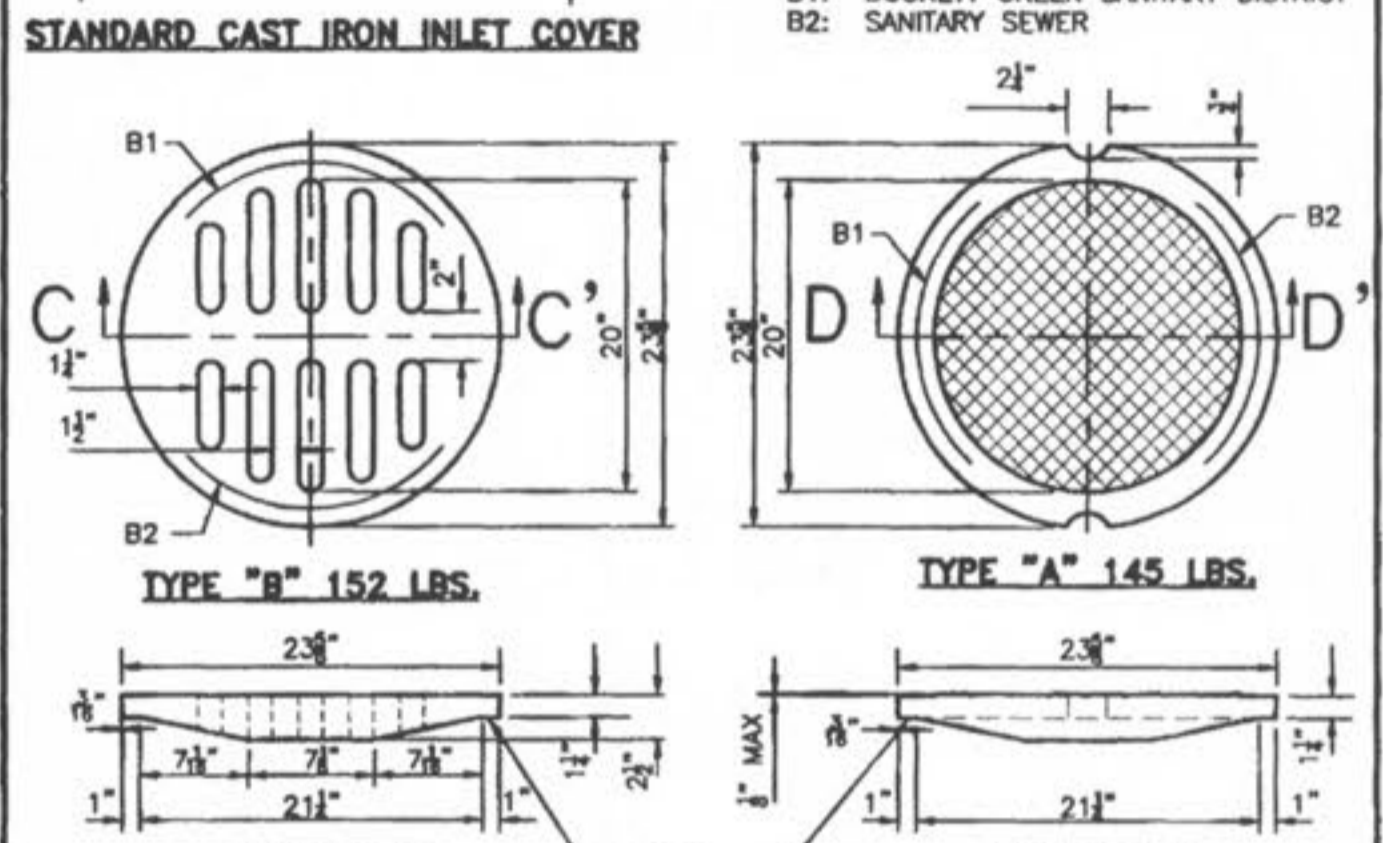
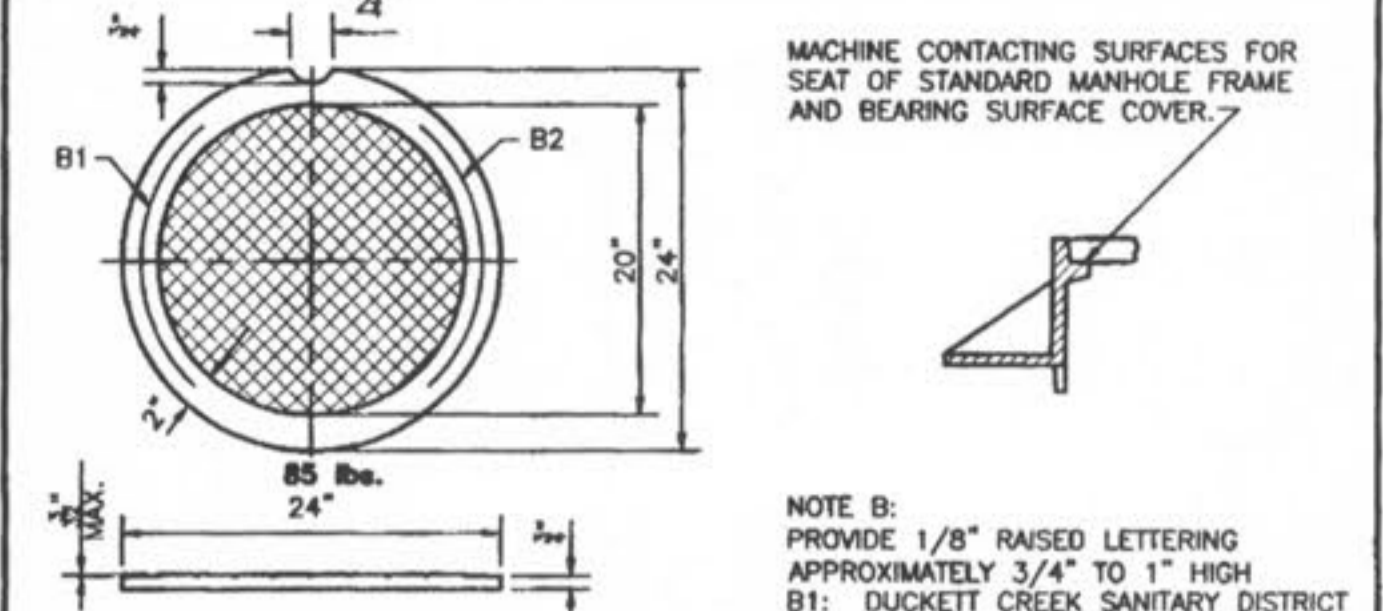
CAST IRON MANHOLE FRAME	Dim By: BSM	App By: KLA	Detail No. 11
	Chg By: MDOB	Date: 01-14-00	



SECTION A-A

Duckett Creek Sanitary District

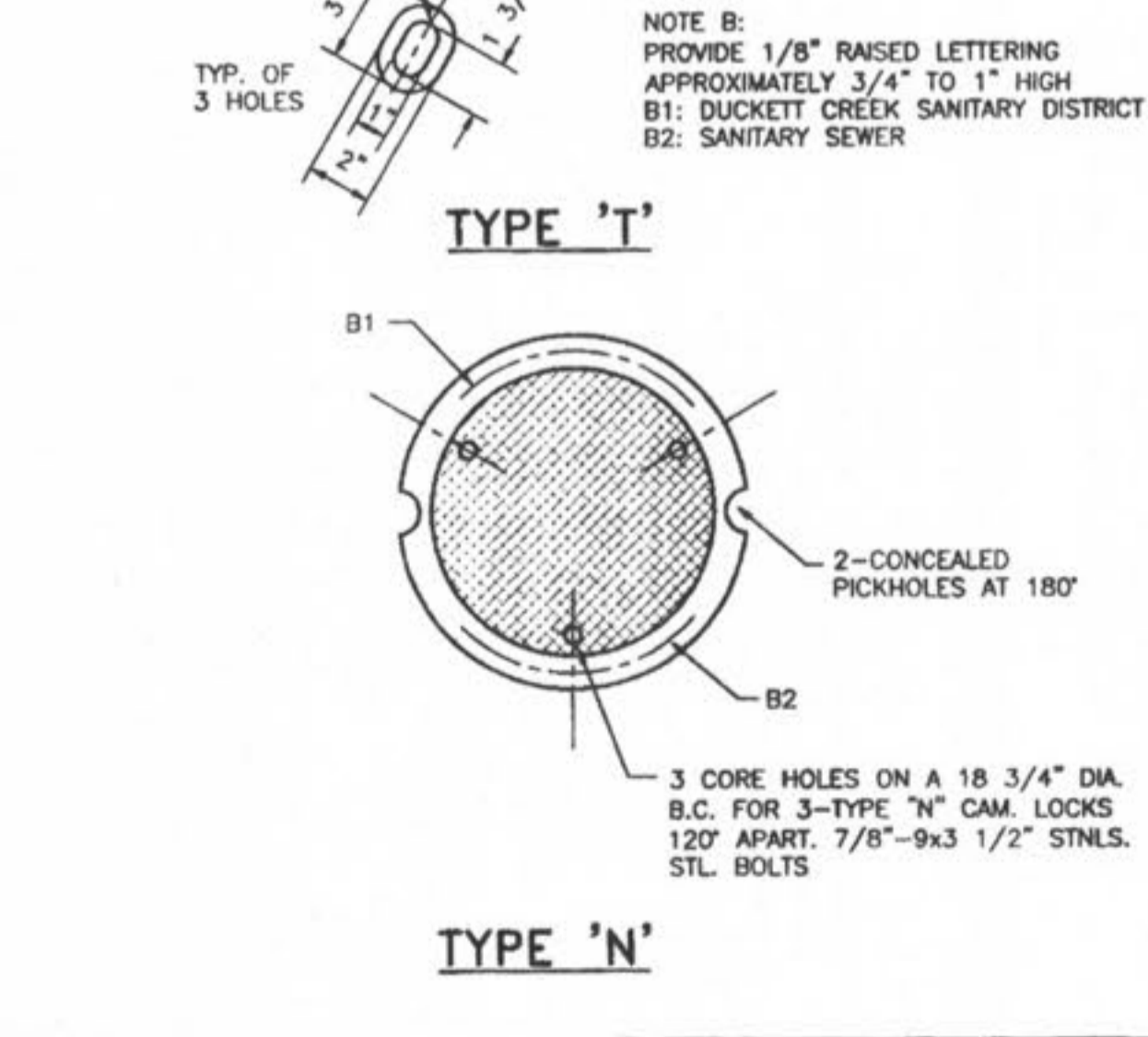
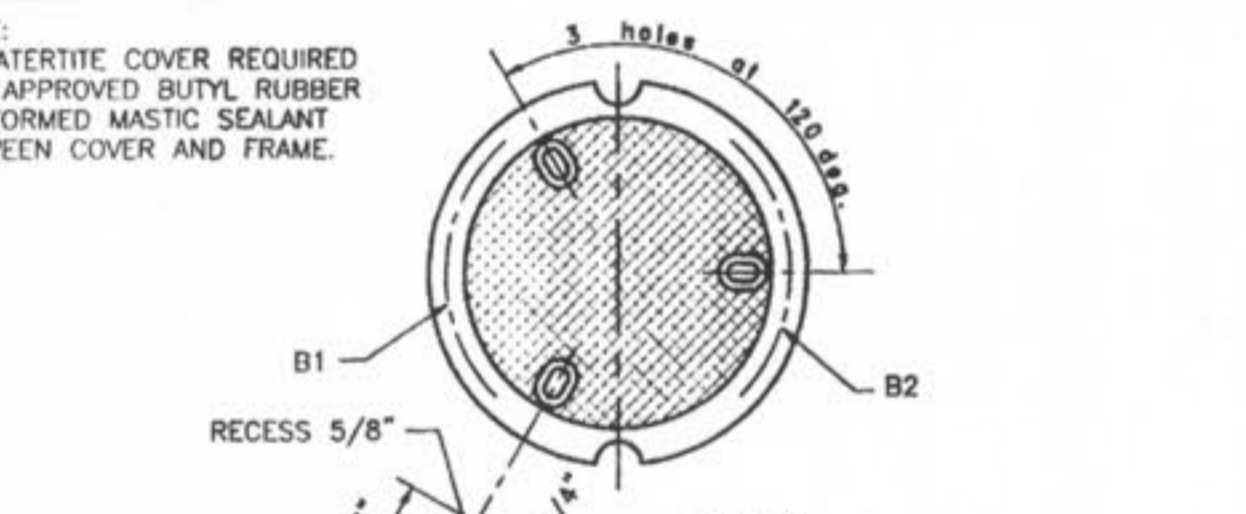
MANHOLE FRAME AND COVER	Dim By: BSM	App By: KLA	Detail No. 12
	Chg By: MDOB	Date: 01-14-00	



STANDARD CAST IRON MANHOLE COVERS

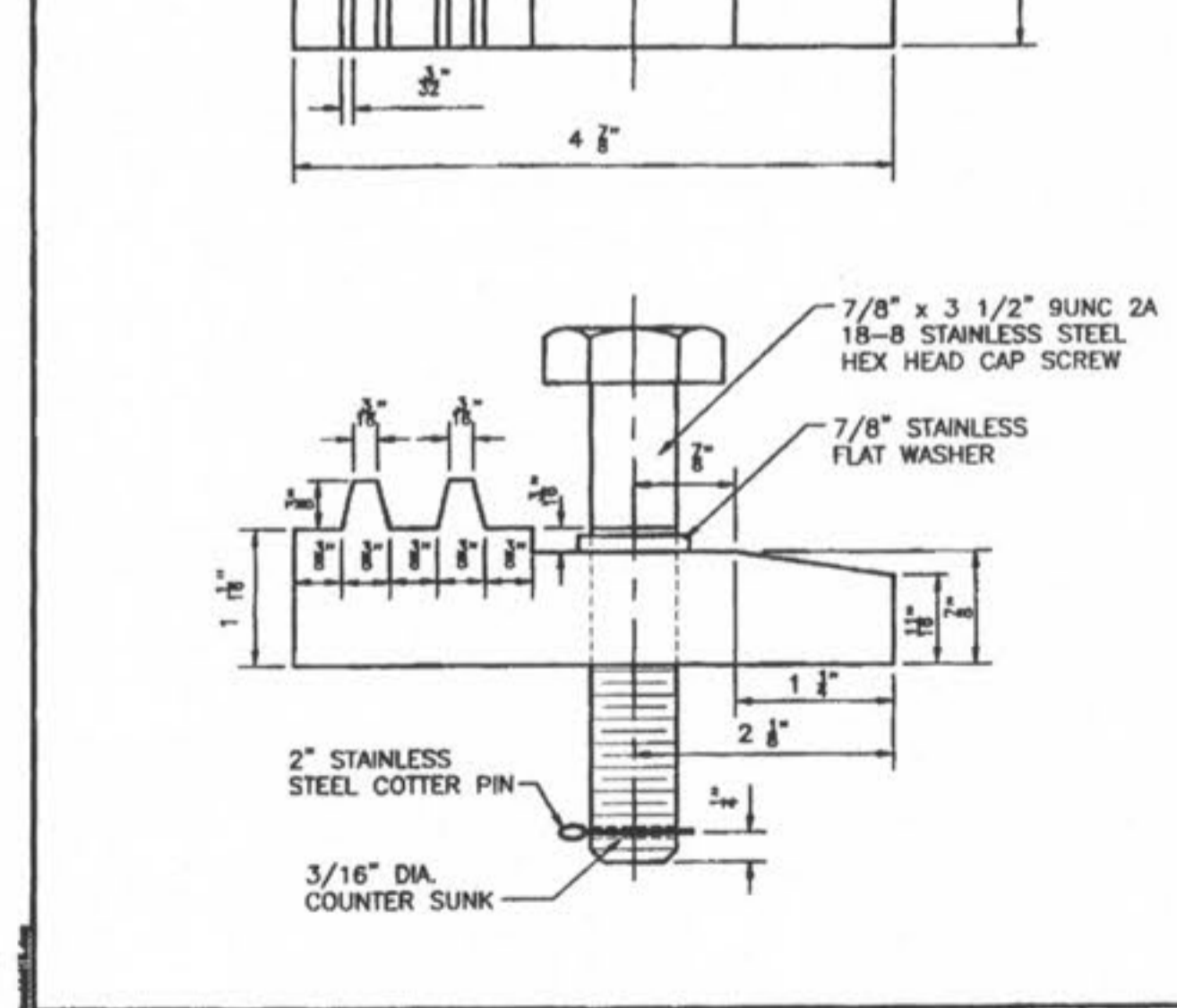
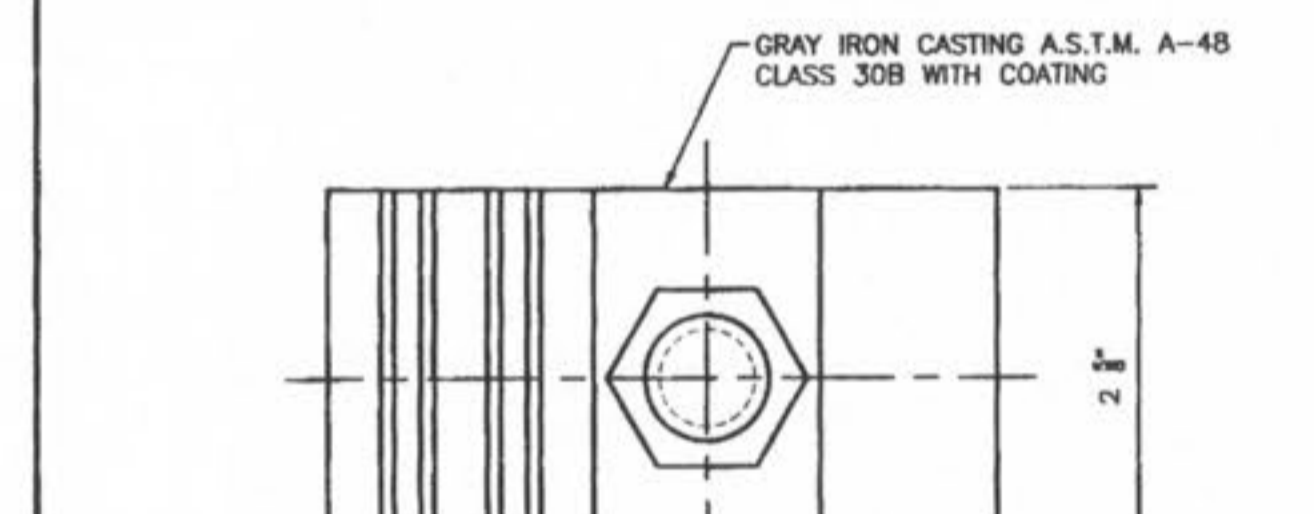
Duckett Creek Sanitary District

CAST IRON COVERS MANHOLES AND INLETS	Dim By: BSM	App By: KLA	Detail No. 13
	Chg By: MDOB	Date: 12-22-00	



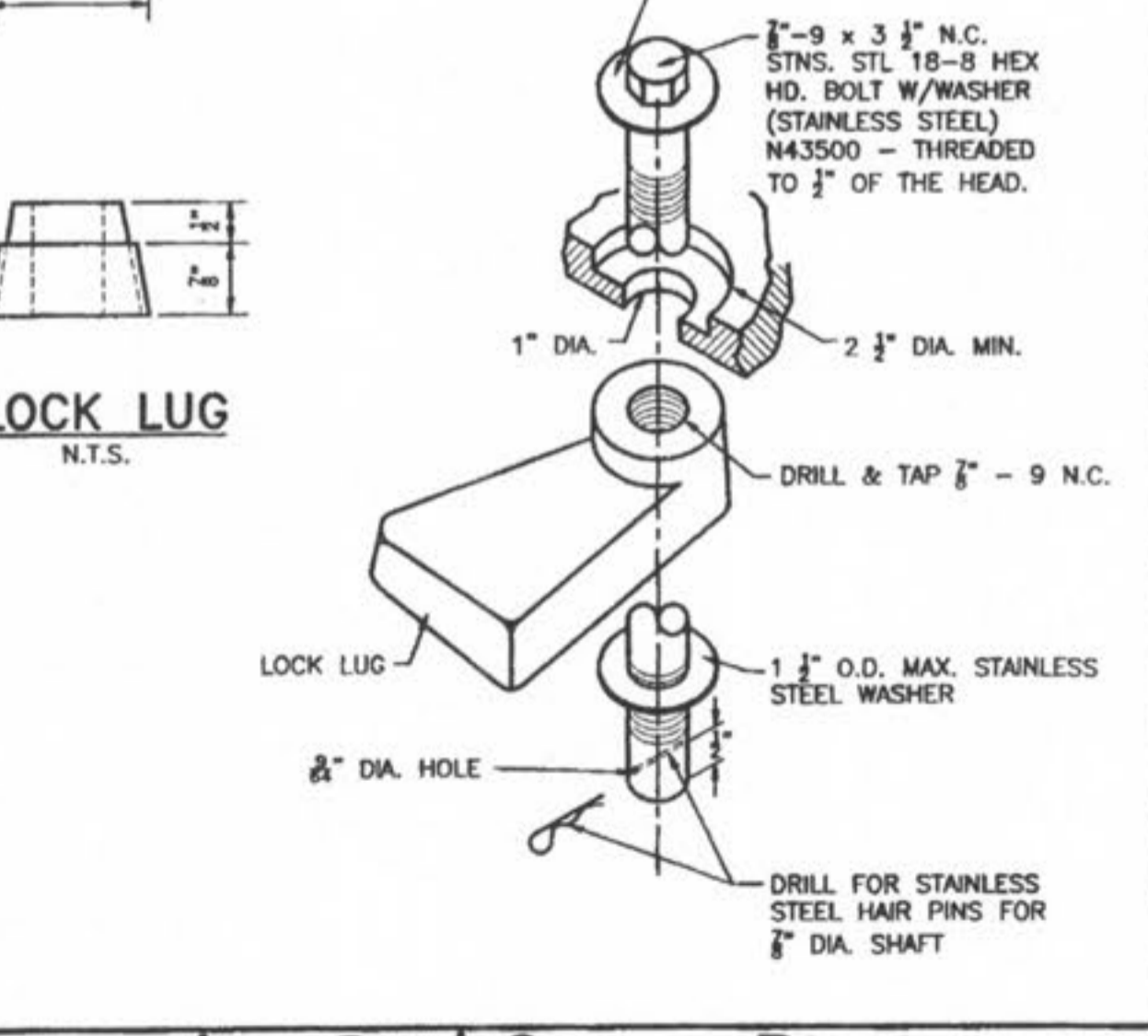
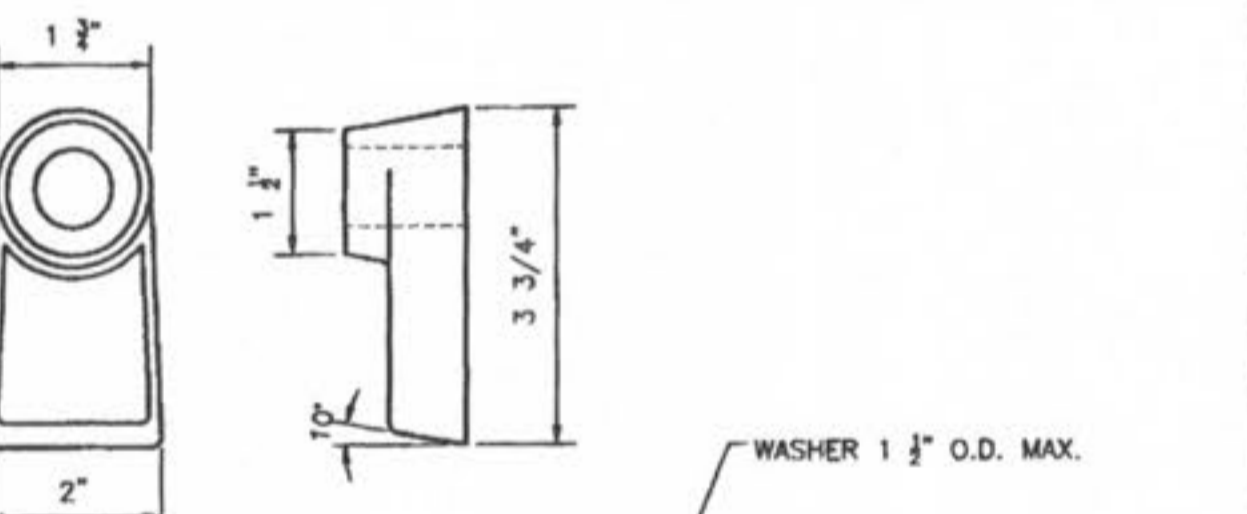
Duckett Creek Sanitary District

CAST IRON MANHOLE COVERS (LOCK TYPE)	Dim By: BSM	App By: KLA	Detail No. 14
	Chg By: MDOB	Date: 12-27-00	



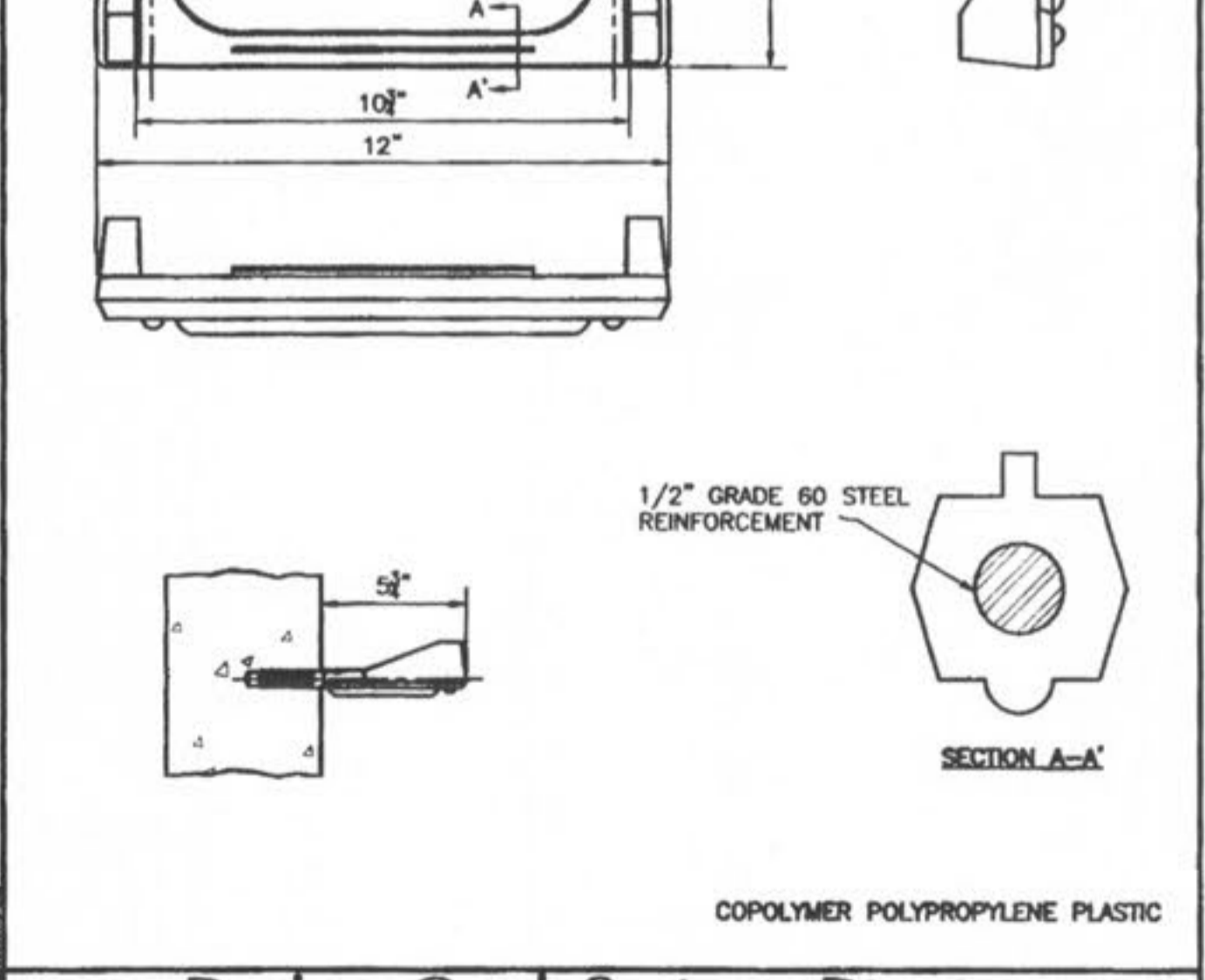
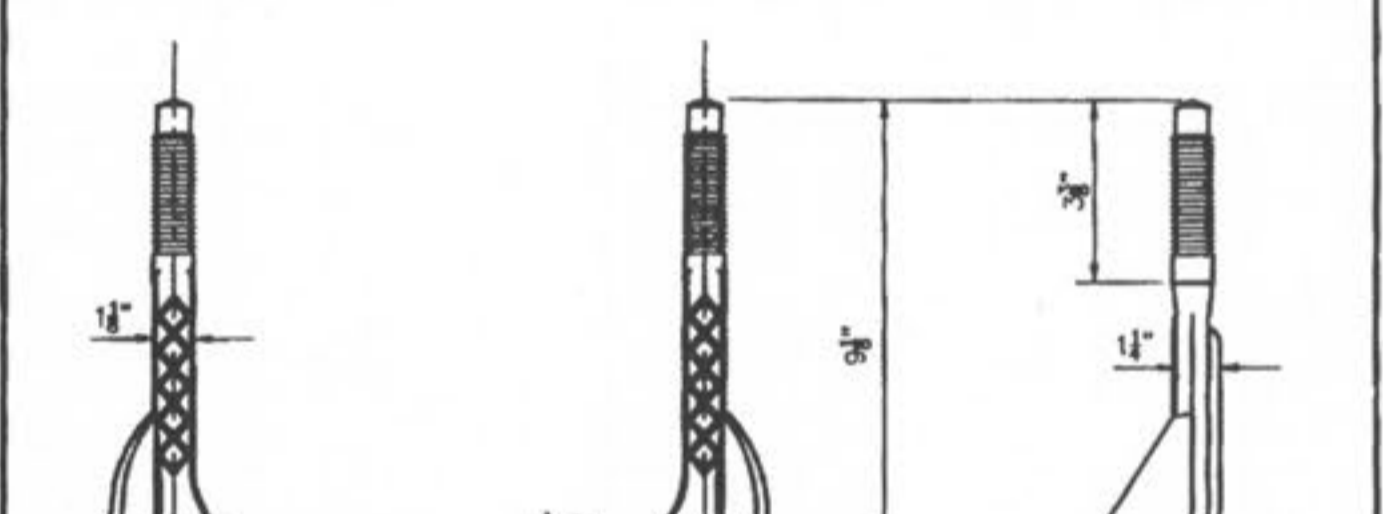
Duckett Creek Sanitary District

MANHOLE STEP PRECAST MANHOLE	Dim By: BSM	App By: KLA	Detail No. 18
	Chg By: MDOB	Date: 1-3-01	



Duckett Creek Sanitary District

LOCKING DEVICE FOR TYPE "N" LOCK TYPE MANHOLE COVER	Dim By: BSM	App By: KLA	Detail No. 16
	Chg By: MDOB	Date: 12-28-00	



Duckett Creek Sanitary District

MANHOLE STEP PRECAST MANHOLE	Dim By: BSM	App By: KLA	Detail No. 18
	Chg By: MDOB	Date: 1-3-01	

REVISIONS

NO.	DATE	DESCRIPTION
1	4/1/08	CITY PAPER & DUCKETT CREEK COMMENTS
2	4/1/08	CITY COMMENTS
3	5/1/08	CITY COMMENTS

DEVELOPER/OWNER:
THE JONES COMPANY HOMES, L.L.C.
16640 CHESTERFIELD GROVE, SUITE 200
CHESTERFIELD, MO 63005
PHONE: (636) 537-7192



PRESTON WOODS - PHASE III
IMPROVEMENT PLANS
PRESTON WOODS, LANE
OF FALLON, MO. 65566
SANITARY SEWER DETAILS

planning • engineering • surveying • landscape architecture
Cole and Associates
INCORPORATED
10777 sunset office dr.
saint louis missouri 63127
p: 314 984 9887 f: 314 984 0587

DESIGNED BY: JKW
DRAWN BY: KDK
CHECKED BY: JFH
DATE: 12/19/07
Job Number: 07-0178
Sheet Number: C9.2

NOTE: THE DETAILS SHOWN HEREIN ARE FOR THE PURPOSE OF PRIVATE CONSTRUCTION ONLY. PUBLIC CONSTRUCTION WILL REQUIRE STRICT ADHERENCE TO THE DETAILS PUBLISHED BY DUCKETT CREEK AND ST. CHARLES COUNTY.