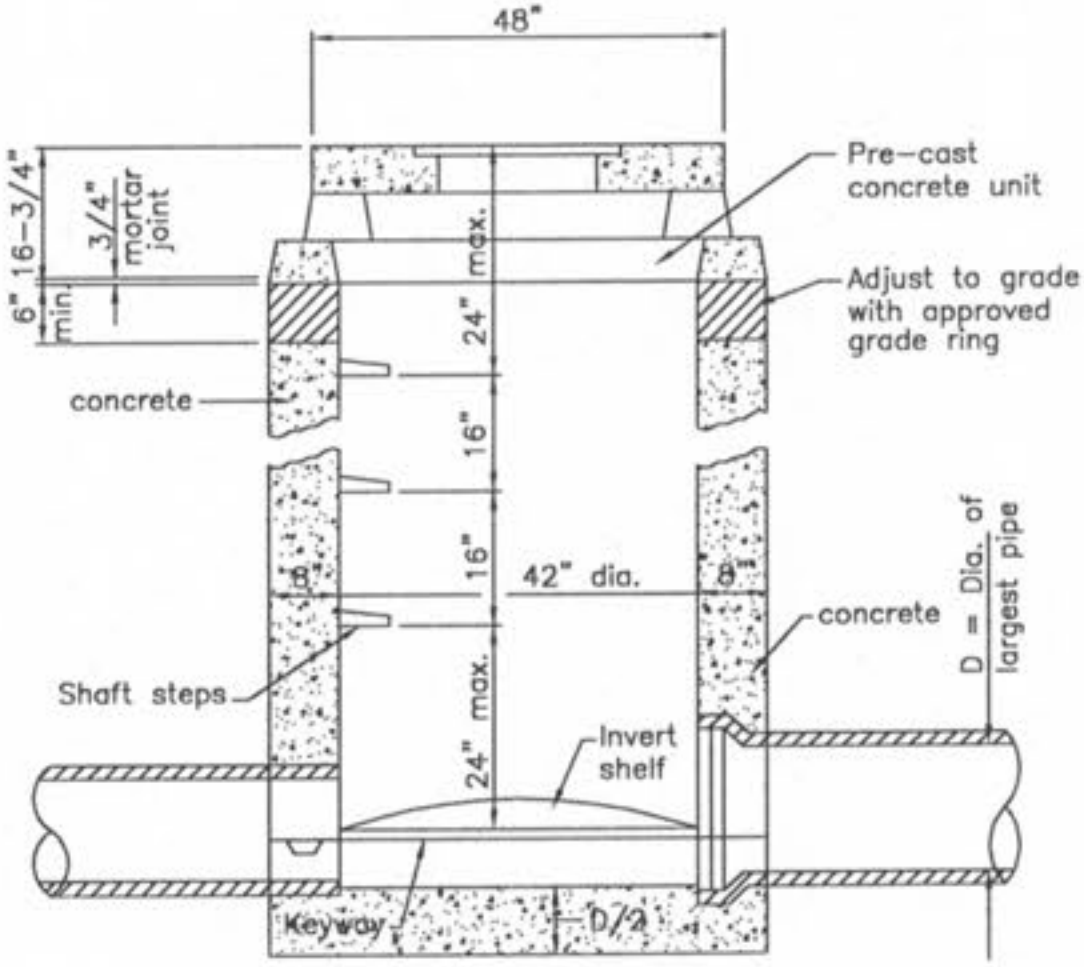
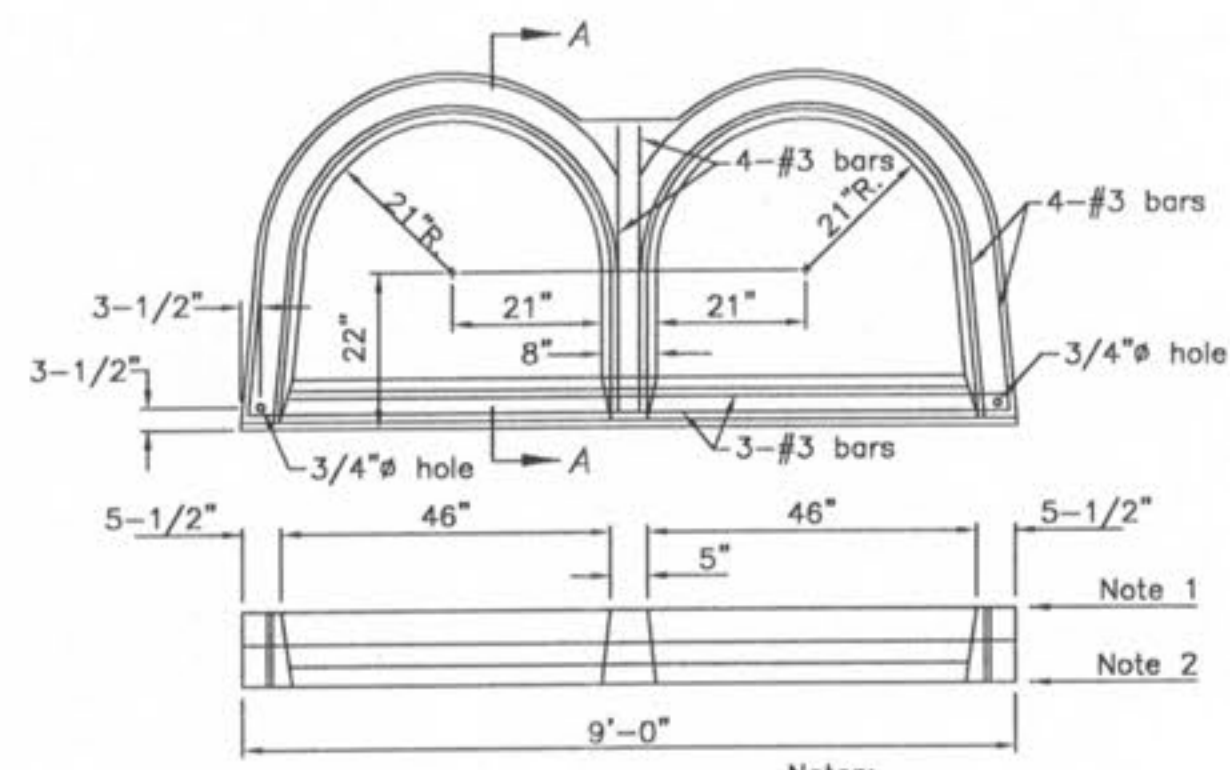


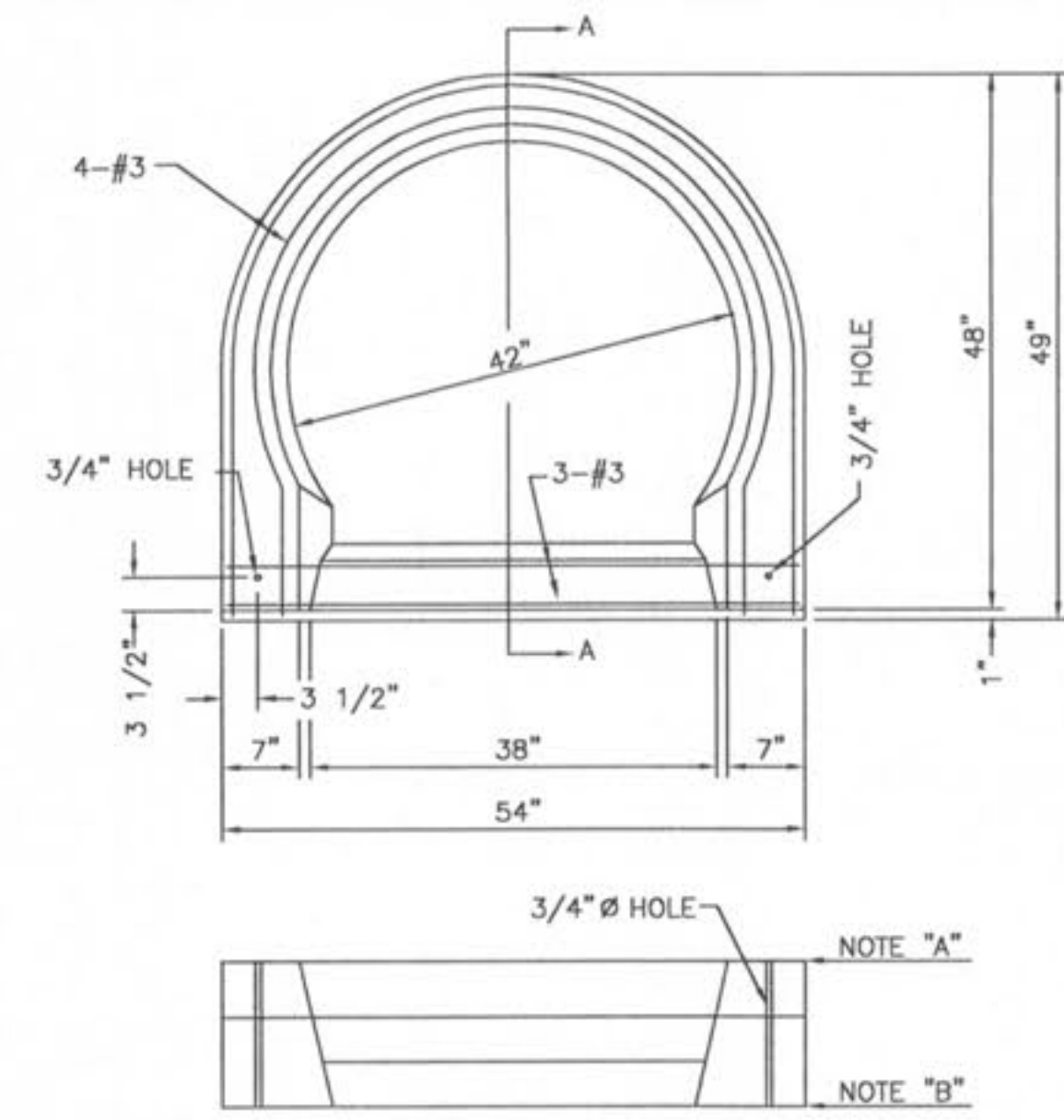
1 PIPE BEDDING CLASS "C" DETAIL
SCALE: N.T.S.



2 AREA INLET
SCALE: N.T.S.



3 DOUBLE CURB INLET
SCALE: N.T.S.



4 SINGLE CURB INLET DETAIL
SCALE: N.T.S.

- Notes:
- Set 2 standard inlet stones in 3/4" mortar bed and dowel with 5/8" 1'-0" long pins and grout
 - Raise to final grade with approved grade ring
 - To be used with poured in-place concrete base.
 - 4000 p.s.i. concrete required.

- NOTES:
- SET STANDARD INLET STONE IN 3/4" MORTAR BED AND DOWEL WITH 5/8" 1'-0" LONG PINS AND GROUT.
 - THIS UNIT TO BE USED WITH 42" I.D., POURED IN PLACE CONCRETE
 - 4000 P.S.I. CONCRETE REQ'D.

PRECAST CONCRETE STORMWATER STRUCTURES

MINIMUM DISTANCE FLOWLINE TO TOP OF STONE OR GRATE

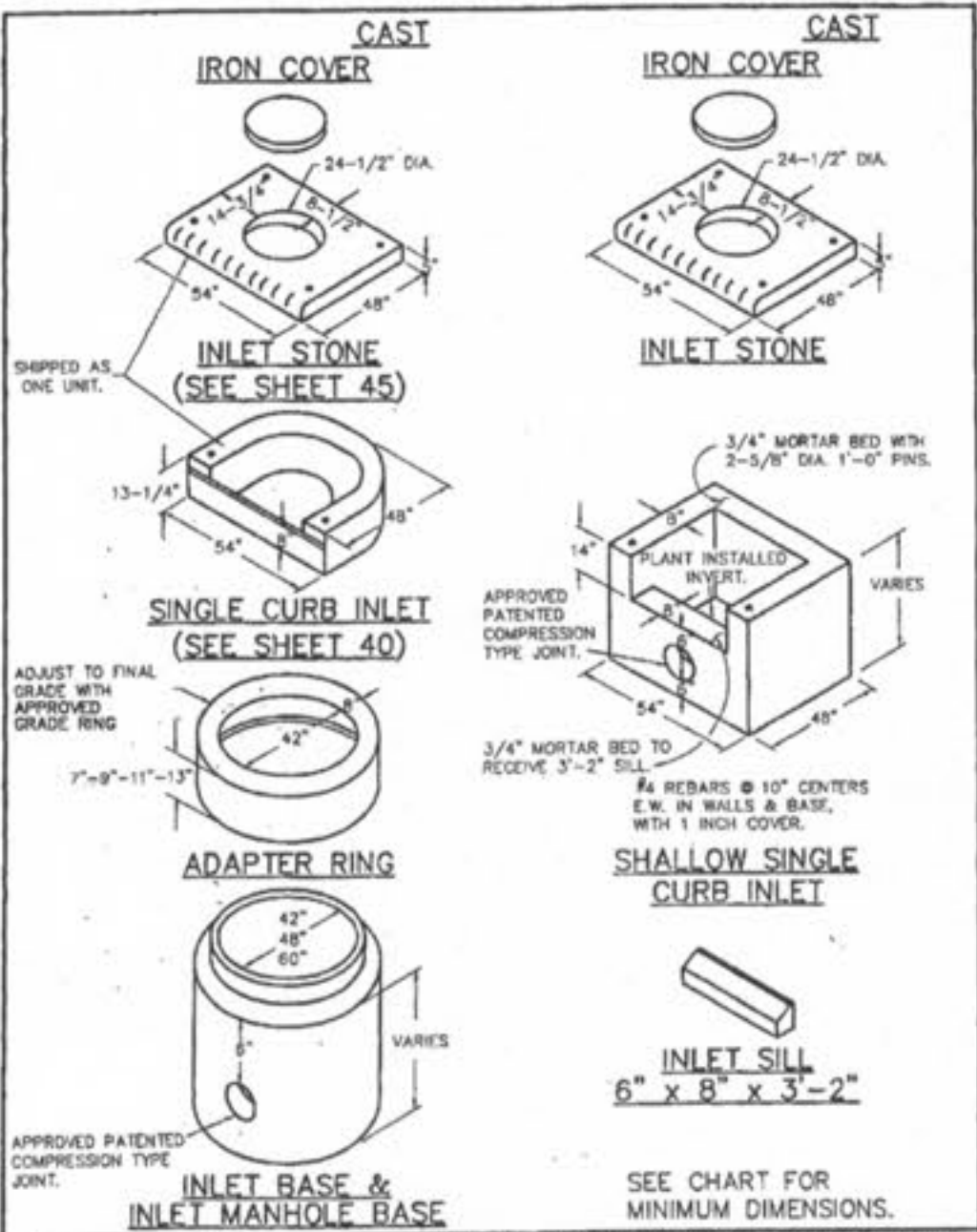
PIPE I.D. NOMINAL INCHES	AREA INLET CIRCULAR BASE DIA.			(2) GRATE INLET CIRCULAR BASE DIA. SQUARE			SINGLE STREET INLET CIRCULAR BASE DIA. RECTANGLE		
	42"	48"	60"	42"	48"	60" (MAX.)	42"	48"	60" (MAX.)
12"	45"			36"			31"	48"	41"
15"	48"			41"			34"	51"	44"
18"	52"			44"			37"	55"	48"
21"	55"			47"			40"	58"	51"
24"	58"			51"			44"	61"	54"
27"		76"		71"	NA		NA	81"	NA
30"		82"		74"	NA		NA	85"	NA
33"		89"		77"	NA		NA	88"	NA

(SEE SHEET 35 FOR DETAIL) (SEE SHEET 36 FOR DETAIL) (SEE SHEET 37 FOR DETAIL)

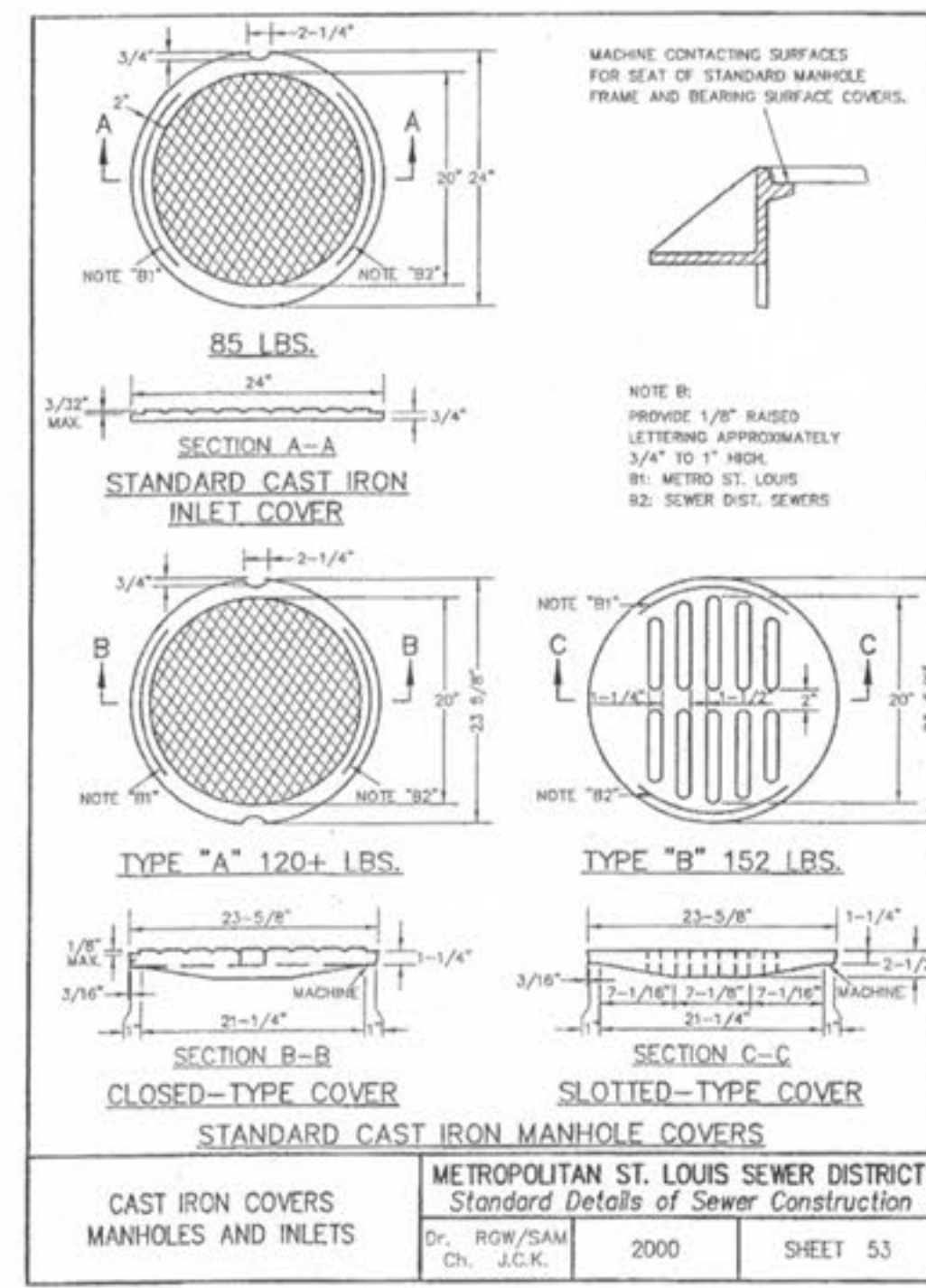
NOTES:

- 48" DIAMETER BASE REQUIRES 3" HIGH TRANSITION SECTION TO 42" DIAMETER. SIMILAR TO "ADAPTER RING" SHEET 35.
- 60" DIAMETER BASE REQUIRES 24" HIGH CONCENTRIC REDUCER TRANSITION TO 42" DIAMETER. SIMILAR TO "ADAPTER RING" SHEET 35.
- STANDARD DEPTH = 3 x PIPE DIAMETER.

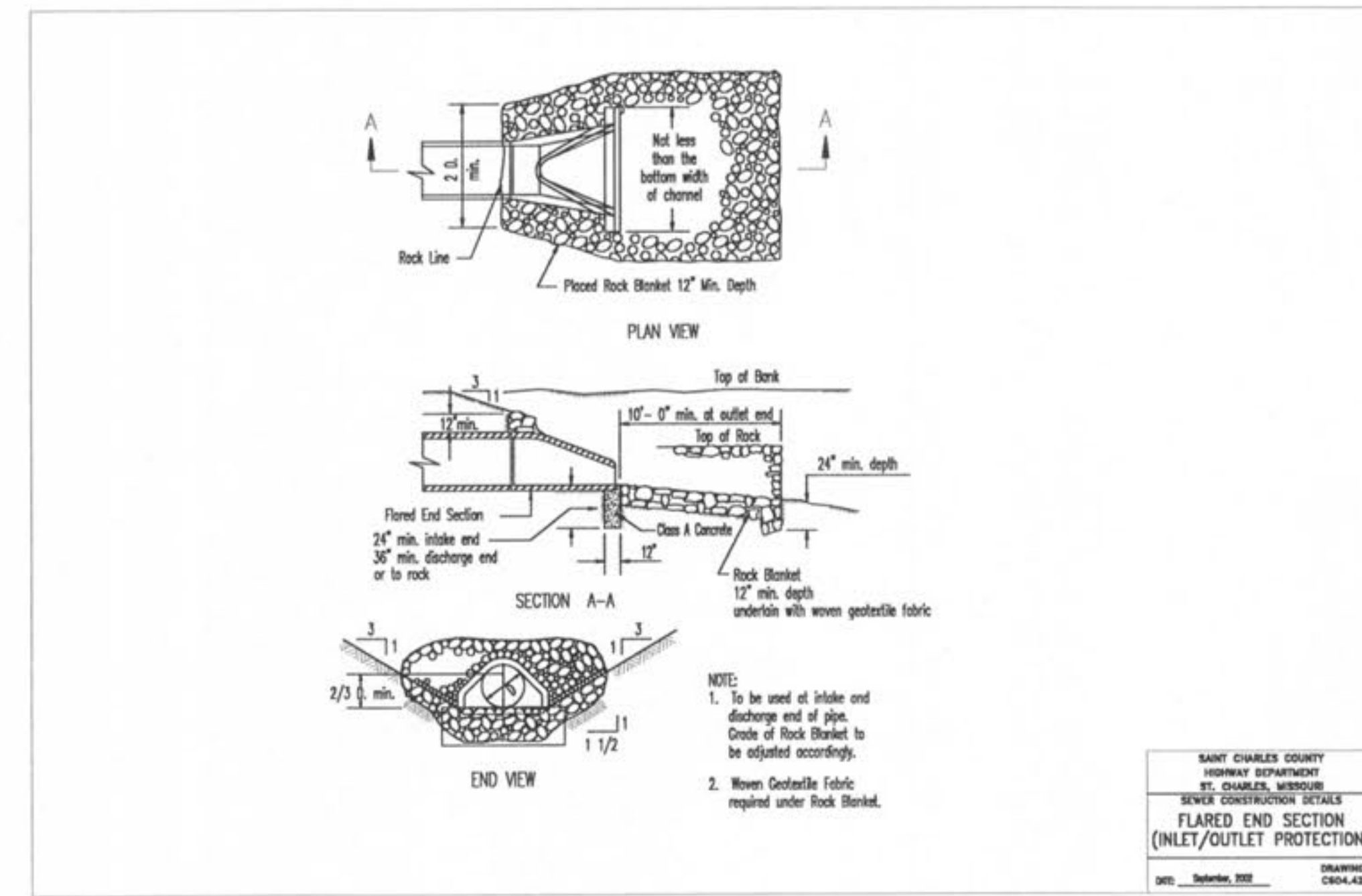
PRECAST CONCRETE STORMWATER STRUCTURES	METROPOLITAN ST. LOUIS SEWER DISTRICT Standard Details of Sewer Construction
Dr. J.L.G. Ch. J.C.K.	2000 SHEET 34



SINGLE STREET INLETS PRECAST CONCRETE	METROPOLITAN ST. LOUIS SEWER DISTRICT Standard Details of Sewer Construction
Dr. J.L.G./SAM Ch. J.C.K.	2000 SHEET 37



CAST IRON COVERS MANHOLES AND INLETS	METROPOLITAN ST. LOUIS SEWER DISTRICT Standard Details of Sewer Construction
Dr. ROW/SAM Ch. J.C.K.	2000 SHEET 53



NOTE: THE DETAILS SHOWN HEREIN ARE FOR THE PURPOSE OF PRIVATE CONSTRUCTION ONLY. PUBLIC CONSTRUCTION WILL REQUIRE STRICT ADHERENCE TO THE DETAILS PUBLISHED BY DUCKETT CREEK AND ST. CHARLES COUNTY.

REVISIONS

DATE	BY	DESCRIPTION
4/1/08	A	ISSUE FOR BIDDING & DCKETT CREEK COMMENTS
4/1/08	A	ISSUE FOR BIDDING & DCKETT CREEK COMMENTS
5/7/08	A	ISSUE FOR BIDDING & DCKETT CREEK COMMENTS

DEVELOPER/OWNER:
THE JONES COMPANY HOMES, L.L.C.
16640 CHESTERFIELD GROVE, SUITE 200
CHESTERFIELD, MO 63005
PHONE: (636) 637-7192



PRESTON WOODS - PHASE III
IMPROVEMENT PLANS
PRESTON WOODS LANE
OF FALLON, MO. 63366
STORM SEWER DETAILS

planning * engineering * surveying * landscape architecture
Cole and ASSOCIATES
INCORPORATED
10777 sunset office dr.
st. louis, mo 63127
tel: 314.984.9887 f: 314.984.6587

DESIGNED BY: JKW
DRAWN BY: KDK
CHECKED BY: JFH
DATE: 12/19/07
Job Number: 07-0178
Sheet Number: C9.6

USER: M:\STORM 8.6
 DATE: 12/20/07 8:04 AM
 DRAWING: S:\CGS\10022007\07-0178\07-0178.dwg IMPROVEMENT PLANS PHASE III NO PLAN_C9.0_DETAILS.dwg