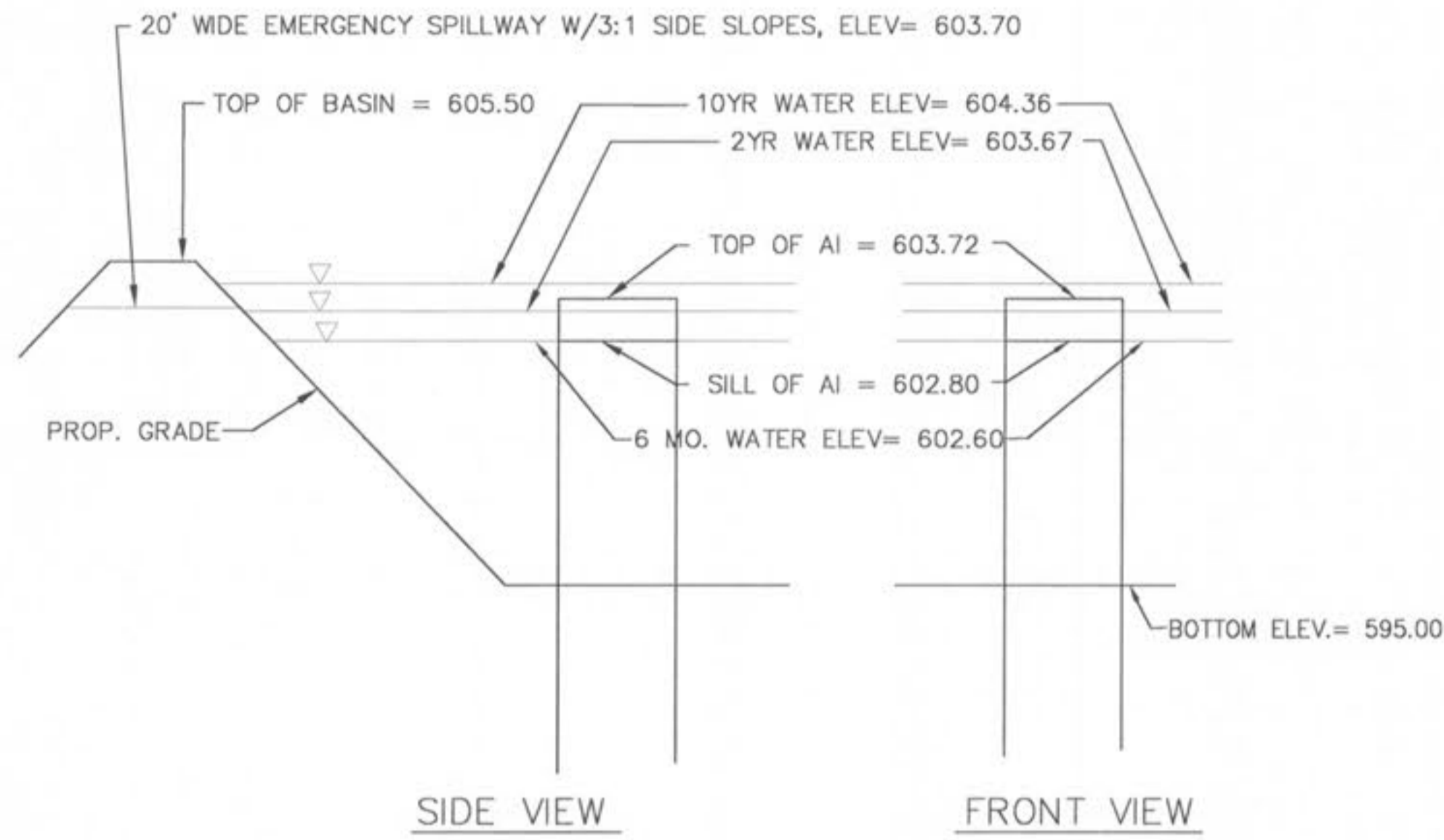
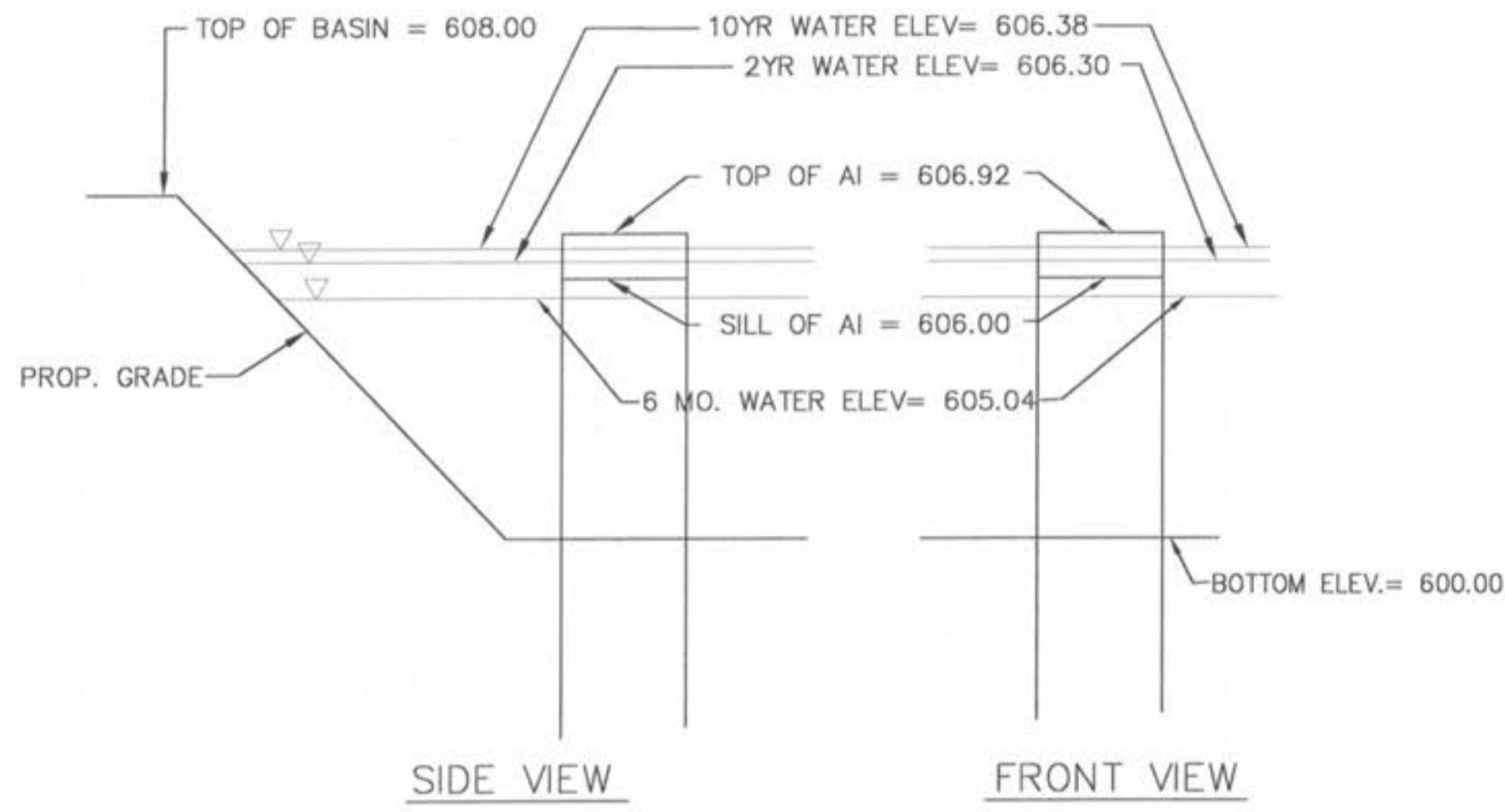


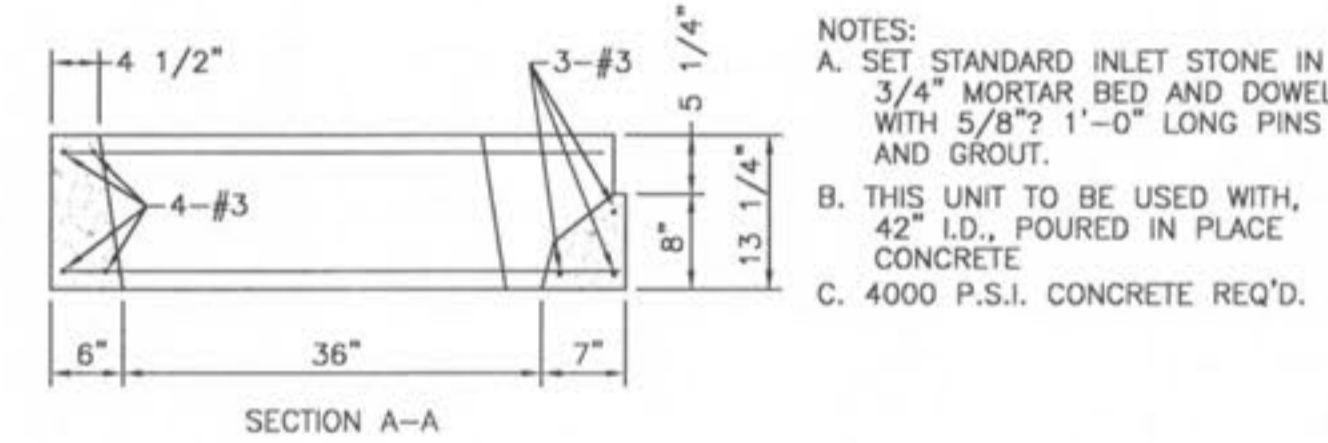
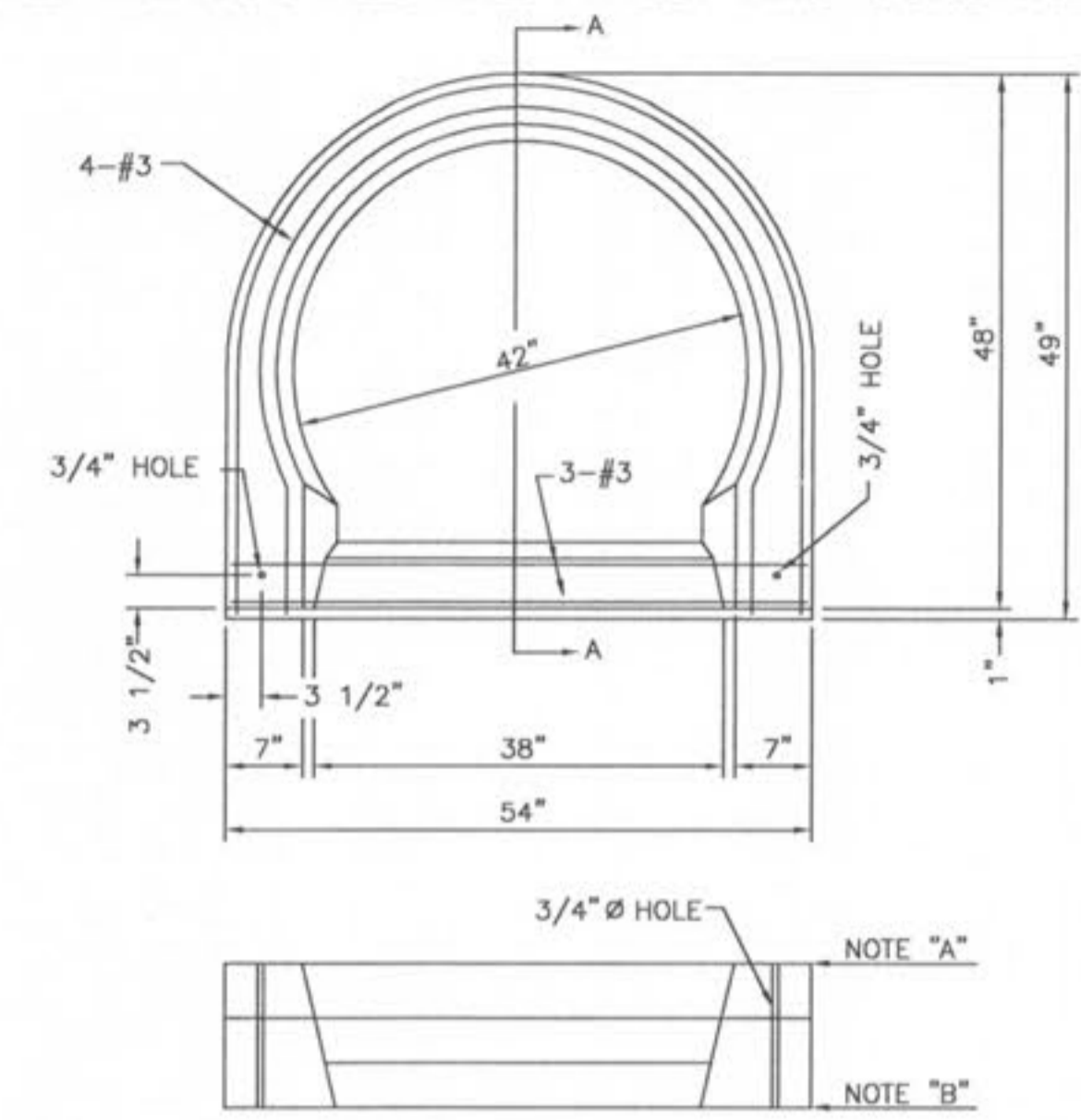
A 5/8" TRASH BAR WILL BE INSTALLED AN CENTERED ACROSS ALL AREA INLET AND CURB INLET OPENINGS



1 SEDIMENT TRAP F - STRUCTURE 162
SCALE: N.T.S. REF. DWG.



2 SEDIMENT TRAP H - STRUCTURE 167
SCALE: N.T.S. REF. DWG.



NOTES:
A. SET STANDARD INLET STONE IN 3/4" MORTAR BED AND DOWEL WITH 5/8" 1'-0" LONG PINS AND GROUT.
B. THIS UNIT TO BE USED WITH 42" I.D., POURED IN PLACE CONCRETE
C. 4000 P.S.I. CONCRETE REQ'D.

3 SINGLE CURB INLET DETAIL
SCALE: N.T.S.

TRAPEZOIDAL CHANNEL ANALYSIS
NORMAL DEPTH COMPUTATION
SEDIMENT TRAP "F"
December 17, 2007

PROGRAM INPUT DATA	
DESCRIPTION	VALUE
Flow Rate (cfs)	46.57
Channel Bottom Slope (ft/ft)	0.01
Manning's Roughness Coefficient (n-value)	0.033
Channel Left Side Slope (horizontal/vertical)	3.0
Channel Right Side Slope (horizontal/vertical)	3.0
Channel Bottom Width (ft)	20.0

COMPUTATION RESULTS	
DESCRIPTION	VALUE
Normal Depth (ft)	0.66
Flow Velocity (fps)	3.21
Froude Number	0.727
Velocity Head (ft)	0.16
Energy Head (ft)	0.82
Cross-Sectional Area of Flow (sq ft)	14.51
Top Width of Flow (ft)	23.96

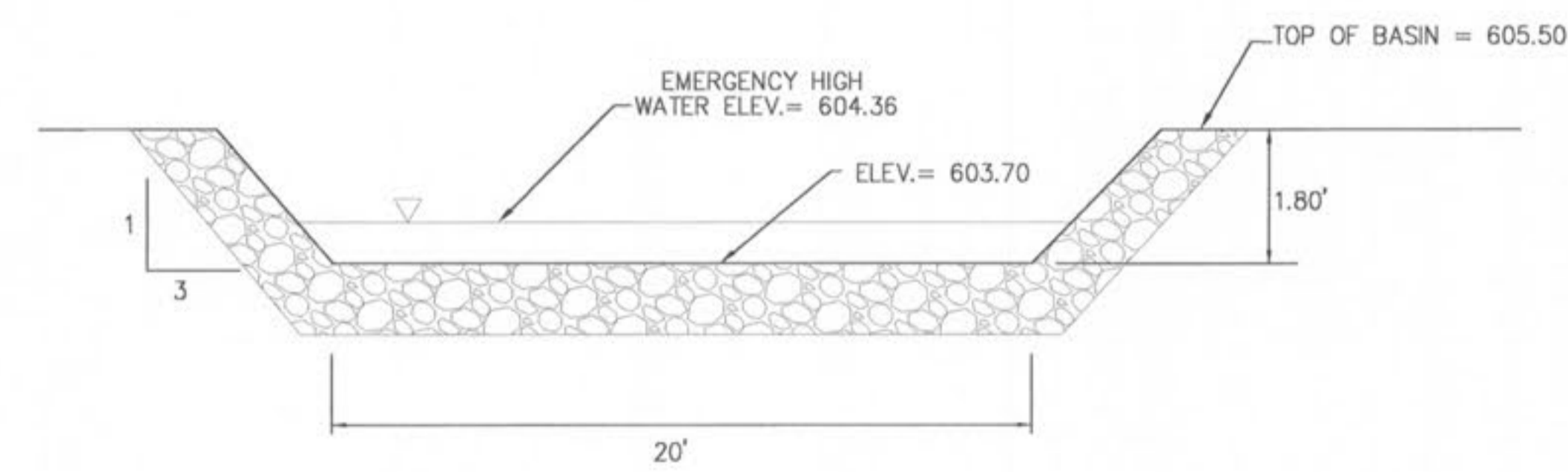
HYDROCALC Hydraulics for Windows, Version 1.2a Copyright (c) 1996
Dodson & Associates, Inc., 5629 FM 1960 West, Suite 314, Houston, TX 77069
Phone: (281) 440-3787, Fax: (281) 440-4742, Email: software@dodson-hydro.com
All Rights Reserved.

TRAPEZOIDAL CHANNEL ANALYSIS
NORMAL DEPTH COMPUTATION
SEDIMENT TRAP "G"
December 17, 2007

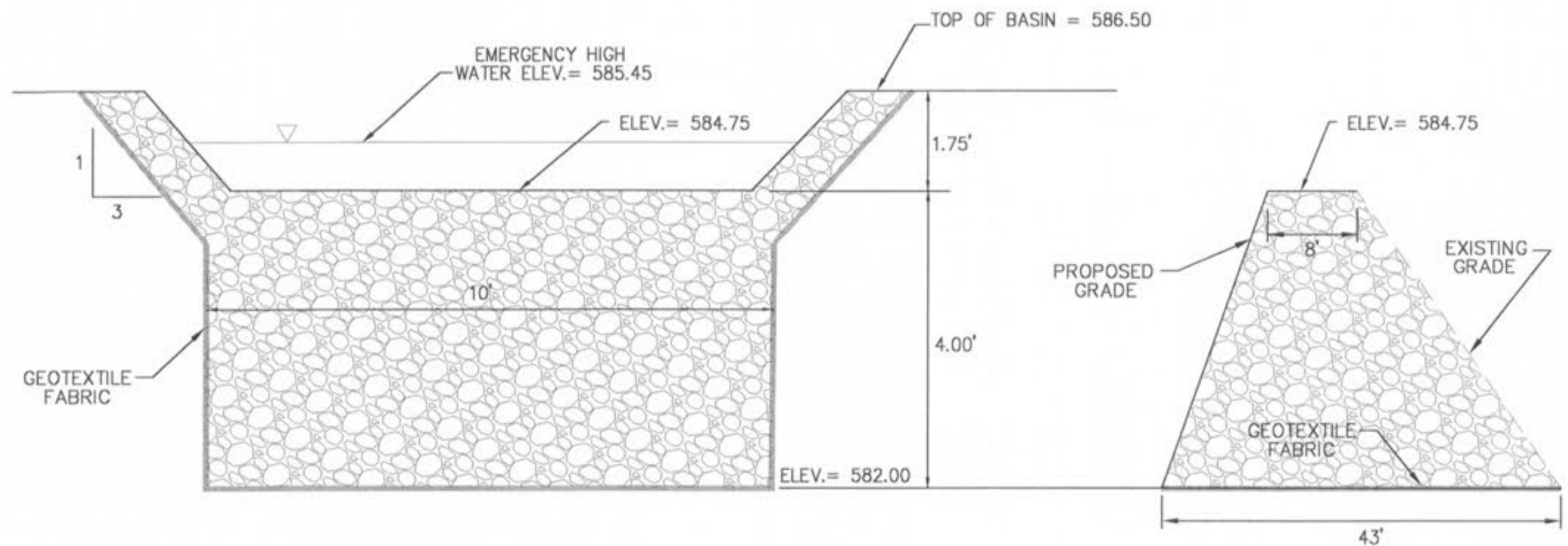
PROGRAM INPUT DATA	
DESCRIPTION	VALUE
Flow Rate (cfs)	26.58
Channel Bottom Slope (ft/ft)	0.01
Manning's Roughness Coefficient (n-value)	0.033
Channel Left Side Slope (horizontal/vertical)	3.0
Channel Right Side Slope (horizontal/vertical)	3.0
Channel Bottom Width (ft)	10.0

COMPUTATION RESULTS	
DESCRIPTION	VALUE
Normal Depth (ft)	0.70
Flow Velocity (fps)	3.15
Froude Number	0.721
Velocity Head (ft)	0.15
Energy Head (ft)	0.85
Cross-Sectional Area of Flow (sq ft)	8.43
Top Width of Flow (ft)	14.18

HYDROCALC Hydraulics for Windows, Version 1.2a Copyright (c) 1996
Dodson & Associates, Inc., 5629 FM 1960 West, Suite 314, Houston, TX 77069
Phone: (281) 440-3787, Fax: (281) 440-4742, Email: software@dodson-hydro.com
All Rights Reserved.



4 OVERFLOW DETAIL SEDIMENT TRAP "F"
SCALE: N.T.S. REF. DWG.



5 OVERFLOW DETAIL SEDIMENT TRAP "G"
SCALE: N.T.S. REF. DWG.

SECTION F-F

SECTION G-G

SIDE VIEW

REVISIONS

DATE	BY	DESCRIPTION
12/18/07	JKW	OWNER COMMENTS/CITY COMMENTS
1/11/08	JKW	CITY COMMENTS

DEVELOPER/OWNER:
THE JONES COMPANY HOMES, L.L.C.
16640 CHESTERFIELD GROVE, SUITE 200
CHESTERFIELD, MO 63005
PHONE: (636) 537-7192

SEAL:

PRESTON WOODS - PHASE III
MASS GRADING PLANS
+ PARTIAL STORM SEWER
ST. CHARLES, MO. 63366

planning • engineering • surveying • landscape architecture
Cole and ASSOCIATES
INCORPORATED
10777 sunset office dr.
saint louis, missouri 63127
p: 314 984 9887 f: 314 984 0587

DESIGNED BY: JKW
DRAWN BY: JKW
CHECKED BY: JFH
DATE: 8/13/07
Job Number: 07-0178
Sheet Number: G6.2