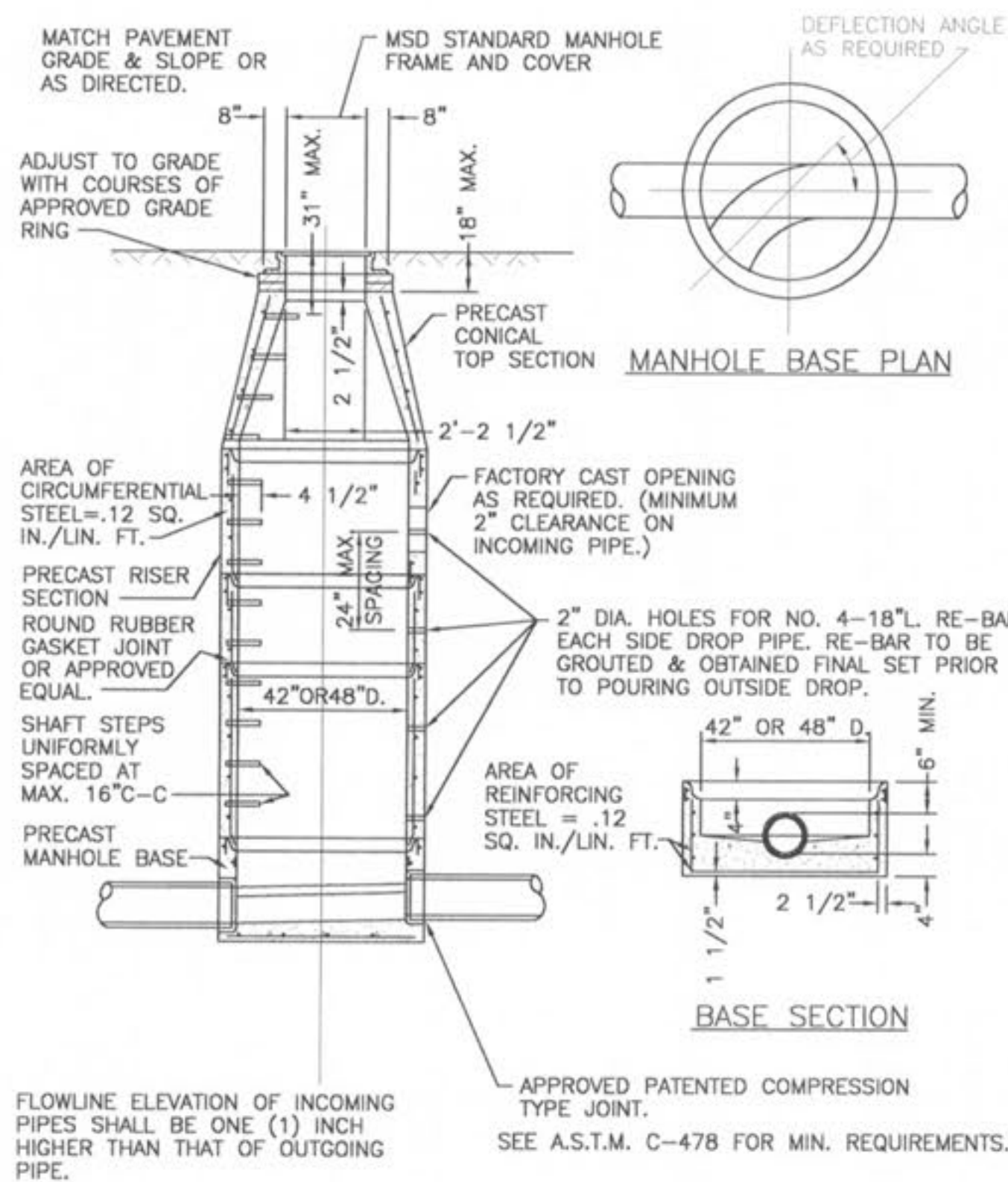
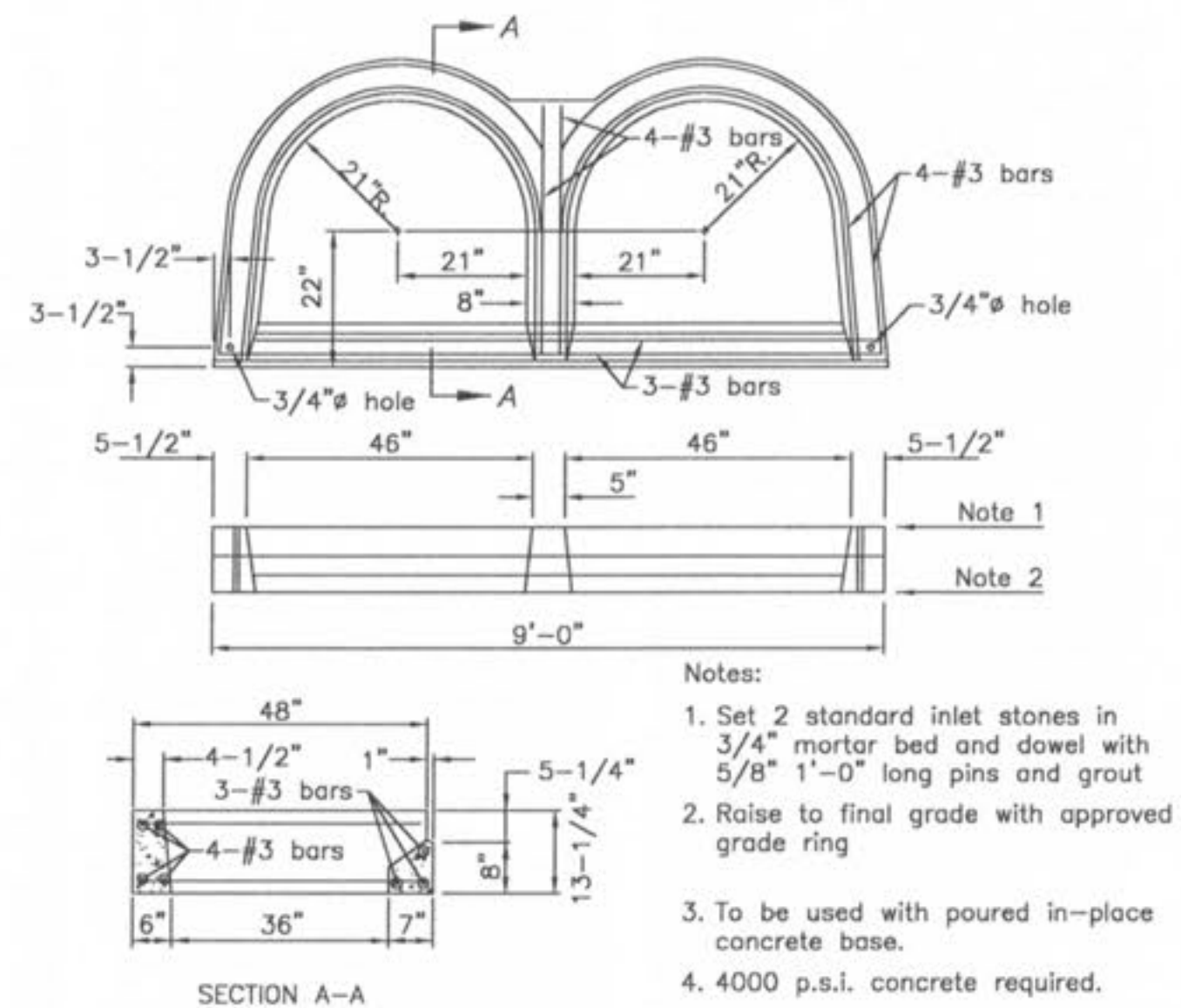


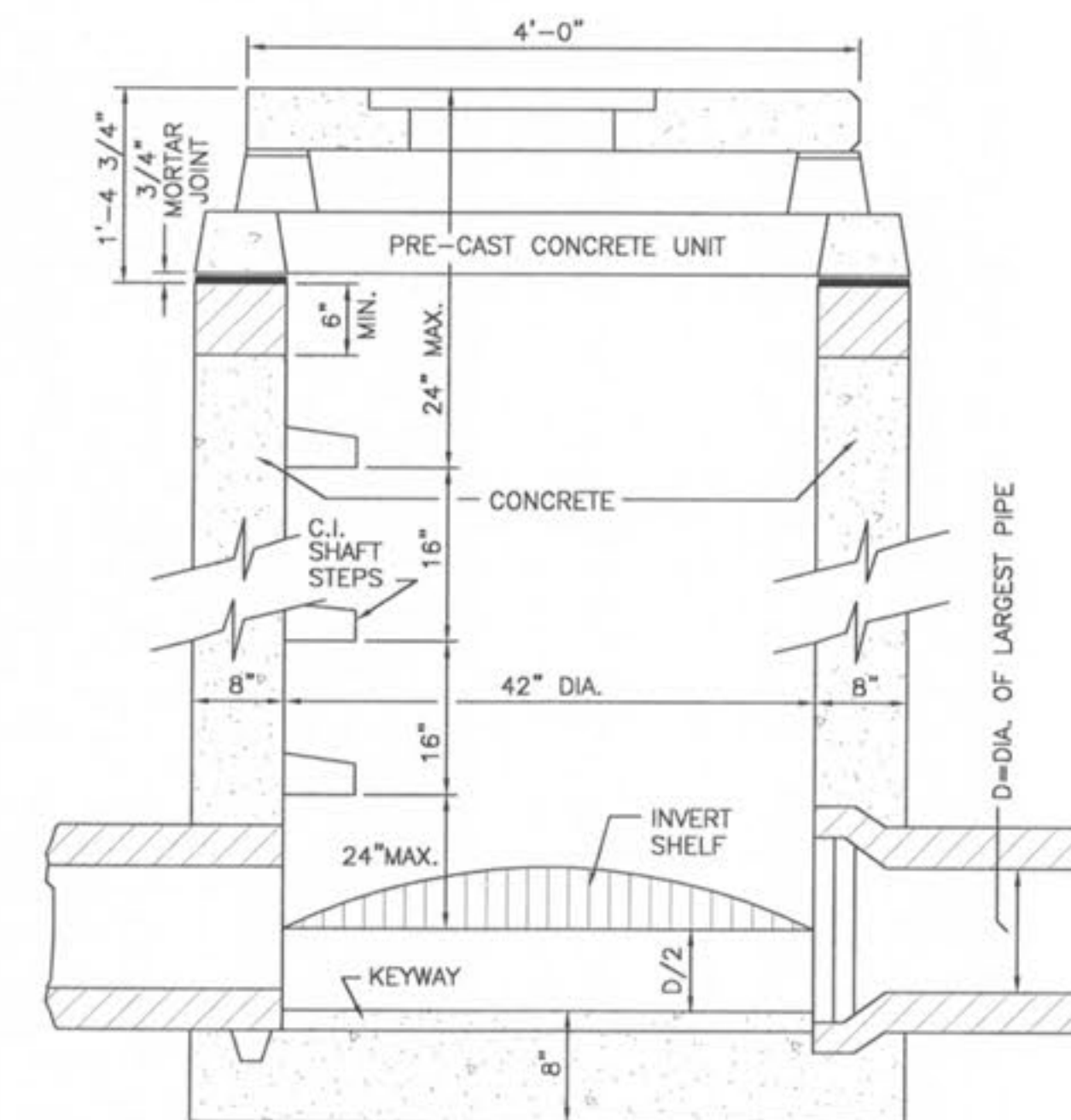
A 5/8" TRASH BAR WILL BE INSTALLED AN CENTERED ACROSS ALL AREA INLET AND CURB INLET OPENINGS



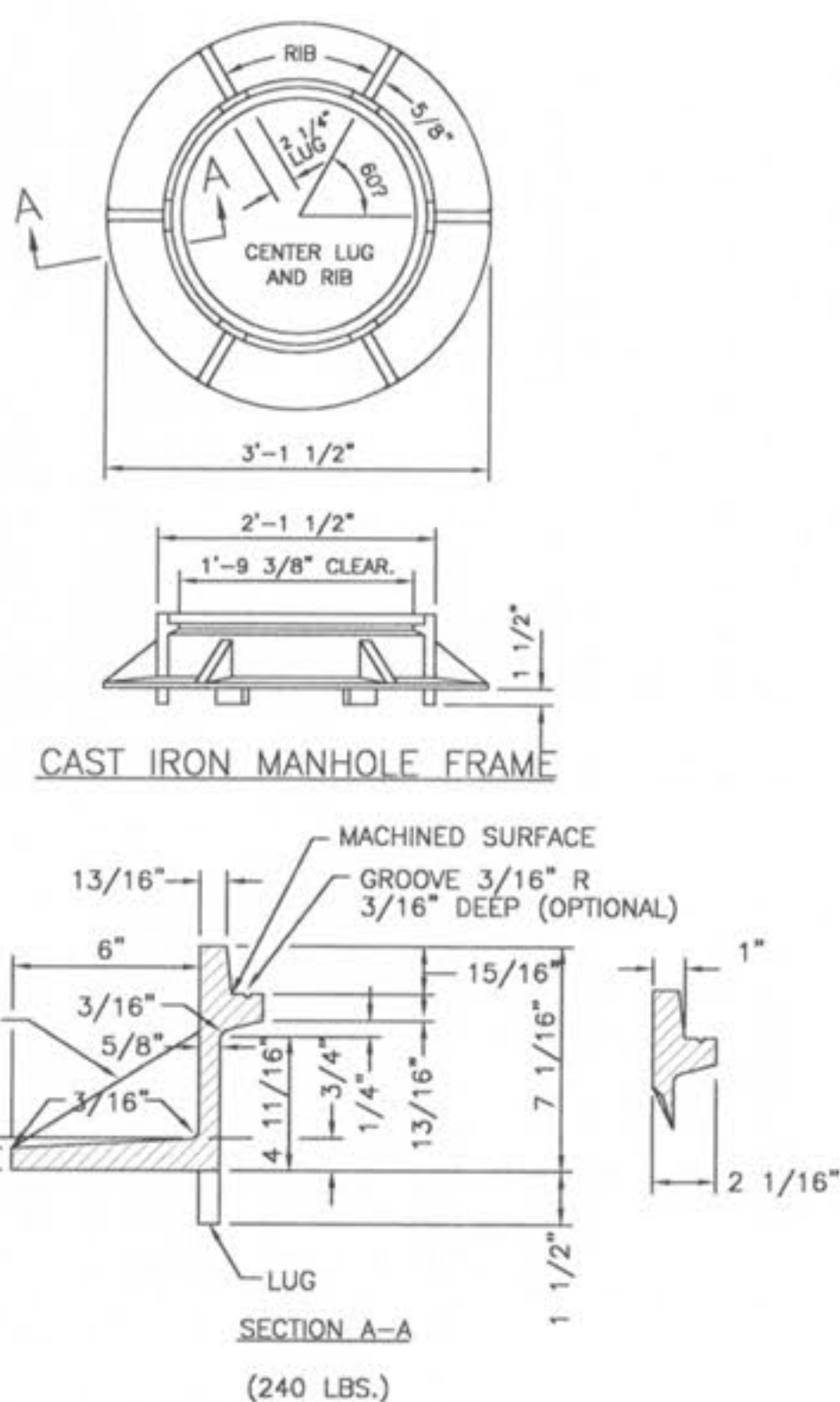
1 MANHOLE DETAIL
SCALE: N.T.S. REF. DWG.



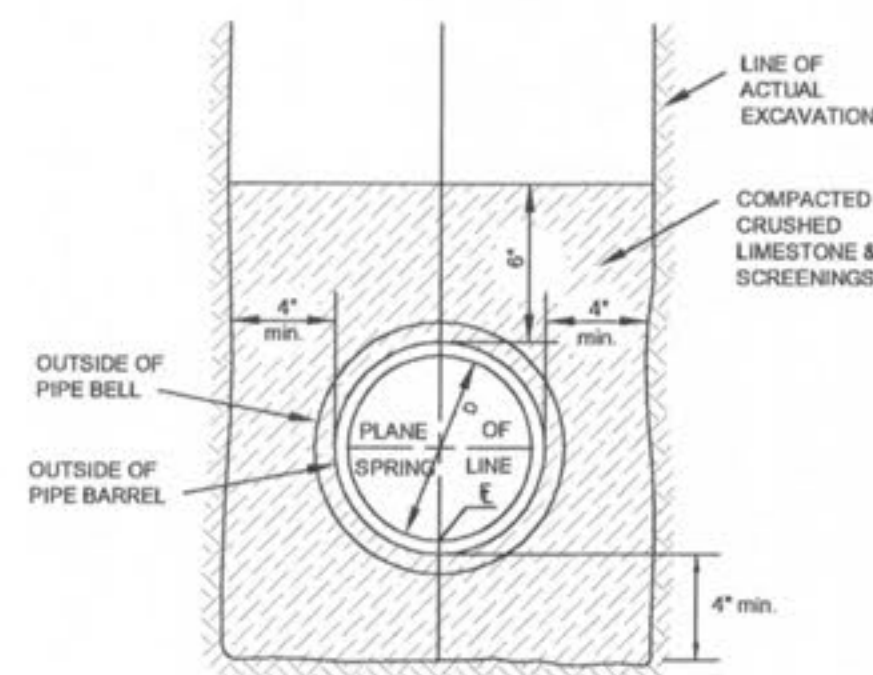
2 DOUBLE CURB INLET
SCALE: N.T.S.



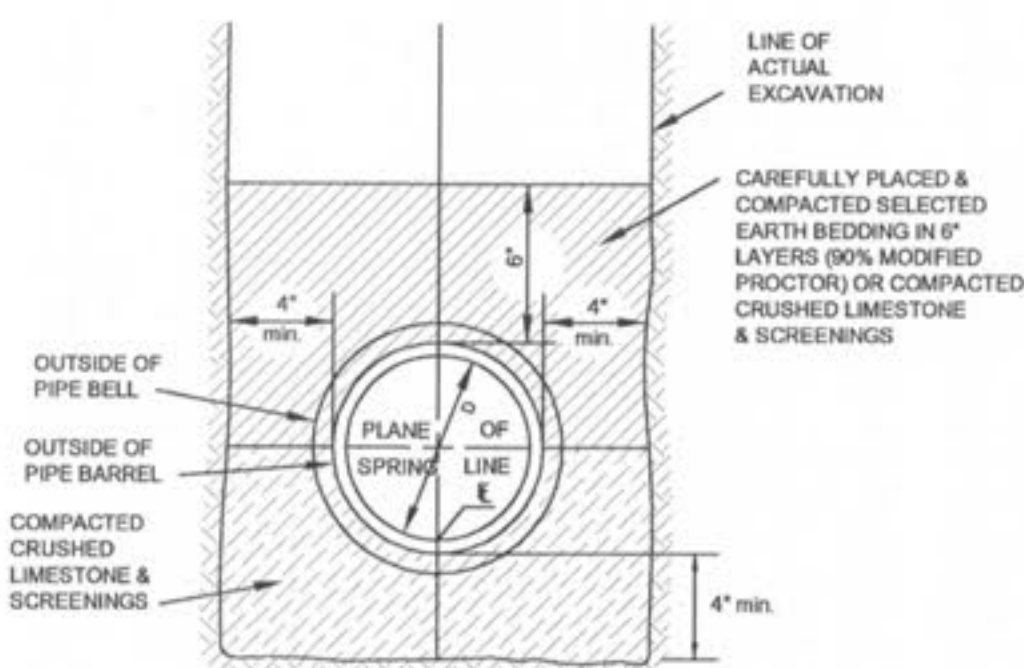
3 AREA INLET DETAIL
SCALE: N.T.S. REF. DWG.



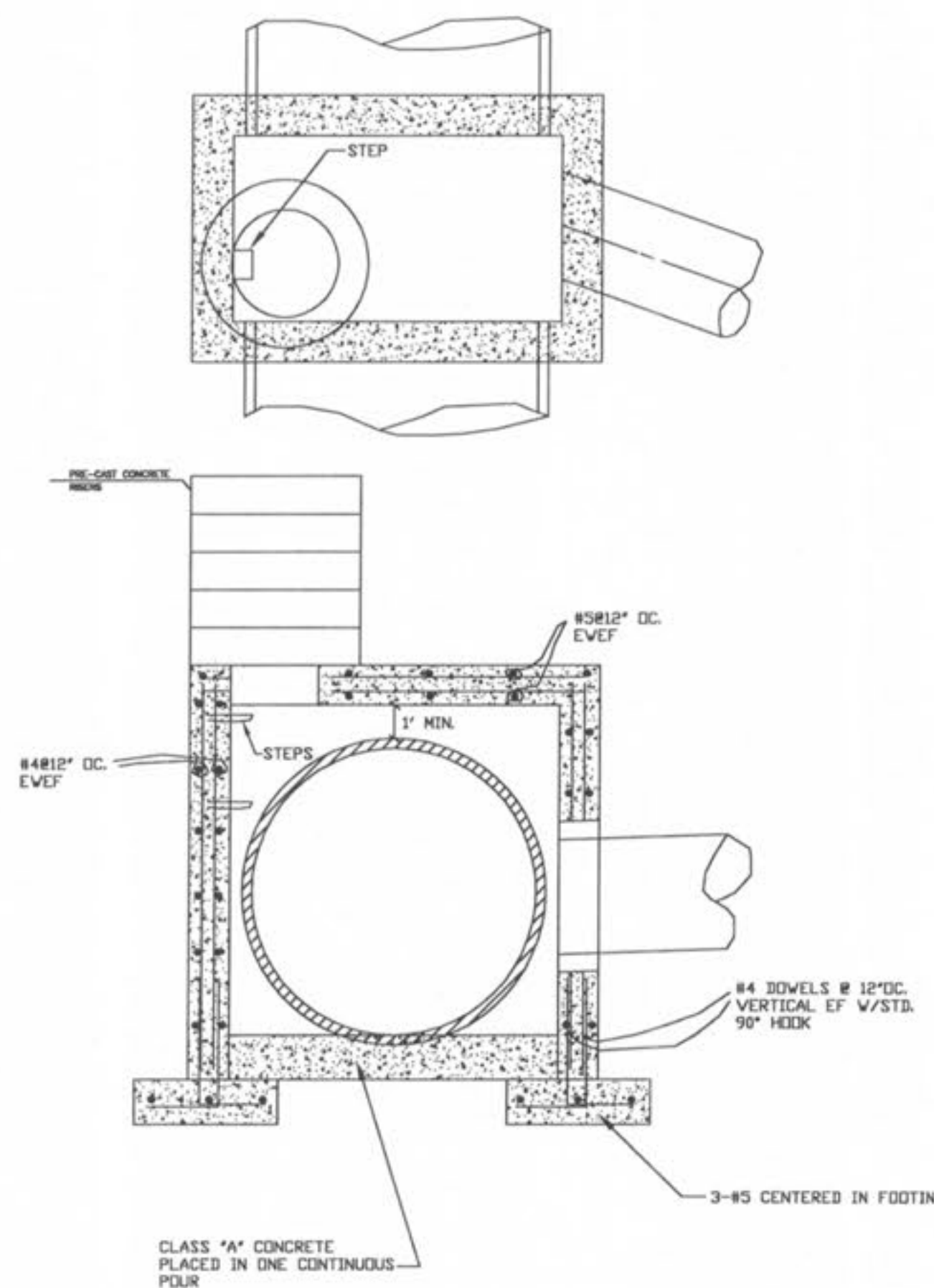
4 CAST IRON MANHOLE FRAME DETAIL
SCALE: N.T.S. REF. DWG.



5 PIPE BEDDING DETAIL (FOR ALL EXCEPT RCP)
SCALE: N.T.S. REF. DWG.



6 PIPE BEDDING DETAIL (FOR RCP)
SCALE: N.T.S. REF. DWG.



7 SPECIAL STRUCTURE DETAIL (TYP.)
SCALE: N.T.S.

SPECIAL STRUCTURES VARY IN SIZE AND SHAPE IN ACCORDANCE WITH THE CALL OUTS ON THE STORM PROFILES

<p>REVISIONS</p> <table border="1"> <tr> <th>NO.</th> <th>DATE</th> <th>DESCRIPTION</th> </tr> <tr> <td>1</td> <td>12/19/07</td> <td>OWNER COMMENTS/CITY COMMENTS</td> </tr> <tr> <td>2</td> <td>1/7/08</td> <td>CITY COMMENTS</td> </tr> </table>		NO.	DATE	DESCRIPTION	1	12/19/07	OWNER COMMENTS/CITY COMMENTS	2	1/7/08	CITY COMMENTS
NO.	DATE	DESCRIPTION								
1	12/19/07	OWNER COMMENTS/CITY COMMENTS								
2	1/7/08	CITY COMMENTS								
<p>DEVELOPER/OWNER: THE JONES COMPANY HOMES, L.L.C. 16640 CHESTERFIELD GROVE, SUITE 200 CHESTERFIELD, MO 63005 PHONE: (636) 537-7192</p>										
<p>THE PROFESSIONAL ENGINEER'S SIGNATURE AND PERSONAL SEAL APPEAR HEREIN. THE ENGINEER'S RESPONSIBILITY FOR THE DESIGN AND CONSTRUCTION OF THE PROJECT IS LIMITED TO THE WORK SHOWN ON THESE PLANS. THE ENGINEER'S RESPONSIBILITY FOR THE DESIGN AND CONSTRUCTION OF THE PROJECT IS LIMITED TO THE WORK SHOWN ON THESE PLANS. THE ENGINEER'S RESPONSIBILITY FOR THE DESIGN AND CONSTRUCTION OF THE PROJECT IS LIMITED TO THE WORK SHOWN ON THESE PLANS.</p>										
<p>SEAL: MIKE E. VONDERHEIDE, NUMBER E-23077, PROFESSIONAL ENGINEER</p>										
<p>PRESTON WOODS - PHASE III MASS GRADING PLANS + PARTIAL STORM SEWER ST. CHARLES, MO. 63366</p>										
<p>DETAILS</p>										
<p>planning • engineering • surveying • landscape architecture Cole and ASSOCIATES INCORPORATED 10777 sunset office dr. saint louis, missouri p. 314 984 9887 f. 314 984 0687</p>										
<p>DESIGNED BY: JKW DRAWN BY: JKW CHECKED BY: JFH DATE: 8/13/07 Job Number: 07-0178 Sheet Number: G6.3</p>										