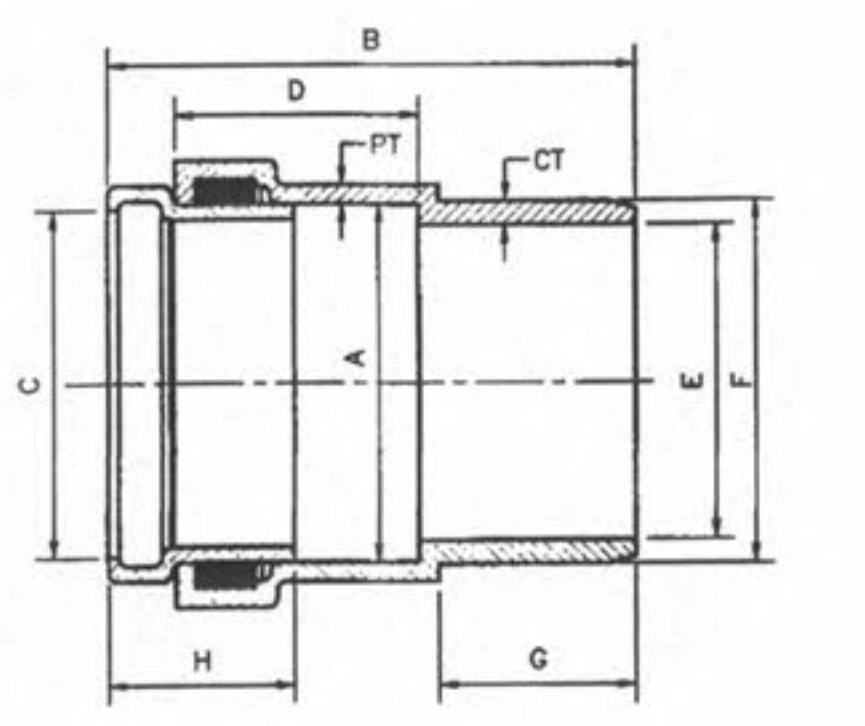


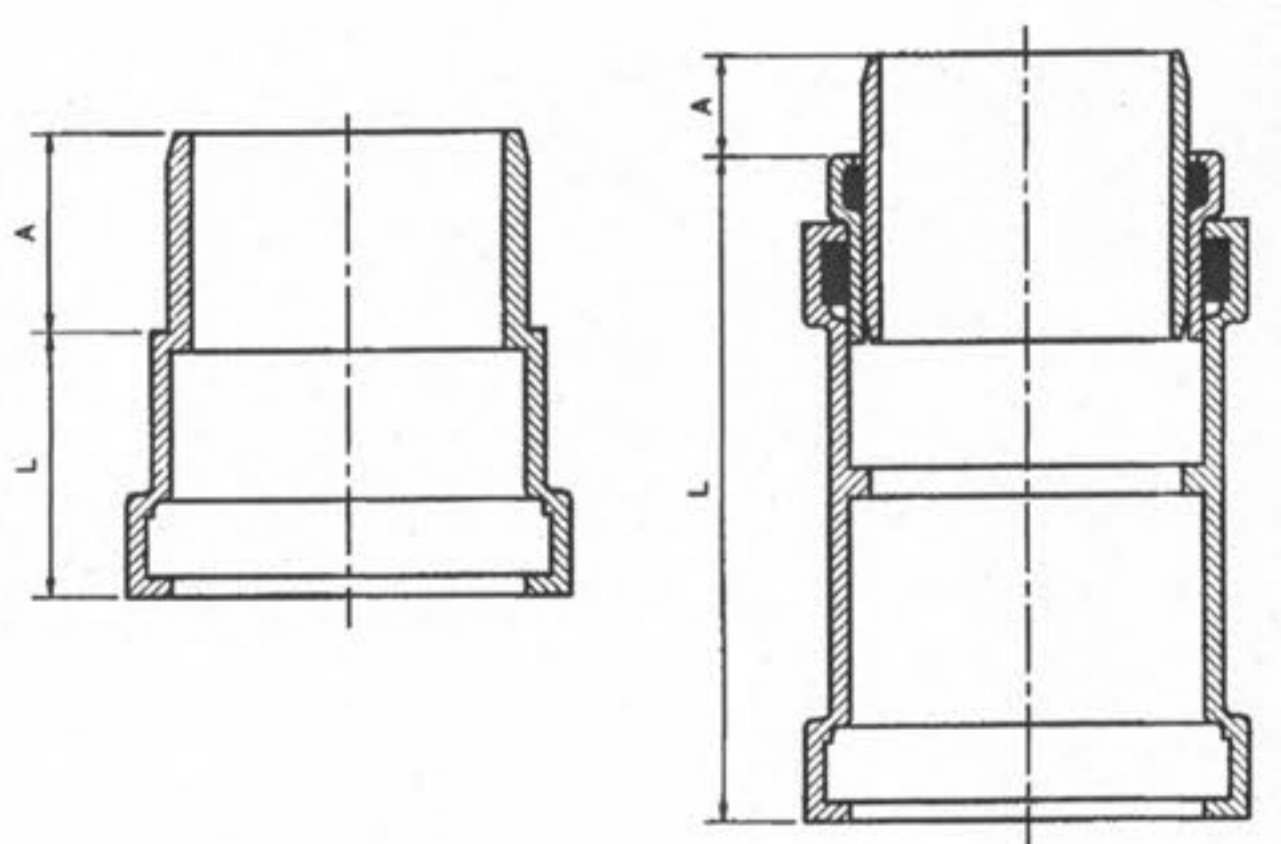
SDR-35 x C900  
BELL x SPIGOT ADAPTERS



SIZE	CATALOG NO.	A	B	C	D	E	F	G	H	CT	PT
4"	334-040	4.58	8.23	4.25	4.10	3.94	4.80	2.72	2.7	.32	.25
6"	334-060	6.68	9.93	6.31	4.57	5.88	6.90	3.72	3.5	.45	.36

**Duckett Creek Sanitary District**  
SDR-35 x C900  
BELL AND SPIGOT  
ADAPTERS  
Des. By: BSM App. By: KLA Detail No. 19A  
Old By: MDOB Date: 1-3-01

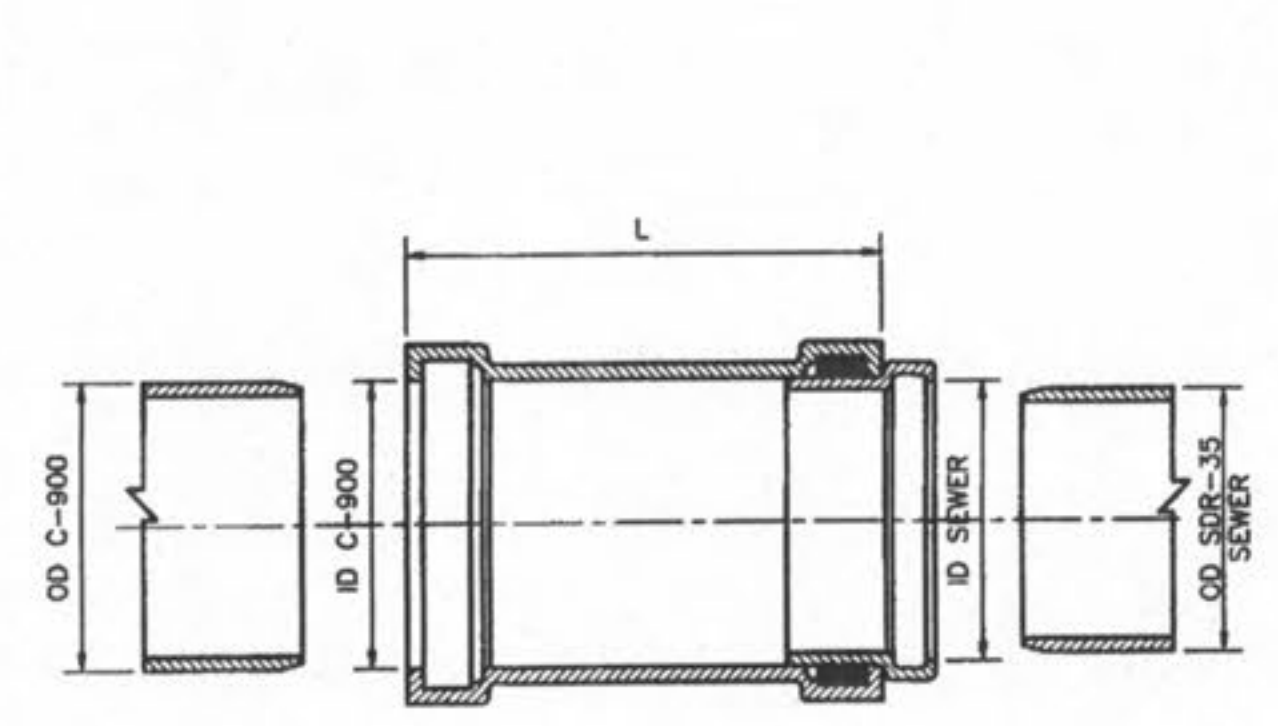
SDR-35 x C900  
BELL x SPIGOT ADAPTERS



SIZE	CATALOG NO.	A	L	STYLE
4"	335-040	3.2	10.0	FABRICATED
6"	335-060	2.9	3.5	HARCO
8"	335-080	4.0	12.5	FABRICATED

**Duckett Creek Sanitary District**  
SDR-35 x C900  
BELL AND SPIGOT  
SPECIAL 4", 6" & 8" ADAPTERS  
Des. By: BSM App. By: KLA Detail No. 19B  
Old By: MDOB Date: 1-3-01

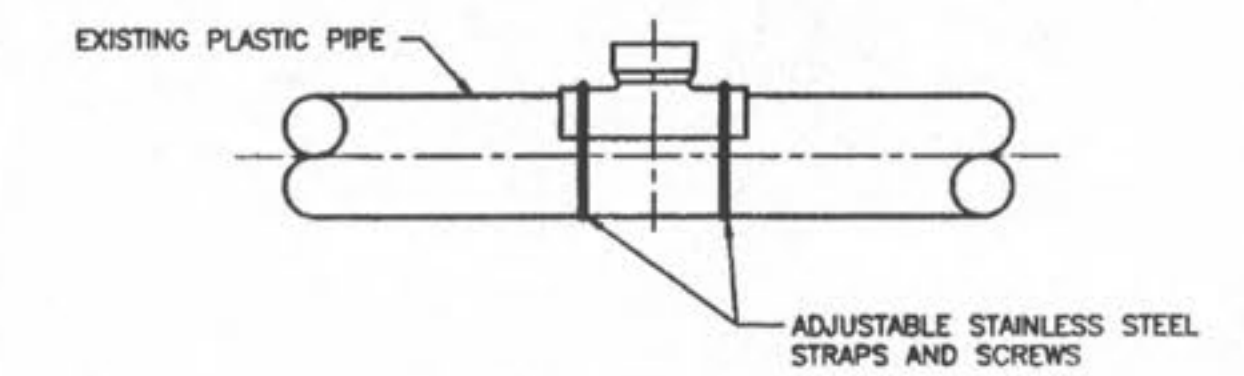
SDR-35 x C900  
BELL x BELL ADAPTERS



SIZE	CATALOG NO.	OD C900	OD SEWER	ID C900	ID SEWER	L	CTN QTY	CTN WT
4x4	337-040	4.80	4.215	4.88	4.25	10.0	1	4
6x6	337-060	6.90	6.275	6.98	6.32	11.13	1	8
8x8	337-080	9.05	8.400	9.13	8.45	12.50	1	15

**Duckett Creek Sanitary District**  
SDR-35 x C900  
BELL AND BELL  
4", 6" & 8" ADAPTERS  
Des. By: BSM App. By: KLA Detail No. 19C  
Old By: MDOB Date: 1-3-01

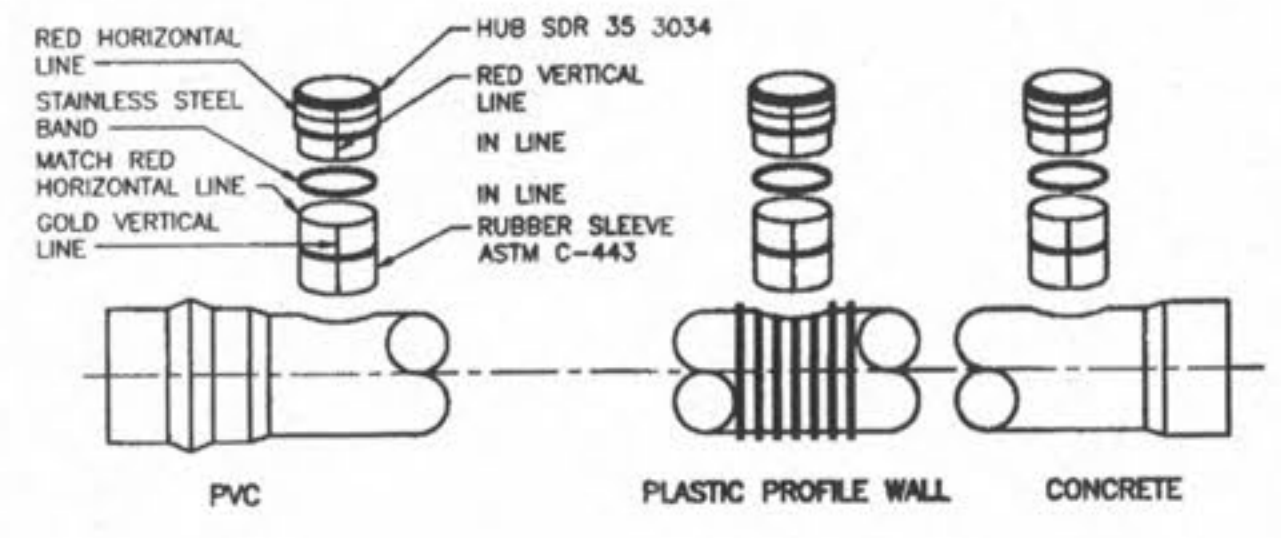
PLASTIC SADDLE TEE OR WYE FITTING  
(SOLVENT WELD)



- WHEN CONNECTION TO A PLASTIC PIPE IS ALLOWED AND A CONNECTION IS LARGER THAN 6" IN DIAMETER, A SOLVENT WELD WYE OR TEE FITTING OF A SIMILAR MATERIAL MUST BE USED. (EXAMPLE: 10" x 8")
- THIS IS ACCOMPLISHED BY CAREFULLY CUTTING A HOLE WITH A SAW IN THE MAIN AT THE REQUIRED LOCATION AFTER CUTTING AND SHAPING THE HOLE TO THE SIZE OF THE FITTING. THE FOLLOWING STEPS SHOULD BE TAKEN.
- CLEAN AND DRY BOTH INSIDE THE SADDLE WYE SURFACE AND PIPE SURFACE TO BE SOLVENT CEMENTED.
  - IMPORTANT: APPLY A LIBERAL, HEAVY COAT OF ONE-STEP SOLVENT CEMENT TO THE INSIDE SURFACE OF THE SADDLE WYE AND TO THE EXTERIOR WELDING SURFACE TO THE PIPE.
  - WITHOUT DELAY, MATE THE SURFACES AND STRAP DOWN TIGHTLY. A BEAD OF SOLVENT SHOULD APPEAR AFTER THE SADDLE HAS BEEN STRAPPED DOWN TIGHTLY.
  - USING A RAG OR PAPER TOWEL, WIPE BEAD AND ANY EXCESS SOLVENT CEMENT OFF PIPE AND SADDLE.
  - ALLOW 30-60 MINUTES FOR SET-UP TIME BEFORE BACKFILLING. CURE TIME DEPENDS ON SIZE FIT OF MATERIALS BEING INSTALLED AND VARIOUS COLD DAMP CONDITIONS.
  - DISCARD OLD SOLVENT IF IT BECOMES JELLED OR LUMPY.
  - A CLEAN, DRY BEDDING MATERIAL IS REQUIRED AROUND THE COMPLETED CONNECTION BEFORE BACKFILLING. THE BEDDING MATERIAL SHOULD BE ONE OF THE FOLLOWING:
    - A. 1 TO 3 CEMENT TO SAND MIX
    - B. "PRE-MIX" CONCRETE
    - C. CSDS APPROVED BEDDING FOR SANITARY SEWERS.

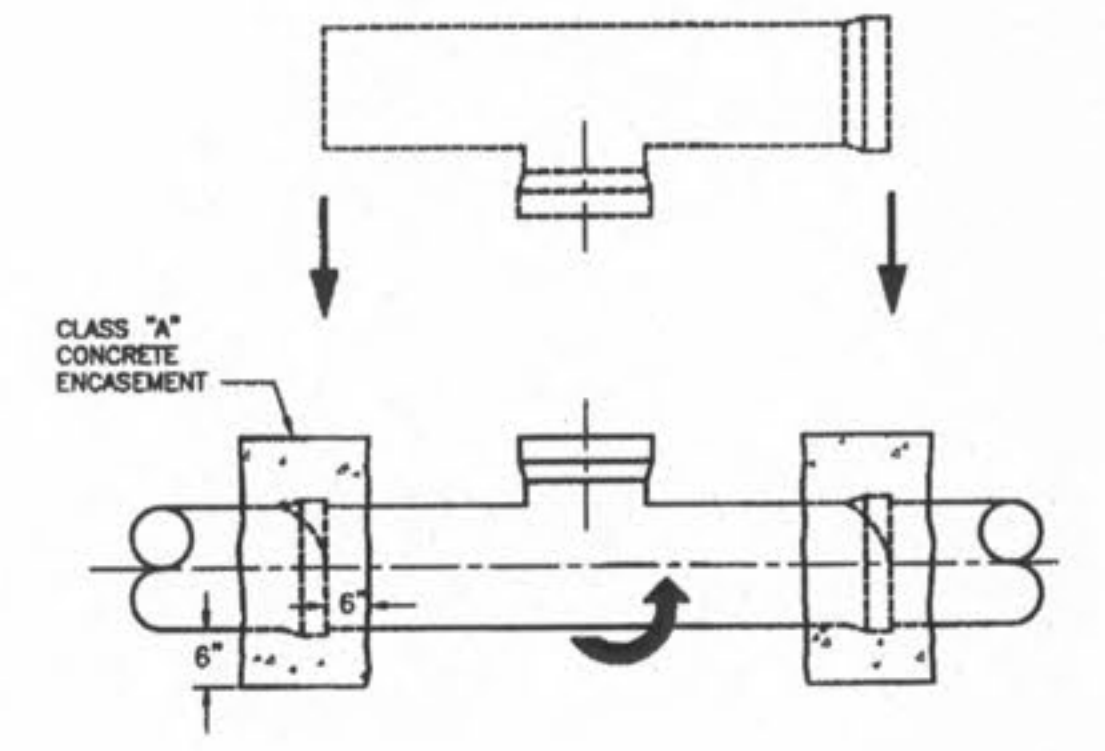
**Duckett Creek Sanitary District**  
B" & LARGER  
CONNECTION TO  
PLASTIC MAIN  
Des. By: BSM App. By: KLA Detail No. 20A  
Old By: MDOB Date: 1-4-01

INSERTA TEE  
THE USE OF AN INSERTA TEE  
REQUIRES DISTRICT APPROVAL.



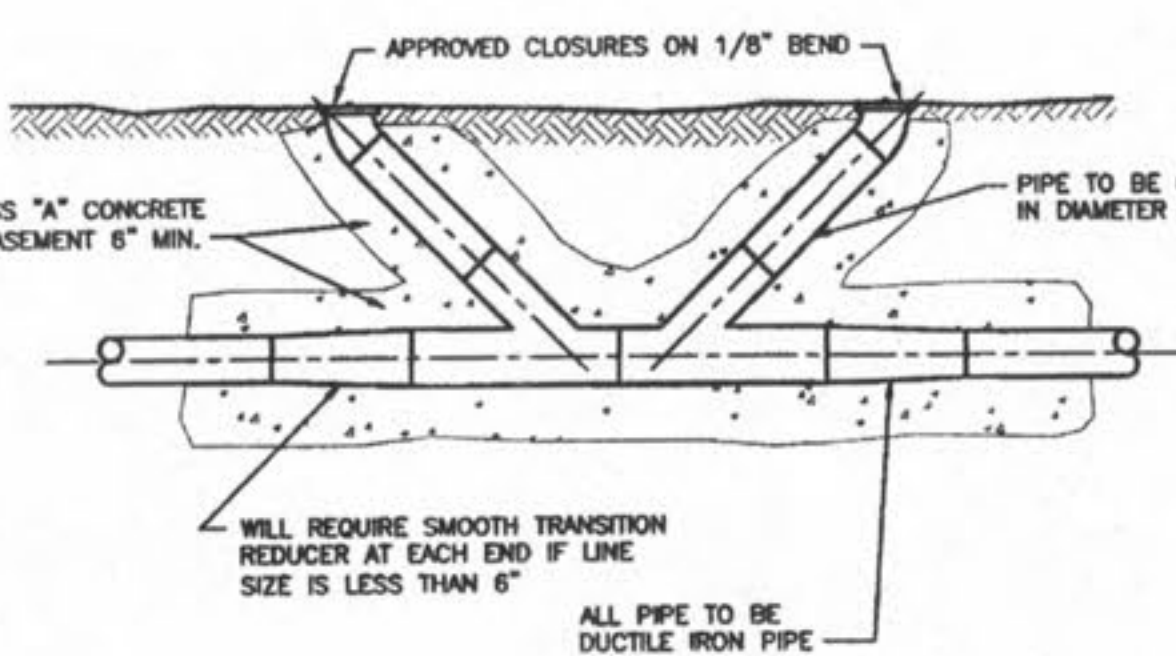
- INSTALLATION PROCEDURE:**
- TEE SIZE: 4" 6" 8" 10" 12" 15"  
BIT SIZE: 4 1/8" 6 1/8" 8 1/8" 10 1/8" 12 1/8" 15 1/8"
- CORE THE PROPER SIZE HOLE.
  - INSERT THE RUBBER SLEEVE (1) IN THE CORED HOLE WITH THE GOLD VERTICAL LINE ON THE RUBBER SLEEVE (2) FACING TO THE SIDE OF THE MAIN LINE. THE UPPER SEGMENT SHOULD BE ON TOP OF THE WALL OR TOP AND THE LOWER SEGMENT (PVC, PROFILE WALL, AND POLYETHYLENE PIPE ONLY) SHOULD BE ON THE INSIDE OF THE PIPE.
  - APPLY THE INSERTA TEE SOLUTION SUPPLIED TO THE INSIDE OF THE RUBBER SLEEVE AND TO THE OUTSIDE OF THE PVC HUB ADAPTER. CAUTION - DO NOT USE AN OIL BASED LUBRICANT.
  - PLACE THE PVC HUB ADAPTER (3) INTO THE RUBBER SLEEVE. MAKE SURE THAT THE RED VERTICAL LINE (4) ON THE PVC HUB ADAPTER IS IN LINE WITH THE GOLD VERTICAL LINE (2) ON THE RUBBER SLEEVE.
  - PLACE THE 2x4 BOARD ON TOP OF THE PVC HUB ADAPTER.
  - THE RED HORIZONTAL LINE (5) AT THE TOP OF THE HUB ADAPTER IS A DEPTH MARK. THIS TELLS THE INSTALLER HOW FAR TO DRIVE THE ADAPTER INTO THE RUBBER SLEEVE. DRIVE THE PVC HUB ADAPTER INTO THE RUBBER SLEEVE TO WHERE THE HORIZONTAL RED LINE (5) ON THE PVC HUB ADAPTER (3) MEETS THE TOP OF THE RUBBER SLEEVE (6).
  - PLACE THE STAINLESS STEEL BAND (7) AROUND THE TOP OF THE RUBBER SLEEVE AND TIGHTEN DOWN.
  - INSTALL PIPE IN NORMAL MANNER.

**Duckett Creek Sanitary District**  
INSERTA TEE  
DETAILS AND  
SPECIFICATIONS  
Des. By: BSM App. By: KLA Detail No. 20B  
Old By: MDOB Date: 1-4-01

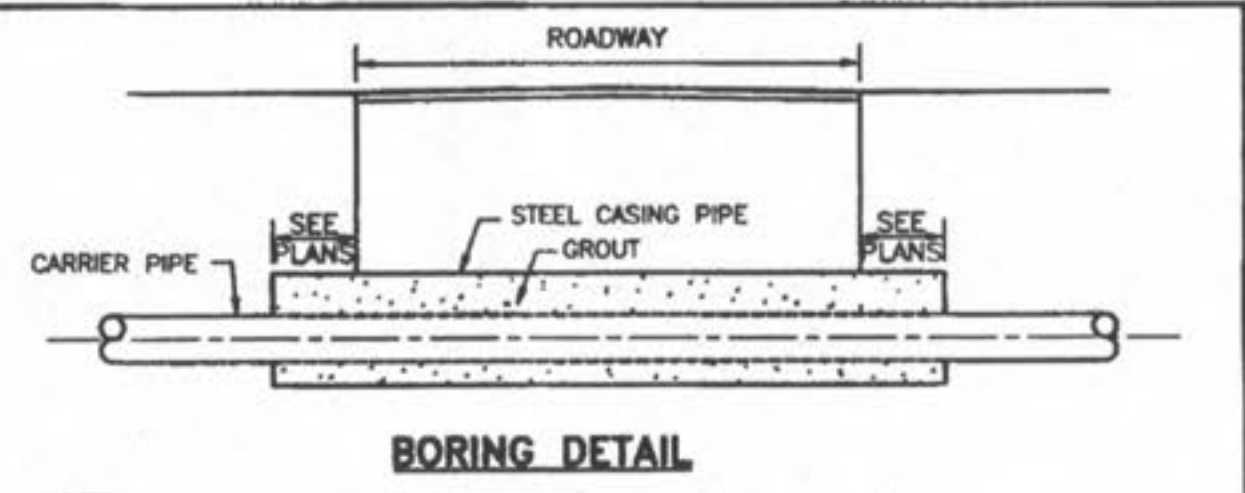


- NOTES:**
- WHEN A CONNECTION IS ALLOWED LARGER THAN 6" DIAMETER A SADDLE MAY BE USED IF THE I.D. OF THE CONNECTION PIPE IS NOT GREATER THAN ONE HALF (1/2) OF THE I.D. OF THE MAIN SEWER. (EXAMPLE: 24" x 10")
  - IF THE I.D. OF THE CONNECTION PIPE IS GREATER THAN ONE HALF (1/2) THE I.D. OF THE MAIN SEWER THE WYE OR TEE MUST BE "ROLLED IN". (EXAMPLE: 15" x 8")
  - THIS IS ACCOMPLISHED BY BREAKING AWAY AND REMOVING ONE SECTION OF PIPE. THE TOP HALF OF THE BELL ON THE PIPE LYING ADJACENT TO THE GAP IS CAREFULLY BROKEN OFF. THE TOP HALF OF THE BELL ON THE MAIN REPLACEMENT SECTION (WITH A "TEE" "WYE") FITTING IS ALSO BROKEN OFF. THE REPLACEMENT PIPE IS THEN PLACED IN THE LINE GAP WITH THE STUB POINTED IN THE WRONG DIRECTION. THE BROKEN BELLS ON THE REPLACEMENT AND ADJOINING PIPE MAKE IT POSSIBLE FOR THE REPLACEMENT SECTION TO FIT INTO THE SEWER LINE WITHOUT DISTURBING THE ADJOINING PIPE SECTIONS. THE REPLACEMENT SECTION IS THEN ROTATED TO THE DESIRED POSITION AND THE BROKEN BELLS ARE ENCASED WITH A 6" CLASS "A" CONCRETE ENCASEMENT.
  - I.D. OF MAIN SEWER SHALL NOT BE DECREASED BY A ROLL-IN CONNECTION.

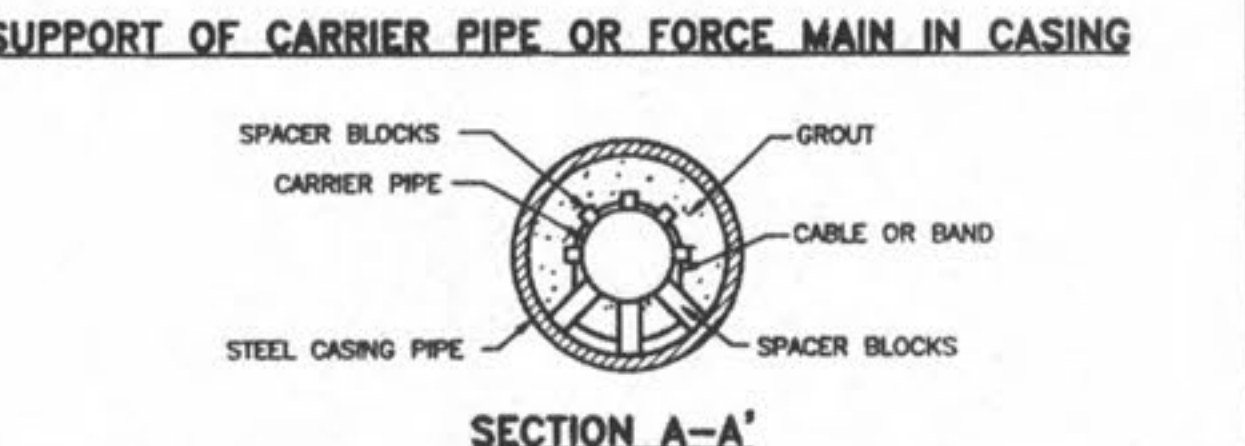
**Duckett Creek Sanitary District**  
"ROLL-IN"  
(FOR EXISTING  
CLAY OR CONCRETE PIPE)  
Des. By: BSM App. By: KLA Detail No. 21  
Old By: MDOB Date: 1-5-01



**Duckett Creek Sanitary District**  
FORCE MAIN  
CLEANOUT  
(6" DIA. & SMALLER)  
Des. By: BSM App. By: KLA Detail No. 22  
Old By: MDOB Date: 1-5-01



- NOTES:**
- INSIDE DIAMETER OF CASING PIPE TO BE MINIMUM OF 4" GREATER THAN COUPLING DIAMETER OF CARRIER PIPE.
  - ENCASEMENTS TO BE INSTALLED UNDER THE ROAD BY MEANS OF JACKING IT THROUGH, OR BY DRY BORING A HOLE THAT WILL RECEIVE THE CASING WITH A SNUG FIT.
  - THE OUTSIDE DIAMETER OF THE CASING SHALL NOT BE LESS THAN, NOR MORE THAN ONE INCH GREATER THAN THE BORED HOLE.
  - THE ANNULAR SPACE BETWEEN THE CASING PIPE AND THE BORED HOLE SHALL BE FILLED WITH GROUT.



**Duckett Creek Sanitary District**  
ROADWAY  
BORING  
DETAIL  
Des. By: BSM App. By: KLA Detail No. 23  
Old By: MDOB Date: 1-5-01

NOTE: THE DETAILS SHOWN HEREIN ARE FOR THE PURPOSE OF PRIVATE CONSTRUCTION ONLY. PUBLIC CONSTRUCTION WILL REQUIRE STRICT ADHERENCE TO THE DETAILS PUBLISHED BY DUCKETT CREEK AND ST. CHARLES COUNTY.

USER: M:\proj\TAB: SANITARY 9.3  
DATE: Jul 10, 2008 - 9:33am  
DRAWING: ST. CHARLES COUNTY SANITARY IMPROVEMENT PLANS PHASE 4D - URBAN CO. DETAILS.dwg

**REVISIONS**

NO.	DATE	BY	DESCRIPTION
1	9/10/08	A	ISSUE FOR BIDDING
2	7/20/08	A	REVISED

DEVELOPER/OWNER:  
THE JONES COMPANY HOMES, L.L.C.  
16640 CHESTERFIELD GROVE, SUITE 200  
CHESTERFIELD, MO 63005  
PHONE: (636) 637-7192

DESIGNED BY: JKW  
DRAWN BY: JKW  
CHECKED BY: JFH  
DATE: 4/9/08

Job Number: 08-0033  
Sheet Number: C9.3

PRESTON WOODS - PHASE 4  
IMPROVEMENT PLANS  
PRESTON WOODS LANE  
OF FALLON, MO. 63366  
SANITARY SEWER DETAILS

planning • engineering • surveying • landscape architecture  
**Cole** and ASSOCIATES INCORPORATED  
10777 sunset office dr.  
saint louis, missouri 63127  
p: 314 984 9887 f: 314 984 0587