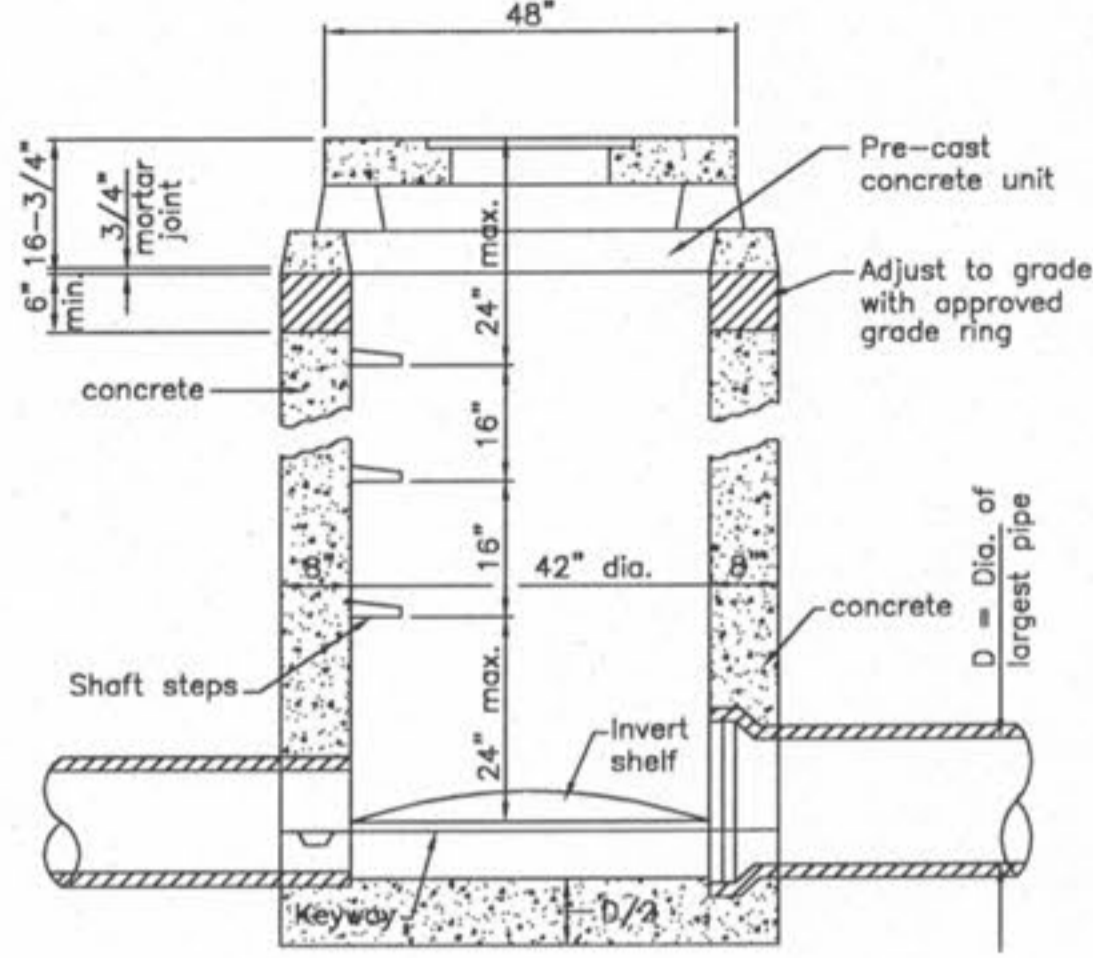
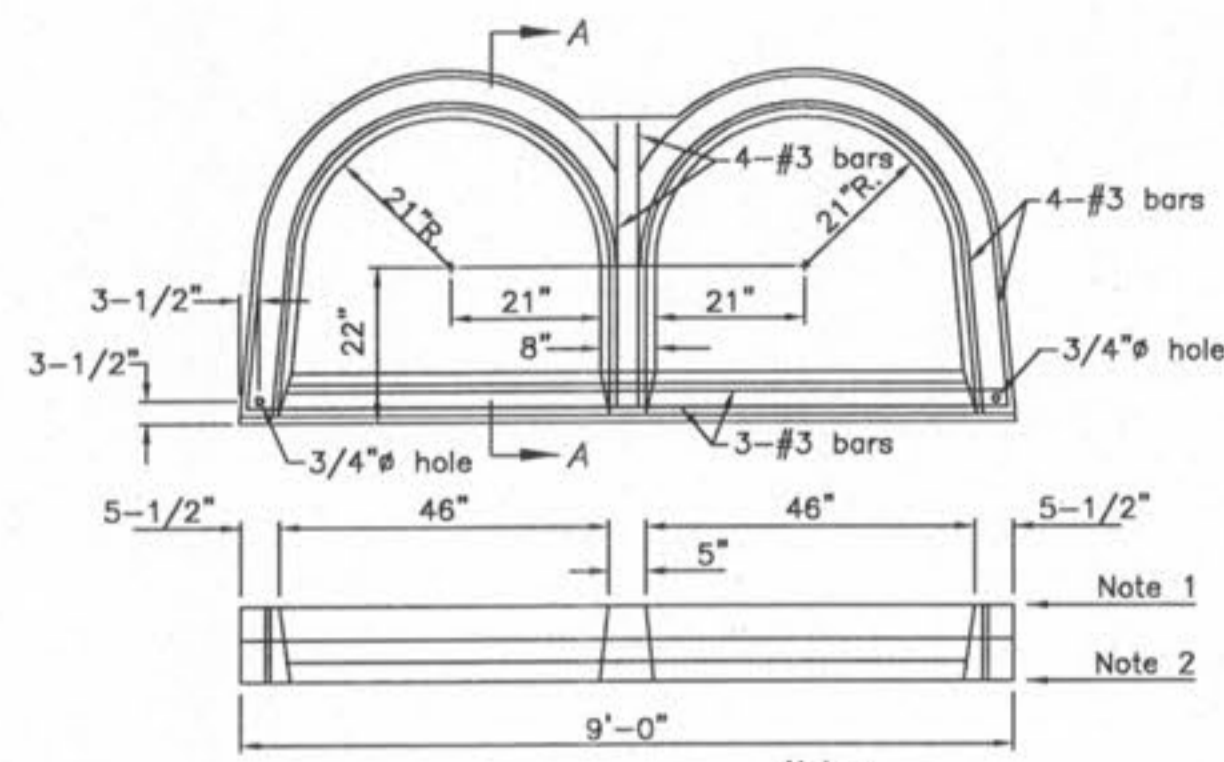


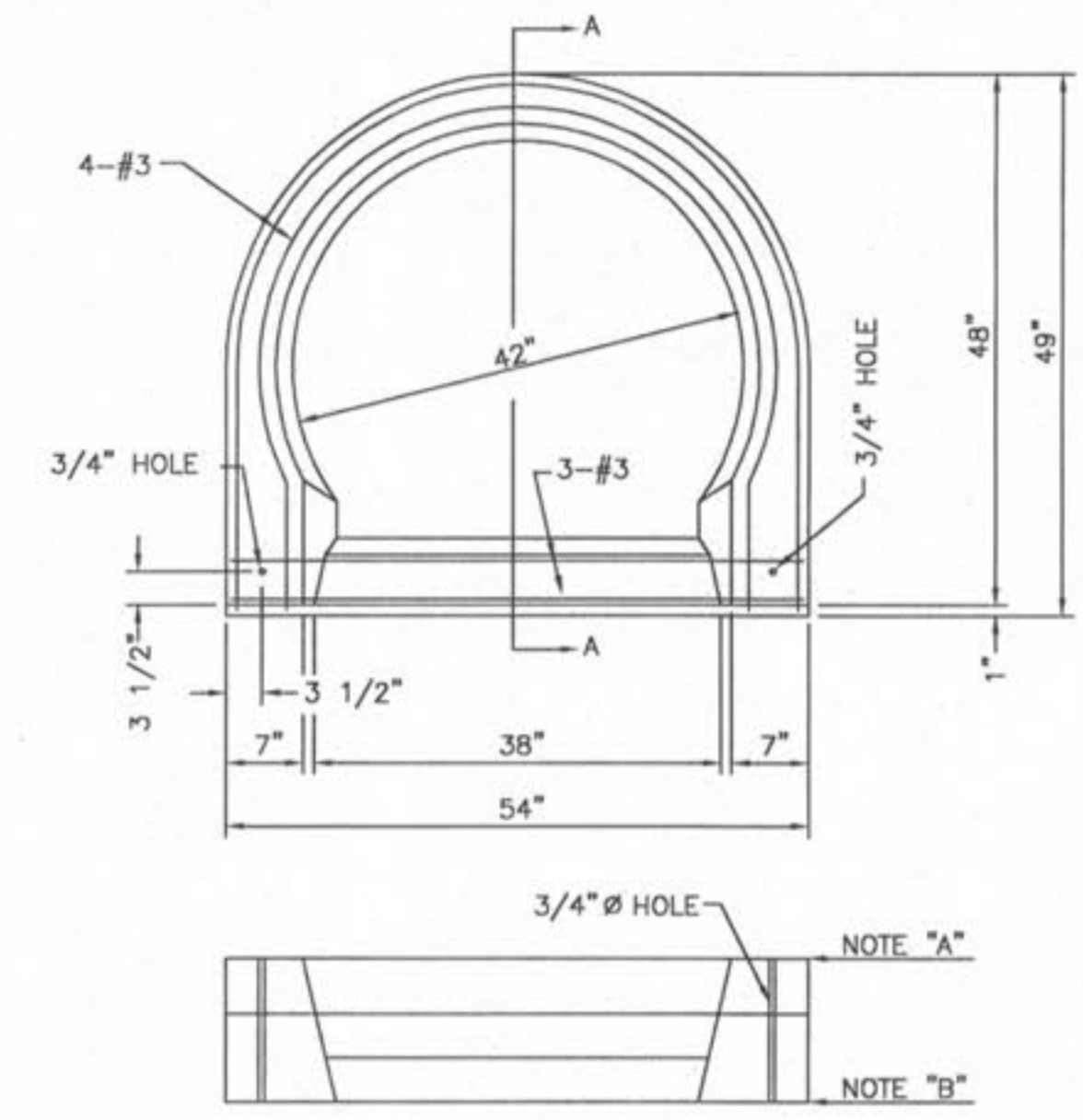
1 PIPE BEDDING CLASS "C" DETAIL
SCALE: N.T.S.



2 AREA INLET
SCALE: N.T.S.



3 DOUBLE CURB INLET
SCALE: N.T.S.



4 SINGLE CURB INLET DETAIL
SCALE: N.T.S.

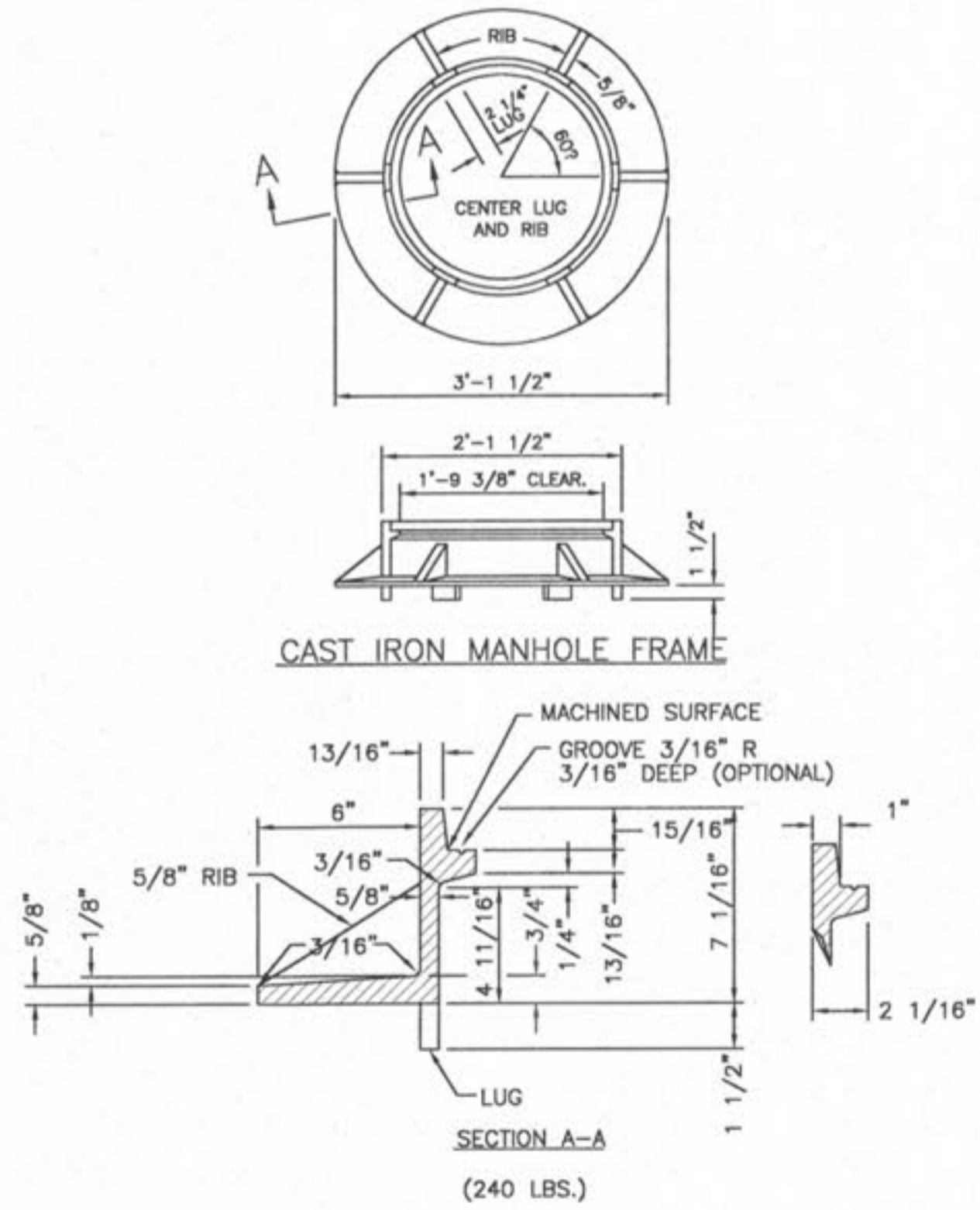
PRECAST CONCRETE STORMWATER STRUCTURES

MINIMUM DISTANCE FLOWLINE TO TOP OF STONE OR GRATE

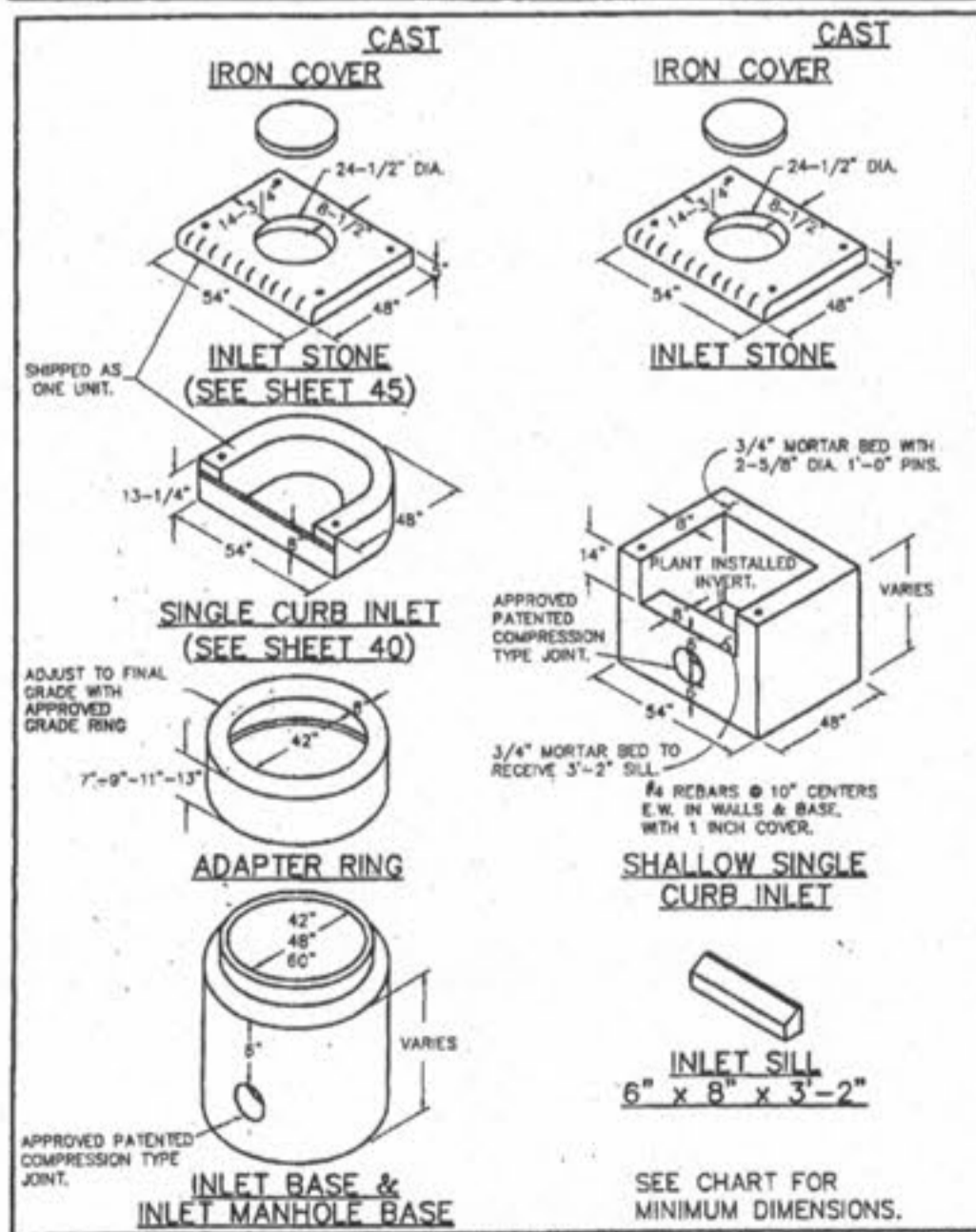
PIPE I.D. NOMINAL INCHES	AREA INLET CIRCULAR BASE DIA.			CULVERT INLET CIRCULAR BASE DIA. SQUARE CIRCULAR BASE DIA. RECTANGLE			SINGLE STREET INLET CIRCULAR BASE DIA. RECTANGLE		
	42"	48"	60"	42"	48"	60" (MAX.)	42"	48"	60" (MAX.)
12"	42"			36"			31"	48"	41"
15"	46"			41"			34"	51"	44"
18"	52"			44"			37"	58"	48"
21"	55"			47"			40"	58"	51"
24"		56"		51"			44"	61"	54"
27"			78"				NA		61" NA
30"			82"			74"	NA		65" NA
33"			85"			77"	NA		68" NA

NOTES:
1) 48" DIAMETER BASE REQUIRES 3" HIGH TRANSITION SECTION TO 42" DIAMETER, SIMILAR TO "ADAPTER RING" SHEET 35.
2) 60" DIAMETER BASE REQUIRES 24" HIGH CONCENTRIC REDUCER TRANSITION TO 42" DIAMETER, SIMILAR TO "ADAPTER RING" SHEET 35.
3) STANDARD DEPTH = 3/4" PIPE DIAMETER.

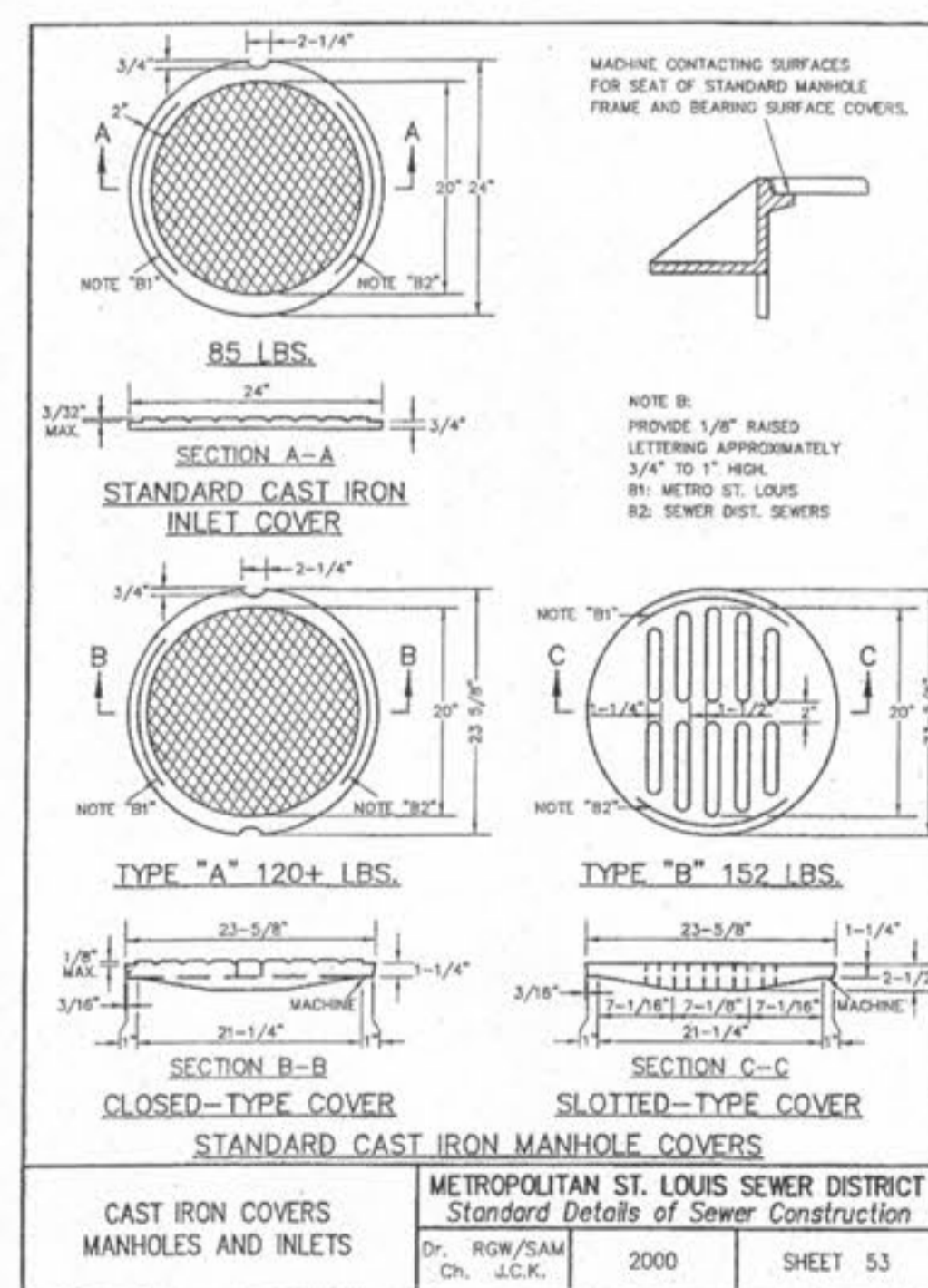
PRECAST CONCRETE STORMWATER STRUCTURES
METROPOLITAN ST. LOUIS SEWER DISTRICT
Standard Details of Sewer Construction
Dr. J.L.G. Ch. J.C.K. 2000 SHEET 34



3 CAST IRON MANHOLE FRAME DETAIL
SCALE: N.T.S.

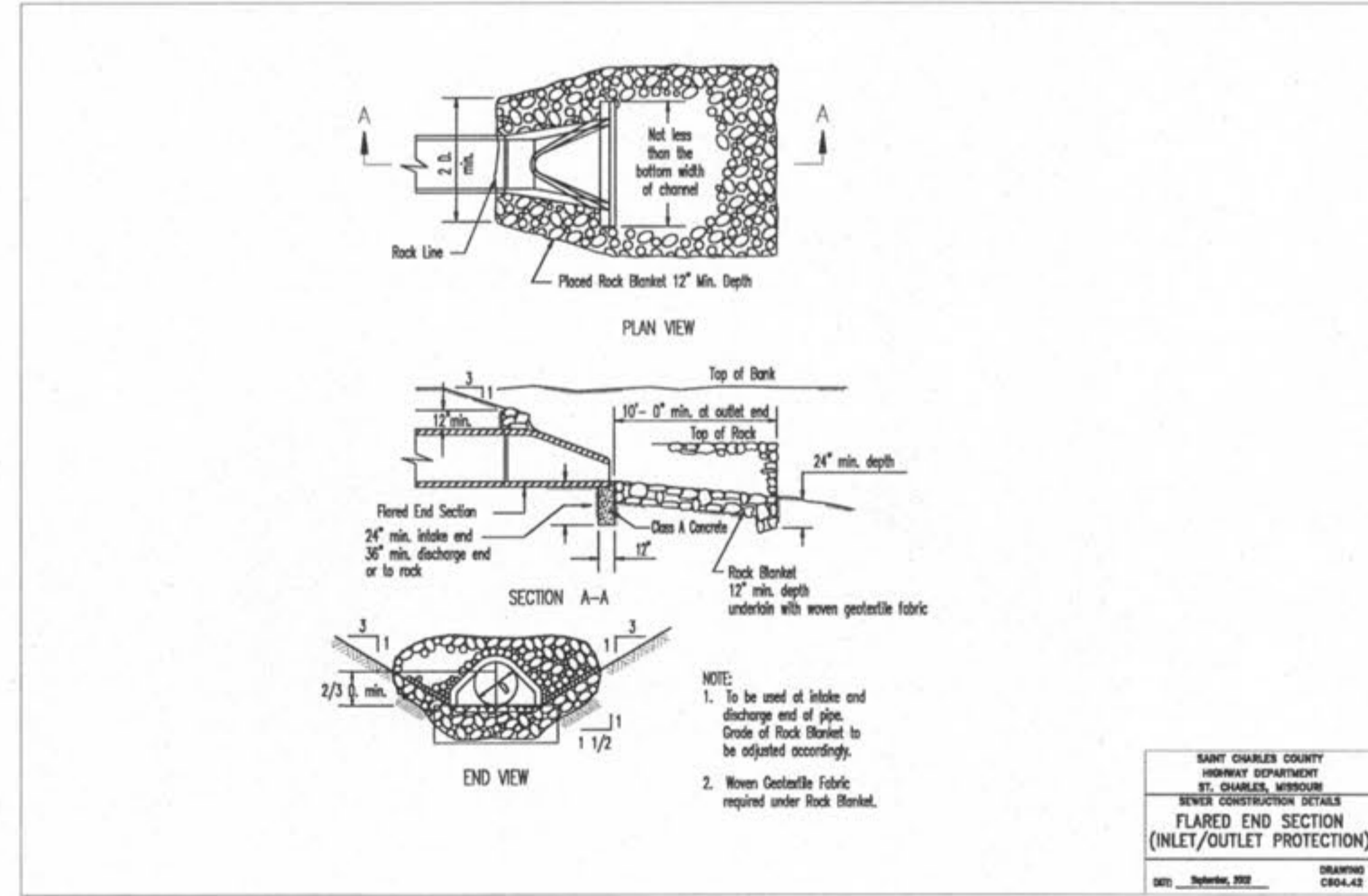


SINGLE STREET INLETS PRECAST CONCRETE
METROPOLITAN ST. LOUIS SEWER DISTRICT
Standard Details of Sewer Construction
Dr. J.L.G./SAM Ch. J.C.K. 2000 SHEET 37



CAST IRON COVERS MANHOLES AND INLETS
METROPOLITAN ST. LOUIS SEWER DISTRICT
Standard Details of Sewer Construction
Dr. R.G./SAM Ch. J.C.K. 2000 SHEET 53

A 5/8" TRASH BAR WILL BE INSTALLED AND CENTERED ACROSS ALL AREA INLET AND CURB INLET OPENINGS



SANITARIUM COUNTY
HEAVY DEPARTMENT
ST. CHARLES MISSOURI
SEWER CONSTRUCTION DETAILS
FLARED END SECTION
(INLET/OUTLET PROTECTION)
SHEET 08-0033

REVISIONS

NO.	DATE	BY	REASON
1	7/10/08	JKW	ISSUED FOR CONSTRUCTION

DEVELOPER/DRAWER:
THE JONES COMPANY HOMES, L.L.C.
16640 CHESTERFIELD GROVE, SUITE 200
CHESTERFIELD, MO 63005
PHONE: (636) 537-7192



PRESTON WOODS - PHASE 4
IMPROVEMENT PLANS
PRESTON WOODS LANE
OF FALLON, MO. 63366
STORM SEWER DETAILS

planning • engineering • surveying • landscape architecture
Cole and ASSOCIATES
INCORPORATED
10777 sunset office dr.
saint louis missouri 63127
p: 314 984 9887 f: 314 984 0587

DESIGNED BY: JKW
DRAWN BY: JKW
CHECKED BY: JFH
DATE: 4/9/08
Job Number: 08-0033
Sheet Number: C9.6