

IF WATER IS NOT AVAILABLE, A WATER TRUCK WILL BE PROVIDED.

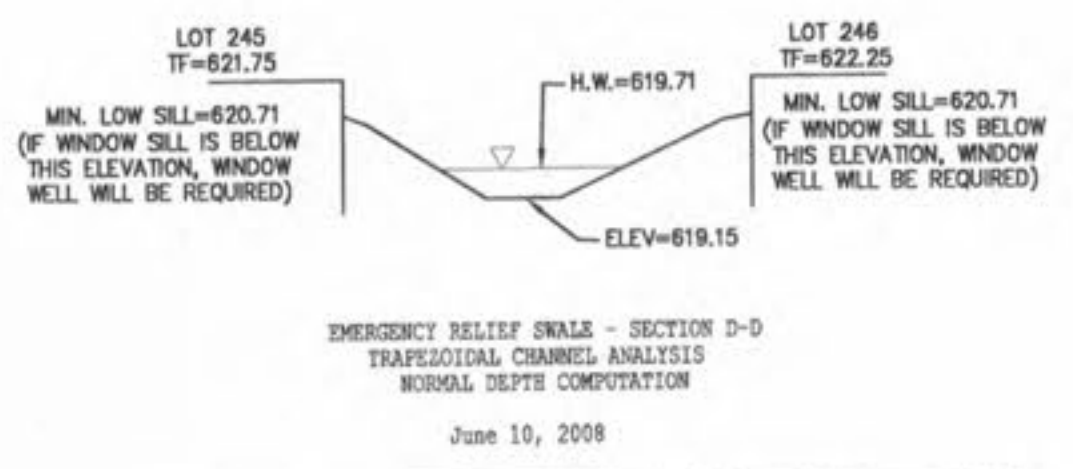
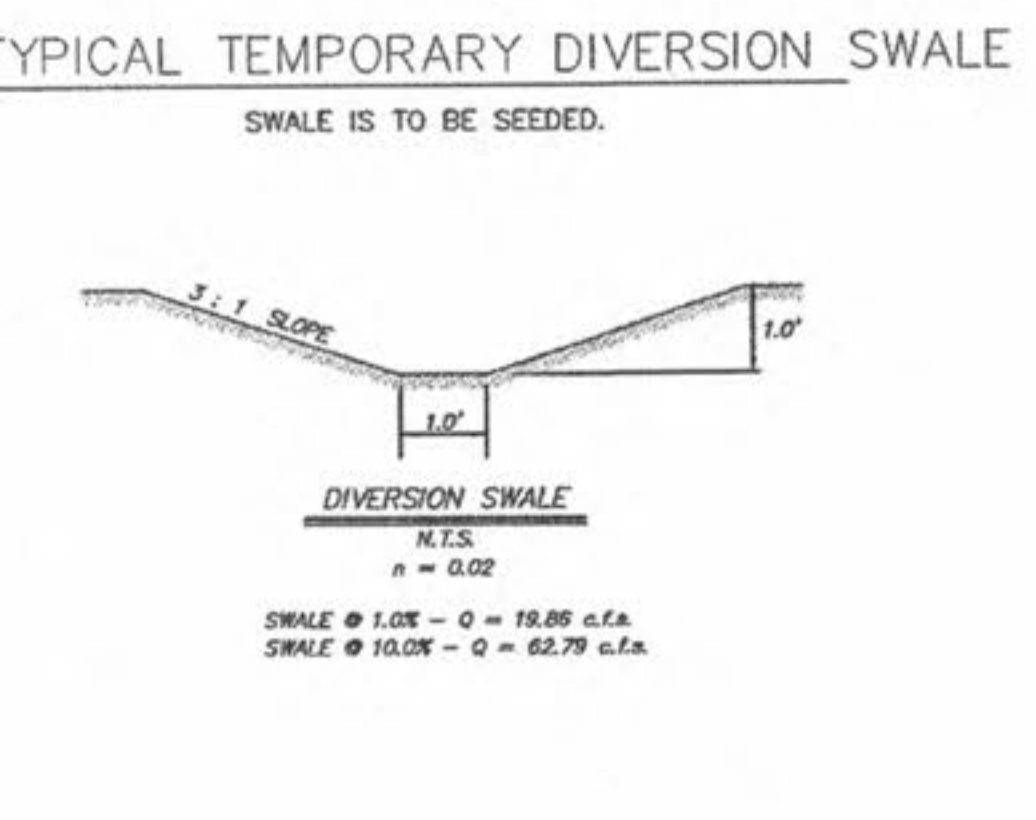
1.00% SLOPE
DEPTH = 0.71'

TRAPEZOIDAL CHANNEL ANALYSIS
NORMAL DEPTH COMPUTATION
TYPICAL YARD SWALE WITH 1% SLOPE

September 21, 2007

DESCRIPTION	PROGRAM INPUT DATA	VALUE
Flow Rate (cfs)	4.0	4.0
Channel Bottom Slope (ft/ft)	0.01	0.01
Manning's Roughness Coefficient (n-value)	0.027	0.027
Channel Left Side Slope (horizontal/vertical)	3.0	3.0
Channel Right Side Slope (horizontal/vertical)	3.0	3.0
Channel Bottom Width (ft)	0.01	0.01

DESCRIPTION	COMPUTATION RESULTS	VALUE
Normal Depth (ft)	0.71	0.71
Flow Velocity (fps)	2.66	2.66
Froude Number	0.789	0.789
Velocity Head (ft)	0.11	0.11
Energy Head (ft)	0.82	0.82
Cross-Sectional Area of Flow (sq ft)	1.50	1.50
Top Width of Flow (ft)	4.25	4.25



HYDROCAL Hydraulics for Windows, Version 1.2a Copyright (c) 1996
Dodson & Associates, Inc., 5629 FM 1960 West, Suite 314, Houston, TX 77069
Phone: (281) 440-3787, Fax: (281) 440-4742, Email: software@dodson-hydro.com
All Rights Reserved.

LOT 258
TF=822.00

LOT 257
TF=821.75

H.W.=619.49

ELEV=619.15

EMERGENCY RELIEF SWALE - SECTION E-E
TRAPEZOIDAL CHANNEL ANALYSIS
NORMAL DEPTH COMPUTATION

April 8, 2008

DESCRIPTION	PROGRAM INPUT DATA	VALUE
Flow Rate (cfs)	1.48	1.48
Channel Bottom Slope (ft/ft)	0.02	0.02
Manning's Roughness Coefficient (n-value)	0.035	0.035
Channel Left Side Slope (horizontal/vertical)	3.0	3.0
Channel Right Side Slope (horizontal/vertical)	3.0	3.0
Channel Bottom Width (ft)	1.0	1.0

DESCRIPTION	COMPUTATION RESULTS	VALUE
Normal Depth (ft)	0.34	0.34
Flow Velocity (fps)	2.18	2.18
Froude Number	0.81	0.81
Velocity Head (ft)	0.07	0.07
Energy Head (ft)	0.41	0.41
Cross-Sectional Area of Flow (sq ft)	0.69	0.69
Top Width of Flow (ft)	3.03	3.03

LOT 232
TF=818.15

LOT 231
TF=818.00

H.W.=615.94

ELEV=615.35

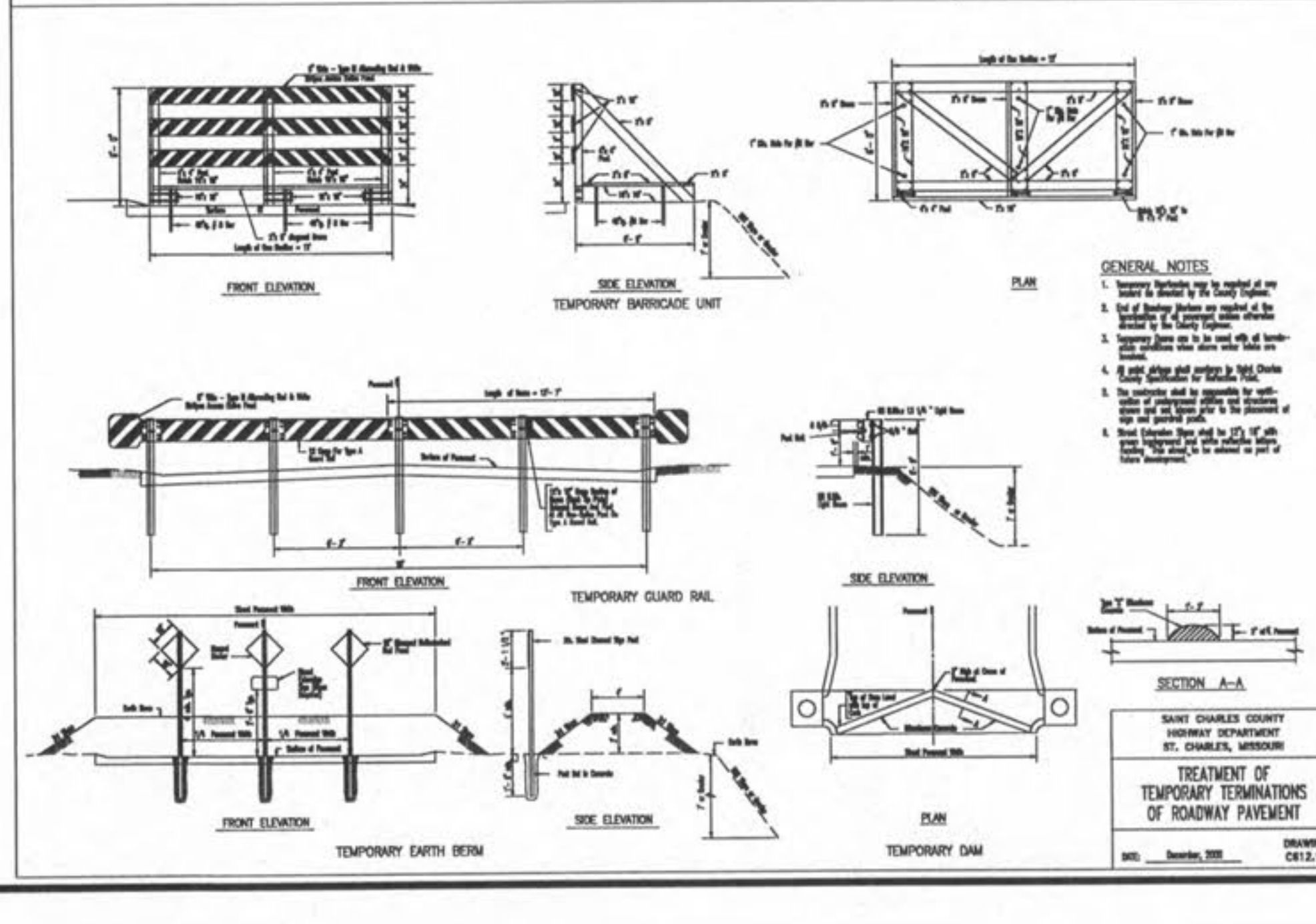
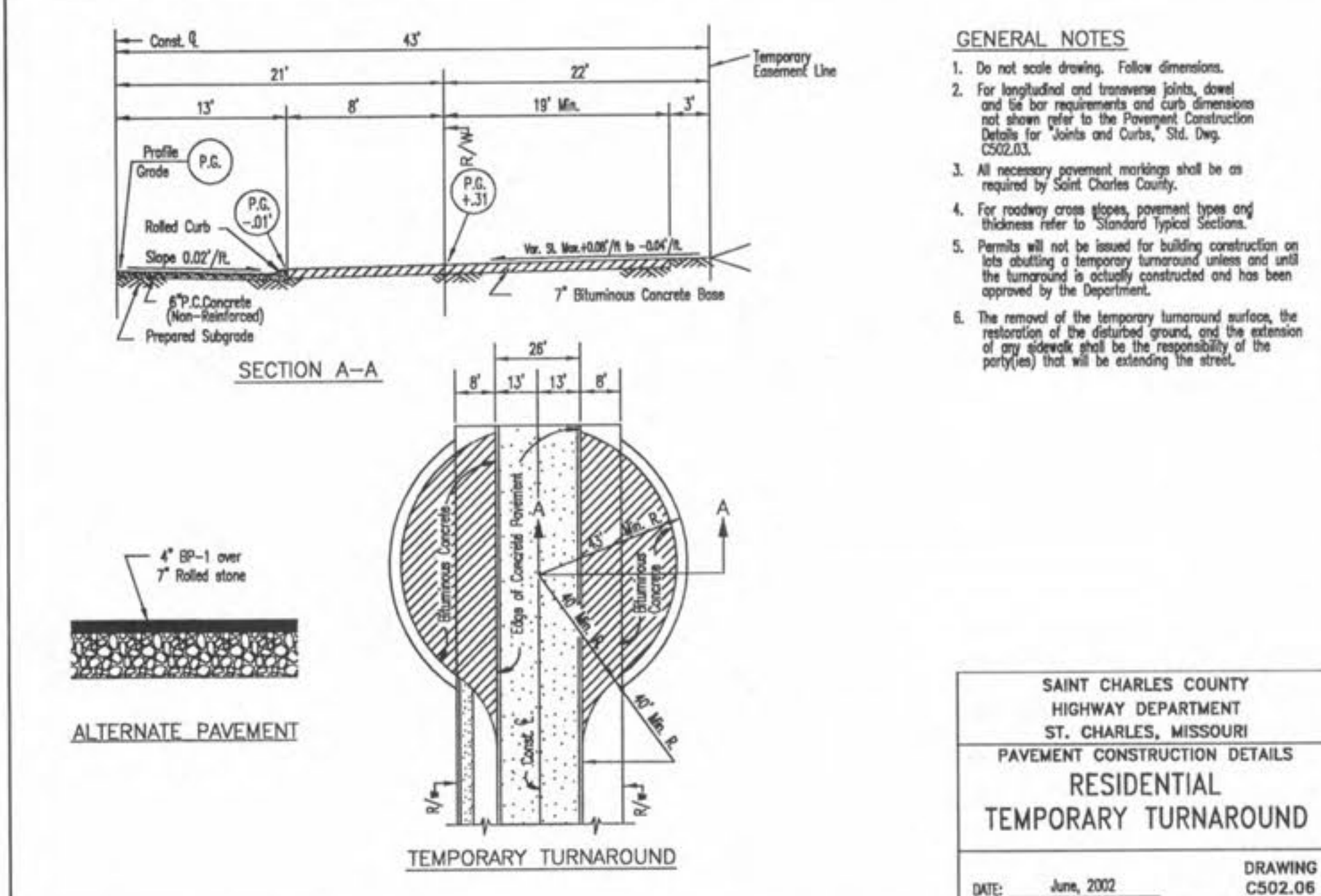
EMERGENCY RELIEF SWALE - SECTION H-H
TRAPEZOIDAL CHANNEL ANALYSIS
NORMAL DEPTH COMPUTATION

June 10, 2008

DESCRIPTION	PROGRAM INPUT DATA	VALUE
Flow Rate (cfs)	4.76	4.76
Channel Bottom Slope (ft/ft)	0.02	0.02
Manning's Roughness Coefficient (n-value)	0.035	0.035
Channel Left Side Slope (horizontal/vertical)	3.0	3.0
Channel Right Side Slope (horizontal/vertical)	3.0	3.0
Channel Bottom Width (ft)	1.0	1.0

DESCRIPTION	COMPUTATION RESULTS	VALUE
Normal Depth (ft)	0.59	0.59
Flow Velocity (fps)	2.94	2.94
Froude Number	0.87	0.87
Velocity Head (ft)	0.13	0.13
Energy Head (ft)	0.72	0.72
Cross-Sectional Area of Flow (sq ft)	1.62	1.62
Top Width of Flow (ft)	4.52	4.52

HYDROCAL Hydraulics for Windows, Version 1.2a Copyright (c) 1996
Dodson & Associates, Inc., 5629 FM 1960 West, Suite 314, Houston, TX 77069
Phone: (281) 440-3787, Fax: (281) 440-4742, Email: software@dodson-hydro.com
All Rights Reserved.



REVISIONS

NO.	DATE	DESCRIPTION
1	6/10/08	ISSUE FOR PERMITS
2	7/10/08	ISSUE FOR PERMITS

DEVELOPER/OWNER:
THE JONES COMPANY HOMES, L.L.C.
16640 CHESTERFIELD GROVE, SUITE 200
CHESTERFIELD, MO 63005
PHONE: (636) 537-7192

THE PROFESSIONAL ENGINEER'S SEAL AND SIGNATURE ARE REQUIRED TO APPEAR HEREON. ANY OTHER PERSONS OR FIRMS ASSOCIATED WITH THIS PROJECT SHALL BE RESPONSIBLE FOR THE ACCURACY OF THE INFORMATION PROVIDED. THE ENGINEER'S SIGNATURE AND SEAL SHALL BE VALID FOR ALL OTHER PLANS, SPECIFICATIONS, ESTIMATES, REPORTS, OR OTHER DOCUMENTS OR INSTRUMENTS NOT IDENTIFIED HEREON. THE ENGINEER'S SIGNATURE AND SEAL SHALL BE VALID FOR THE PROJECT TO WHICH THIS SEAL IS APPLIED.

SAINT CHARLES COUNTY
REGISTERED PROFESSIONAL ENGINEER
JOHN F. WALKER
No. 000000000
E-29716

PRESTON WOODS - PHASE 4
IMPROVEMENT PLANS
PRESTON WOODS LANE
O'FALLON, MO. 63366

SITE DETAILS

planning • engineering • surveying • landscape architecture

Cole
and ASSOCIATES
INCORPORATED

10777 sunset office dr.
saint louis, missouri 63127
p. 314 984 9887 f. 314 984 0587

DESIGNED BY
JKW

DRAWN BY
JKW

CHECKED BY
JFH

DATE
4/9/08

Job Number
08-0033

Sheet Number
C9.9

USER: M:\proj\TAB SITE DETAIL SHEET 9.9
DATE: Jul 10, 2008 9:36am
DRAWING: S:\VCS\Sub\2008\08-0033\08-0033.dwg IMPROVEMENT PLANS PHASE 4\0_Plan_C9.9.DETAILS.dwg