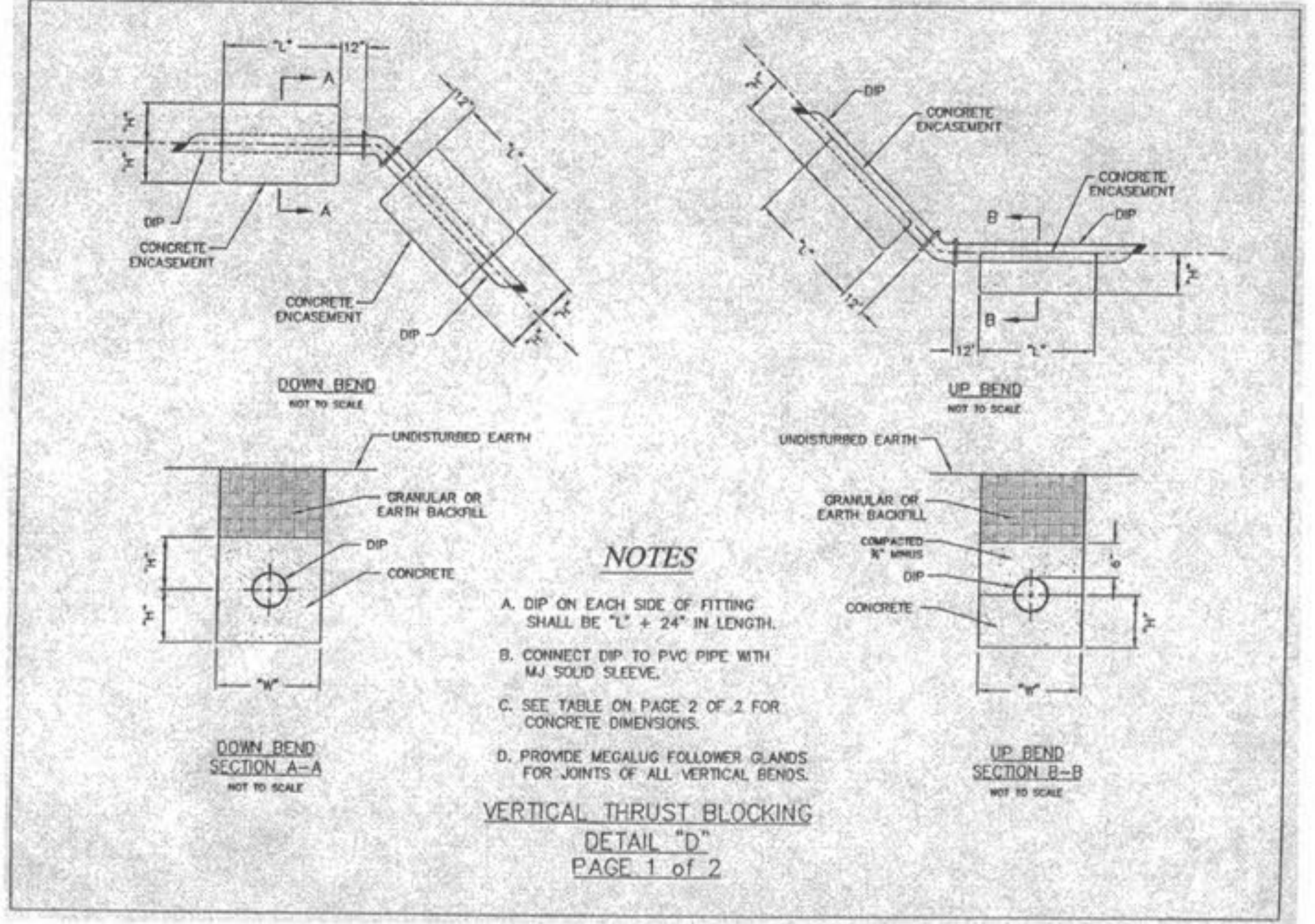
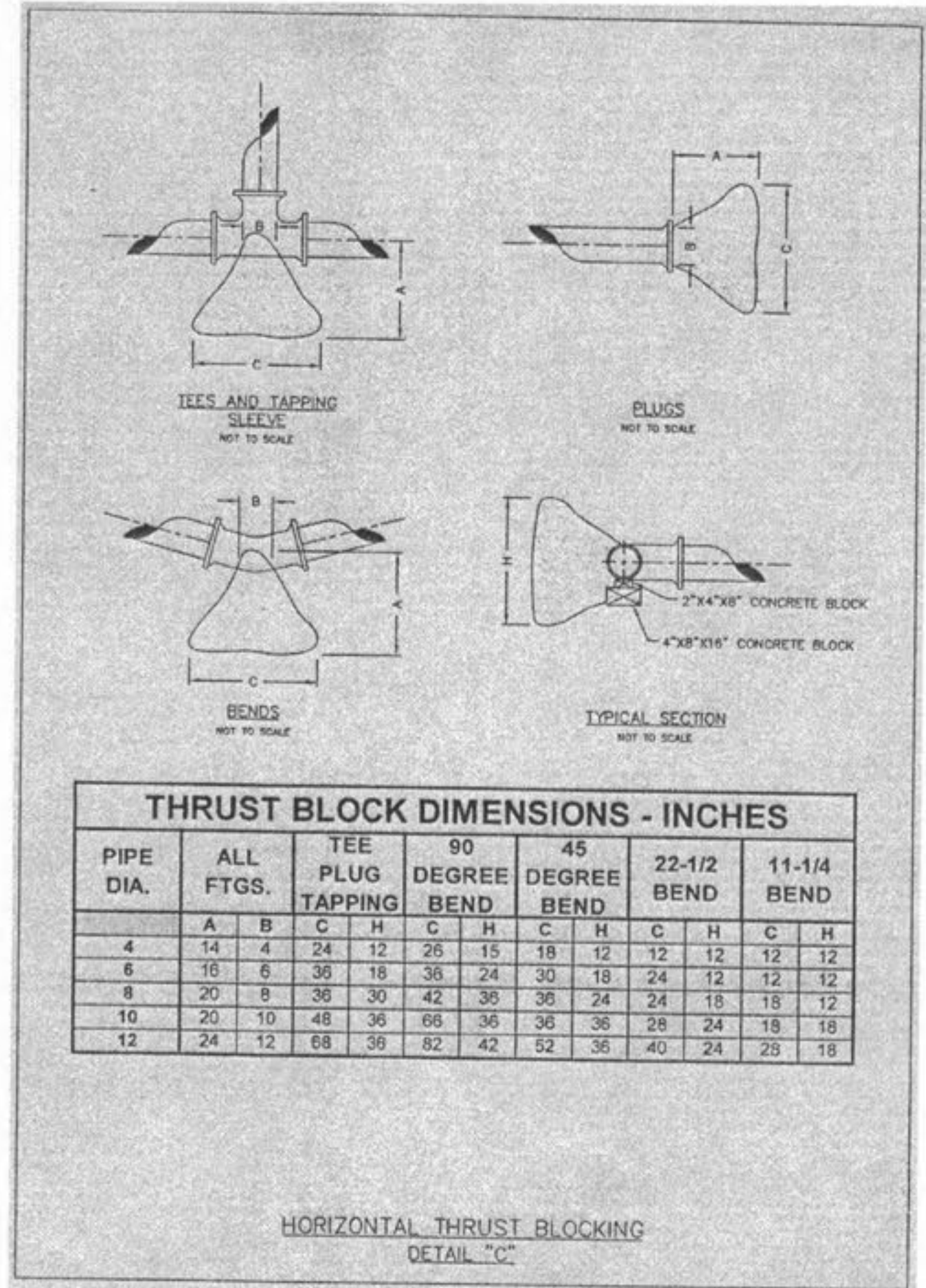
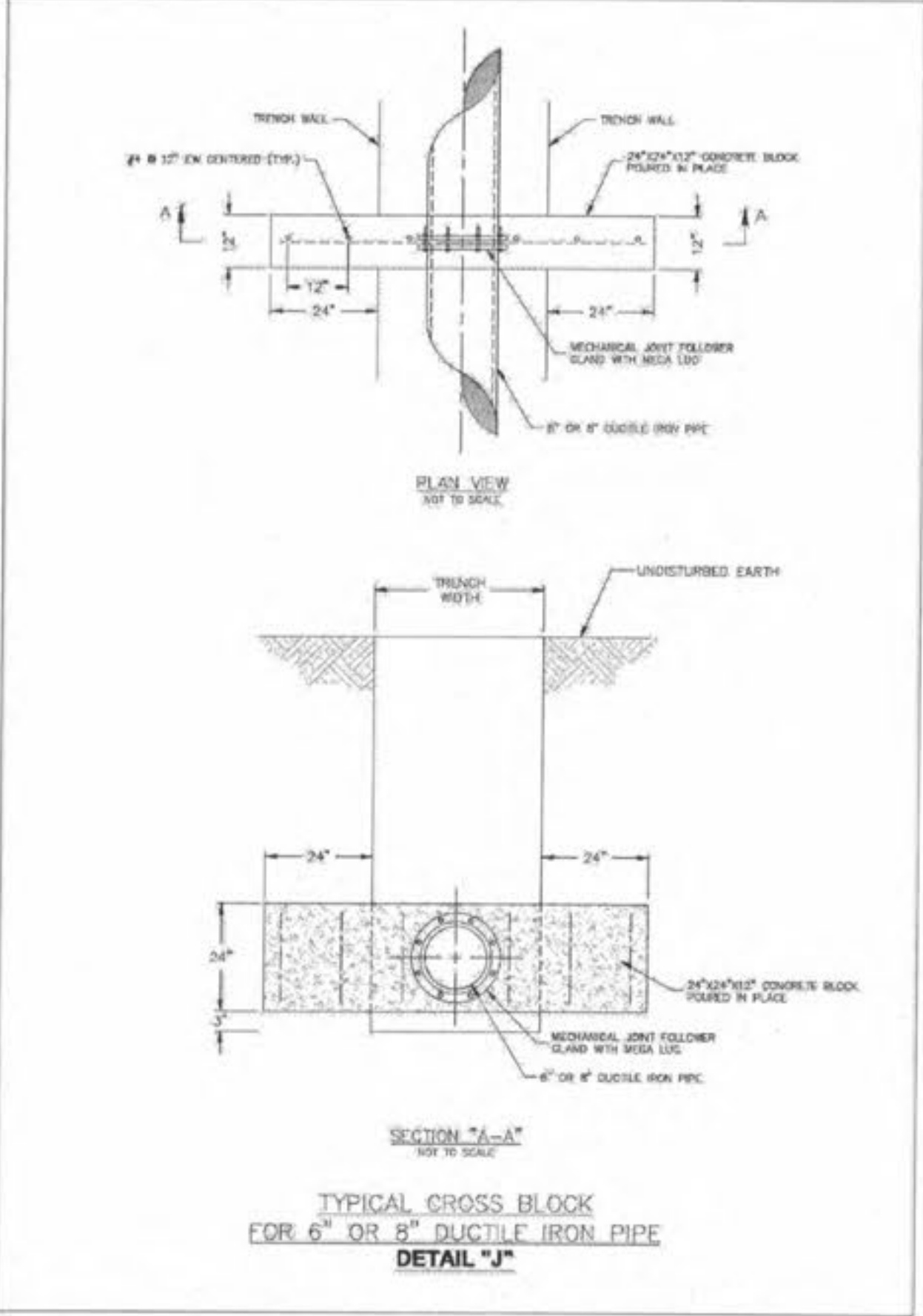
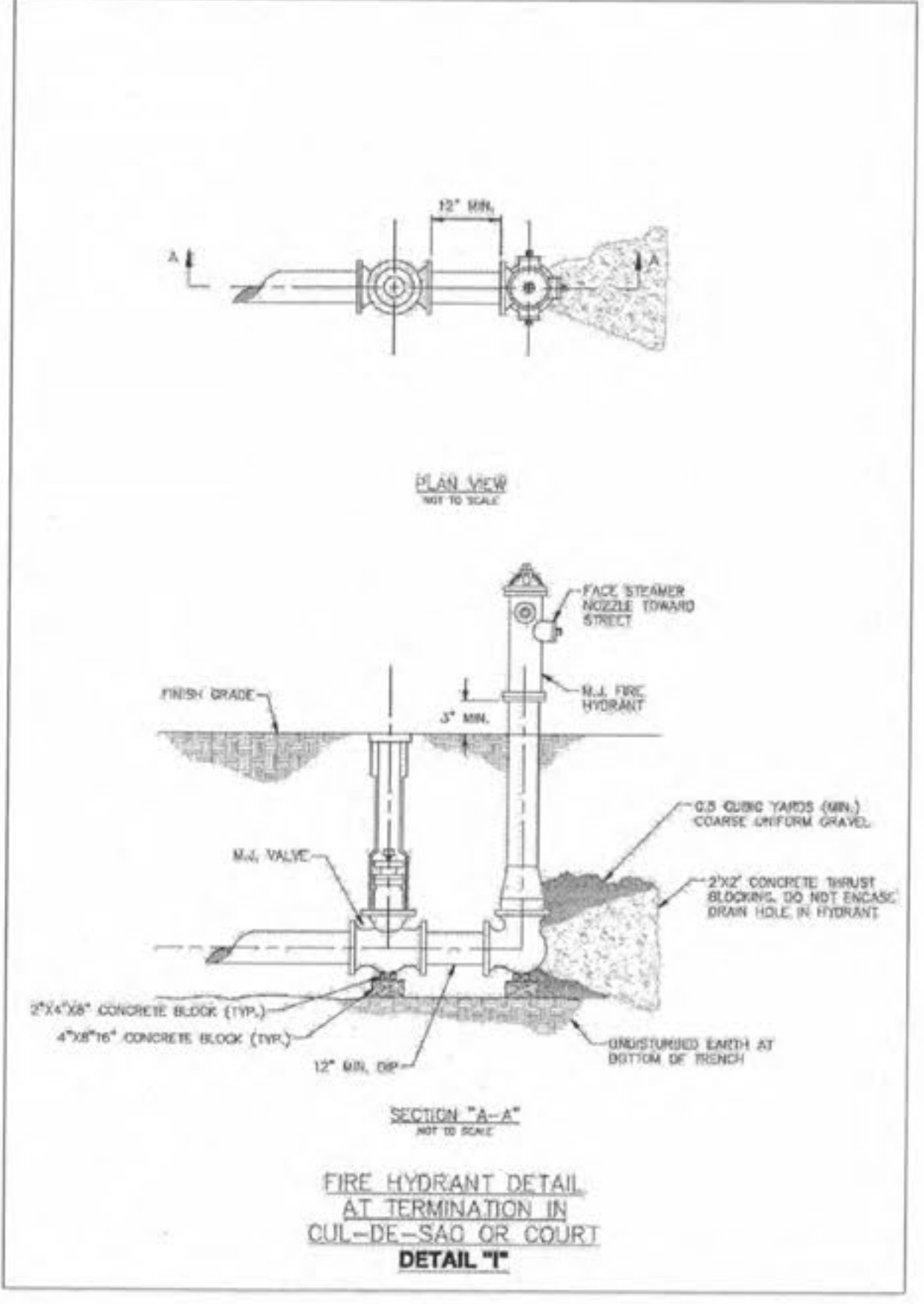
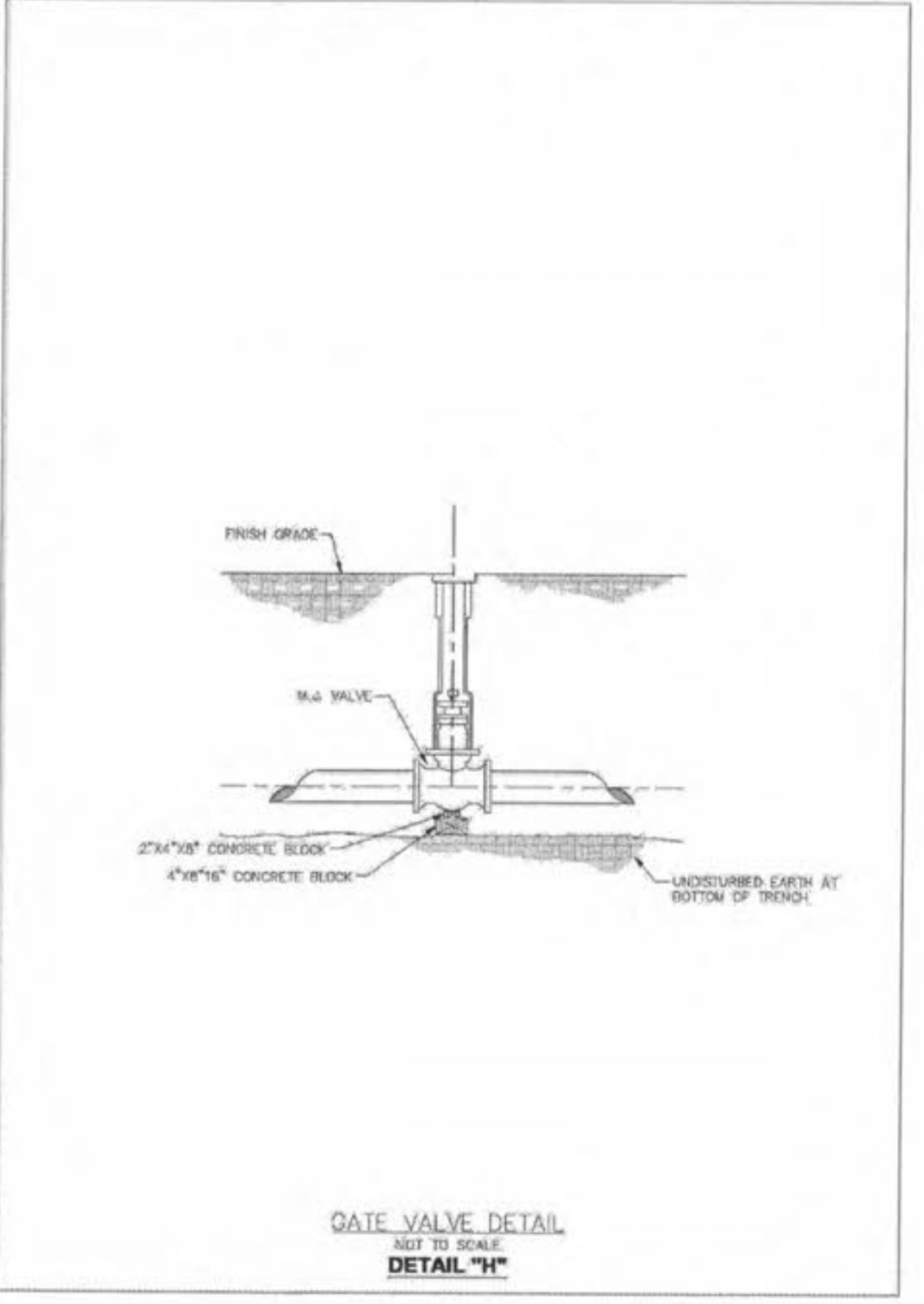


USER: Wilson FAB: WATER DETAIL 9.12
 DATE: JUN 01, 2008 - 10:00am
 DRAWING: S:\0805\080508\08-0033\08-0033.dwg IMPROVEMENT PLANS PHASE 4\0_PLAN_CR00_DETAILS.dwg



CONCRETE DIMENSIONS FOR VERTICAL BENDS (IN INCHES)
DETAIL "D"
PAGE 2 of 2

PIPE SIZE	DEGREE BEND	DOWN BENDS			UP BENDS		
		W	H	L	W	H	L
4"	11 1/4"	18	12	18	12	12	12
	22 1/2"	18	18	24	12	12	12
	45	18	18	30	12	12	18
6"	11 1/4"	24	18	18	12	12	12
	22 1/2"	24	18	24	12	12	12
	45	24	18	48	12	12	18
8"	11 1/4"	24	18	24	12	12	18
	22 1/2"	24	18	42	12	12	24
	45	24	18	48	18	12	24
10"	11 1/4"	30	24	24	18	18	18
	22 1/2"	30	24	42	18	18	24
	45	30	24	72	18	18	36
12"	11 1/4"	30	24	30	18	18	18
	22 1/2"	30	24	54	18	18	30
	45	30	36	72	24	18	36



REVISIONS

NO.	DATE	BY	DESCRIPTION
1	6/1/08	JFK	ISSUED FOR PERMITS
2	6/1/08	JFK	ISSUED FOR PERMITS

DEVELOPER/OWNER:
THE JONES COMPANY HOMES, L.L.C.
 16640 CHESTERFIELD GROVE, SUITE 200
 CHESTERFIELD, MO 63005
 PHONE: (636) 537-7192

DESIGNED BY: JKW
 DRAWN BY: JKW
 CHECKED BY: JFH
 DATE: 4/9/08
 Job Number: 08-0033
 Sheet Number: C9.12

PRESTON WOODS - PHASE 4
 IMPROVEMENT PLANS
 PRESTON WOODS LANE
 O'FALLON, MO. 63366
WATER DETAILS

planning • engineering • surveying • landscape architecture
Cole and ASSOCIATES INCORPORATED
 10777 sunset office dr.
 saint louis, missouri 63127
 p. 314.964.9887 f. 314.964.0587