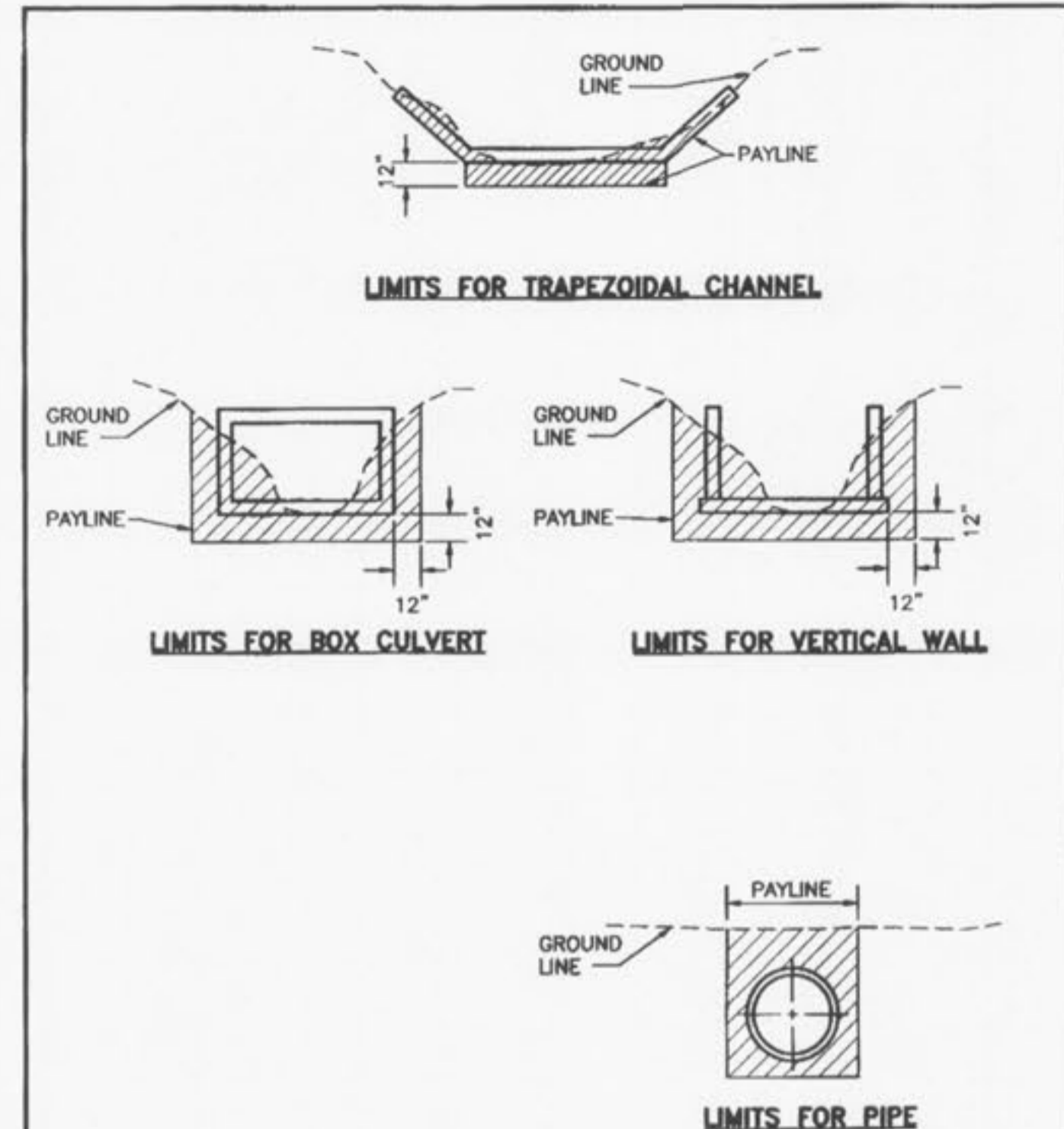


ROUND PIPE				HORIZONTAL ELLIPTICAL PIPE			
INSIDE DIAMETER OF PIPE (INCHES)	"W" PAYLINE WIDTH OF TRENCH (INCHES)	"W" PAYLINE WIDTH OF TRENCH (FEET)	PAY-VOLUMES CU. FT. PER FT. CONCRETE ENCASEMENT	INSIDE DIAMETER OF PIPE (INCHES)	"W" PAYLINE WIDTH OF TRENCH (INCHES)	"W" PAYLINE WIDTH OF TRENCH (FEET)	PAY-VOLUMES CU. FT. PER FT. CONCRETE ENCASEMENT
4	30	2.50	3.28				
6	30	2.50	3.59				
8	30	2.50	3.87				
10	30	2.50	4.09				
12	30	2.50	4.25				
15	36	3.00	5.55				
18	36	3.00	5.77	14 x 23	41	3.42	5.94
21	39	3.25	6.61				
24	42	3.50	7.39	19 x 30	49	4.08	7.68
27	45	3.75	8.18	22 x 34	53	4.42	8.61
30	49	4.08	9.30	24 x 38	58	4.83	9.70
33	53	4.42	10.53	27 x 42	62	5.17	10.71
36	56	4.67	11.43	29 x 45	66	5.50	11.72
39	DISCONTINUED			32 x 49	71	5.92	13.14
42	63	5.25	13.38	34 x 53	75	6.25	14.05
48	70	5.83	15.67	38 x 60	83	6.92	16.18
54	77	6.42	18.15	43 x 68	92	7.67	18.81
60	84	7.00	20.73	48 x 76	101	8.42	21.59
66	91	7.58	23.45	53 x 83	109	9.08	24.35
72	98	8.17	26.37	58 x 91	118	9.83	27.45
78	105	8.75	29.39	63 x 98	126	10.50	30.50
84	112	9.33	32.57	68 x 106	135	11.25	33.91
90	119	9.92	35.90	72 x 113	143	11.92	36.99
96	126	10.50	39.37	77 x 121	152	12.67	40.69
102	133	11.08	42.99	82 x 128	160	13.33	44.45
108	140	11.67	46.75	87 x 136	168	14.00	47.79
114	147	12.25	50.66	92 x 143	176	14.67	51.70
120	154	12.83	54.72	97 x 151	185	15.42	56.01
126	161	13.42	58.92				
132	168	14.00	63.27	106 x 166	202	16.83	64.48
144	182	15.17	72.40	116 x 180	218	18.17	73.59

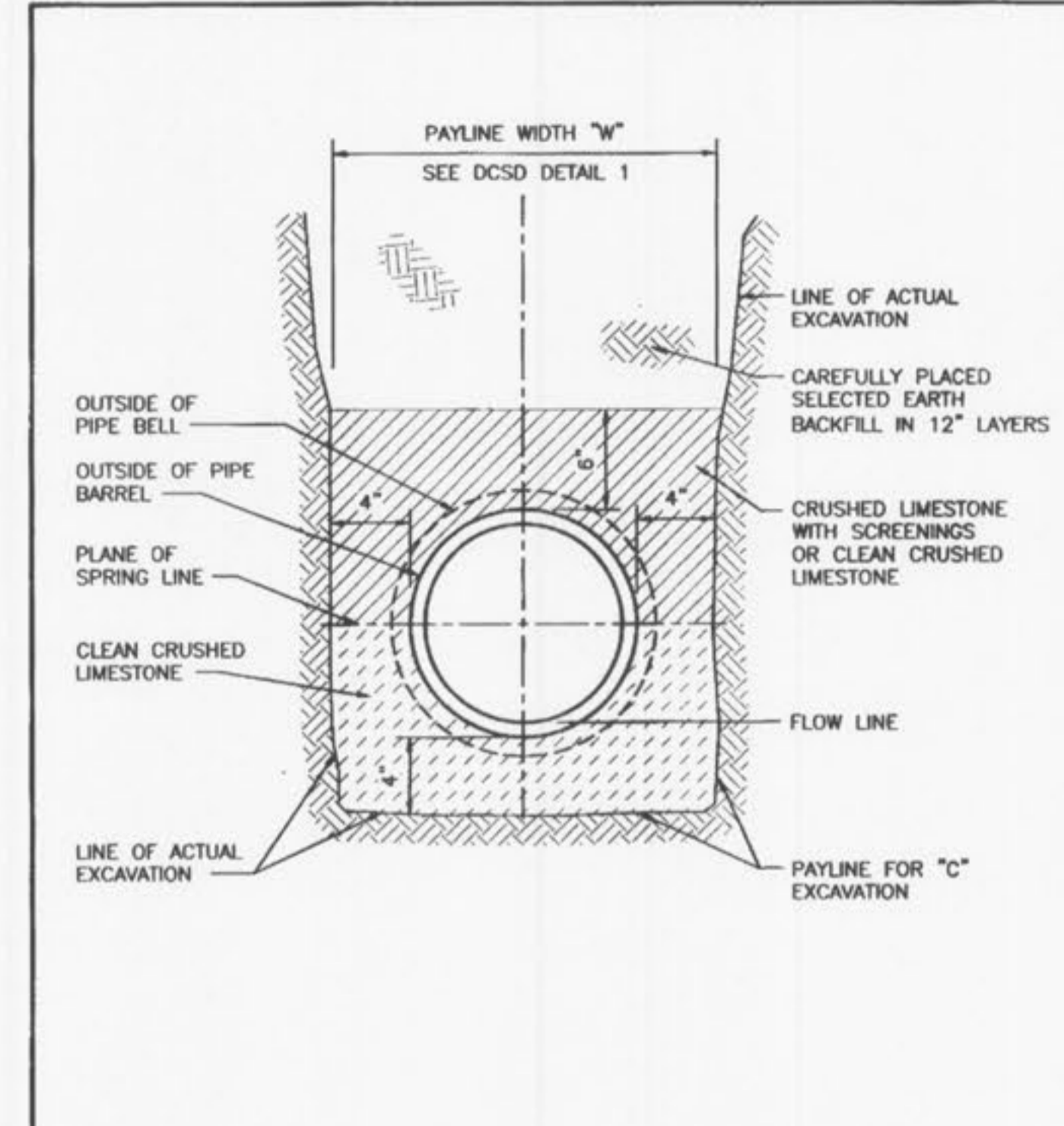
Duckett Creek Sanitary District
PAYLINE WIDTHS OF TRENCH AND PAY-QUANTITIES OF CONCRETE

Drawn By: BSM	App. By: KLA	Detail No. 1
Checked By: MDOB	Date: 12-21-99	



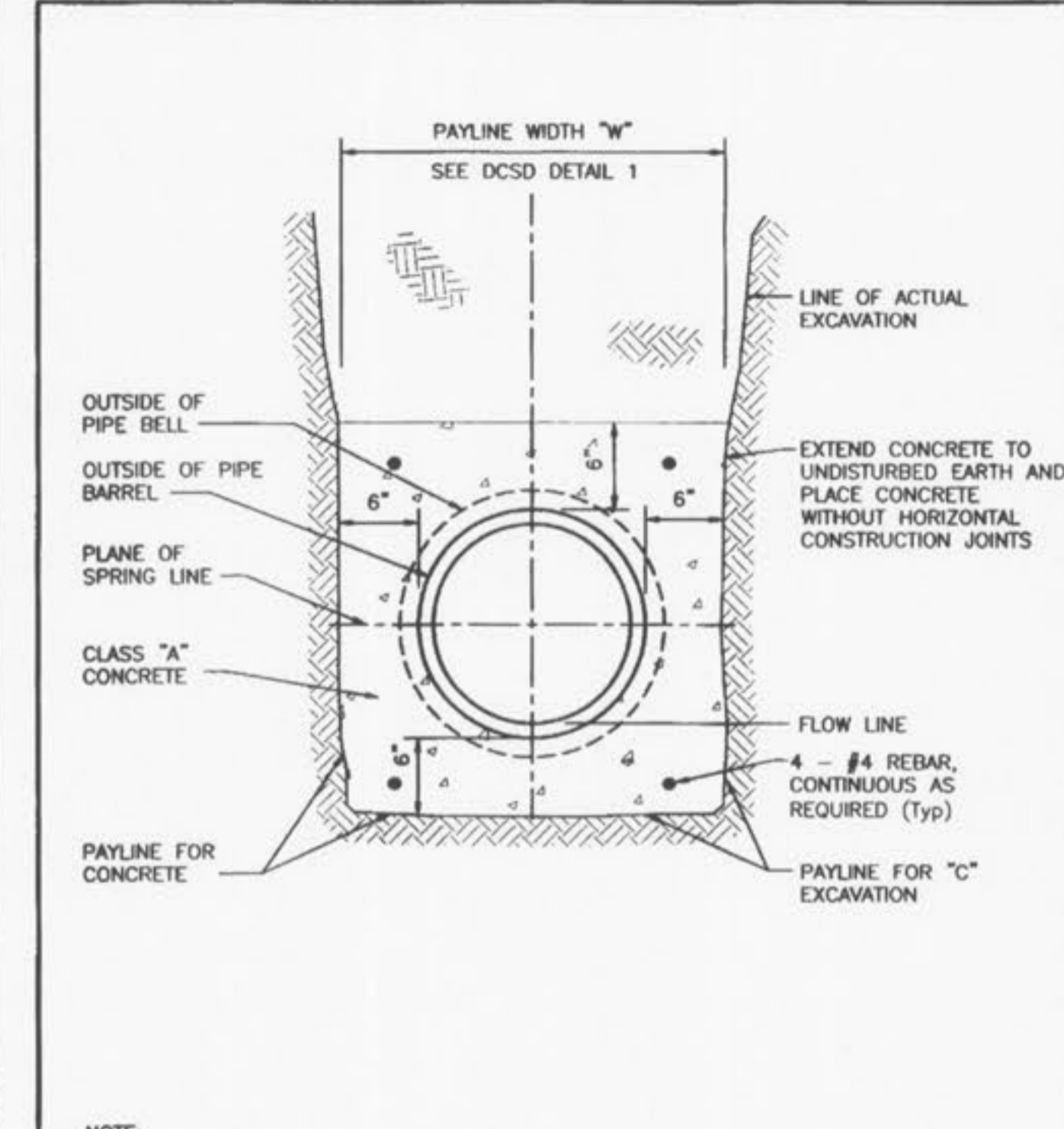
Duckett Creek Sanitary District
PAYLINE LIMITS FOR EXCAVATION

Drawn By: BSM	App. By: KLA	Detail No. 2
Checked By: MDOB	Date: 12-21-99	



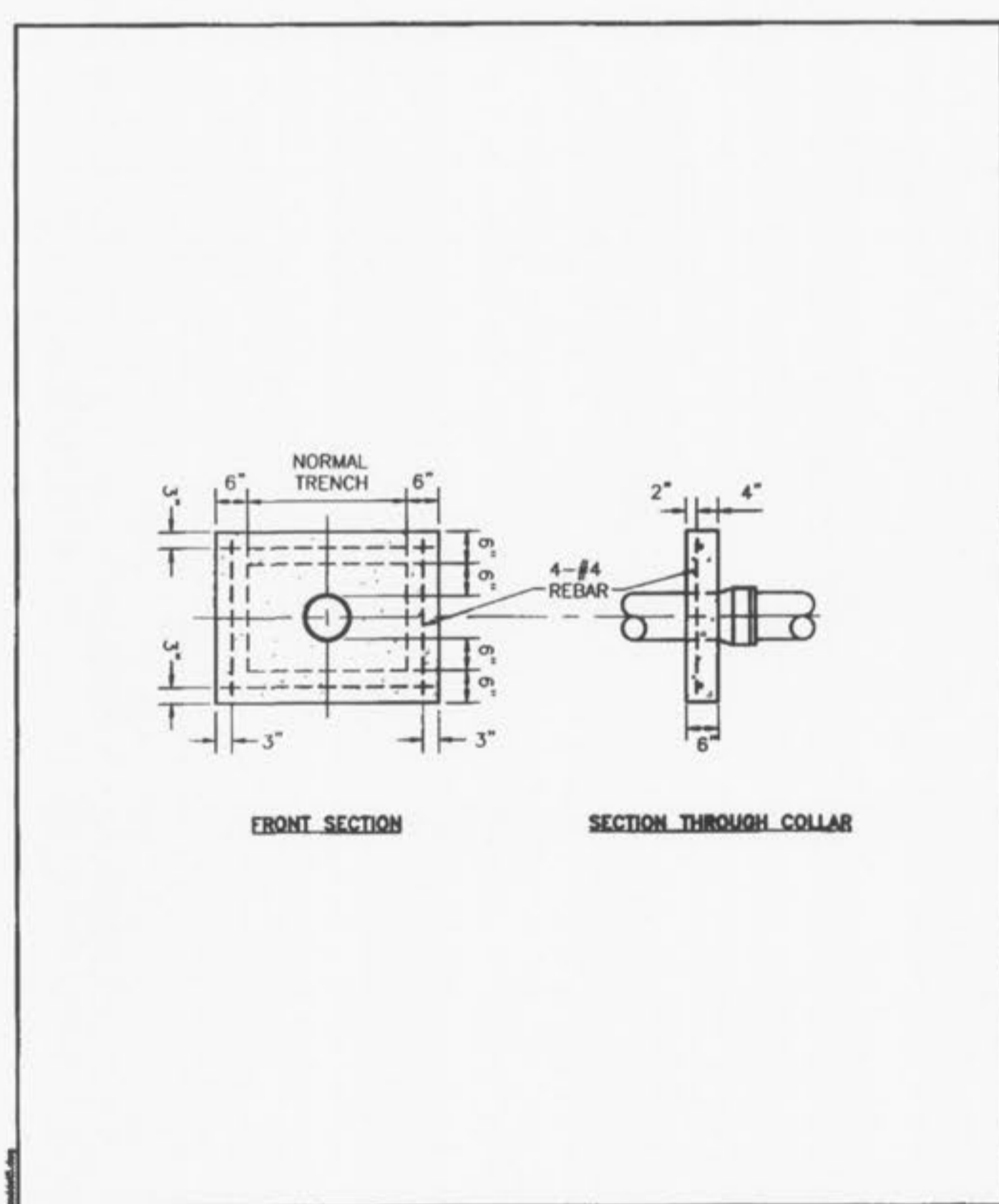
Duckett Creek Sanitary District
PIPE BEDDING CLASS "C" (FOR ALL PIPE EXCEPT REINFORCED CONCRETE PIPE)

Drawn By: BSM	App. By: KLA	Detail No. 3
Checked By: MDOB	Date: 12-21-99	



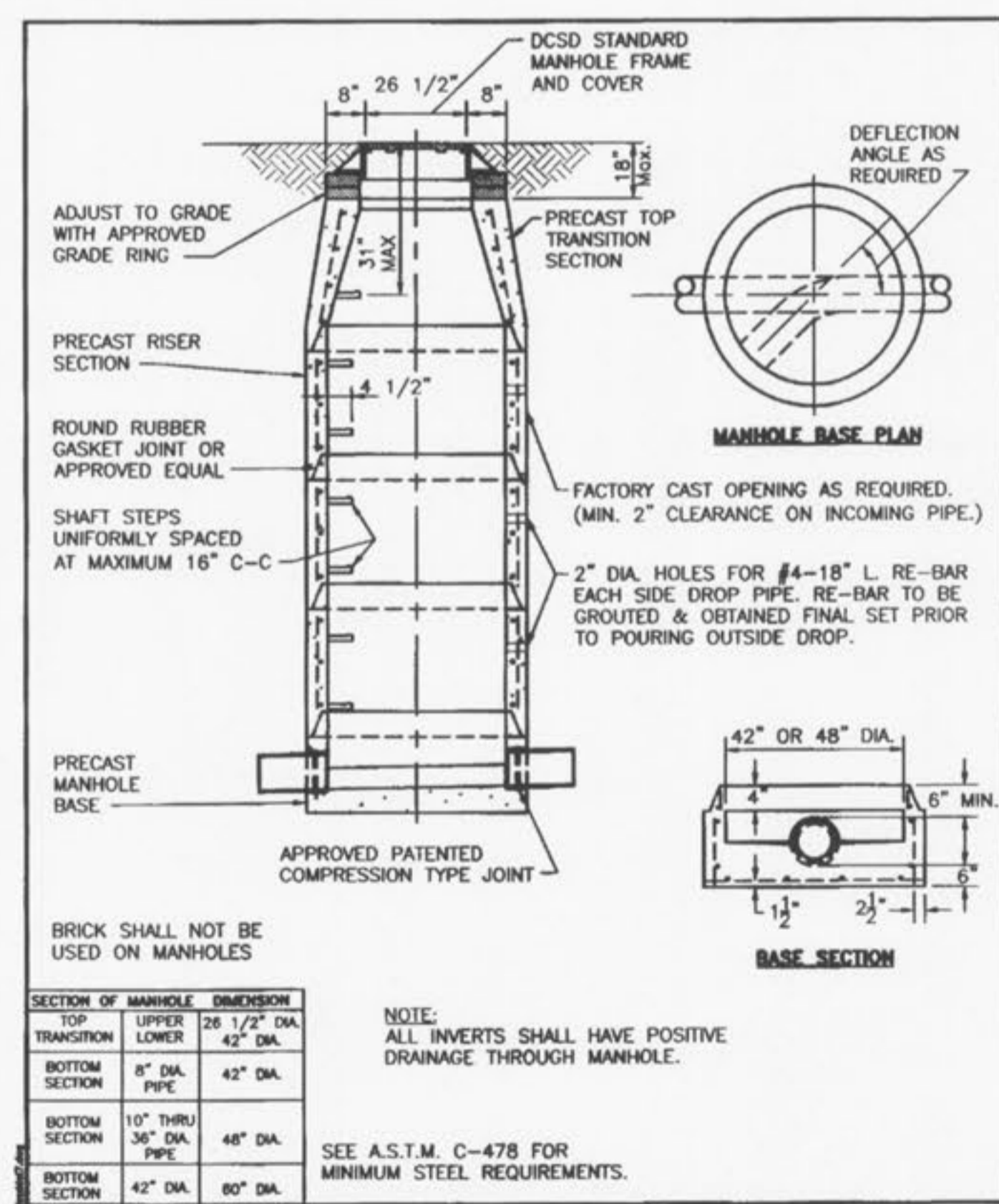
Duckett Creek Sanitary District
TYPICAL CONCRETE ENCASEMENT

Drawn By: BSM	App. By: KLA	Detail No. 4
Checked By: MDOB	Date: 12-21-99	



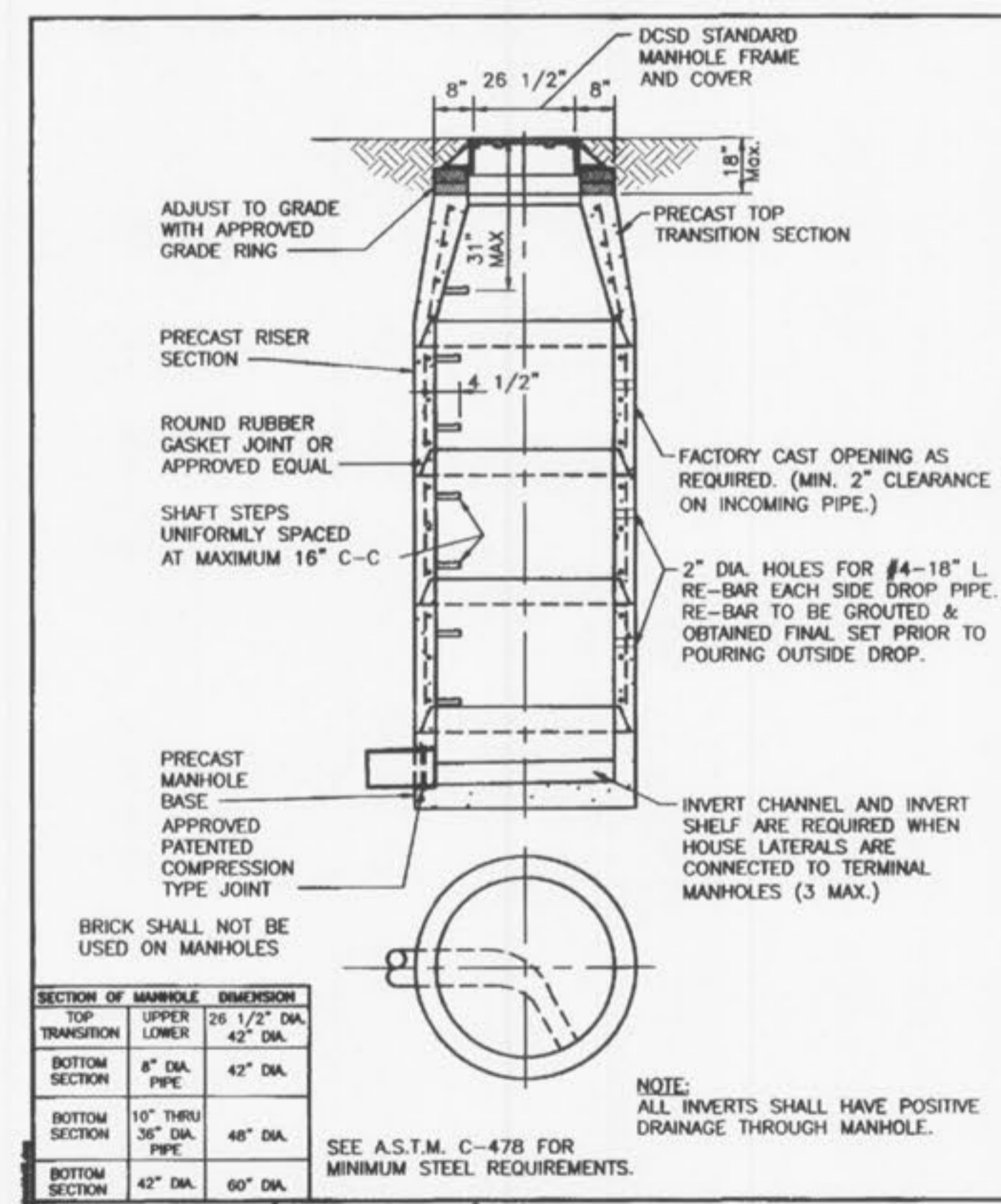
Duckett Creek Sanitary District
CONCRETE ANTI-SLIP COLLAR FOR PVC PIPE ON PIPE SLOPES FROM 15% TO 50%

Drawn By: BSM	App. By: KLA	Detail No. 5
Checked By: MDOB	Date: 12-21-99	



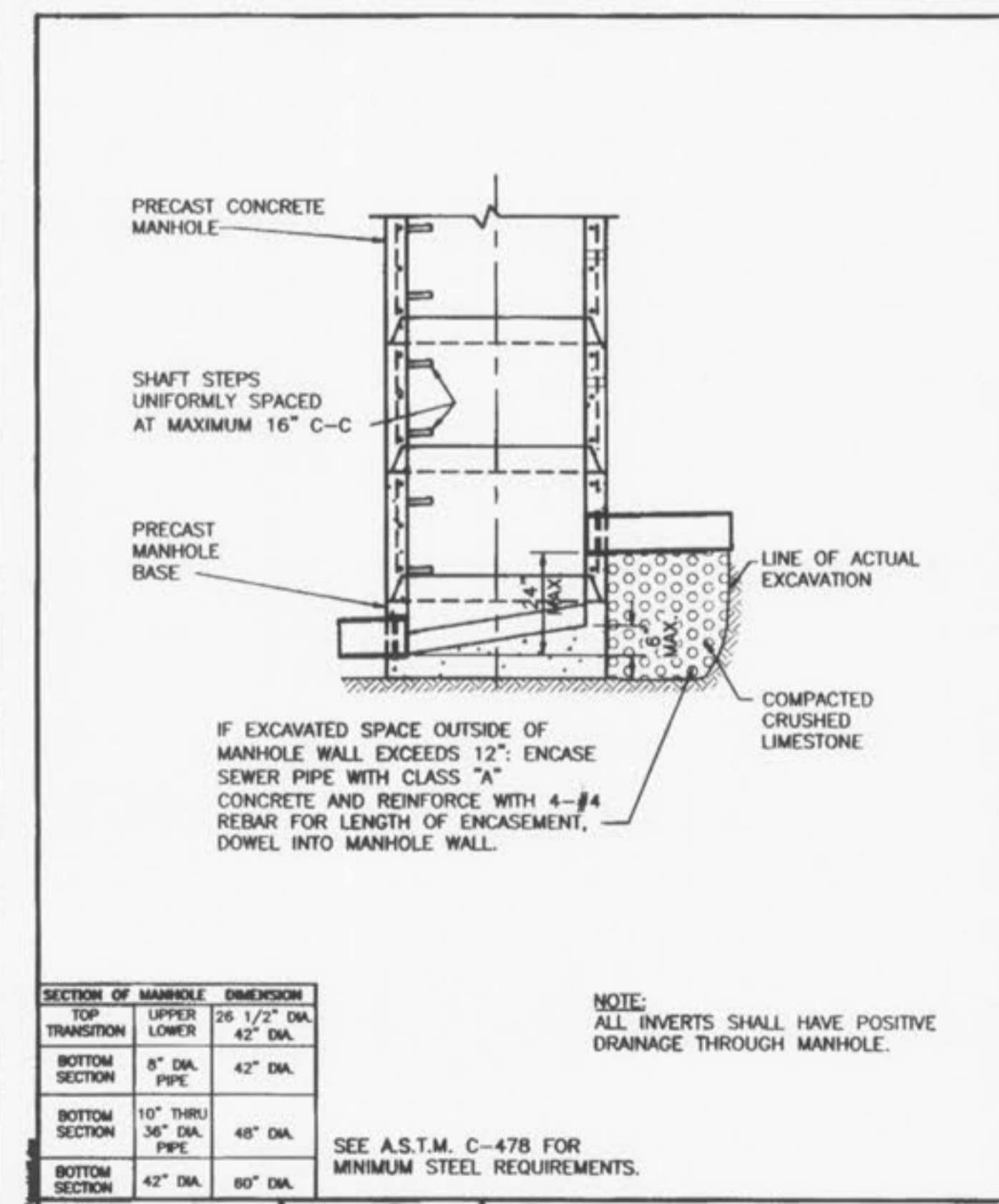
Duckett Creek Sanitary District
PRE-CAST CONCRETE MANHOLE FOR SEWERS 8" THROUGH 18"

Drawn By: BSM	App. By: KLA	Detail No. 7
Checked By: MDOB	Date: 12-30-99	



Duckett Creek Sanitary District
TERMINAL MANHOLE FOR SEWERS 8" THROUGH 18"

Drawn By: BSM	App. By: KLA	Detail No. 8
Checked By: MDOB	Date: 01-03-00	



Duckett Creek Sanitary District
INSIDE FOULWATER DROP MANHOLE (SWEEP INVERT)

Drawn By: BSM	App. By: KLA	Detail No. 9
Checked By: MDOB	Date: 01-04-00	

NOTE: THE DETAILS SHOWN HEREIN ARE FOR THE PURPOSE OF PRIVATE CONSTRUCTION ONLY. PUBLIC CONSTRUCTION WILL REQUIRE STRICT ADHERENCE TO THE DETAILS PUBLISHED BY DUCKETT CREEK AND ST. CHARLES COUNTY.

USER: Jared Wilson TAB: SANITARY 2
DATE: December 1, 2010 - 3:08:07 PM
DRAWING: S:\A05\Jared\10-0001\CD-010-0001.dwg L:\A\J\JAN_DETAL_10-0001.dwg

DEVELOPER/OWNER:
PULTE GROUP
16640 CHESTERFIELD GROVE, SUITE 200
CHESTERFIELD, MO 63005
PHONE: (636) 637-7129



CIVIL ENGINEERS
CORPORATE
CERTIFICATE
#001165

PRESTON WOODS - PHASE 5
IMPROVEMENT PLANS
PRESTON WOODS LANE
OF FALLON, MO. 63366

planning + engineering + surveying + landscape architecture
Cole and Associates Incorporated
1243 Iona Ginniver Avenue
O'Fallon, Missouri 63368
p. 636.978.7508 f. 636.978.7509
p. 314.964.9667 f. 314.964.0867

DESIGN/CALC BY: JKW
DRAWN BY: JKW
CHECKED BY: JTR
DRAWING SCALE:
DATE: 11/03/10
Job Number: 10-0038
Sheet Number: C8.1