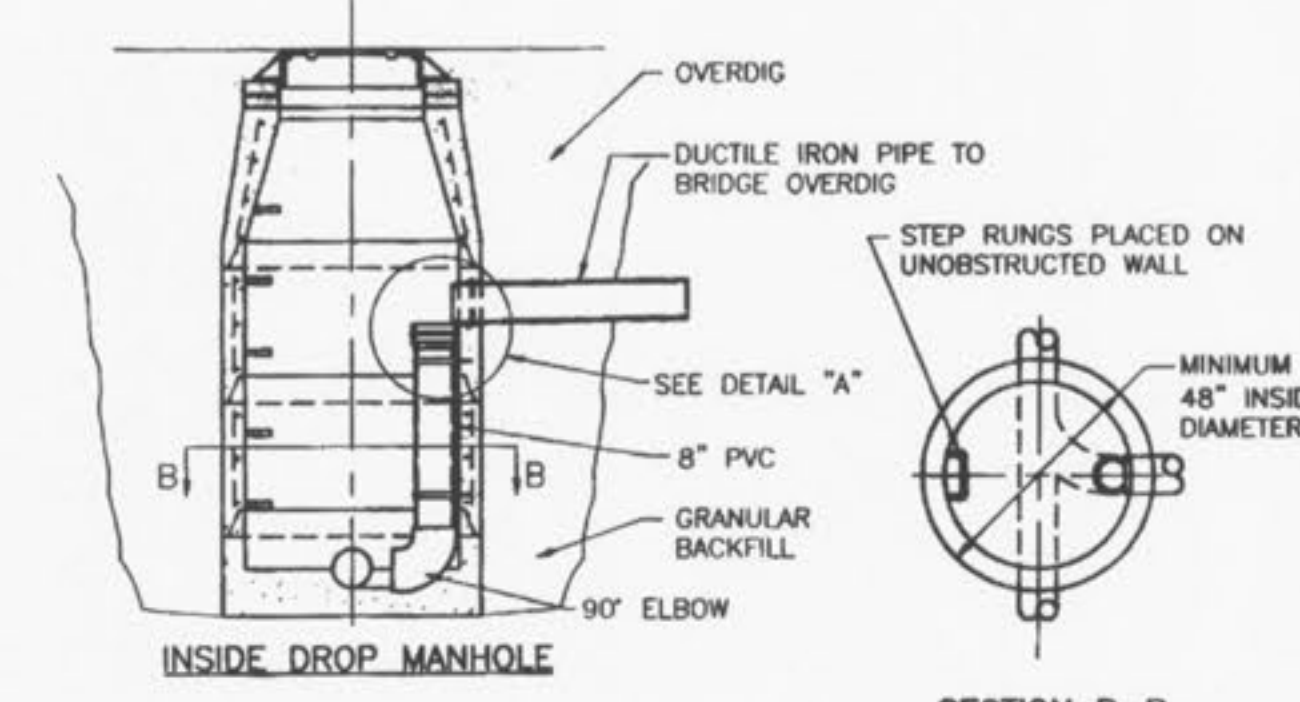


**DETAIL 'A' STANDARD DROP PIPE**  
**DETAIL 'A' MODIFIED DROP PIPE (FOR STEEP INFLUENT GRADES)**

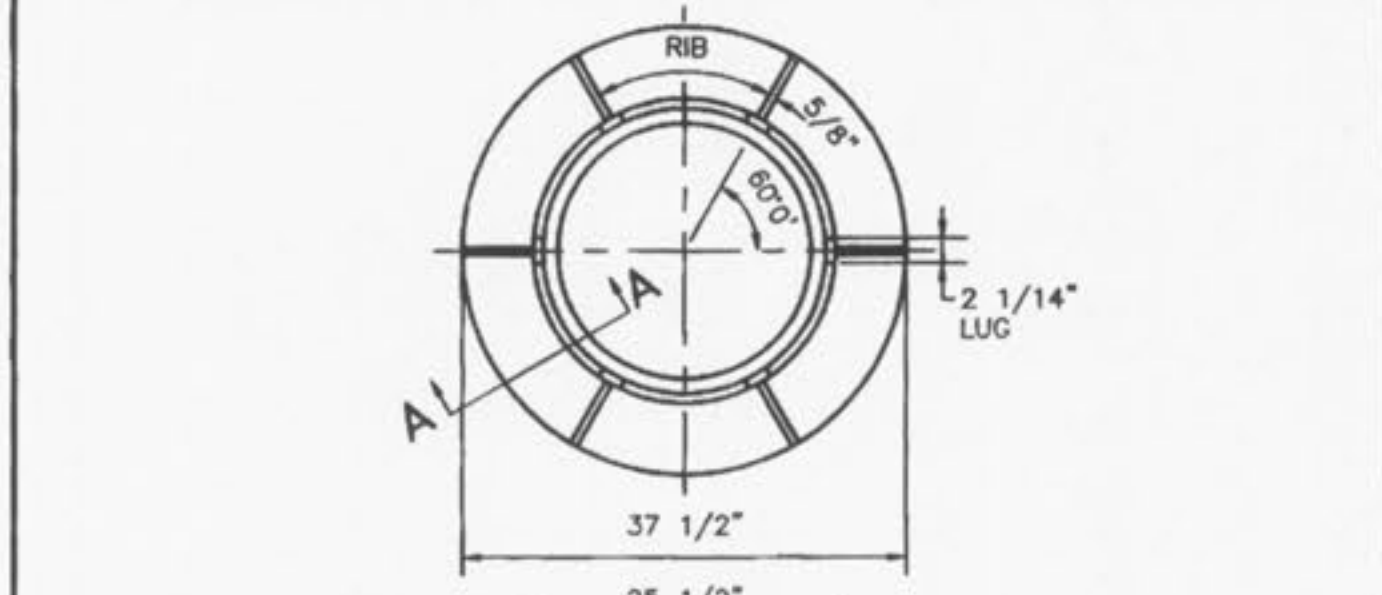


**INSIDE DROP MANHOLE**  
**SECTION B-B**

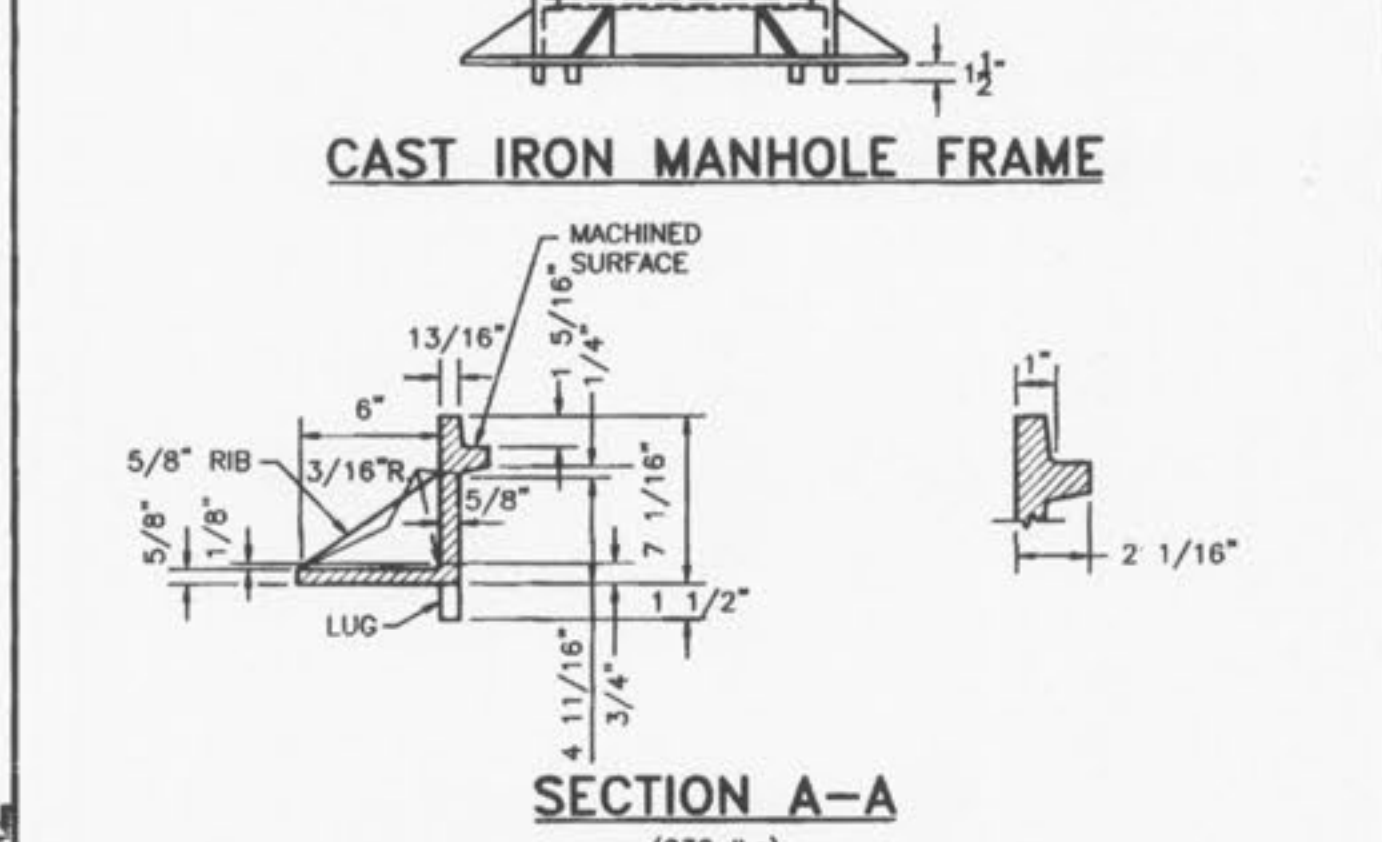
NOTE: ALL INVERTS SHALL HAVE POSITIVE DRAINAGE THROUGH MANHOLE.

**Duckett Creek Sanitary District**

INSIDE DROP MANHOLE	Des. By: BSM	App. By: KLA	Detail No. 10
	Chd. By: MDOB	Date: 01-10-00	

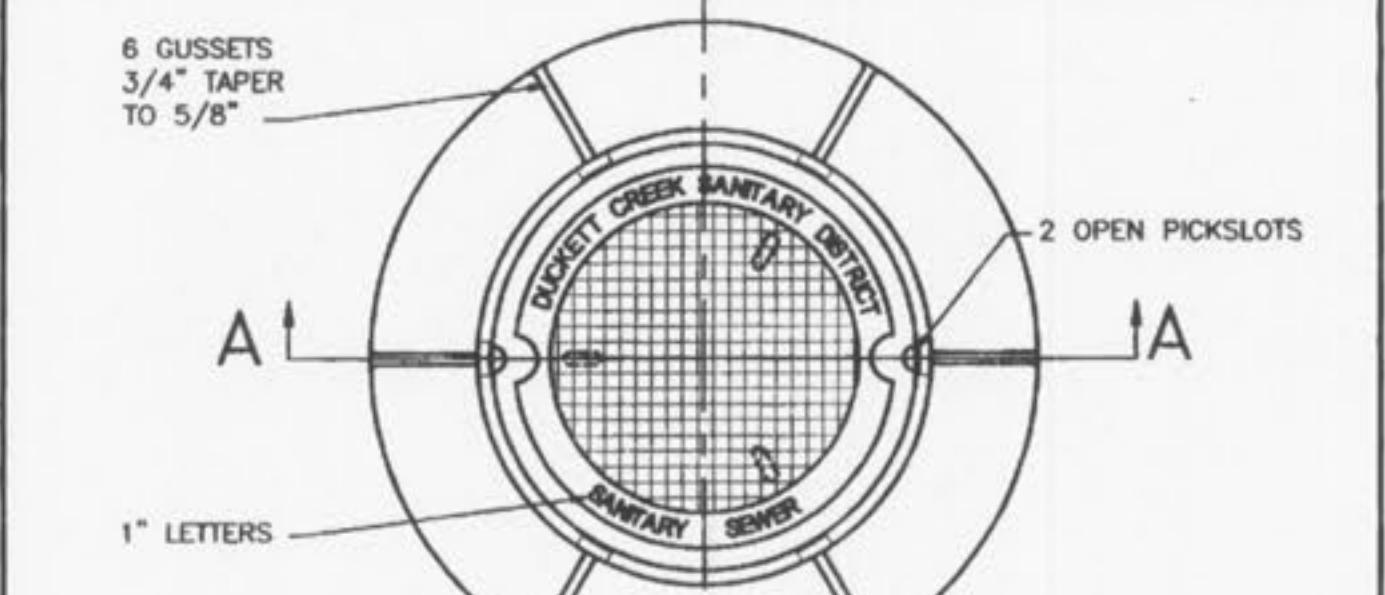


**CAST IRON MANHOLE FRAME**

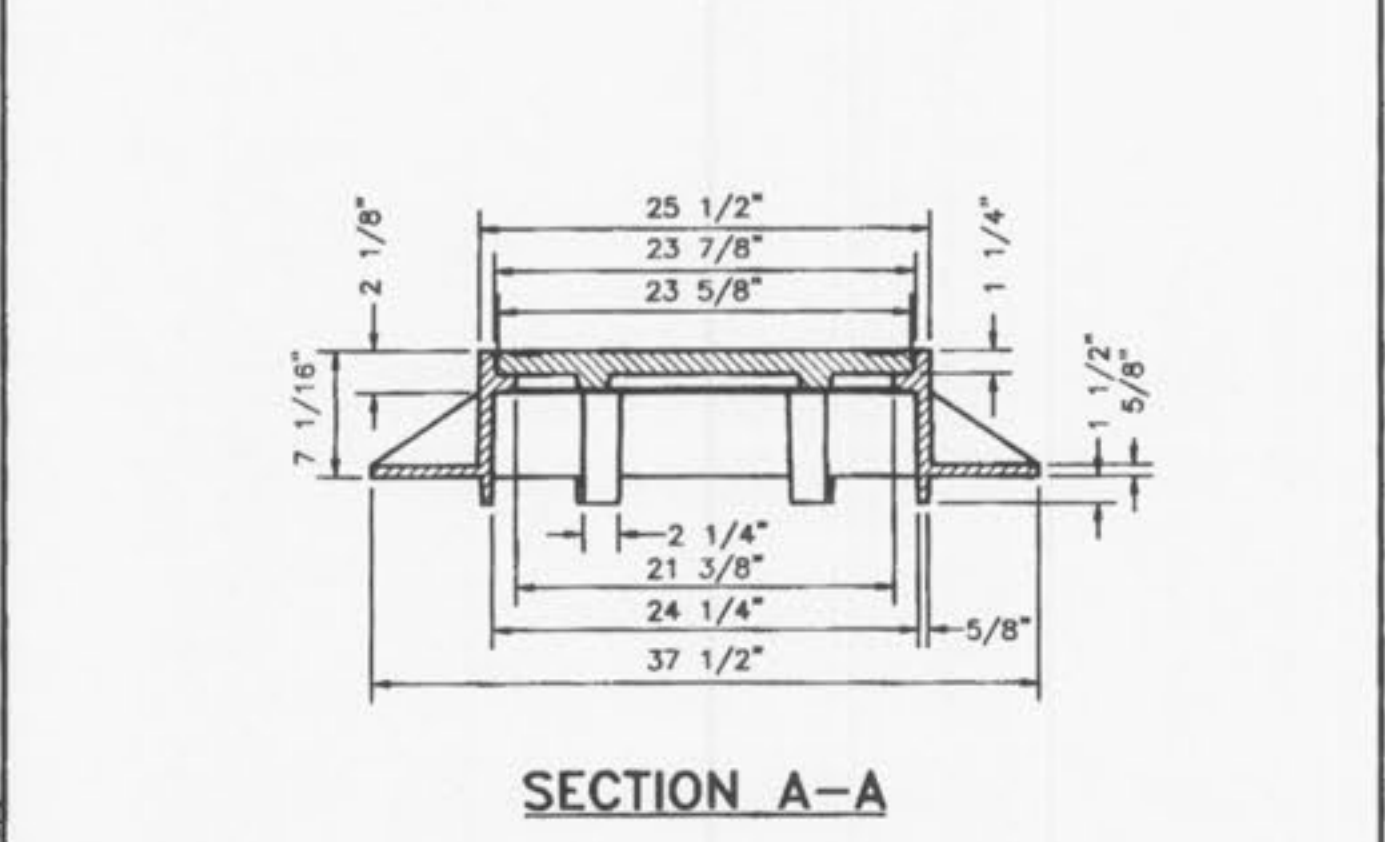


**Duckett Creek Sanitary District**

CAST IRON MANHOLE FRAME	Des. By: BSM	App. By: KLA	Detail No. 11
	Chd. By: MDOB	Date: 01-14-00	

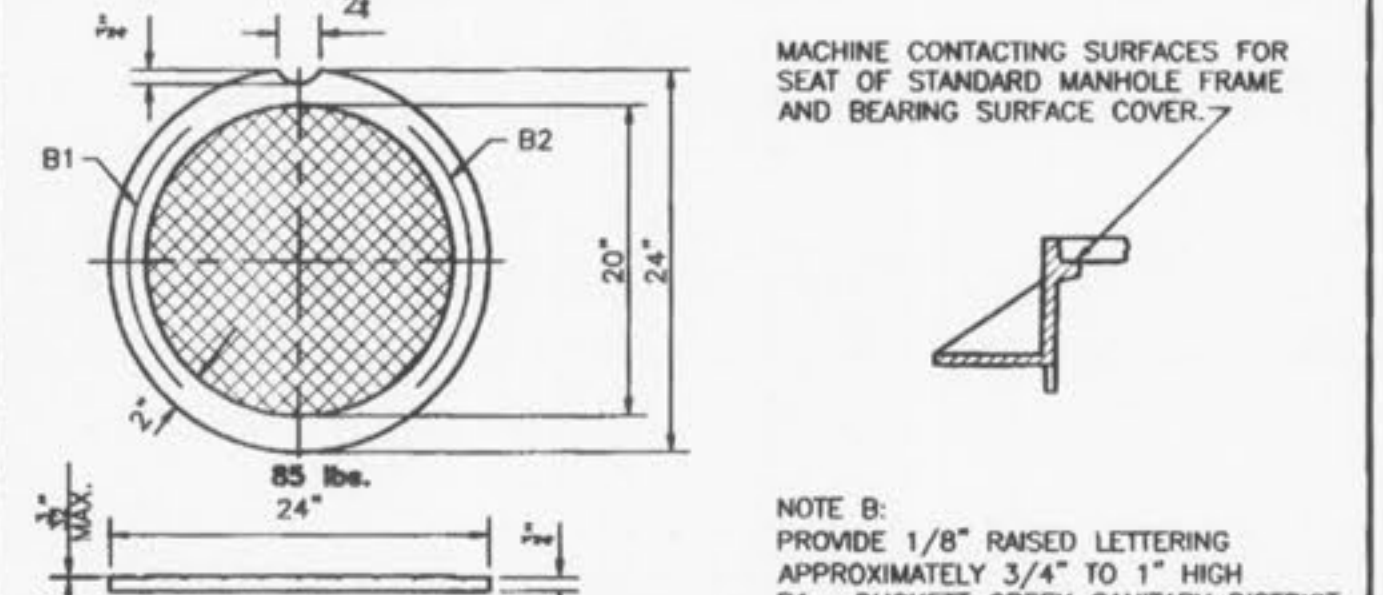


**MANHOLE FRAME AND COVER**

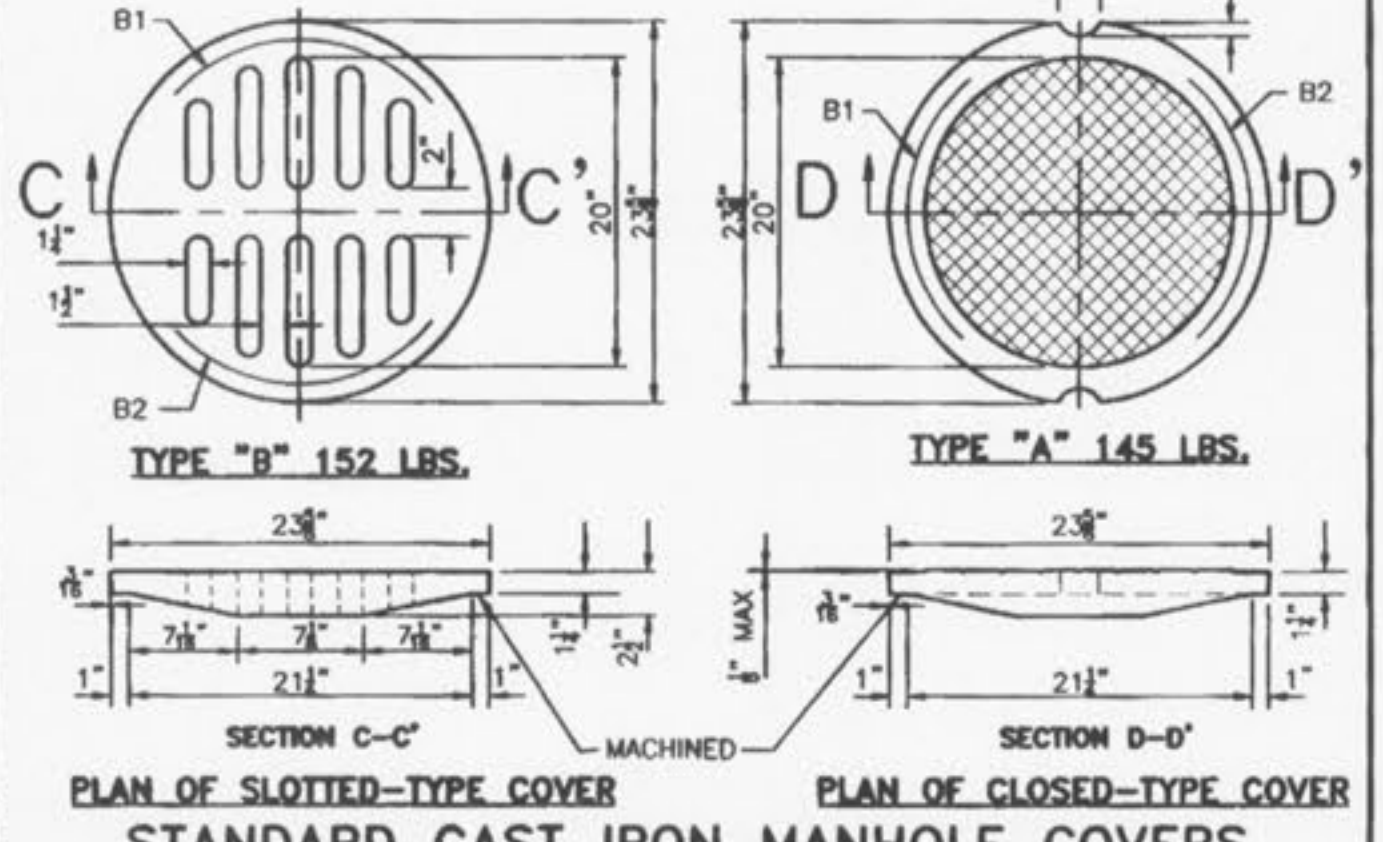


**Duckett Creek Sanitary District**

MANHOLE FRAME AND COVER	Des. By: BSM	App. By: KLA	Detail No. 12
	Chd. By: MDOB	Date: 01-14-00	

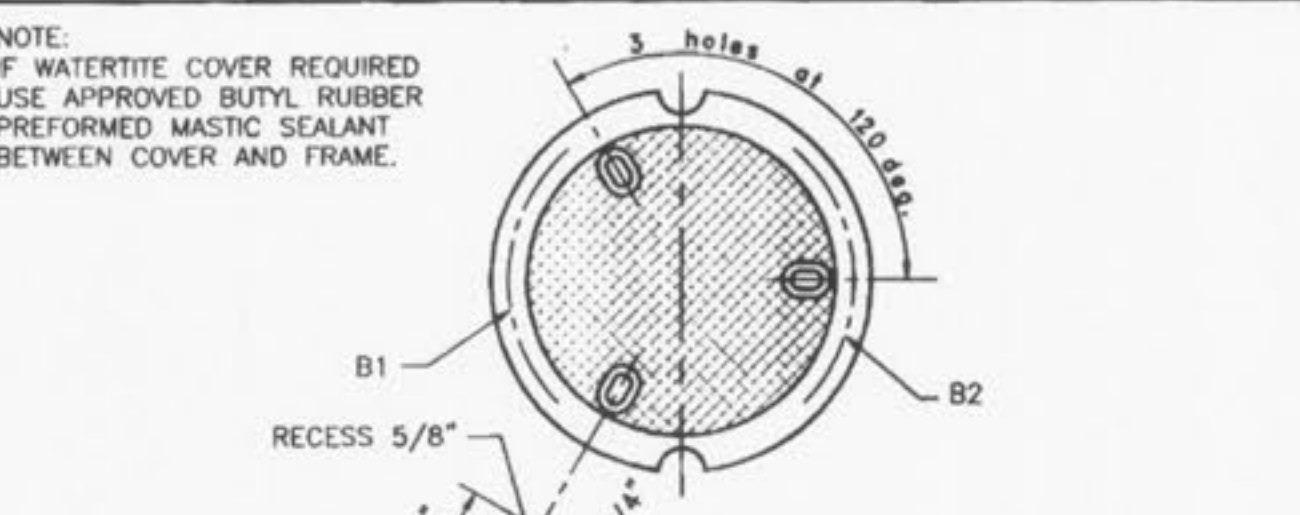


**STANDARD CAST IRON INLET COVER**

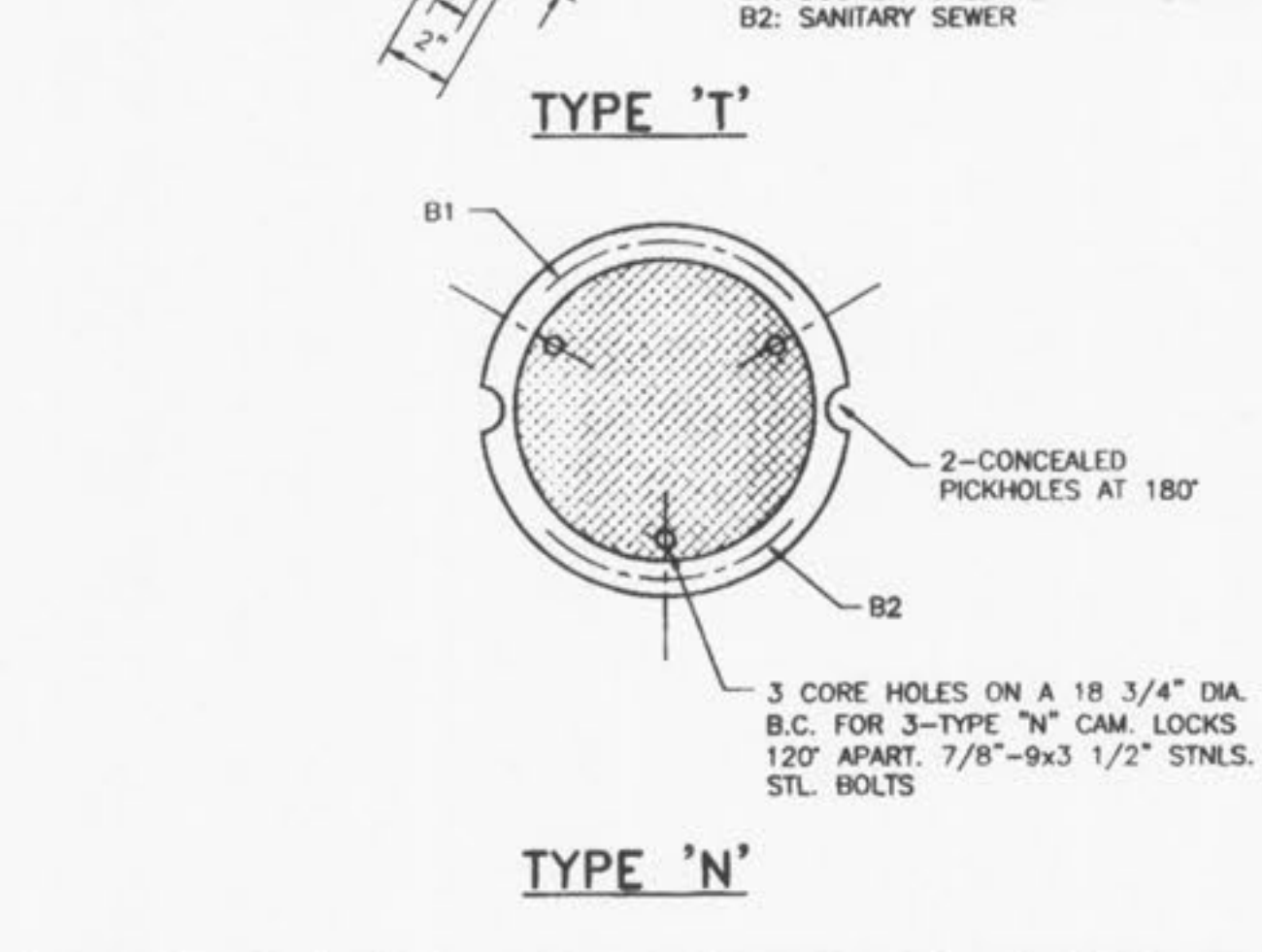


**Duckett Creek Sanitary District**

CAST IRON COVERS MANHOLES AND INLETS	Des. By: BSM	App. By: KLA	Detail No. 13
	Chd. By: MDOB	Date: 12-22-00	

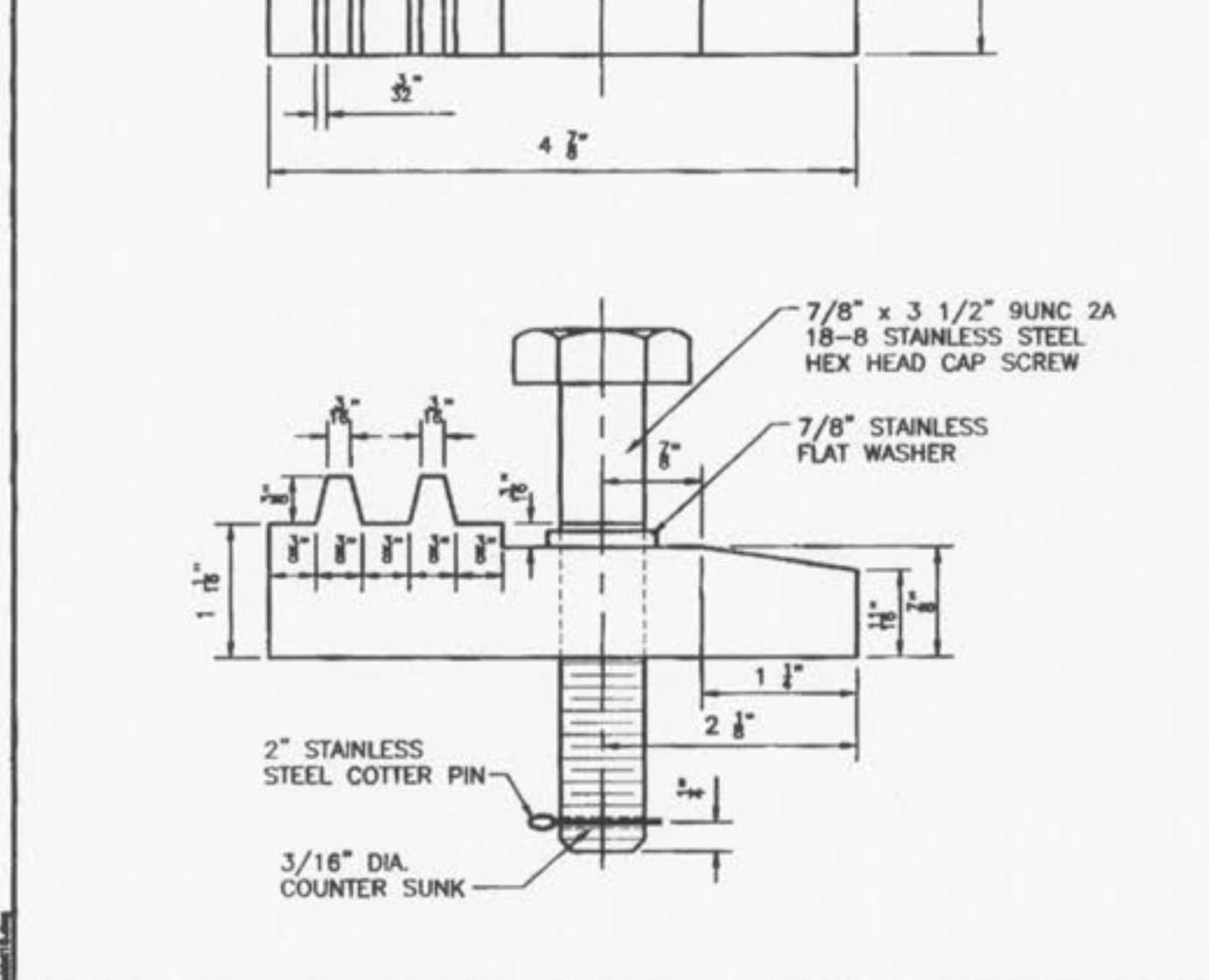
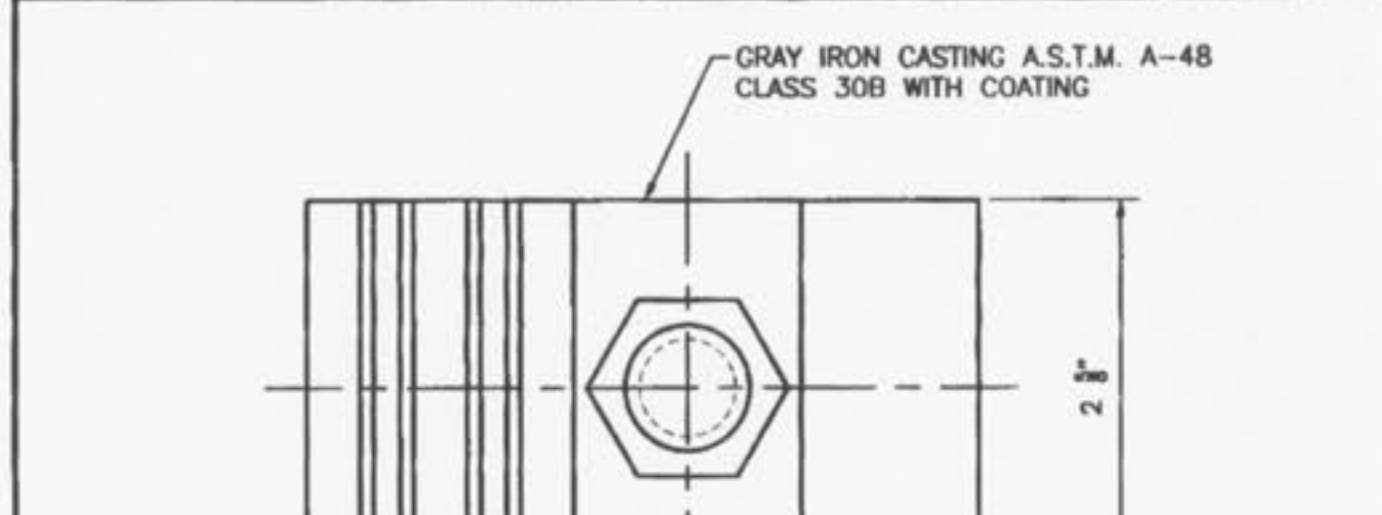


**TYPE 'T'**  
**TYPE 'N'**



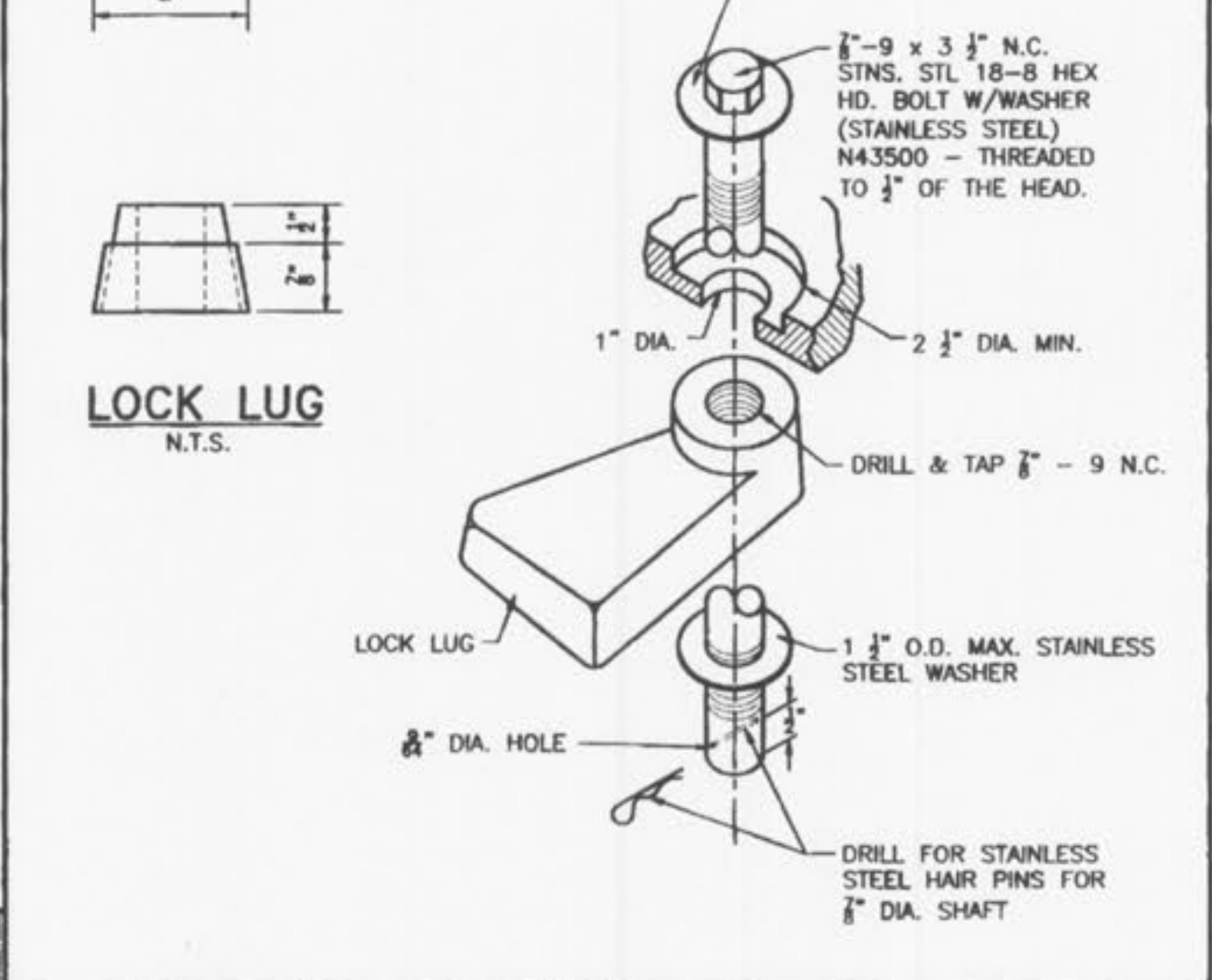
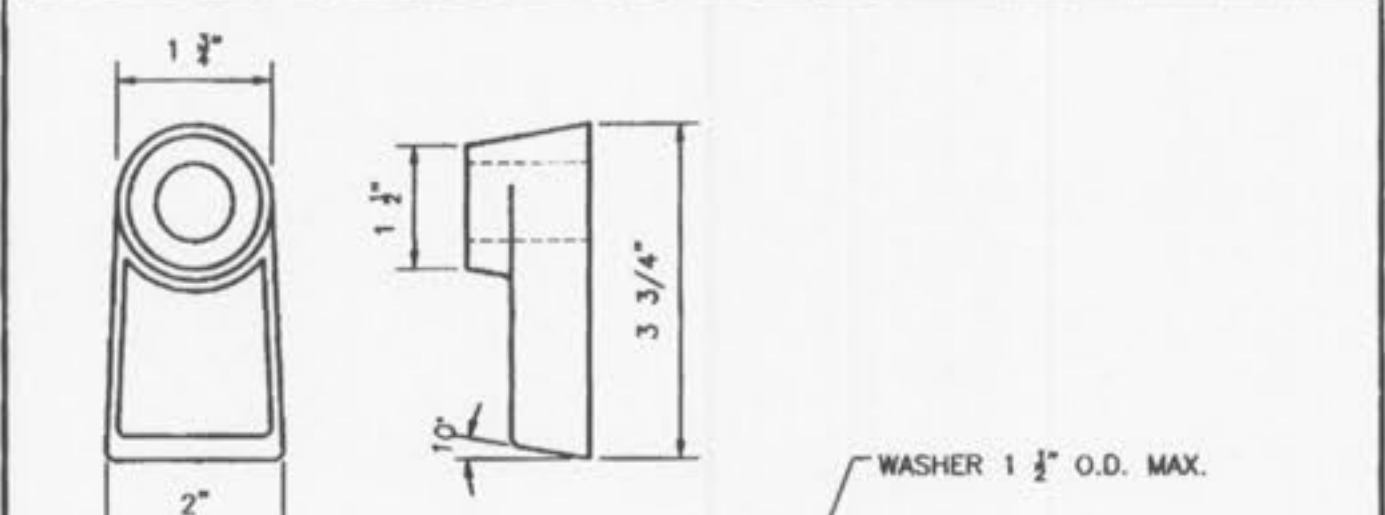
**Duckett Creek Sanitary District**

CAST IRON MANHOLE COVERS (LOCK TYPE)	Des. By: BSM	App. By: KLA	Detail No. 14
	Chd. By: MDOB	Date: 12-27-00	



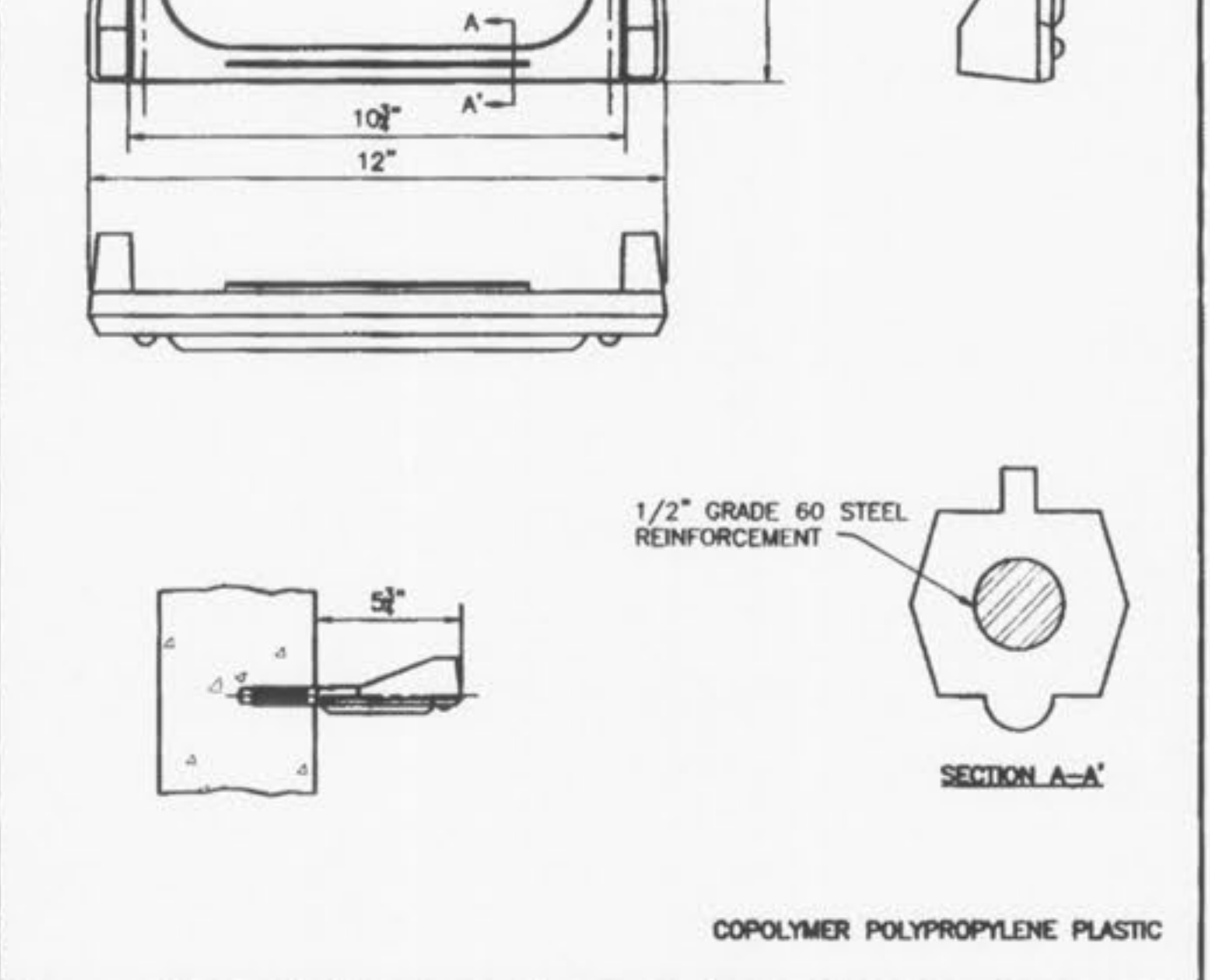
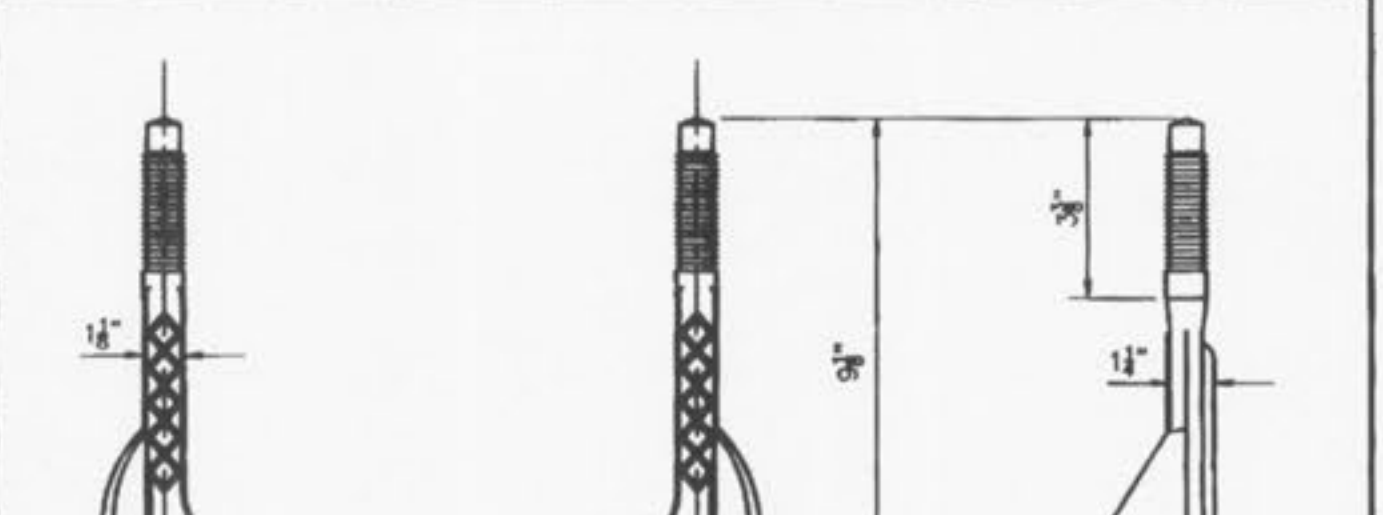
**Duckett Creek Sanitary District**

LOCKING DEVICE FOR TYPE "T" LOCK TYPE MANHOLE COVER	Des. By: BSM	App. By: KLA	Detail No. 15
	Chd. By: MDOB	Date: 12-27-00	



**Duckett Creek Sanitary District**

LOCKING DEVICE FOR TYPE "N" LOCK TYPE MANHOLE COVER	Des. By: BSM	App. By: KLA	Detail No. 16
	Chd. By: MDOB	Date: 12-28-00	



**Duckett Creek Sanitary District**

MANHOLE STEP PRECAST MANHOLE	Des. By: BSM	App. By: KLA	Detail No. 18
	Chd. By: MDOB	Date: 1-3-01	

USER: Jerald Wilson TAB: SANITARY 3  
DATE: December 1, 2010 - 3:05:32 PM  
DRAWING: S:\05\10\2010\10-0038\10-0038.dwg

NOTE: THE DETAILS SHOWN HEREIN ARE FOR THE PURPOSE OF PRIVATE CONSTRUCTION ONLY. PUBLIC CONSTRUCTION WILL REQUIRE STRICT ADHERENCE TO THE DETAILS PUBLISHED BY DUCKETT CREEK AND ST. CHARLES COUNTY.

**PRESTON WOODS - PHASE 5**  
IMPROVEMENT PLANS  
PRESTON WOODS LANE  
O'FALLON, MO. 63366  
SANITARY SEWER DETAILS

**Cole and Associates Incorporated**  
1243 Tom Ginter Avenue  
O'Fallon, Missouri 63366  
p. 636 978 7508 f. 636 978 7509  
p. 314 964 9867 f. 314 964 0867

DESIGN/CALC BY: JKW  
DRAWN BY: JKW  
CHECKED BY: JTR  
DRAWING SCALE:  
DATE: 11/03/10  
Job Number: 10-0038  
Sheet Number: C8.2

**PULTE GROVE**  
16640 CHESTERFIELD GROVE SUITE 200  
CHESTERFIELD, MO 63005  
PHONE: (636) 537-7129

THE PROFESSIONAL SEAL AND SIGNATURE OF THE REGISTERED PROFESSIONAL ENGINEER ARE REQUIRED FOR ALL OTHER PLANS. THE PROFESSIONAL SEAL AND SIGNATURE OF THE REGISTERED PROFESSIONAL ENGINEER ARE REQUIRED FOR ALL OTHER PLANS. THE PROFESSIONAL SEAL AND SIGNATURE OF THE REGISTERED PROFESSIONAL ENGINEER ARE REQUIRED FOR ALL OTHER PLANS. THE PROFESSIONAL SEAL AND SIGNATURE OF THE REGISTERED PROFESSIONAL ENGINEER ARE REQUIRED FOR ALL OTHER PLANS.