

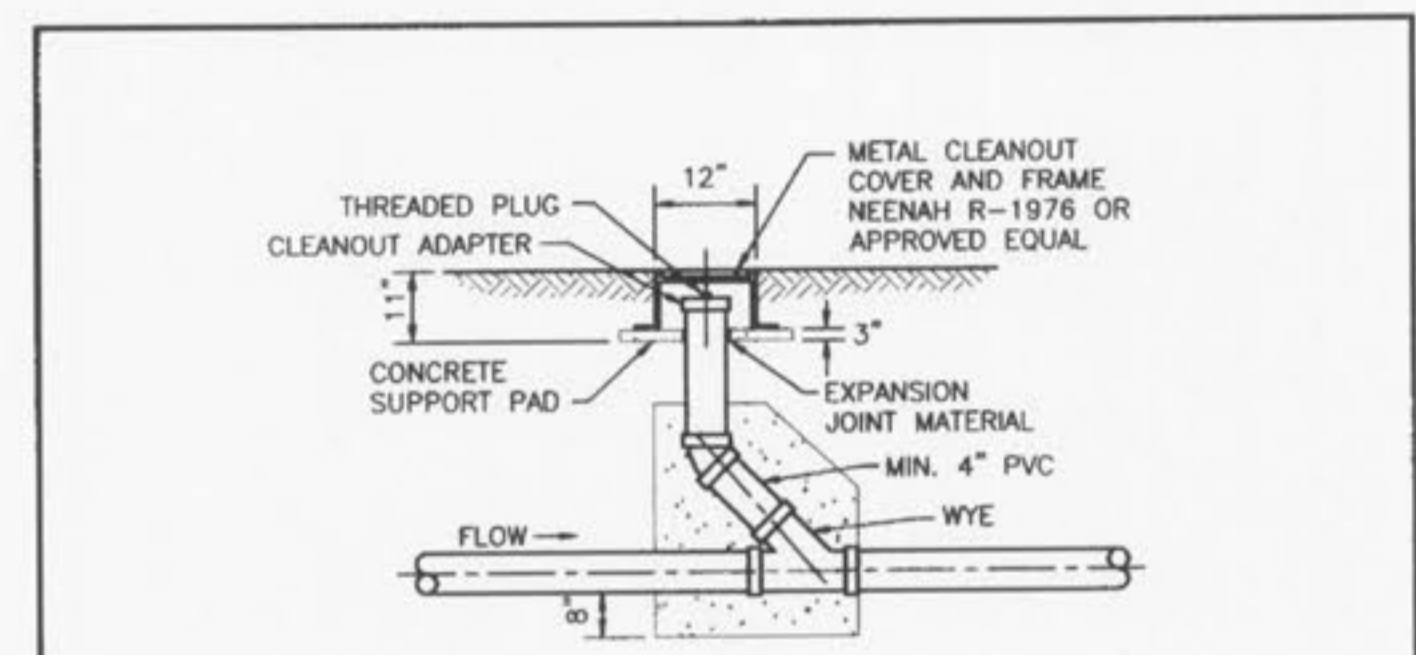
- NOTES:
- GROUTED RIP-RAP IS REQUIRED AT ALL CREEK CROSSINGS WHERE THE EMBANKMENTS CROSSED ARE STEEPER THAN 1 VERTICAL TO 2 HORIZONTAL RATIO SLOPE; AND ALSO WHERE THERE IS 3 FEET OR LESS COVER OVER THE TOP OF THE SEWER MAIN.
 - PLACE RIP-RAP ON LOWER 3/4 OF SLOPE, GRADE UPPER 1/4 OF SLOPE AT 1 VERTICAL TO 2 HORIZONTAL SLOPE FOR SOD OR 1 VERTICAL TO 2.5 HORIZONTAL SLOPE FOR SEED AND STRAW.
 - RIP-RAP TO BE "MSD 5" GRADATION, MINIMUM 12" THICK, GROUTED WITH 8 SACK MIX, SAND-CEMENT SLURRY, BROOM FINISH.
 - INCORPORATE A 3 FEET DEEP TOE WALL ON EMBANKMENT'S UPPER EDGE OF RIP-RAP.
 - TOP SURFACE OF RIP-RAP SHOULD NOT BE HIGHER THAN ADJACENT GROUND SURFACE.
 - IF PIPE HAS LESS THAN 12" COVER, A PAVED CHANNEL MAY BE REQUIRED.
 - DUCTILE IRON PIPE IS REQUIRED WITHIN THE CREEK LIMITS.

DUCKETT CREEK SANITARY DISTRICT

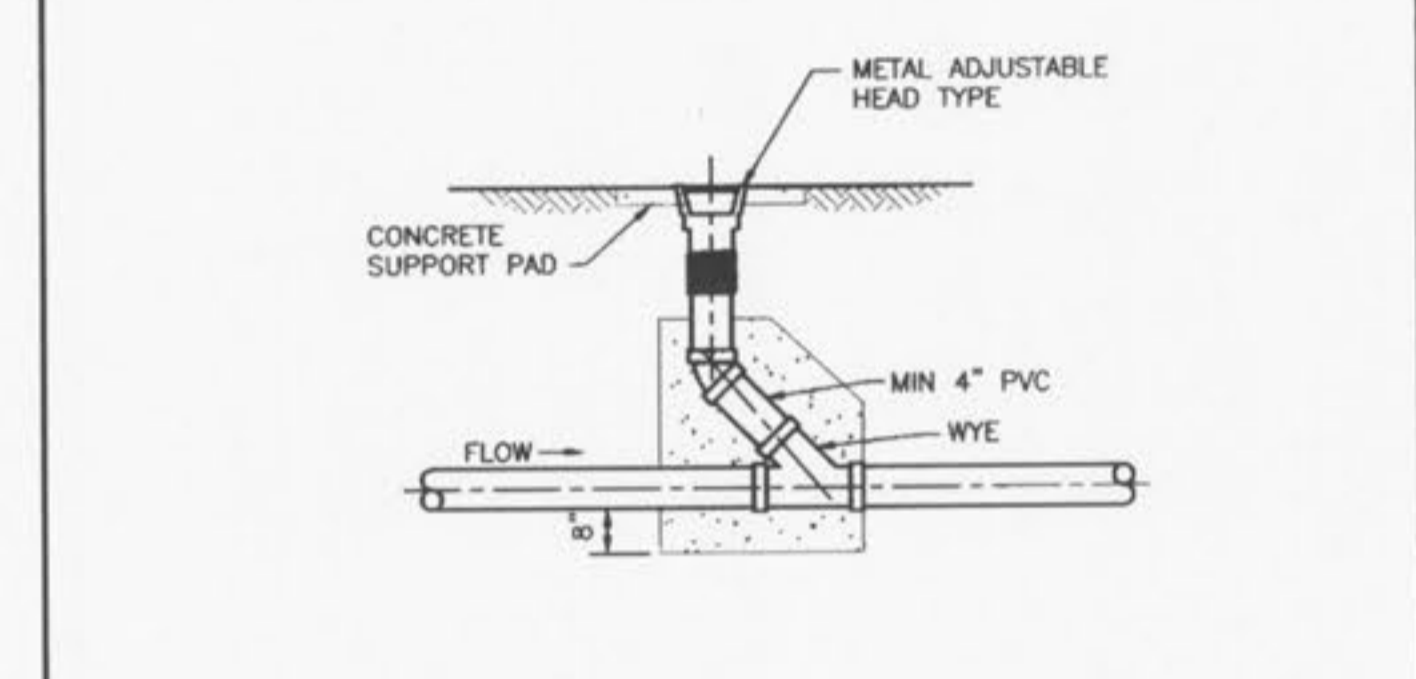
TYPICAL CREEK CROSSING

Des By: BSM App By: KLA Detail No. 24

Old By: MDOB Date: 1-8-01



METAL FRAME AND COVER TYPE CLEANOUT



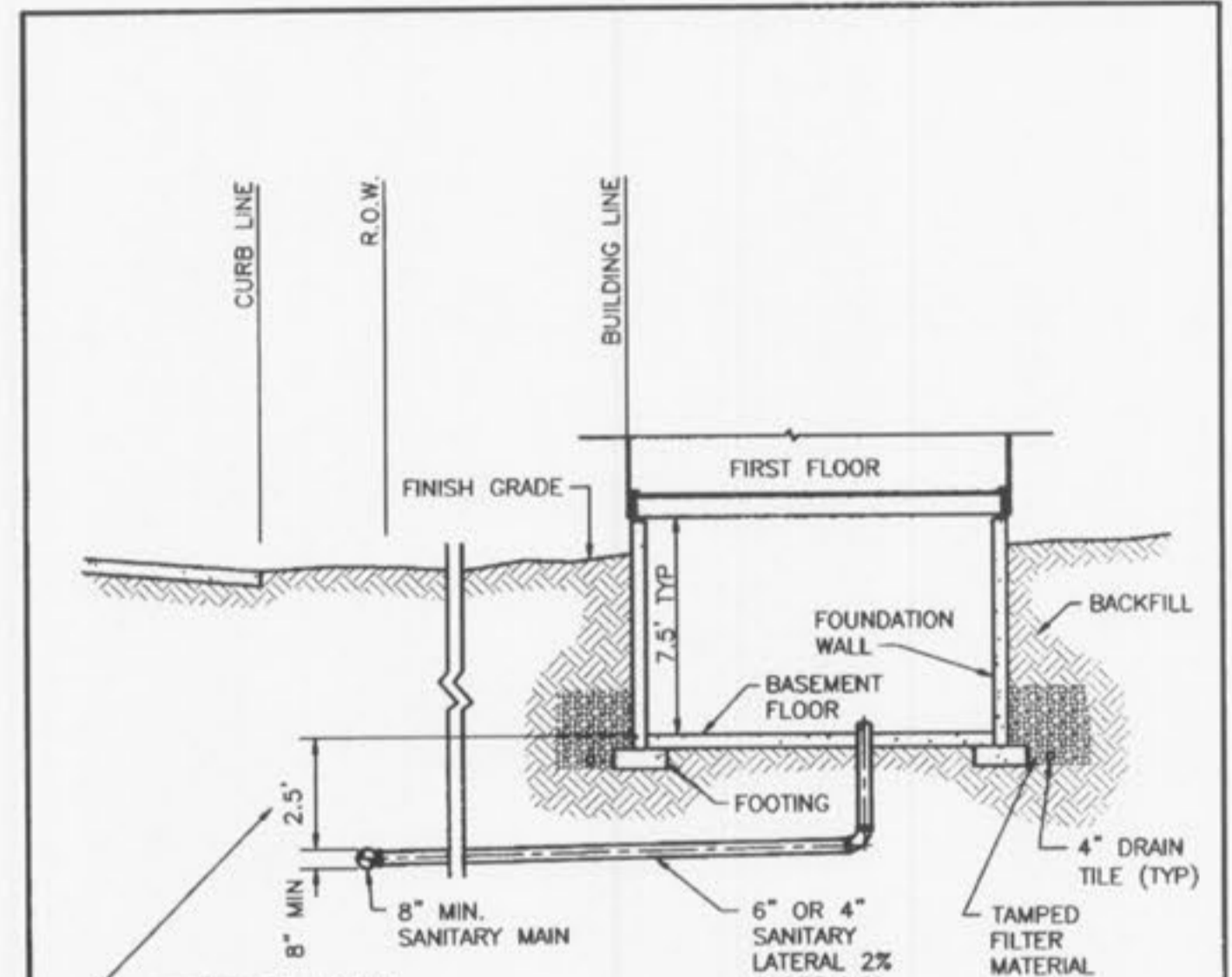
ADJUSTABLE HEAD TYPE CLEANOUT

DUCKETT CREEK SANITARY DISTRICT

TYPICAL SEWER LATERAL CLEANOUT DETAILS

Des By: BSM App By: KLA Detail No. 25

Old By: MDOB Date: 1-8-01

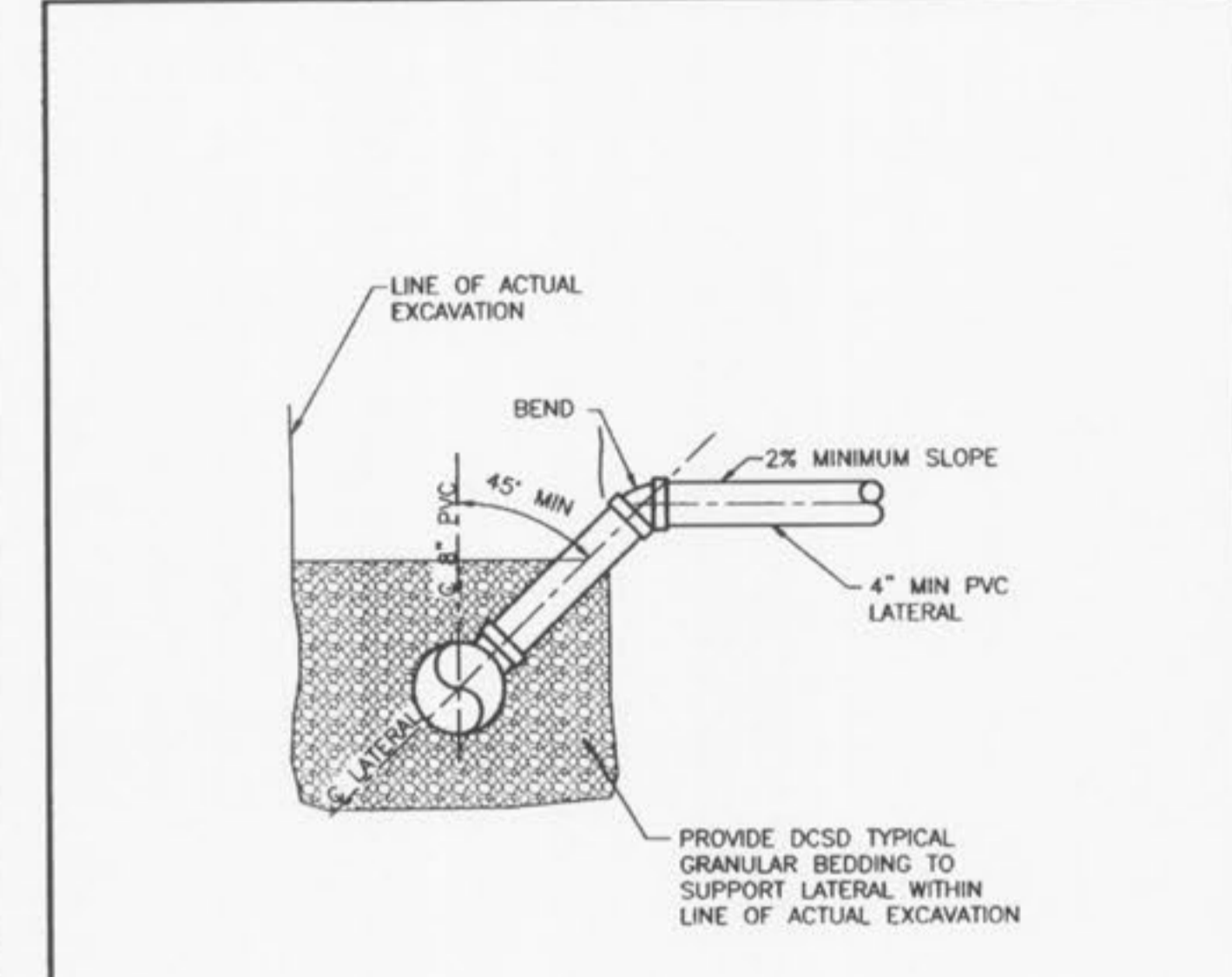


DUCKETT CREEK SANITARY DISTRICT

TYPICAL SANITARY SEWER LATERAL PROFILE

Des By: BSM App By: KLA Detail No. 26

Old By: MDOB Date: 1-9-01

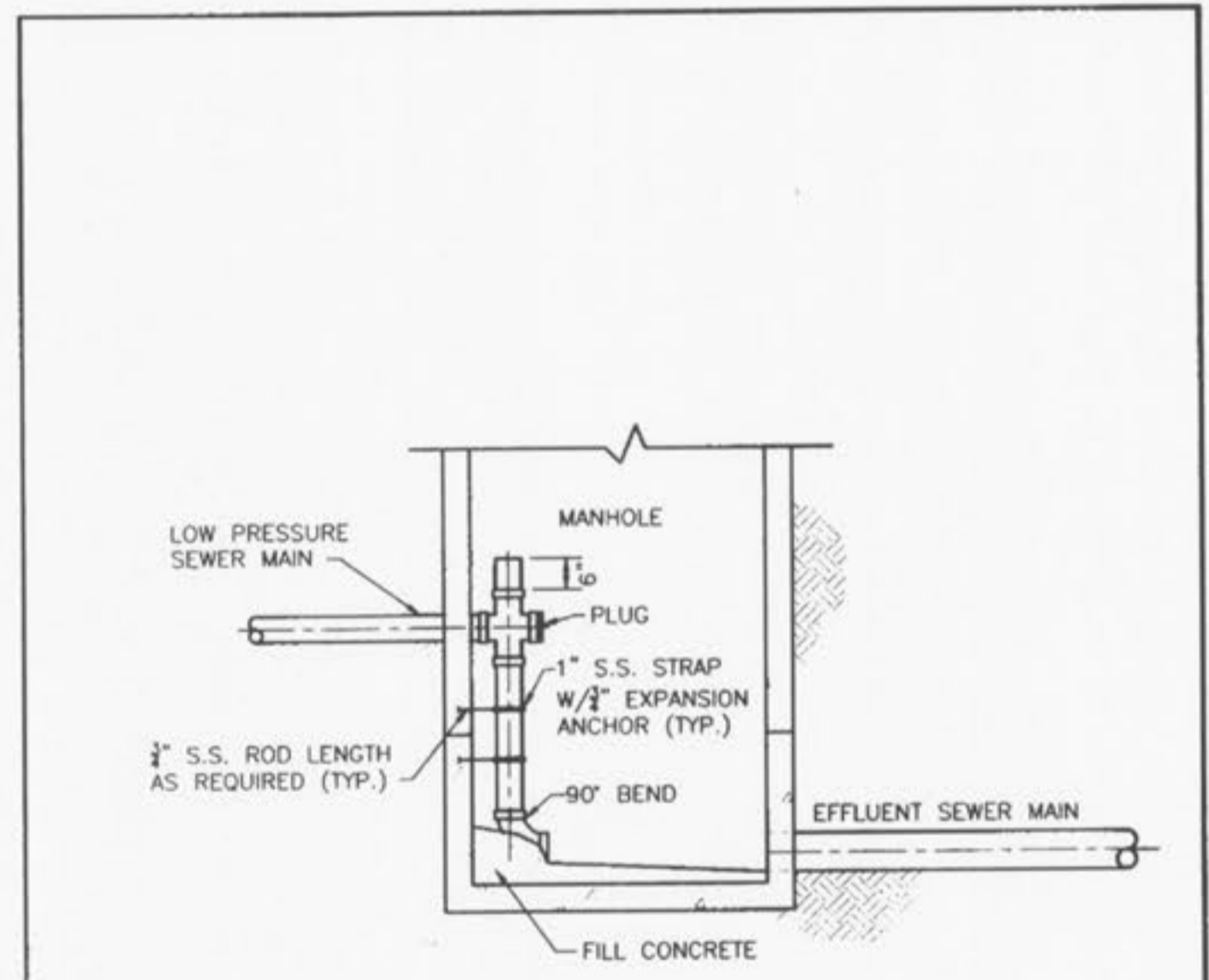


DUCKETT CREEK SANITARY DISTRICT

SANITARY SEWER LATERAL RISER DETAIL

Des By: BSM App By: KLA Detail No. 27

Old By: MDOB Date: 1-9-01

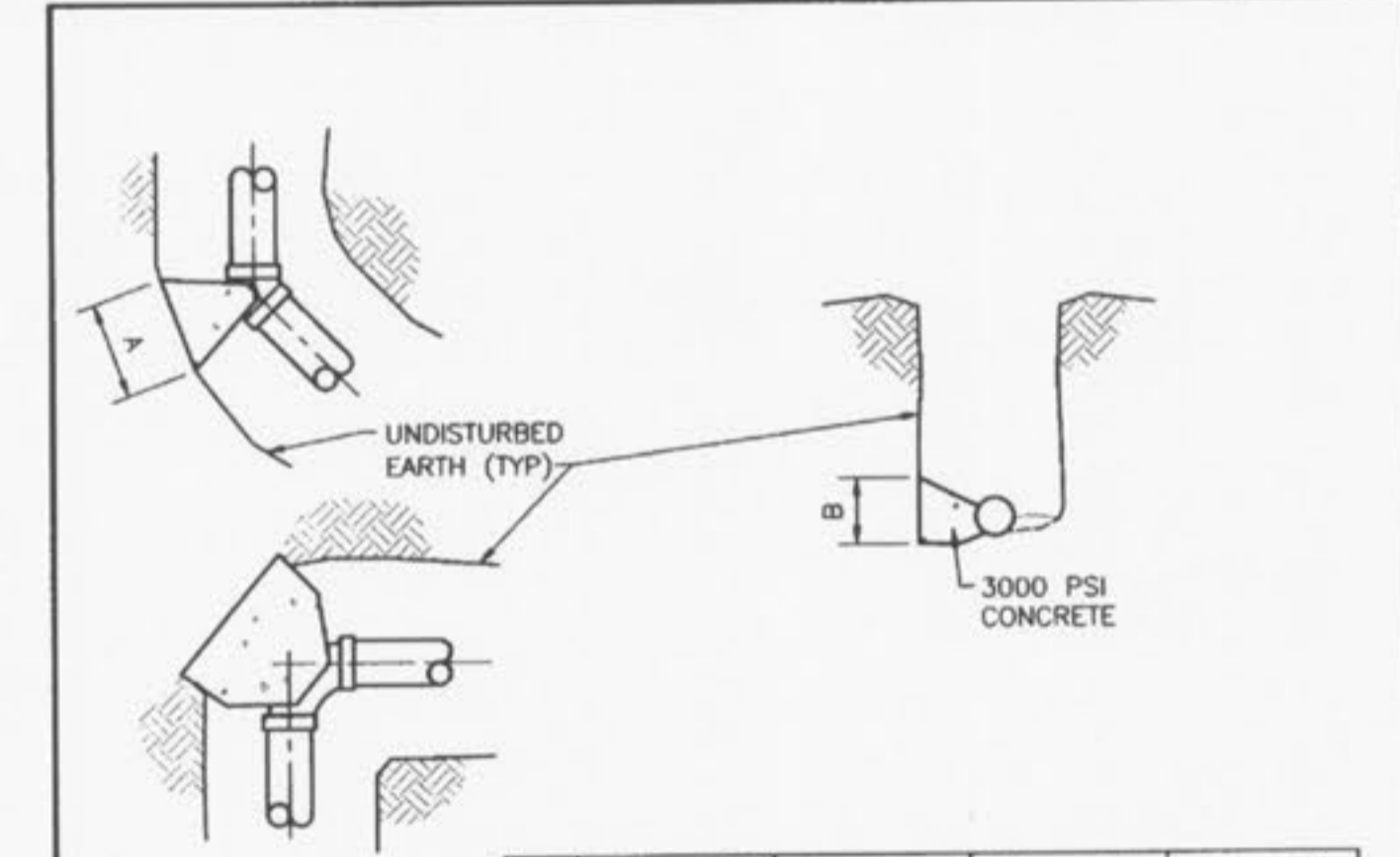


DUCKETT CREEK SANITARY DISTRICT

LOW PRESSURE SEWER MAIN CONNECTION AT MANHOLE

Des By: BSM App By: KLA Detail No. 28

Old By: MDOB Date: 1-9-01



MAIN SIZE	A x B	A x B	A x B	A x B
	22 1/2"	45"	90"	TEE
2"	.5' x 1'	.5' x 1'	1' x 1'	1' x 1'
4"	1' x 1'	1' x 1'	1.5' x 1'	1' x 1'
6"	1' x 1'	1.5' x 1'	2' x 1'	1.5' x 1'
8"	1' x 1'	2' x 1'	2' x 1'	2' x 1'

DUCKETT CREEK SANITARY DISTRICT

THRUST BLOCK DETAIL AND SIZE SCHEDULE

Des By: BSM App By: KLA Detail No. 29

Old By: MDOB Date: 1-9-01

USER: Jordan Wilson JOB: SANITARY DISTRICT DRAWING: S:\PROJECTS\2010\10-0038\CSD-DWG_C-04A_C_PLAN_DETAIL_10-0038.dwg
 DATE: 11/03/10 10:58:40 AM

NOTE: THE DETAILS SHOWN HEREIN ARE FOR THE PURPOSE OF PRIVATE CONSTRUCTION ONLY. PUBLIC CONSTRUCTION WILL REQUIRE STRICT ADHERENCE TO THE DETAILS PUBLISHED BY DUCKETT CREEK AND ST. CHARLES COUNTY.

DEVELOPER/OWNER: PULTE GROUP 16640 CHESTERFIELD GROVE, SUITE 200 CHESTERFIELD, MO 63005 PHONE: (636) 537-7129
 CIVIL ENGINEERS: JAMES T. ROTH, PE, No. E-200150065, MISSOURI REGISTERED PROFESSIONAL ENGINEER, LICENSE NO. 001168, DATE: 12/7/10
 PRESTON WOODS - PHASE 5 IMPROVEMENT PLANS PRESTON WOODS LANE O'FALLON, MO. 63366
 SANITARY SEWER DETAILS
 planning • engineering • surveying • landscape architecture
Gole and ASSOCIATES INCORPORATED
 1243 Tom Ginnerman Avenue O'Fallon, Missouri 63366 p: 636.978.7508 f: 636.978.7509
 10777 sunset office drive saint louis, missouri 63127 p: 314.984.9887 t: 314.984.0587
 DESIGN/CALC BY: JKW
 DRAWN BY: JKW
 CHECKED BY: JTR
 DRAWING SCALE:
 DATE: 11/03/10
 Job Number: 10-0038
 Sheet Number: C8.4