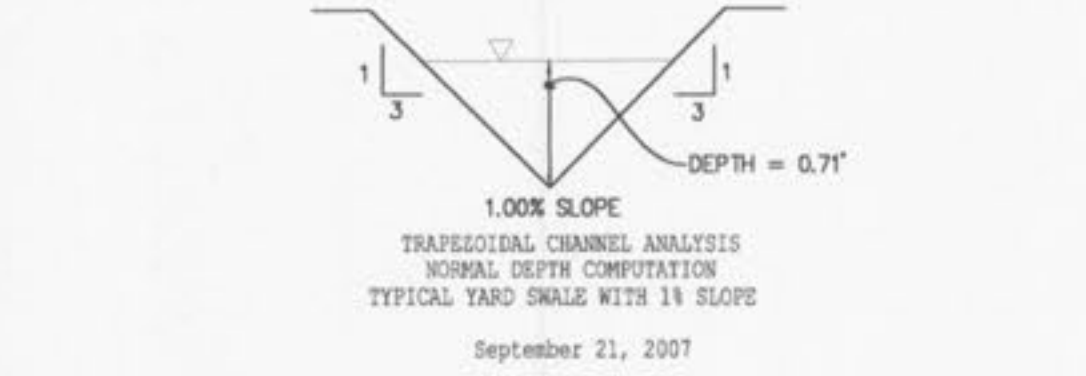


**IF WATER IS NOT AVAILABLE, A WATER TRUCK WILL BE PROVIDED.**



DESCRIPTION	PROGRAM INPUT DATA	VALUE
Flow Rate (cfs)	.....	2.16
Channel Bottom Slope (ft/ft)	.....	0.08
Manning's Roughness Coefficient (n-value)	.....	0.027
Channel Left Side Slope (horizontal/vertical)	.....	3.0
Channel Right Side Slope (horizontal/vertical)	.....	3.0
Channel Bottom Width (ft)	.....	0.01

DESCRIPTION	COMPUTATION RESULTS	VALUE
Normal Depth (ft)	.....	0.38
Flow Velocity (fps)	.....	4.99
Froude Number	.....	2.02
Velocity Head (ft)	.....	0.39
Energy Head (ft)	.....	0.77
Cross-Sectional Area of Flow (sq ft)	.....	0.43
Top Width of Flow (ft)	.....	2.28

HYDROCALC Hydraulics for Windows, Version 1.2a Copyright (c) 1996  
Dodson & Associates, Inc., 5629 FM 1960 West, Suite 314, Houston, TX 77069  
Phone: (281) 440-3787, Fax: (281) 440-4742, Email: software@dodson-hydro.com  
All Rights Reserved.

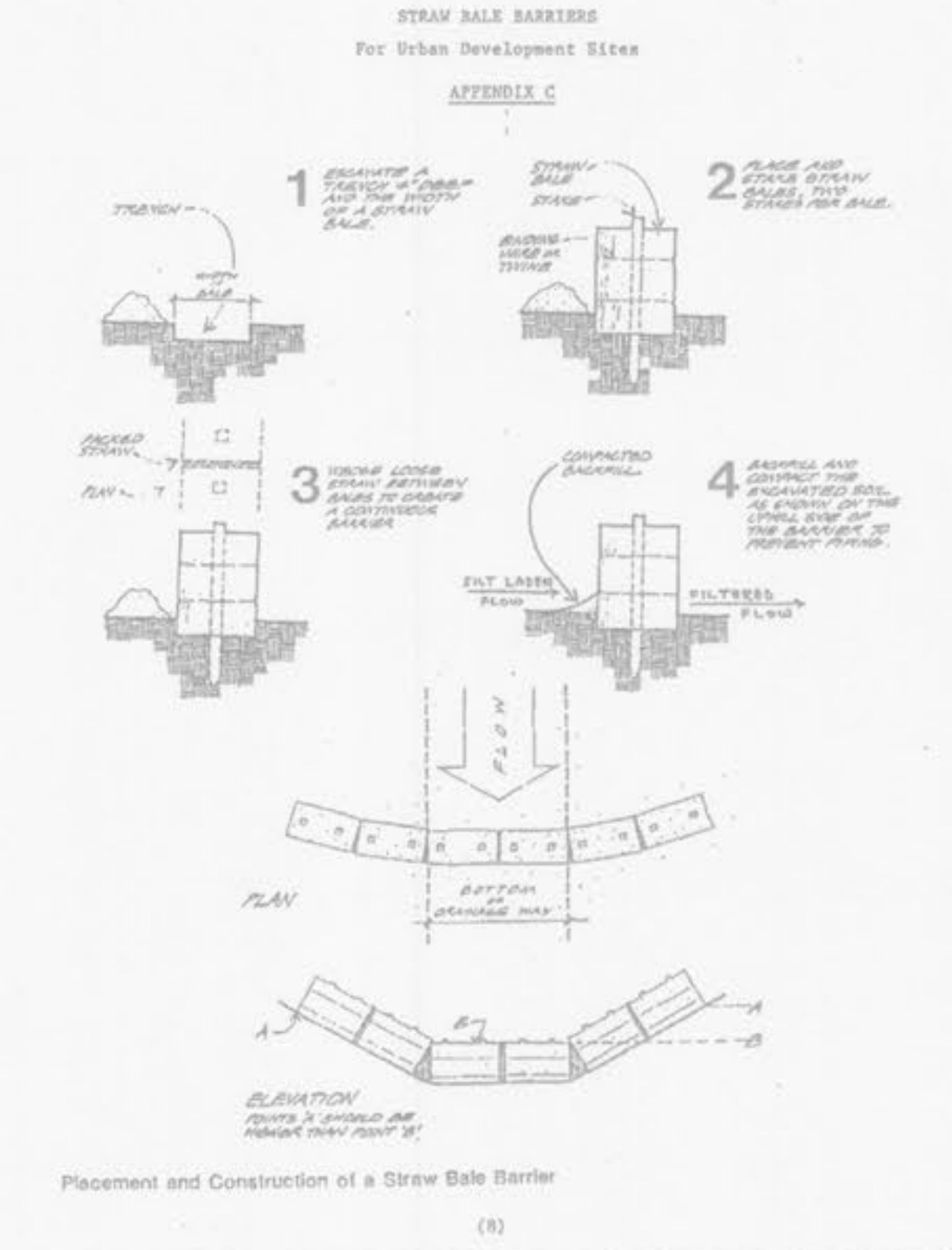
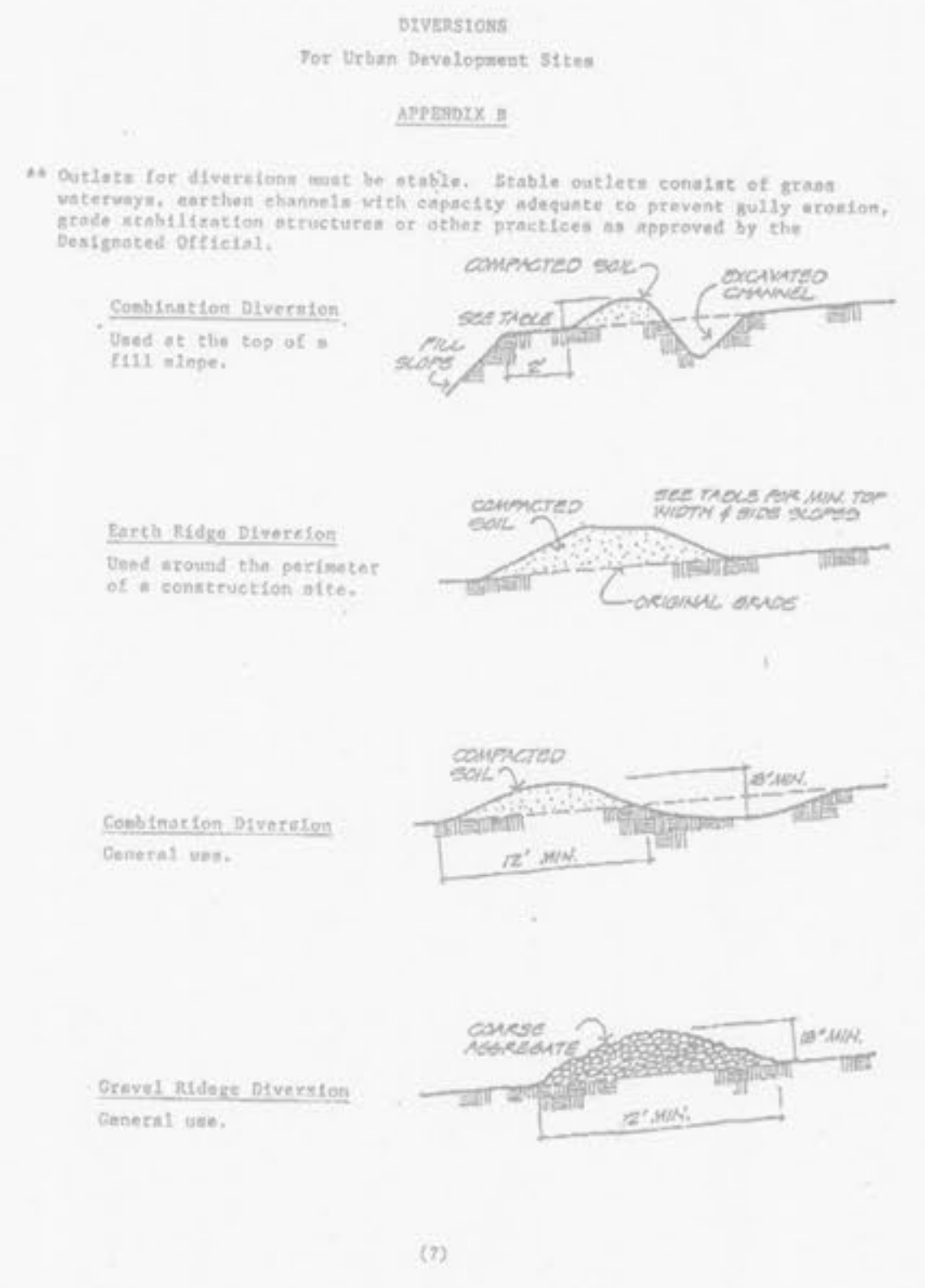


**TYPICAL SWALE HYDRAULICS**

DESCRIPTION	PROGRAM INPUT DATA	VALUE
Flow Rate (cfs)	.....	3.92
Channel Bottom Slope (ft/ft)	.....	0.02
Manning's Roughness Coefficient (n-value)	.....	0.035
Channel Left Side Slope (horizontal/vertical)	.....	3.0
Channel Right Side Slope (horizontal/vertical)	.....	3.0
Channel Bottom Width (ft)	.....	1.0

DESCRIPTION	COMPUTATION RESULTS	VALUE
Normal Depth (ft)	.....	0.53
Flow Velocity (fps)	.....	2.94
Froude Number	.....	0.97
Velocity Head (ft)	.....	0.13
Energy Head (ft)	.....	0.72
Cross-Sectional Area of Flow (sq ft)	.....	1.62
Top Width of Flow (ft)	.....	4.13

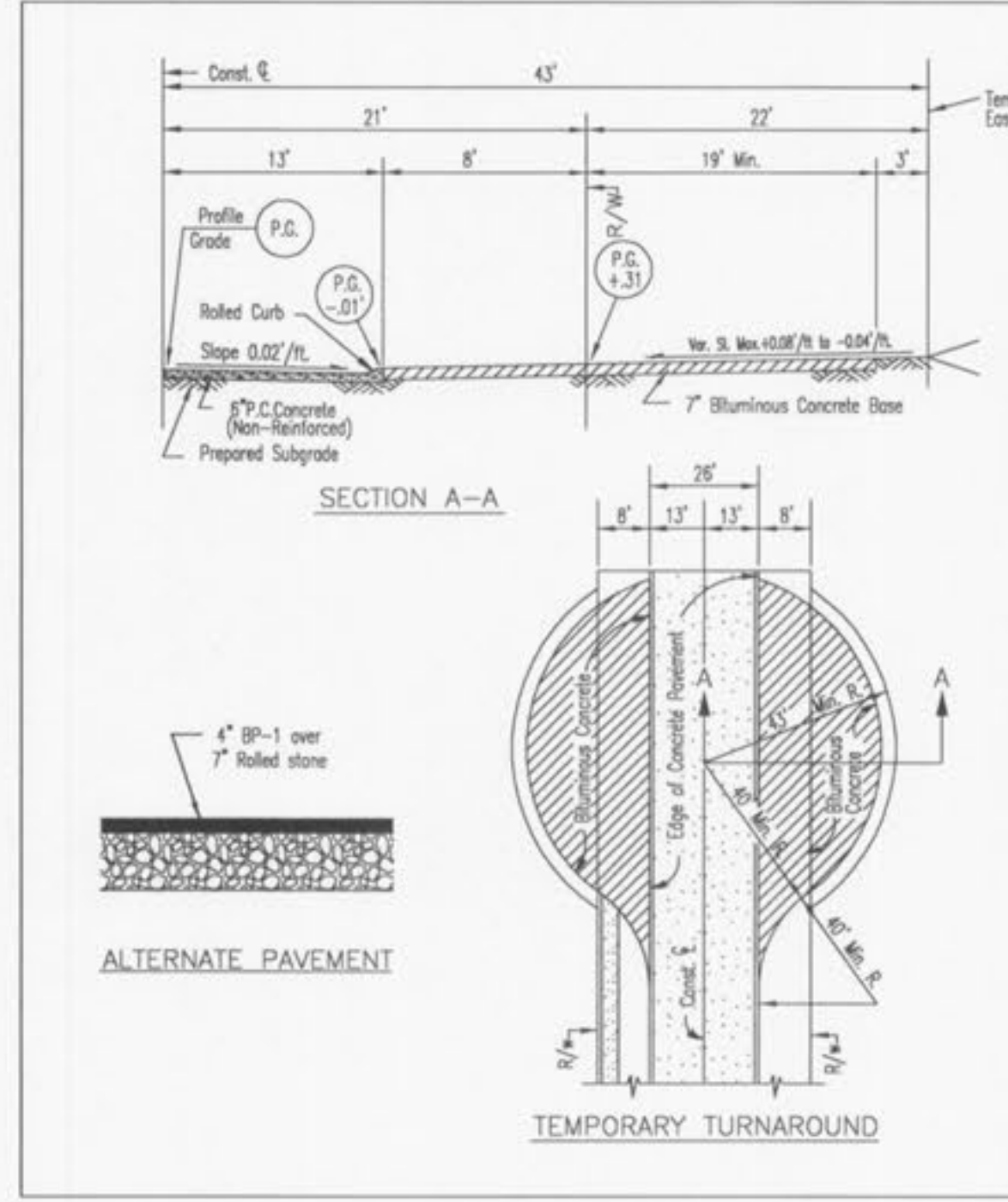
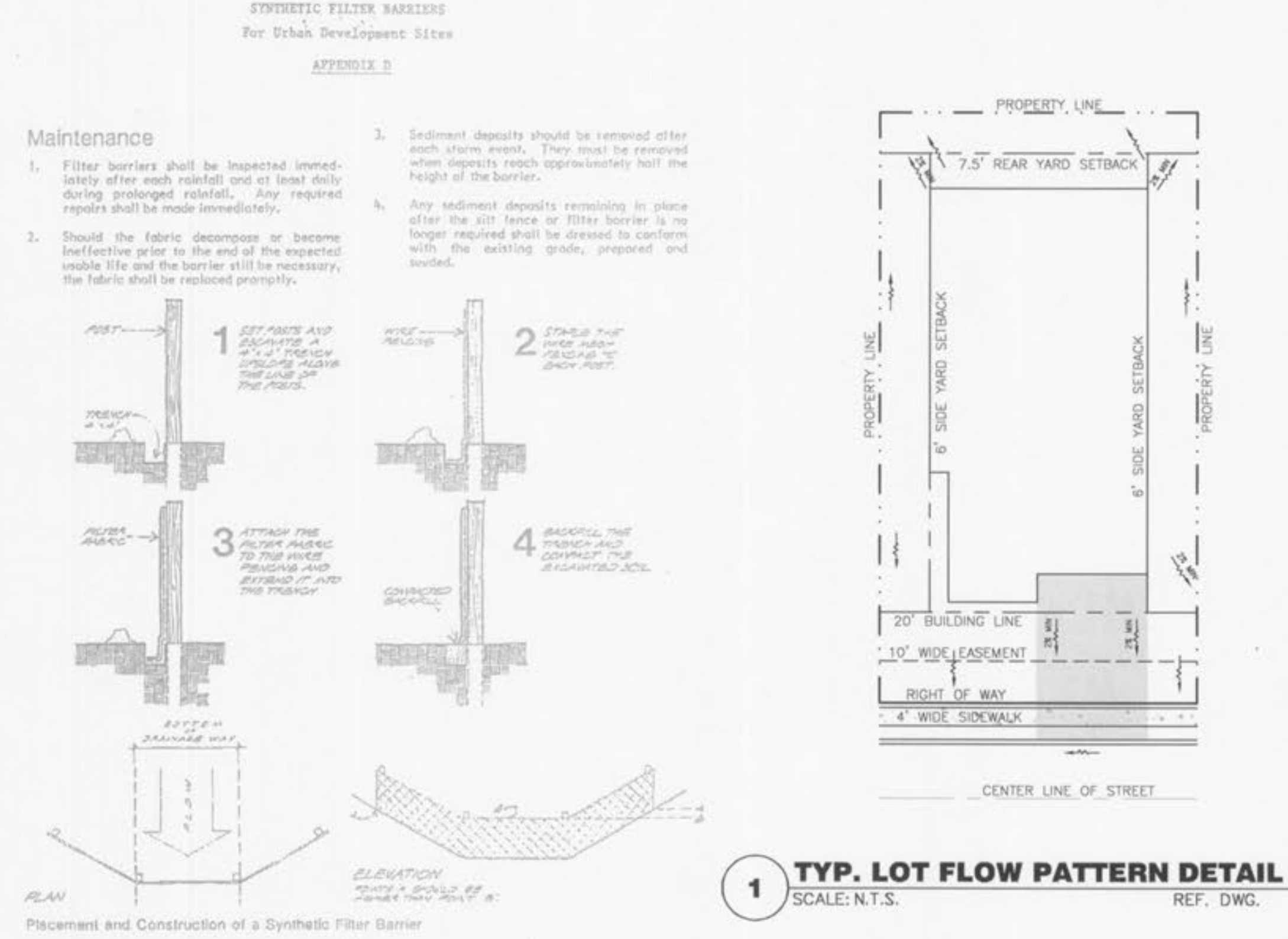
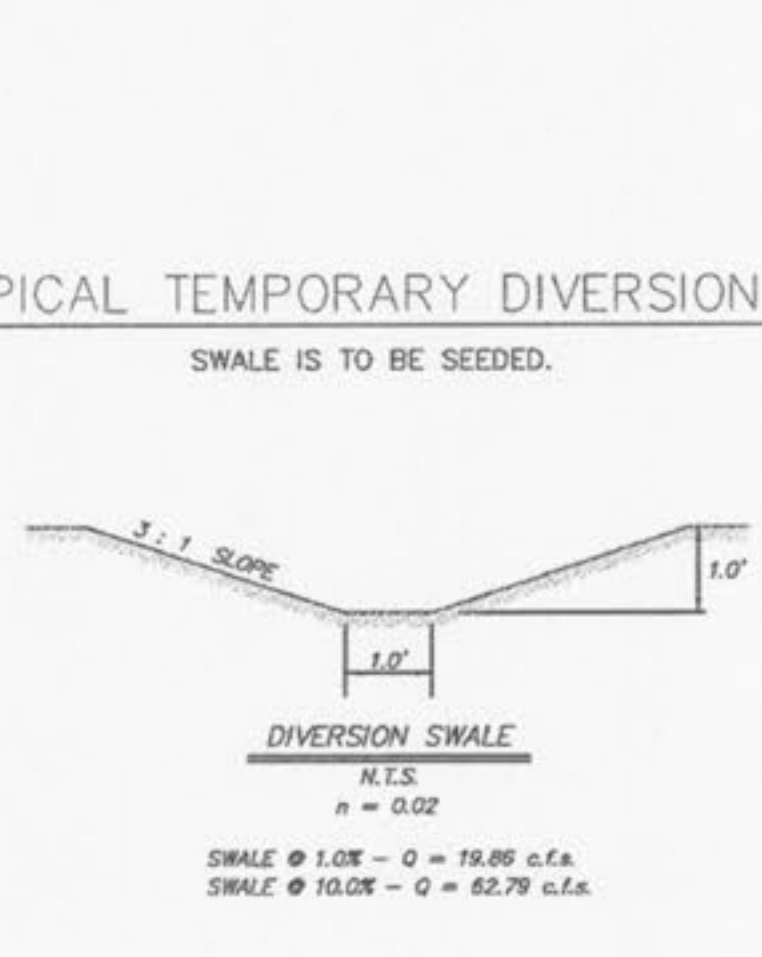
HYDROCALC Hydraulics for Windows, Version 1.2a Copyright (c) 1996  
Dodson & Associates, Inc., 5629 FM 1960 West, Suite 314, Houston, TX 77069  
Phone: (281) 440-3787, Fax: (281) 440-4742, Email: software@dodson-hydro.com  
All Rights Reserved.



**STRAW BALES TO BE USED AS INLET BARRIERS**



**TYPICAL TEMPORARY DIVERSION SWALE**  
SWALE IS TO BE SEEDED.



**GENERAL NOTES**

- Do not scale drawing. Follow dimensions.
- For longitudinal and transverse joints, dowel and tie bar requirements and curb dimensions not shown refer to the Pavement Construction Details for Joints and Curb, Std. Div. CS02.03.
- All necessary pavement markings shall be as required by Saint Charles County.
- For roadway cross slopes, pavement types and thickness refer to Standard Typical Sections.
- Permits will not be issued for building construction on lots abutting a temporary turnaround unless and until the turnaround is actually constructed and has been approved by the Department.
- The removal of the temporary turnaround surface, the restoration of the disturbed ground, and the extension of any sidewalk shall be the responsibility of the party(ies) that will be extending the street.
- The asphalt surface shall be compacted to 98% maximum density.

**SAINT CHARLES COUNTY**  
HIGHWAY DEPARTMENT  
ST. CHARLES, MISSOURI  
PAVEMENT CONSTRUCTION DETAILS  
RESIDENTIAL  
TEMPORARY TURNAROUND

DATE: June, 2002 DRAWING CS02.06

**TYPICAL TEMPORARY DIVERSION SWALE**

DESCRIPTION	PROGRAM INPUT DATA	VALUE
Flow Rate (cfs)	.....	3.92
Channel Bottom Slope (ft/ft)	.....	0.02
Manning's Roughness Coefficient (n-value)	.....	0.035
Channel Left Side Slope (horizontal/vertical)	.....	3.0
Channel Right Side Slope (horizontal/vertical)	.....	3.0
Channel Bottom Width (ft)	.....	1.0

DESCRIPTION	COMPUTATION RESULTS	VALUE
Normal Depth (ft)	.....	0.53
Flow Velocity (fps)	.....	2.94
Froude Number	.....	0.97
Velocity Head (ft)	.....	0.13
Energy Head (ft)	.....	0.72
Cross-Sectional Area of Flow (sq ft)	.....	1.62
Top Width of Flow (ft)	.....	4.13

HYDROCALC Hydraulics for Windows, Version 1.2a Copyright (c) 1996  
Dodson & Associates, Inc., 5629 FM 1960 West, Suite 314, Houston, TX 77069  
Phone: (281) 440-3787, Fax: (281) 440-4742, Email: software@dodson-hydro.com  
All Rights Reserved.

**SEE SHEET C5.0 FOR SECTION LOCATION**

USER: Jerald Wilson TAB: SITE 8  
DATE: December 1, 2010 3:11:30 PM  
DRAWING: S:\005\jw\10101010-0001-C00-DATA\PLAN DETAIL 10-0001.dwg

**PRESTON WOODS - PHASE 5**  
IMPROVEMENT PLANS  
PRESTON WOODS LANE  
O'FALLON, MO. 63366

**PRESTON WOODS TRAIL TEMP. TURNAROUND**  
SCALE: 1" = 20'

**COLE and ASSOCIATES INCORPORATED**  
1243 Tom Gimmever Avenue  
O'Fallon, Missouri 63366  
Phone: (636) 978-7508 F: (636) 978-7509

**SAINT CHARLES COUNTY**  
HIGHWAY DEPARTMENT  
ST. CHARLES, MISSOURI  
PAVEMENT CONSTRUCTION DETAILS  
RESIDENTIAL  
TEMPORARY TURNAROUND

DATE: June, 2002 DRAWING CS02.06

**SEE SHEET C5.0 FOR SECTION LOCATION**

DESIGN/CALC BY JKW  
DRAWN BY JKW  
CHECKED BY JTR  
DRAWING SCALE

DATE 11/03/10  
Job Number 10-0038  
Sheet Number C8.8

**PRESTON WOODS TRAIL TEMP. TURNAROUND**  
SCALE: 1" = 20'