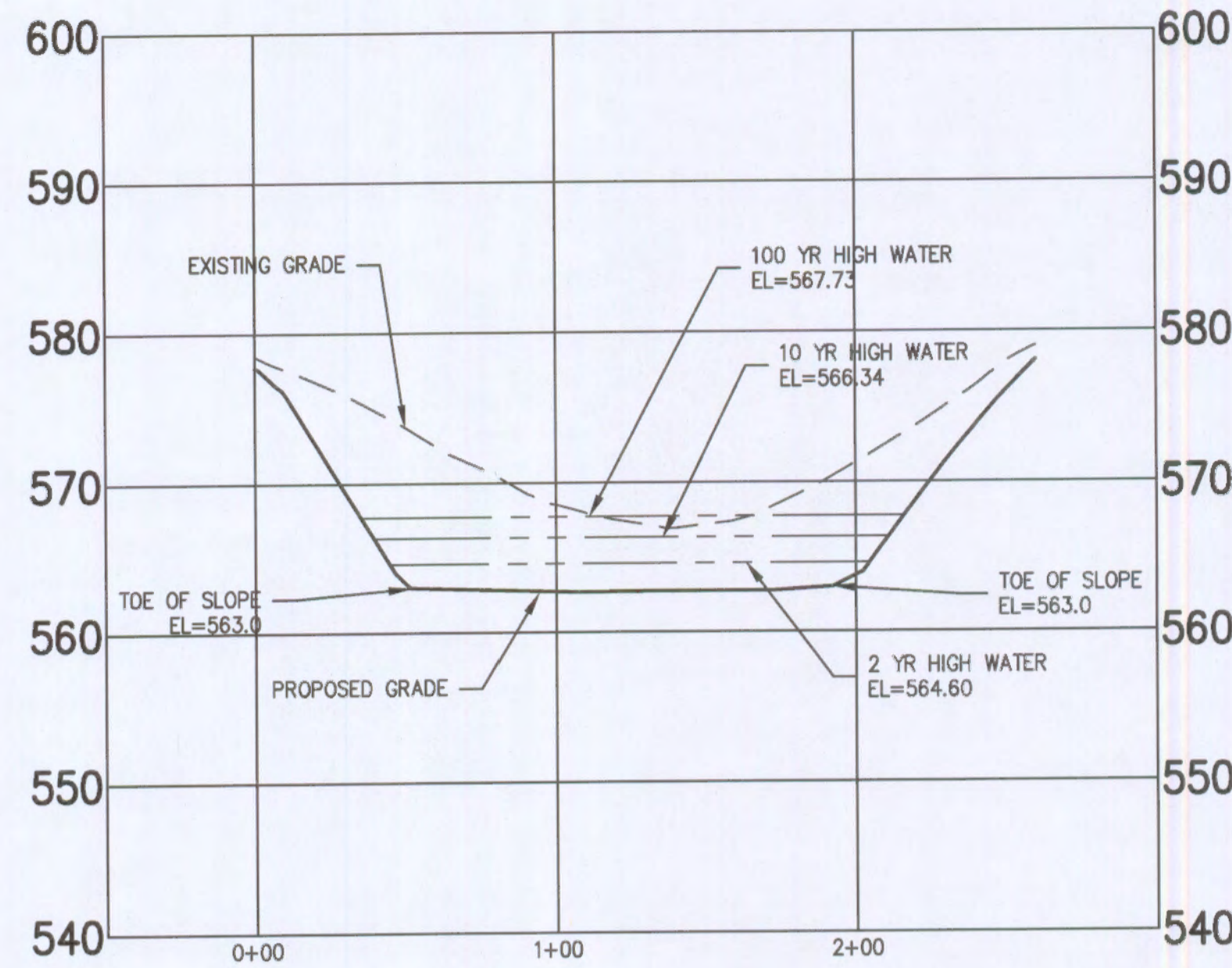
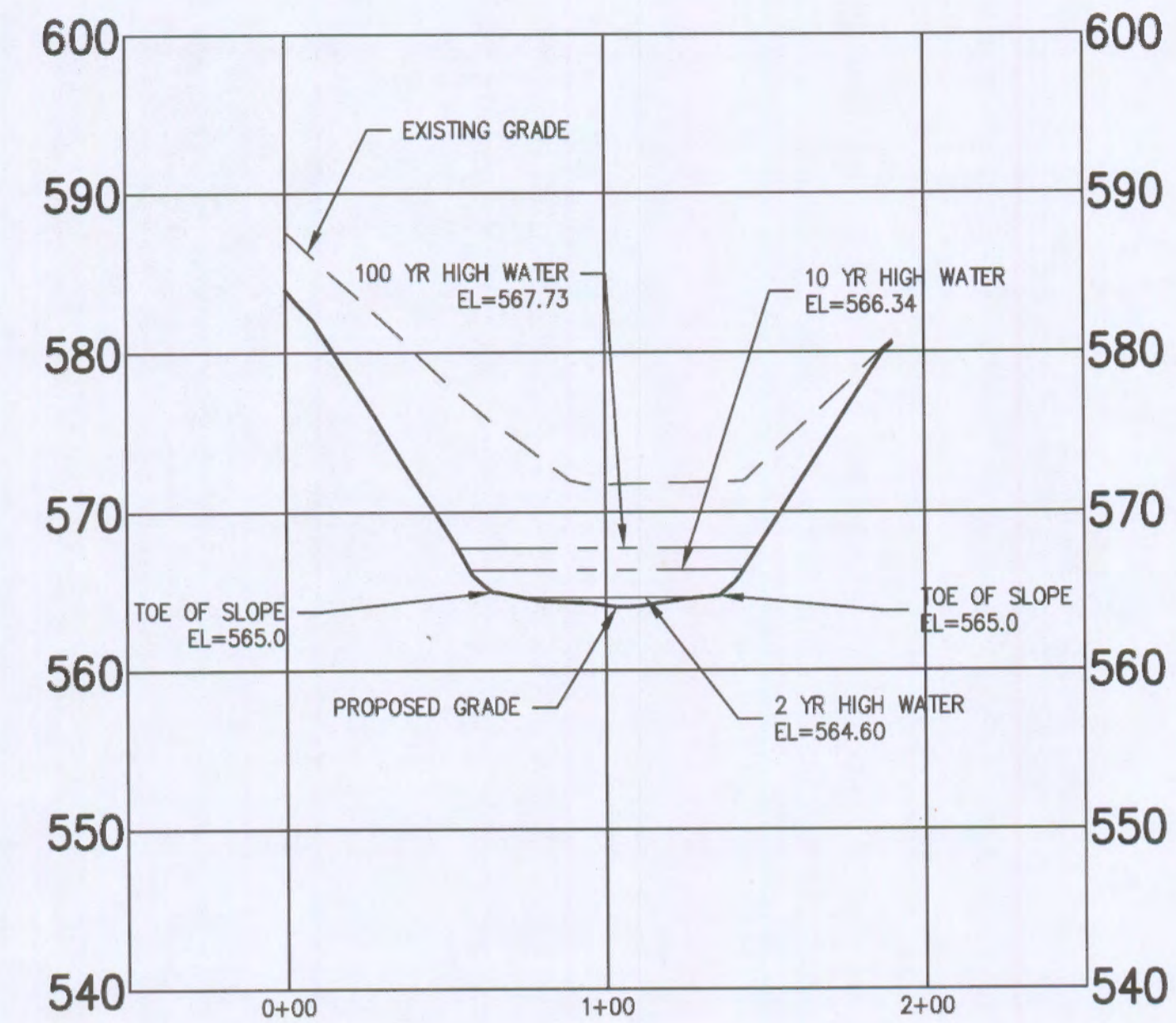


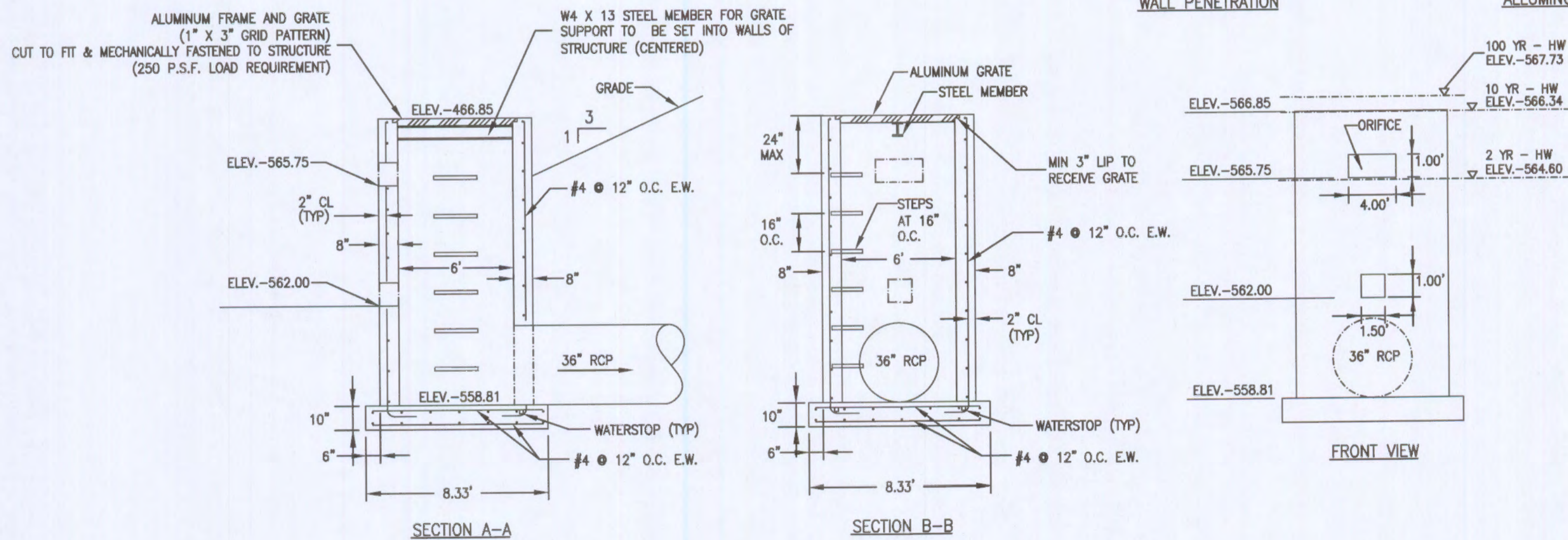
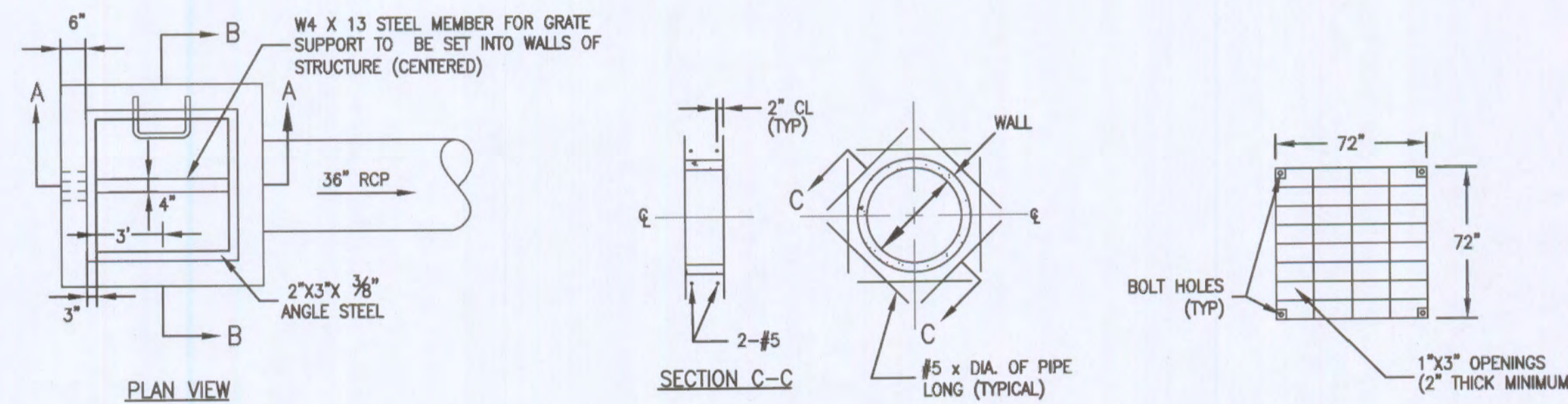
6 DETENTION BASIN A A-A
SCALE: 1"=50' HORIZ. 1"=10' VERT. REF. DWG.



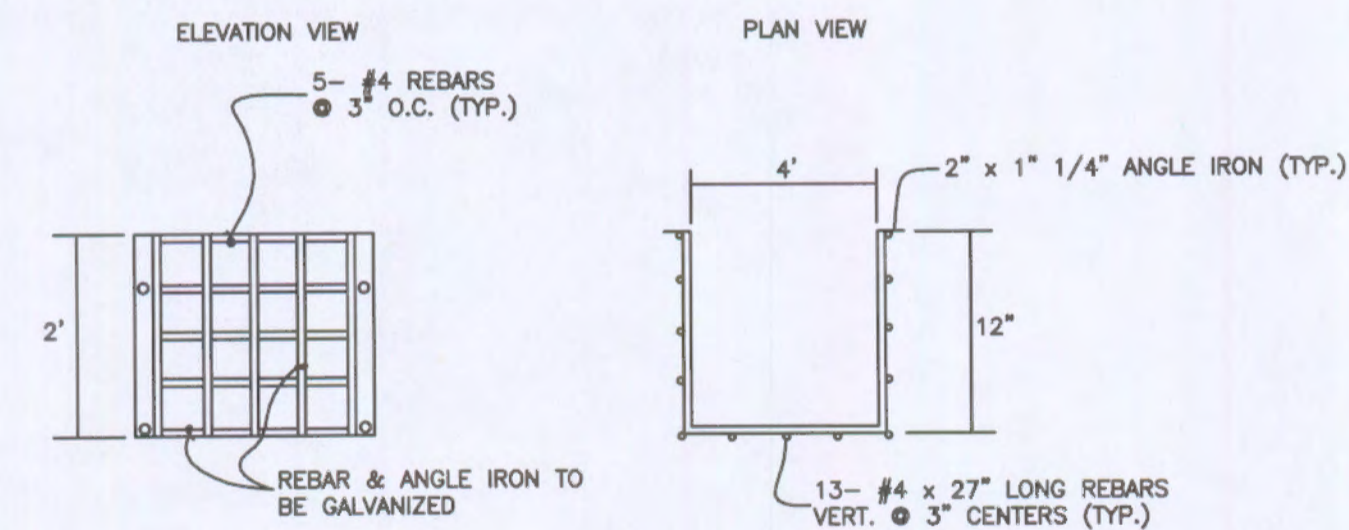
5 DETENTION BASIN A B-B
SCALE: 1"=50' HORIZ. 1"=10' VERT. REF. DWG.



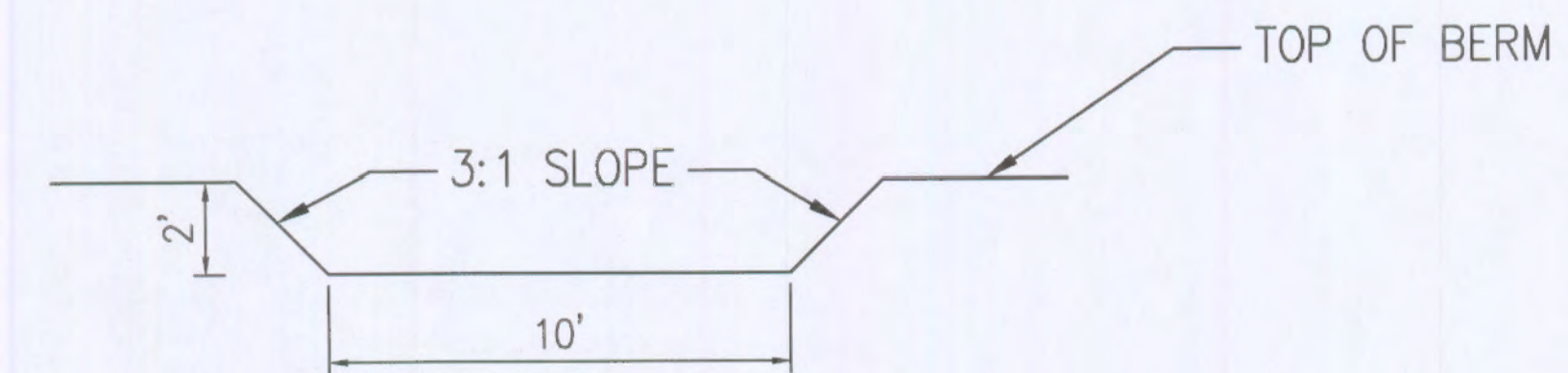
4 DETENTION BASIN A C-C
SCALE: 1"=50' HORIZ. 1"=10' VERT. REF. DWG.



3 OVERFLOW STRUCTURE A DETAIL
SCALE: 1"=50' HORIZ. 1"=10' VERT. REF. DWG.



2 LOW OPENING TRASH RACK DETAIL
SCALE: REF. DWG.



1 EMERGENCY SPILLWAY DETAIL
SCALE: REF. DWG.

NO.	REVISION DESCRIPTION	DATE
1	CITY USE	11/25/2013
2	CHANGING	10/10/2013

DEVELOPER/OWNER:
PULTE GROUP
16640 CHESTERFIELD GROVE, STE 200
CHESTERFIELD, MO 63305
PHONE: (636) 537-7129

CIVIL ENGINEERS
CORPORATE
EXPERIENCE
PROFESSIONAL
REGISTERED
ENGINEERS
STATE OF MISSOURI
NO. 001185
JOHN F. COLE
REGISTERED PROFESSIONAL
ENGINEER
NO. 002-29716
DATE: 11/20/13

PRESTON WOODS
PHASE 6
IMPROVEMENT PLANS
CREATION WOODS LANE
O'FALLON, MO 63396

BASIN A CROSS SECTION

+ ST. CHARLES
1520 S. Fifth Street
Suite 307
St. Charles, MO 63303
636.976.2508 fax
636.976.2508 tel

cole
CIVIL ENGINEERING / SURVEYING / PLANNING / LANDSCAPE ARCHITECTURE
Cole & Associates, Inc.

DESIGN/CALC BY	RJG
DRAWN BY	RJG
CHECKED BY	TCA
DRAWING SCALE	NOT TO SCALE
DATE	09/04/2013
Job Number	13-0054
Sheet Number	C8.11