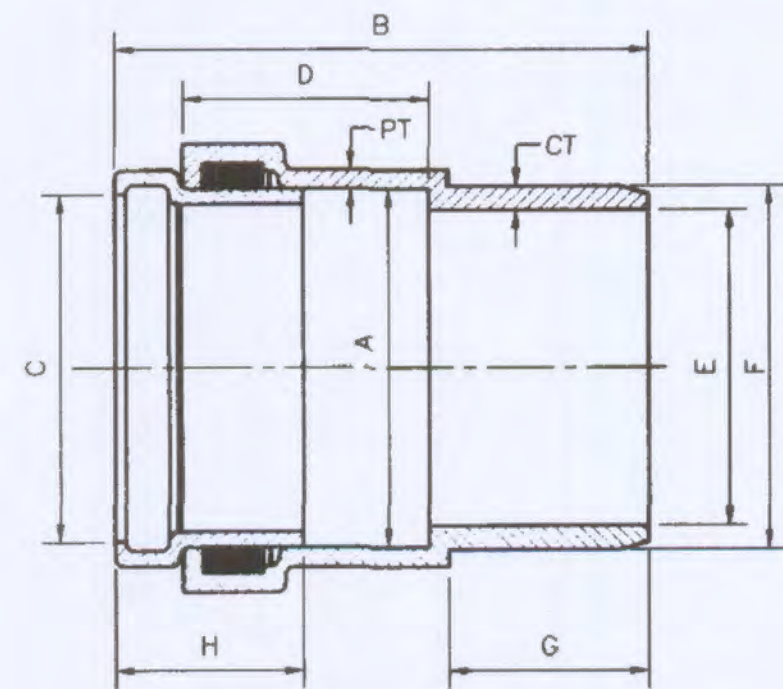


SDR-35 x C900
BELL x SPIGOT ADAPTERS

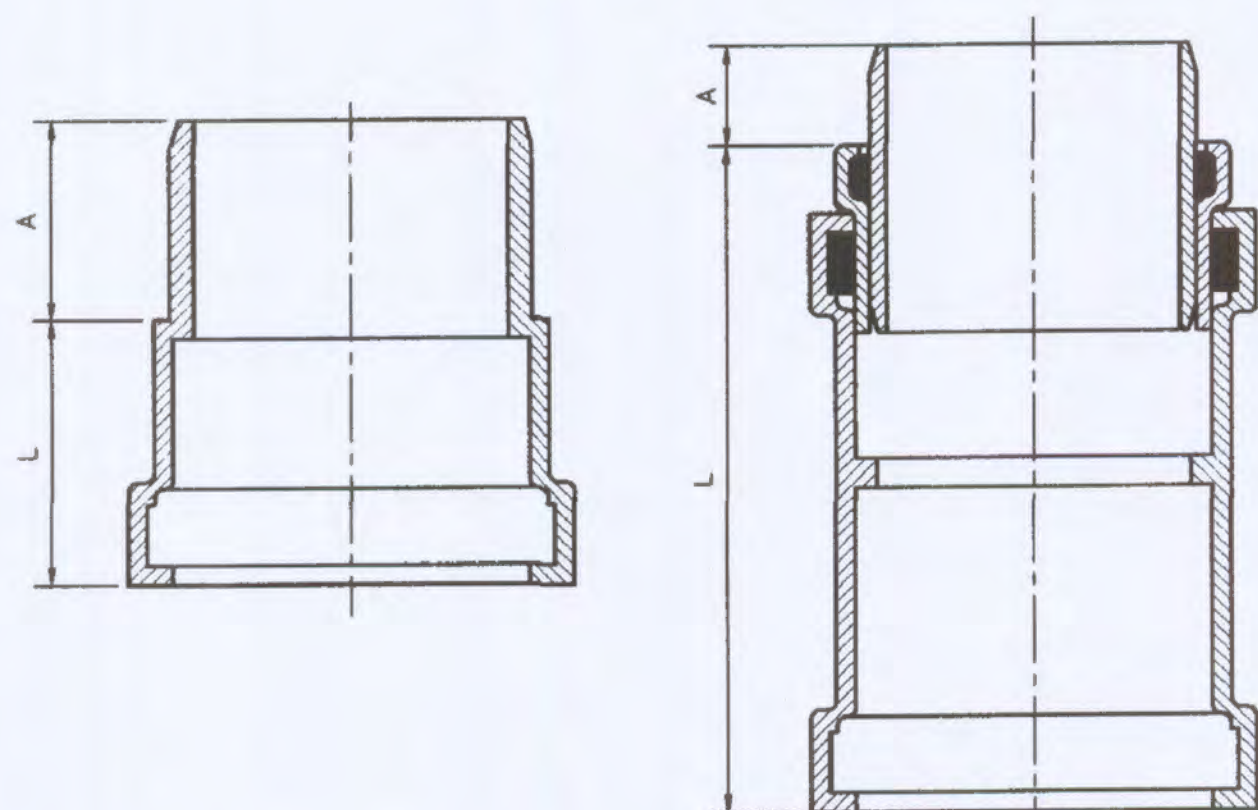


SIZE	CATALOG NO.	A	B	C	D	E	F	G	H	CT	PT
4"	334-040	4.56	8.23	4.25	4.10	3.94	4.80	2.72	2.7	.32	.25
6"	334-060	6.68	9.93	6.31	4.57	5.88	6.90	3.72	3.5	.45	.36

Duckett Creek Sanitary District

SDR-35 x C900
BELL AND SPIGOT
ADAPTERS
Dwn By: BSM App By: KLA Detail No. 19A
Cld By: MDOB Date: 1-3-01

SDR-35 x C900
BELL x SPIGOT ADAPTERS

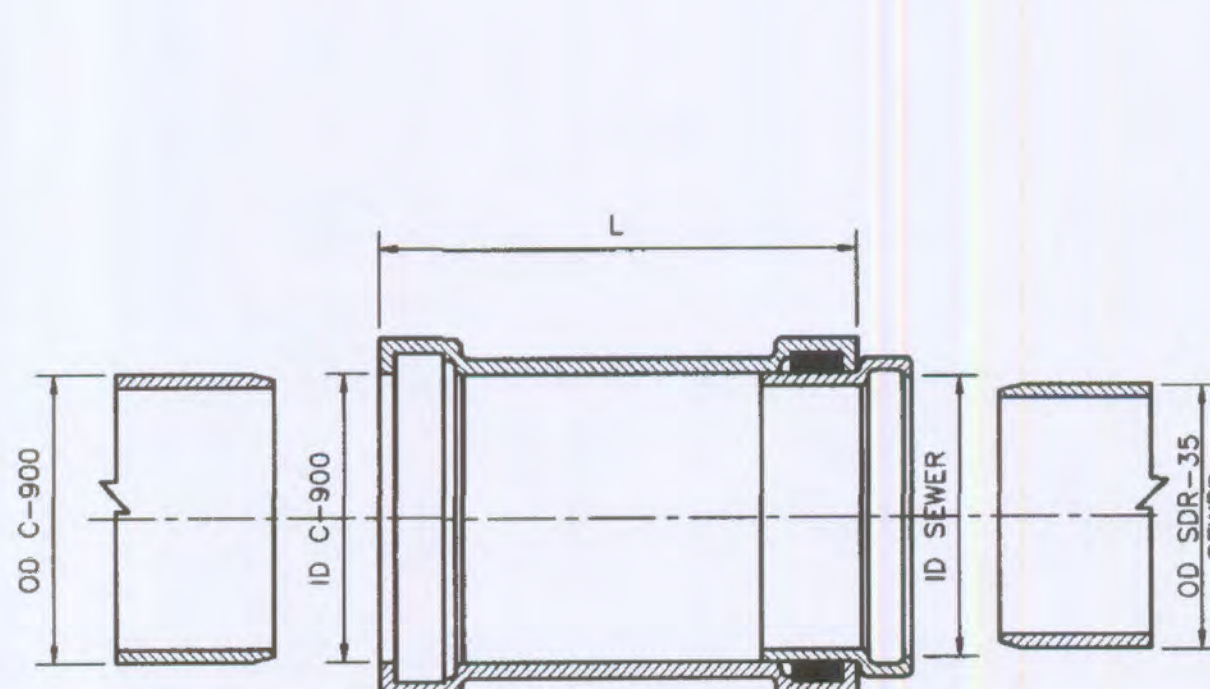


SIZE	CATALOG NO.	A	L	STYLE
4"	335-040	3.2	10.0	FABRICATED
6"	335-060	2.9	3.5	HARCO
8"	335-080	4.0	12.5	FABRICATED

Duckett Creek Sanitary District

SDR-35 x C900
BELL AND SPIGOT
SPECIAL 4", 6" & 8" ADAPTERS
Dwn By: BSM App By: KLA Detail No. 19B
Cld By: MDOB Date: 1-3-01

SDR-35 x C900
BELL x BELL ADAPTERS

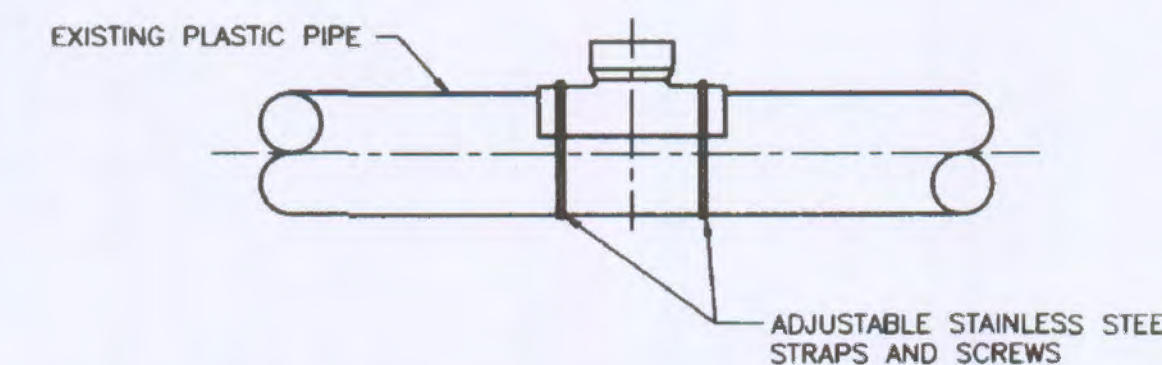


SIZE	CATALOG NO.	OD C900	OD SEWER	ID C900	ID SEWER	L	CTN QTY	CTN WT
4x4	337-040	4.80	4.215	4.86	4.25	10.0	1	4
6x6	337-060	6.90	6.275	6.96	6.32	11.13	1	8
8x8	337-080	9.05	8.400	9.13	8.45	12.50	1	15

Duckett Creek Sanitary District

SDR-35 x C900
BELL AND BELL
4", 6" & 8" ADAPTERS
Dwn By: BSM App By: KLA Detail No. 19C
Cld By: MDOB Date: 1-3-01

PLASTIC SADDLE TEE OR WYE FITTING
(SOLVENT WELD)



WHEN CONNECTION TO A PLASTIC PIPE IS ALLOWED AND A CONNECTION IS LARGER THAN 6" IN DIAMETER, A SOLVENT WELD WYE OR TEE FITTING OF A SIMILAR MATERIAL MUST BE USED. (EXAMPLE: 10" x 8")

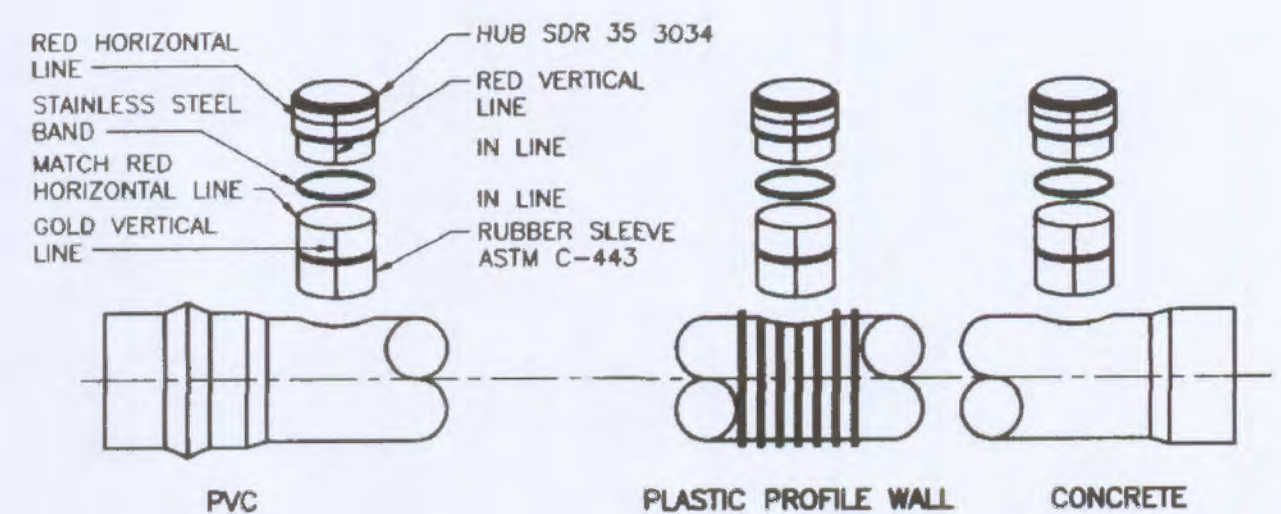
THIS IS ACCOMPLISHED BY CAREFULLY CUTTING A HOLE WITH A SAW IN THE MAIN AT THE REQUIRED LOCATION AFTER CUTTING AND SHAPING THE HOLE TO THE SIZE OF THE FITTING. THE FOLLOWING STEPS SHOULD BE TAKEN.

- CLEAN AND DRY BOTH INSIDE THE SADDLE WYE SURFACE AND PIPE SURFACE TO BE SOLVENT CEMENTED.
- IMPORTANT: APPLY A LIBERAL, HEAVY COAT OF ONE-STEP SOLVENT CEMENT TO THE INSIDE SURFACE OF THE SADDLE WYE AND TO THE EXTERIOR WELDING SURFACE TO THE PIPE.
- WITHOUT DELAY, MATE THE SURFACES AND STRAP DOWN TIGHTLY. A BEAD OF SOLVENT SHOULD APPEAR AFTER THE SADDLE HAS BEEN STRAPPED DOWN TIGHTLY.
- USING A RAG OR PAPER TOWEL, WIPE BEAD AND ANY EXCESS SOLVENT CEMENT OFF PIPE AND SADDLE.
- ALLOW 30-60 MINUTES FOR SET-UP TIME BEFORE BACKFILLING. CURE TIME DEPENDS ON SIZE FIT OF MATERIALS BEING INSTALLED AND VARIOUS COLD DAMP CONDITIONS.
- DISCARD OLD SOLVENT IF IT BECOME JELLED OR LUMPY.
- A CLEAN, DRY BEDDING MATERIAL IS REQUIRED AROUND THE COMPLETED CONNECTION BEFORE BACKFILLING. THE BEDDING MATERIAL SHOULD BE ONE OF THE FOLLOWING.
 - A TO 3 CEMENT TO SAND MIX
 - "PRE-MIX" CONCRETE
 - DCSD APPROVED BEDDING FOR SANITARY SEWERS.

Duckett Creek Sanitary District

8" & LARGER
CONNECTION TO
PLASTIC MAIN
Dwn By: BSM App By: KLA Detail No. 20A
Cld By: MDOB Date: 1-4-01

INSERTA TEE
THE USE OF AN INSERTA TEE
REQUIRES DISTRICT APPROVAL.

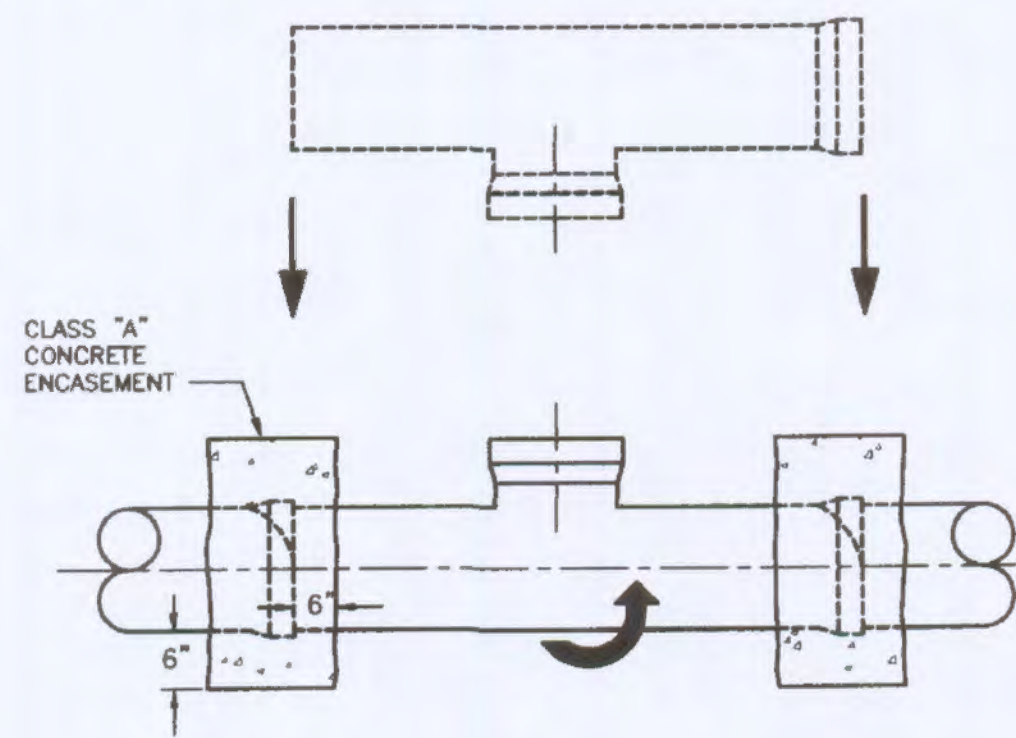


INSTALLATION PROCEDURE:

- CORE THE PROPER SIZE HOLE. TEE SIZE: 4" 6" 8" 10" 12" 15" BIT SIZE: 4 1/4" 6 1/4" 8 1/4" 10 1/4" 12 1/4" 15 1/4"
- INSERT THE RUBBER SLEEVE (1) IN THE CORED HOLE WITH THE GOLD VERTICAL LINE ON THE RUBBER SLEEVE (2) FACING TO THE SIDE OF THE MAIN LINE. THE UPPER SEGMENT SHOULD BE ON TOP OF THE WALL OR RIB AND THE LOWER SEGMENT (PVC, PROFILE WALL, AND POLYETHYLENE PIPE ONLY) SHOULD BE ON THE INSIDE OF THE PIPE.
- APPLY THE INSERTA TEE SOLUTION SUPPLIED TO THE INSIDE OF THE RUBBER SLEEVE AND TO THE OUTSIDE OF THE PVC HUB ADAPTER. CAUTION - DO NOT USE AN OIL BASED LUBRICANT.
- PLACE THE PVC HUB ADAPTER (3) INTO THE RUBBER SLEEVE. MAKE SURE THAT THE RED VERTICAL LINE (4) ON THE PVC HUB ADAPTER IS IN LINE WITH THE GOLD VERTICAL LINE (5) ON THE RUBBER SLEEVE.
- PLACE THE 2x4 BOARD ON TOP OF THE PVC HUB ADAPTER.
- THE RED HORIZONTAL LINE (6) AT THE TOP OF THE HUB ADAPTER IS A DEPTH MARK. THIS TELLS THE INSTALLER HOW FAR TO DRIVE THE ADAPTER INTO THE RUBBER SLEEVE. DRIVE THE PVC HUB ADAPTER INTO THE RUBBER SLEEVE TO WHERE THE HORIZONTAL RED LINE (6) ON THE PVC HUB ADAPTER (3) MEETS THE TOP OF THE RUBBER SLEEVE (6).
- PLACE THE STAINLESS STEEL BAND (7) AROUND THE TOP OF THE RUBBER SLEEVE AND TIGHTEN DOWN.
- INSTALL PIPE IN NORMAL MANNER.

Duckett Creek Sanitary District

INSERTA TEE
DETAILS AND
SPECIFICATIONS
Dwn By: BSM App By: KLA Detail No. 20B
Cld By: MDOB Date: 1-4-01

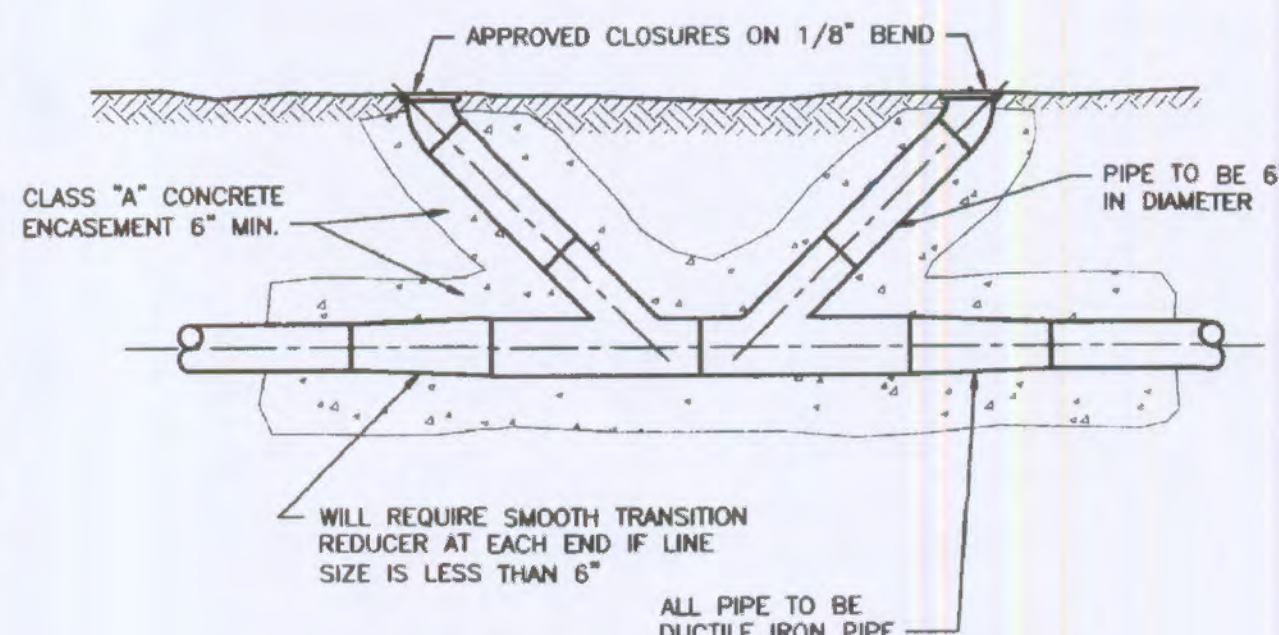


NOTES:

- WHEN A CONNECTION IS ALLOWED LARGER THAN 6" DIAMETER A SADDLE MAY BE USED IF THE I.D. OF THE CONNECTION PIPE IS NOT GREATER THAN ONE HALF (1/2) OF THE I.D. OF THE MAIN SEWER. (EXAMPLE: 24" x 10")
- IF THE I.D. OF THE CONNECTION PIPE IS GREATER THAN ONE HALF (1/2) THE I.D. OF THE MAIN SEWER THE WYE OR TEE MUST BE "ROLLED IN". (EXAMPLE: 15" x 8")
- THIS IS ACCOMPLISHED BY BREAKING AWAY AND REMOVING ONE SECTION OF PIPE. THE TOP HALF OF THE BELL ON THE PIPE LYING ADJACENT TO THE GAP IS CAREFULLY BROKEN OFF. THE TOP HALF OF THE BELL ON THE MAIN REPLACEMENT SECTION (WITH A "TEE" WYE) FITTING IS ALSO BROKEN OFF. THE REPLACEMENT PIPE IS THEN PLACED IN THE LINE GAP WITH THE STUB POINTED IN THE WRONG DIRECTION. THE BROKEN BELLS ON THE REPLACEMENT AND ADJOINING PIPE MAKE IT POSSIBLE FOR THE REPLACEMENT SECTION TO FIT INTO THE SEWER LINE WITHOUT DISTURBING THE ADJOINING PIPE SECTIONS. THE REPLACEMENT SECTION IS THEN ROTATED TO THE DESIRED POSITION AND THE BROKEN BELLS ARE ENCASED WITH A 6" CLASS "A" CONCRETE ENCASEMENT.
- ID OF MAIN SEWER SHALL NOT BE DECREASED BY A ROLL-IN CONNECTION.

Duckett Creek Sanitary District

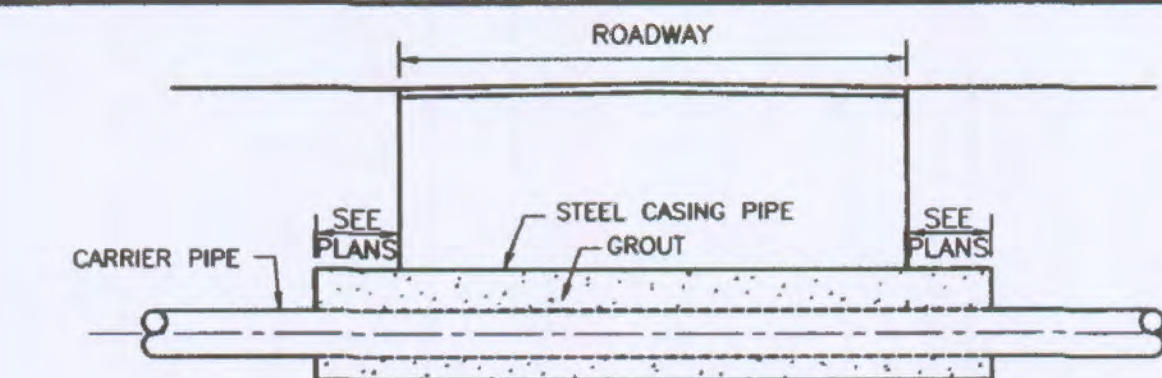
"ROLL-IN"
(FOR EXISTING
CLAY OR CONCRETE PIPE)
Dwn By: BSM App By: KLA Detail No. 21
Cld By: MDOB Date: 1-5-01



1800' MAXIMUM SPACING

Duckett Creek Sanitary District

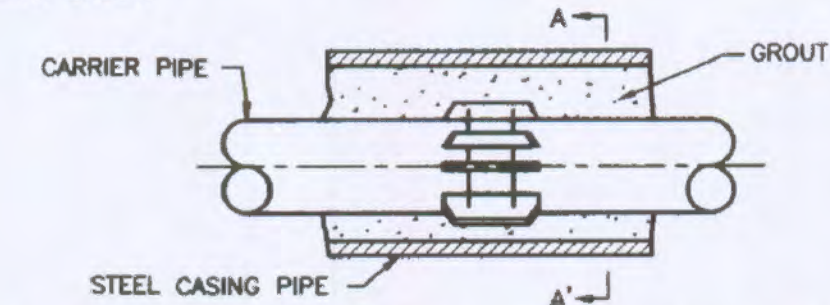
FORCE MAIN
CLEANOUT
(6" DIA. & SMALLER)
Dwn By: BSM App By: KLA Detail No. 22
Cld By: MDOB Date: 1-5-01



BORING DETAIL

NOTES:

- INSIDE DIAMETER OF CASING PIPE TO BE MINIMUM OF 4" GREATER THAN COUPLING DIAMETER OF CARRIER PIPE.
- ENCASEMENTS TO BE INSTALLED UNDER THE ROAD BY MEANS OF JACKING IT THROUGH, OR BY DRY BORING A HOLE THAT WILL RECEIVE THE CASING WITH A SNUG FIT.
- THE OUTSIDE DIAMETER OF THE CASING SHALL NOT BE LESS THAN, NOR MORE THAN ONE INCH GREATER THAN THE BORED HOLE.
- THE ANNULAR SPACE BETWEEN THE CASING PIPE AND THE BORED HOLE SHALL BE FILLED WITH GROUT.



SUPPORT OF CARRIER PIPE OR FORCE MAIN IN CASING

SECTION A-A'

Duckett Creek Sanitary District

ROADWAY
BORING
DETAIL
Dwn By: BSM App By: KLA Detail No. 23
Cld By: MDOB Date: 1-5-01

PRESTON WOODS
PHASE 6
IMPROVEMENT PLANS
PRESTON WOODS LANE
O'FALLON, MO 63366

ST. CHARLES
1520 E. Fifth Street
Suite 307
St. Charles, MO 63303
636.978.7508 fax
636.978.7508 tel

COLE
CIVIL ENGINEERING / SURVEYING / PLANNING / LANDSCAPE ARCHITECTURE
Cole & Associates, Inc.

DESIGN/CALC BY: RJG
DRAWN BY: RJG
CHECKED BY: TCA
DRAWING SCALE: NOT TO SCALE
DATE: 09/04/2013
Job Number: 13-0054
Sheet Number: C8.8

DEVELOPER/OWNER: RULTE GROUP
16840 CHESTERFIELD GROVE, SITE 200
CHESTERFIELD, MO 63005
PHONE: (636) 537-7129

THE PROFESSIONAL ENGINEER'S SEAL APPEARS HEREON IN CONNECTION WITH THIS PROJECT. THE ENGINEER'S RESPONSIBILITY IS LIMITED TO THE DESIGN AND CONSTRUCTION OF THE PROJECT AS SHOWN ON THESE PLANS. THE ENGINEER DOES NOT ASSUME RESPONSIBILITY FOR ANY OTHER WORK OR FOR ANY OTHER PARTS OF THE PROJECT TO WHICH THIS ENGINEER'S SEAL IS NOT APPLIED.

DATE: 11/25/2013
10/19/2013
1

CIVIL ENGINEERS
CORPORATE
ENGINEERING
CERTIFICATE
NO. 11110
STATE OF MISSOURI
REGISTERED PROFESSIONAL ENGINEER
JOHN F. HARTSHORNER
NUMBER E-29716
DATE: 11/24/13